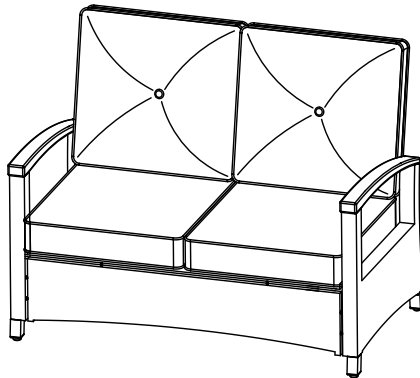


# MANUAL INSTRUCTION

2-Seat Sofa With Wooden Armrests



## **ATTENTION**

1. Please check the parts list and hardware list carefully to ensure you've received all the parts.
2. Be sure not to overtighten during installation, and never tighten all screw components until they are all installed on each seat.
3. If there are any missing parts, please contact us with the missing part and the missing part number, we'll resend them to you ASAP.
4. If there are any damaged parts, please contact us with clear pictures or videos. We will offer you the best solution after confirming the issue.

## **⚠️ WARRANTY AND RETURN**

1. We offer a 1-year warranty and free replacement for any damaged or defective parts you receive. Please check the condition of your package upon delivery.
2. If you have any questions, please contact our customer service immediately.

## TOOLS REQUIRED



ALLEN WRENCH  
(WITH THE PRODUCT)



DO not use machine



2 Persons  
Assembly



Minimum  
60 Minutes  
For Assembly

## How To Cover Holes & Repair Broken Wicker

You can use two pieces PE wicker to cover the hole, and repeat the steps to cover all the holes. These PE wicker can also be used to repair the scratch or broken wicker.



Step 1



Step 2

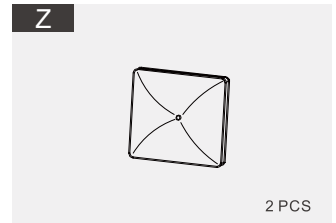
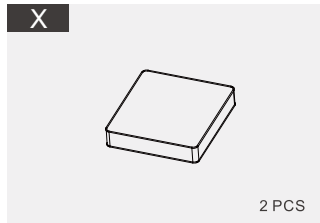
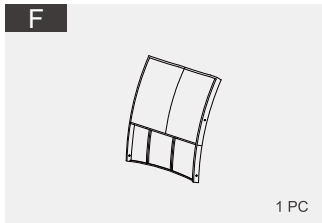
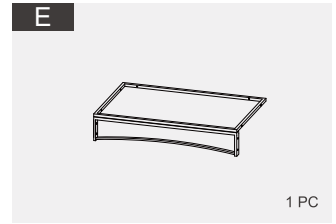
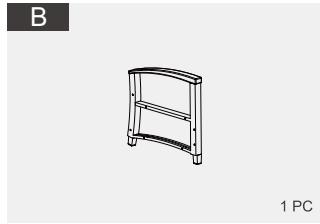
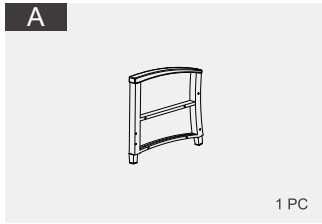


Step 3

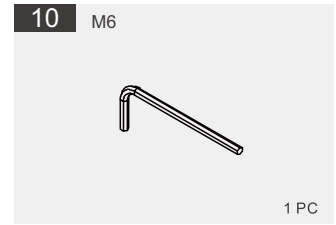
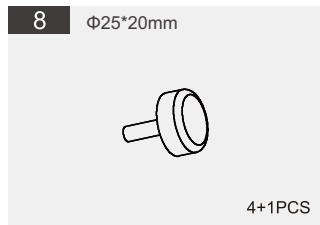
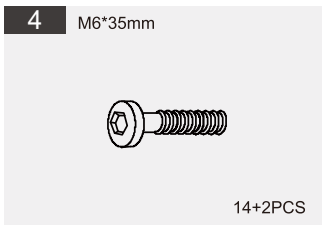


Step 4

# PARTS Packing List of the Box



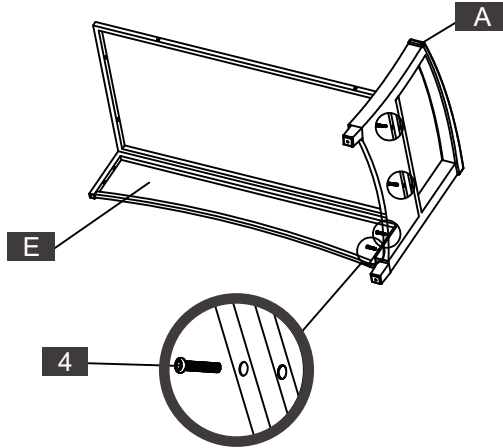
# HARDWARE



# I PRODUCT ASSEMBLY

## 2-Seat Sofa Assembly

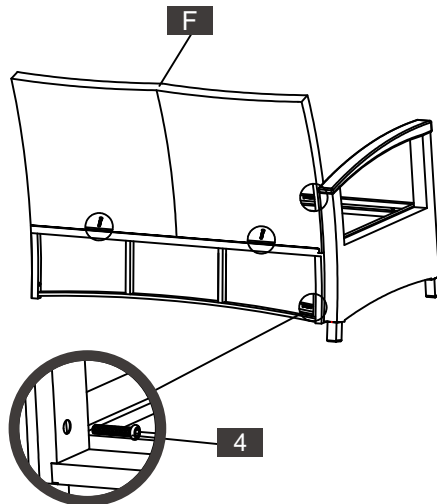
1



DO not use machine

PART	NO.	QTY.	PART	NO.	QTY.
	A	1		E	1
	4	4			

2

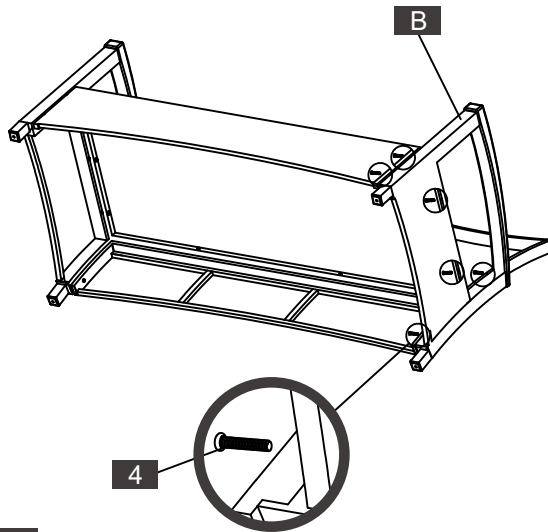


PART	NO.	QTY.
	F	1
	4	4



# I PRODUCT ASSEMBLY

## 2-Seat Sofa Assembly

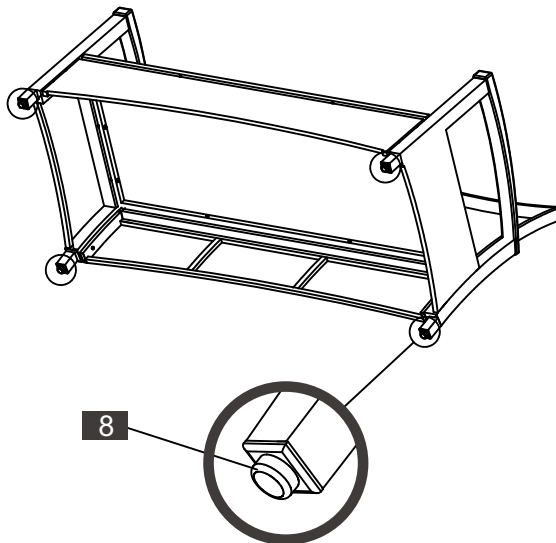
3




DO not use machine

PART	NO.	QTY.
	B	1
	4	6

4



PART	NO.	QTY.
	8	4

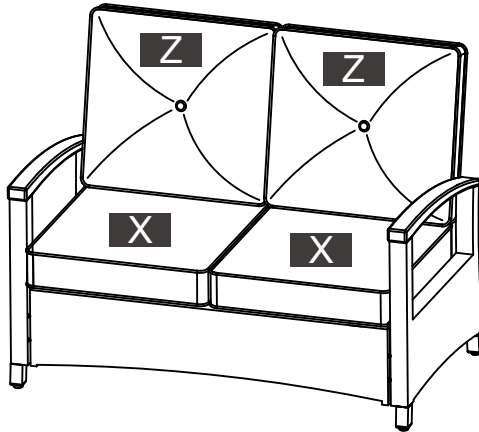
# I PRODUCT ASSEMBLY



## 2-Seat Sofa Assembly

5



DO not use machine



PART	NO.	QTY.
	X	2
	Z	2