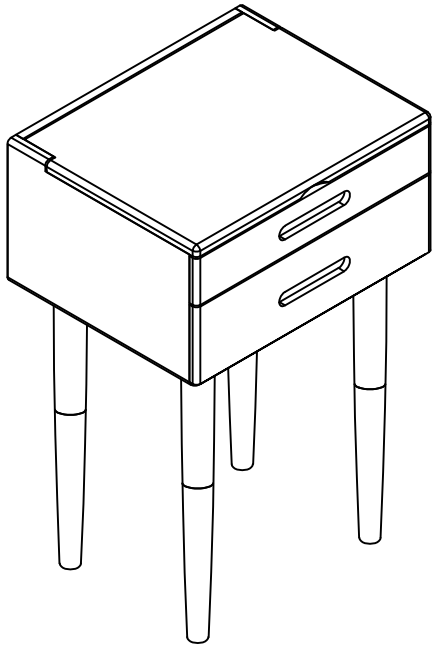


ASSEMBLY INSTRUCTIONS

Model Vanity Desk with Lighted Mirror 50CM

CAUTION: "Installed" in the parts and hardware lists indicates that the item is already pre-installed in the finished product and is not included in the hardware bag.



Part List

No.	Description	Pic	Dimension	Qty
1	Cabinet		500*400*260MM	1
2	Table Leg		80*80*277MM ø45*243MM	1
3	Table Leg		80*80*277MM ø45*243MM	1
4	Table Leg		80*80*277MM ø45*243MM	1
5	Table Leg		80*80*277MM ø45*243MM	1
6	Upper Drawer		500*250*86MM	1
7	Lower Drawer		500*250*150MM	1
8	Glass Top		473*238*4MM	1

IMPORTANT: Before assembly, check that all parts and hardware match the instructions. If anything is missing or damaged, contact us immediately, and we'll respond within 24 hours.

Hardware List

No.	Description	Pic	Dimension	Qty
A	Hex Socket Bolt		M6*25MM	16
B	Hex Key Wrench		M4*57MM (with a cross on one end)	1
C	Adjustable Leveling Foot (Installed)		M6*ø19MM	4
D	Anti-Tip Kit	D1		2
		D2	M3.5*14MM	2
		D3	M4*35MM	2
		D4	ø8*30MM	2

Note: For safety, an anti-tip kit is included, but its use is optional. The dresser can be used without it.

This product undergoes thorough wood and paint inspections, fully meeting national quality standards. It is shipped only after confirming that the packaging is intact. We welcome your feedback to help us improve our products and services.

Product Type	Wood Furniture	Required for Assembly
Quality Certification	Passed	
Grade	Class 1	

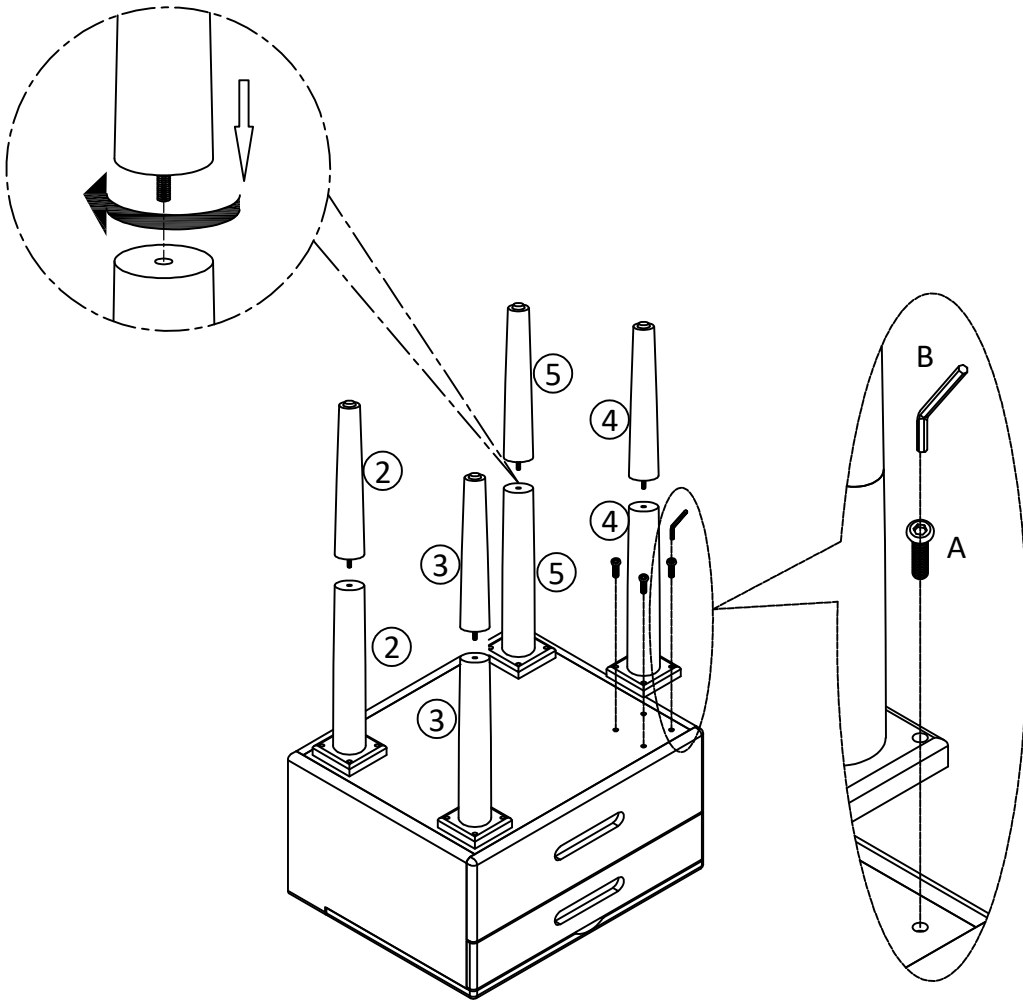
Model: Vanity Desk 012 with Lighted Mirror 50CM

Step 1 (Steps 1–2 cover standard assembly)

Align and tighten the screws between the upper and lower parts of #2, #3, #4, and #5.

Then, attach the assembled legs to the cabinet using hardware A/B/ as shown.

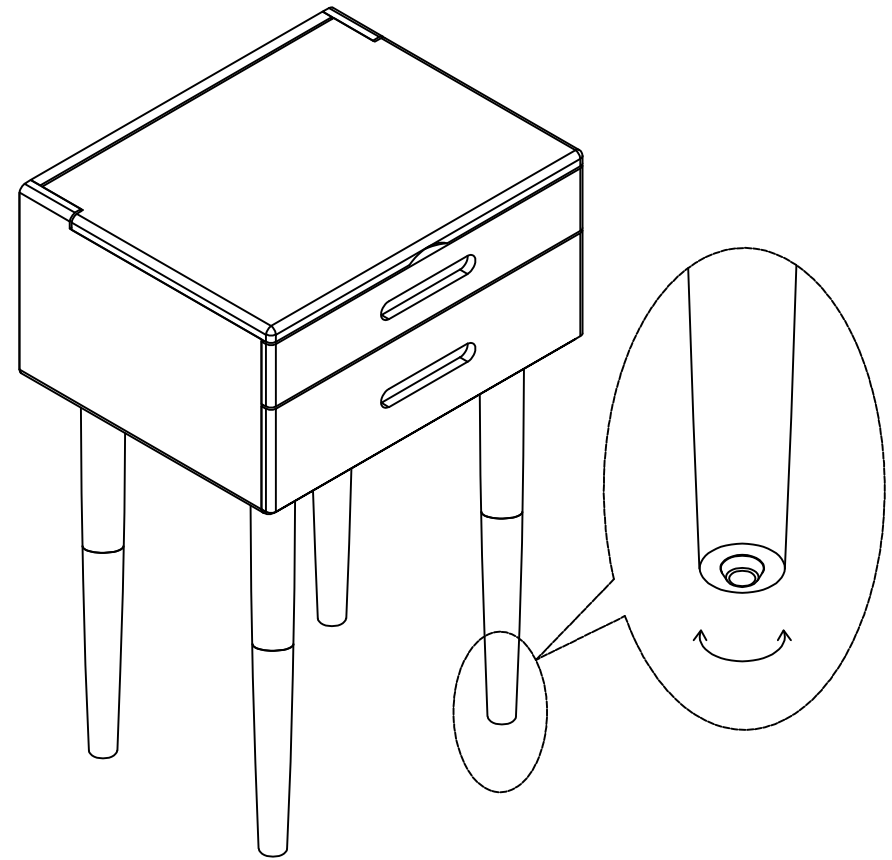
Note: Pair legs with matching numbers (upper and lower) for assembly.



Step 2

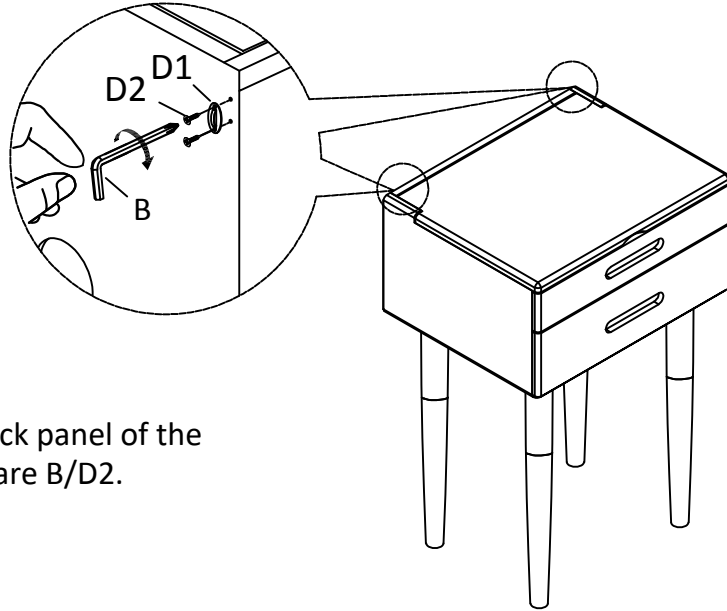
If the tabletop is uneven, adjust the Hardware C adjustment feet at the bottom of the legs to level the vanity desk.

If the anti-tip kit is not needed, the assembly is complete.



Model: Vanity Desk 012 with Lighted Mirror 50CM

Step 3 (Steps 3–5 are for installing the anti-tip kit)

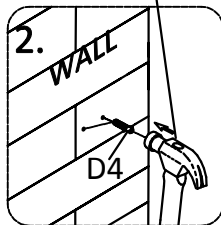
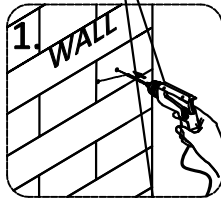


Attach D1 to the back panel of the cabinet with hardware B/D2.

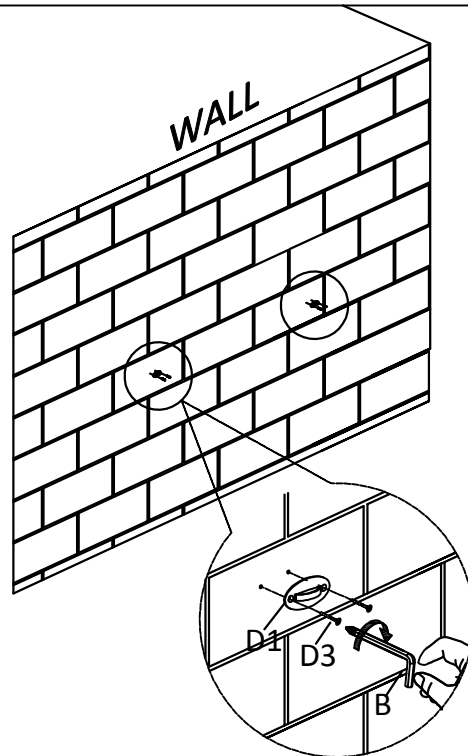
Step 4

Drill holes in the wall (drill not included) and insert hardware D4 into the holes.

NOT PROVIDED



Then, use hardware B/D3 to attach D1 to D4, securing it to the wall.



Step 5

Connect the D1 mounted on the wall to the D1 on the back panel of the cabinet to complete the assembly.

