

NOTICE

- * Please make sure that you have all parts indicated and they are in good condition before you begin assembly of this item. Refer to part list and hardware list below for guidance.
- * This item should be assembled on a soft surface to prevent scratching the finish during assembly.
- * This item may require periodic tightening.
- * If you are having difficulty, our friendly Customer Care team is always here to help.

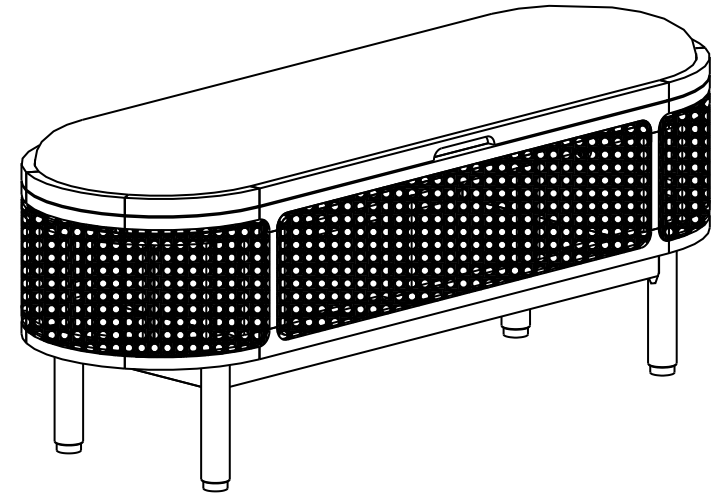
PREPARATION

- * Before beginning assembly of product, make sure all parts are present. Compare parts with part contents list and hardware contents list.
- * If any part is missing or damaged, do not attempt to assemble the product.
- * Estimated Assembly Time: 10 minutes.
- * Tools Required for Assembly (included): Allen Key

CARE AND MAINTENANCE

- * Spot clean using a mild water-free solvent. Only a professional cleaner should undertake a complete overall cleaning.
- * Cane is a natural material that will soften and fray over time.

Product Dimensions: 47.24"W x 15.35" D x 18.57"H



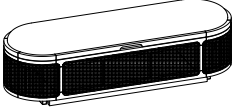





⚠ WARNING ⚠

Weight capacity: 275LBS

Warning: DO NOT STAND ON STORAGE BENCH

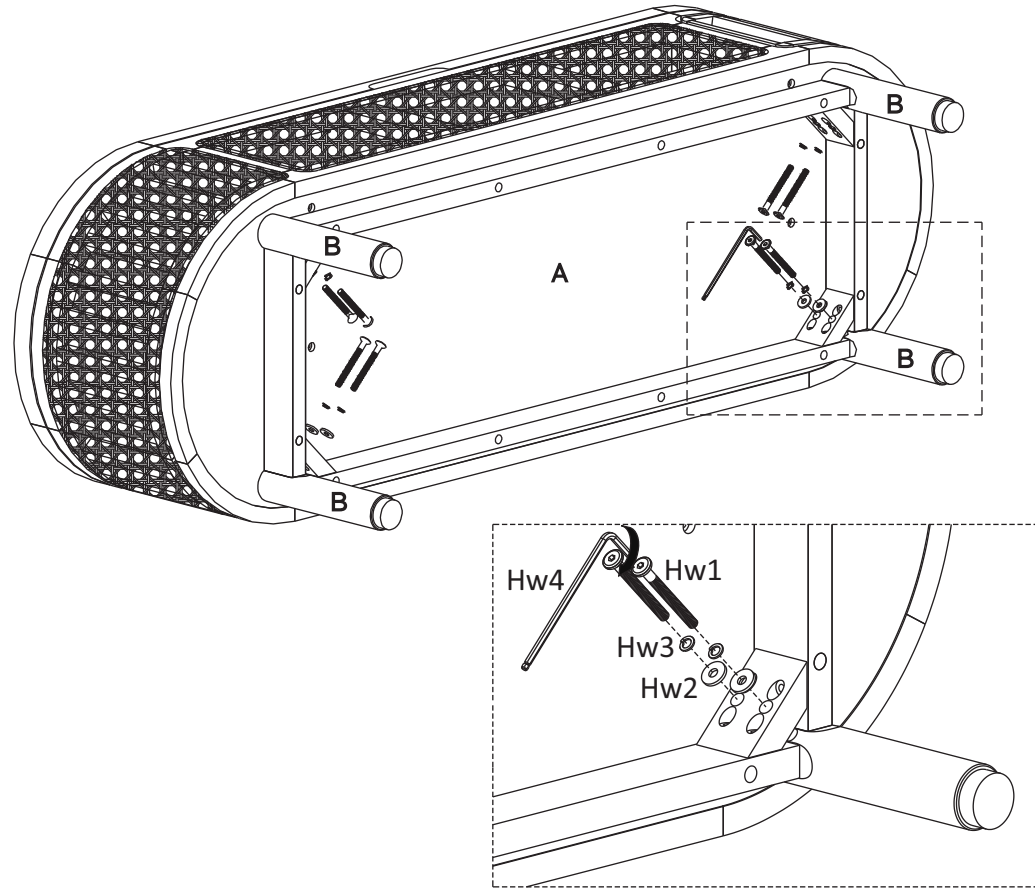
Warning: DO NOT OVER TORQUE BOLTS

Part List and Hardware List

PIECE	DESCRIPTION	PICTURE	QUANTITY	PIECE	DESCRIPTION	PICTURE	QUANTITY
A	Storage		1X	HW1	Bolt 6x60mm		8X
B	LEGS		4X	HW2	Flat Washer 2x6x16mm		8X
				HW3	Split Lock Washer 2x6x10mm		8X
				Hw4	Allen key		1X

PREPARATION

- * Before beginning assembly of product, make sure all parts are present. Compare parts with part contents list and hardware contents list.
- * If any part is missing or damaged, do not attempt to assemble the product.
- * Estimated Assembly Time: 10 minutes.
- * Tools Required for Assembly (included): Allen Key
- * If you are having difficulty, our friendly Customer Care team is always here to help.



STEP 1: Place the Legs (B) on the Storage (A) with holes that are matched together. Assemble the Legs(B) into the Storage (A) by using bolts (Hw1), split lock washers (Hw3) and Flat washers (Hw2) by Allen key (Hw4).