

Assembly Instructions

Office Chair

Model:OC028

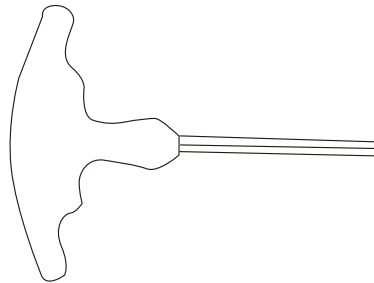


MADE IN P.R.C.

Thank you for your choice.If you encounter any problems, please feel free to contact us at **F.care.tech@outlook.com**.We will provide you with a solution.
We greatly value your valuable suggestions and feedback.



Tools required for assembly



WARNING :

Be careful not to let children swallow the assembling parts.

Please put the unpacked plastic bag or foam back into the carton for easy disposal

Achten Sie darauf, dass Kinder die Montageteile nicht verschlucken.

Bitte legen Sie die ausgepackte Plastiktüte oder den Schaumstoff zur einfachen Entsorgung wieder in den Karton.

注意不要让儿童吞下组装部件

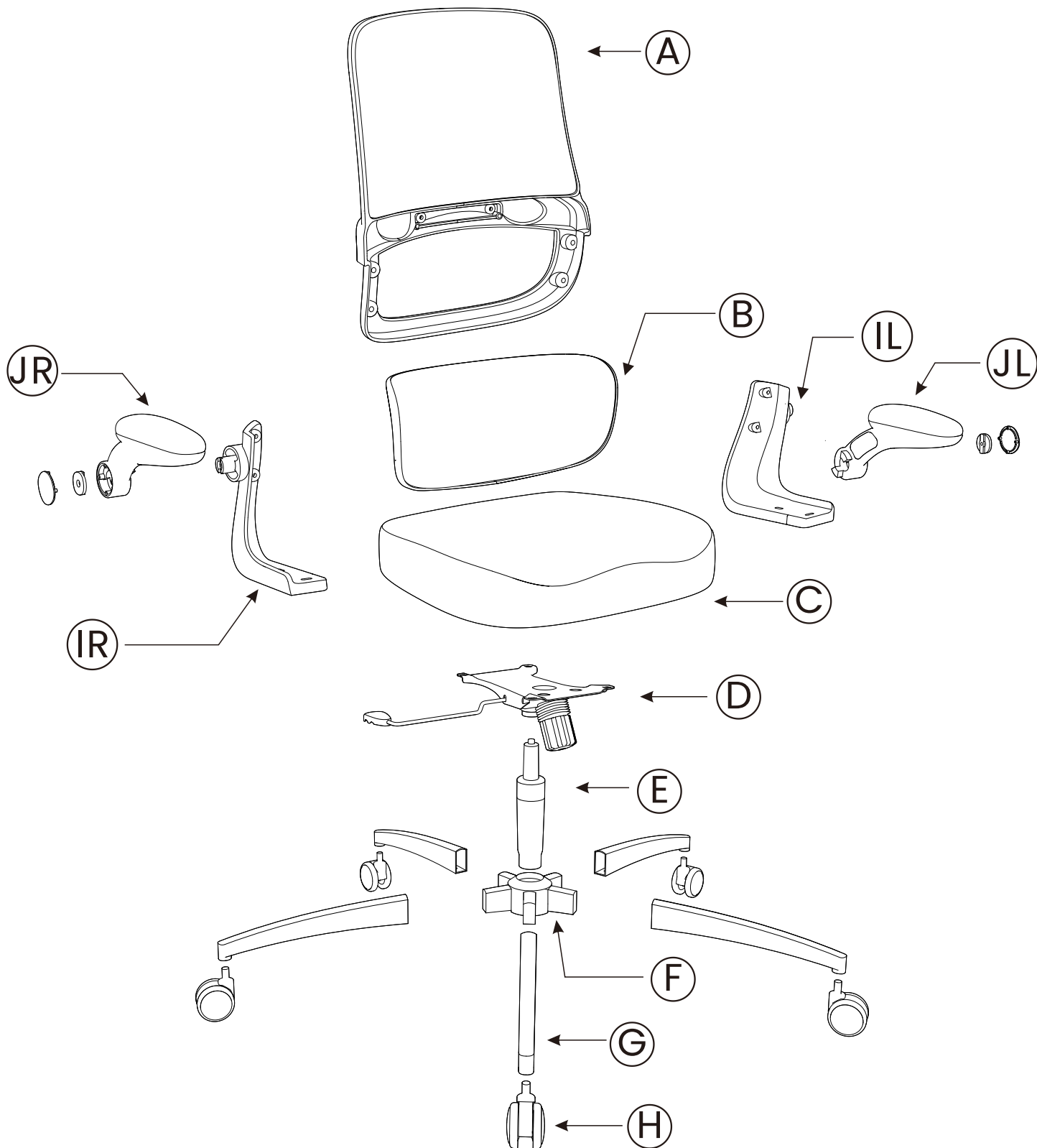
请将拆开的塑料袋或泡沫放回纸箱中，以便于处理

子供が組み立て部品を飲み込まないように注意してください

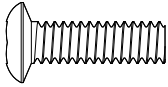
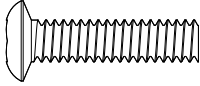
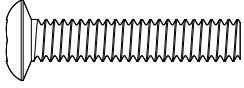
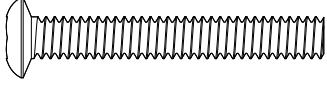
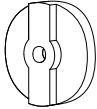
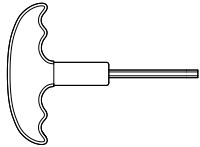
開封したビニール袋または発泡スチロールは、簡単に処分できるようにカートンに戻してください

어린이가 조립 부품을 삼키지 않도록 주의하세요

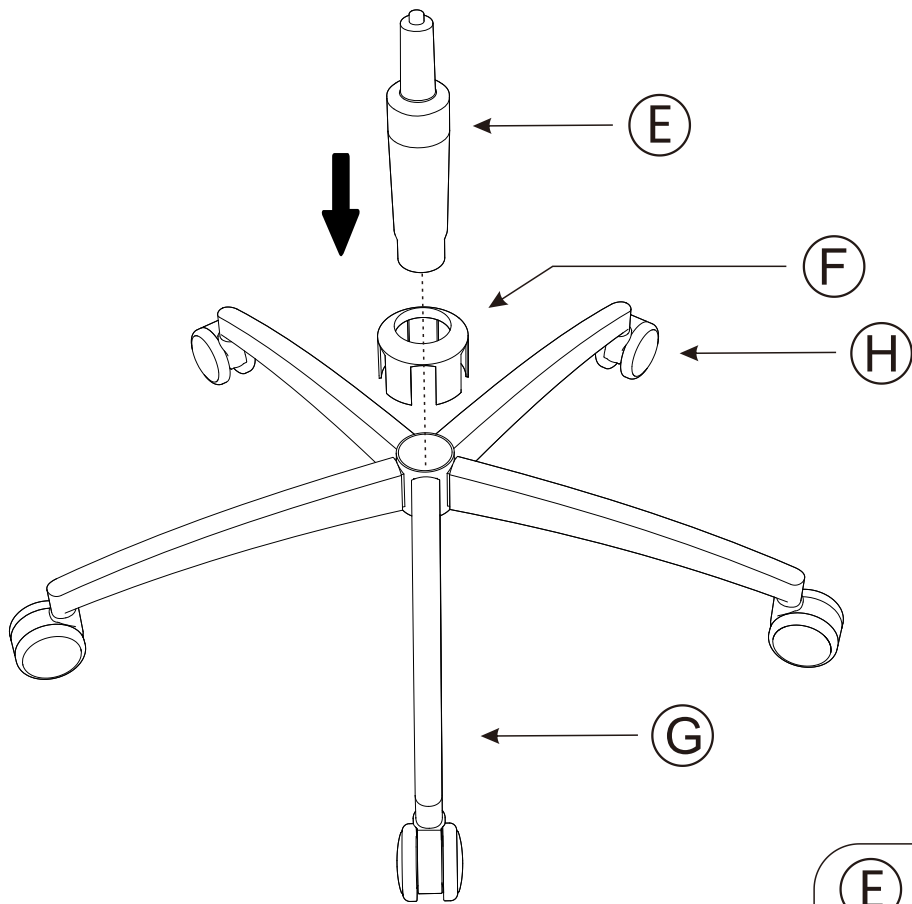
포장을 푼 비닐 봉지나 폼은 쉽게 폐기할 수 있도록 상자에 다시 넣어주세요



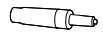
Screws Pack

①		M6*16mm	5pcs+1
②		M6*20mm	6pcs+1
③		M6*25mm	6pcs+1
④		M6*35mm	4pcs+1
⑤		Plastic gasket	2pcs
⑥		M5	1pc

Step3

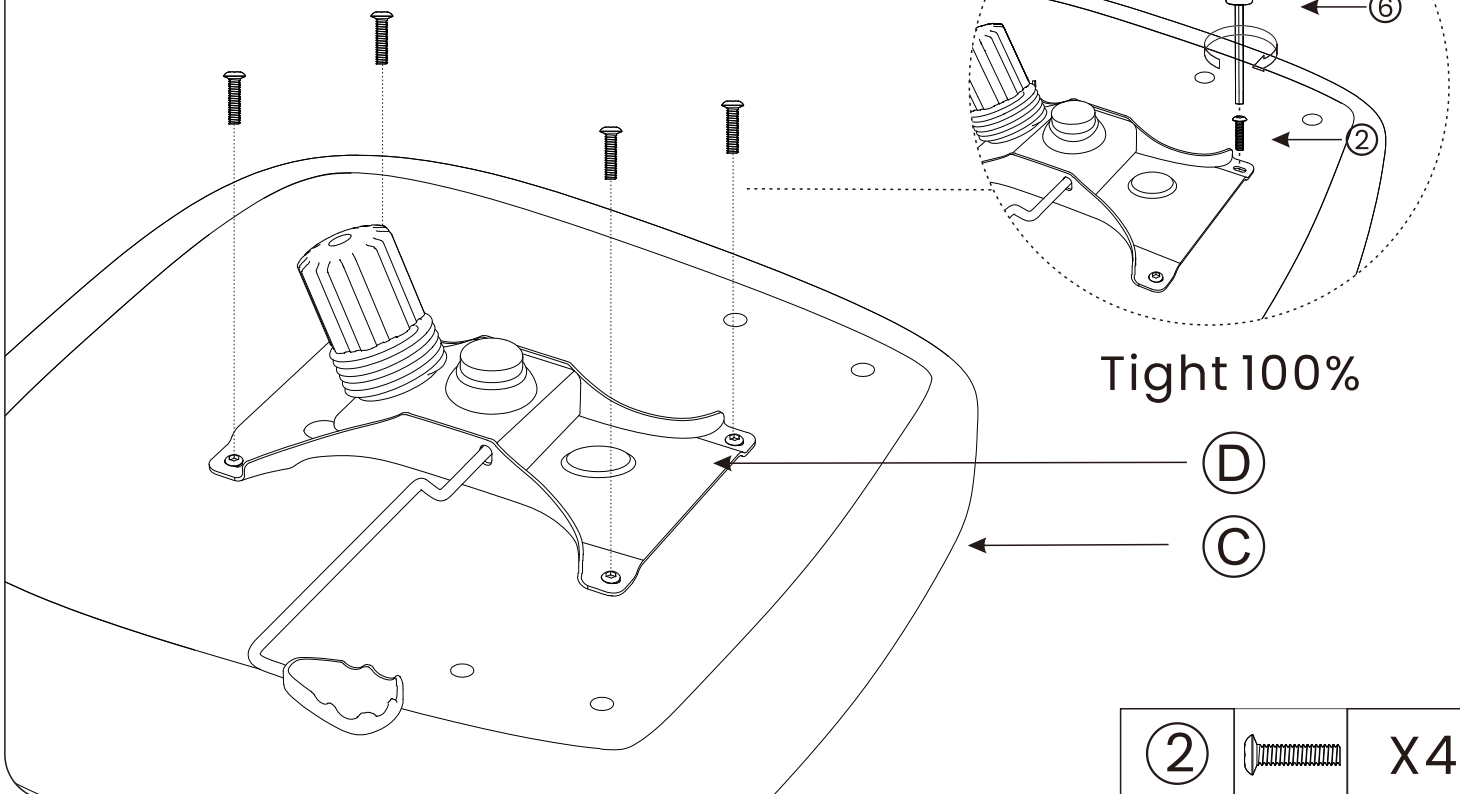


(E)



X1

Step4



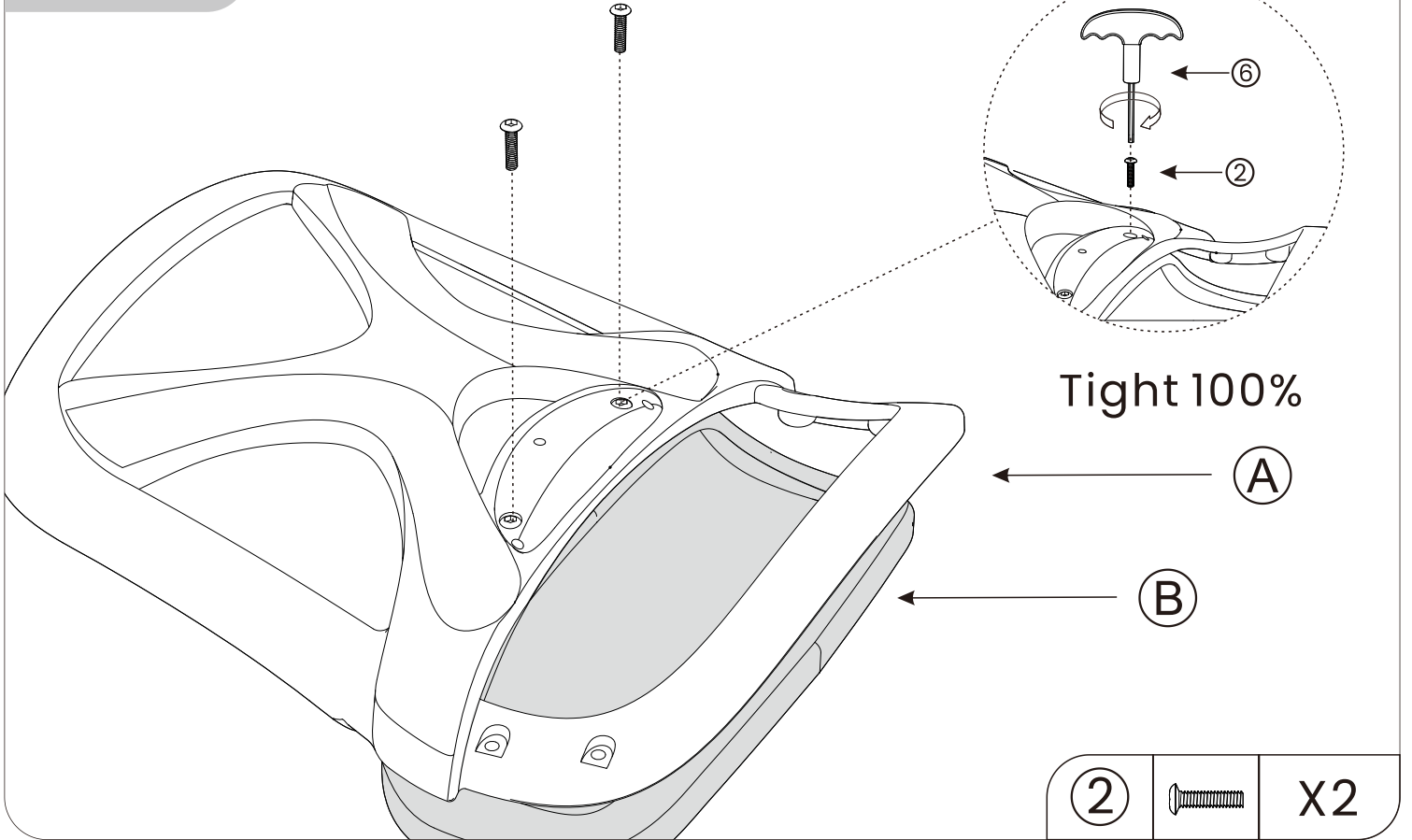
Tight 100%

(2)

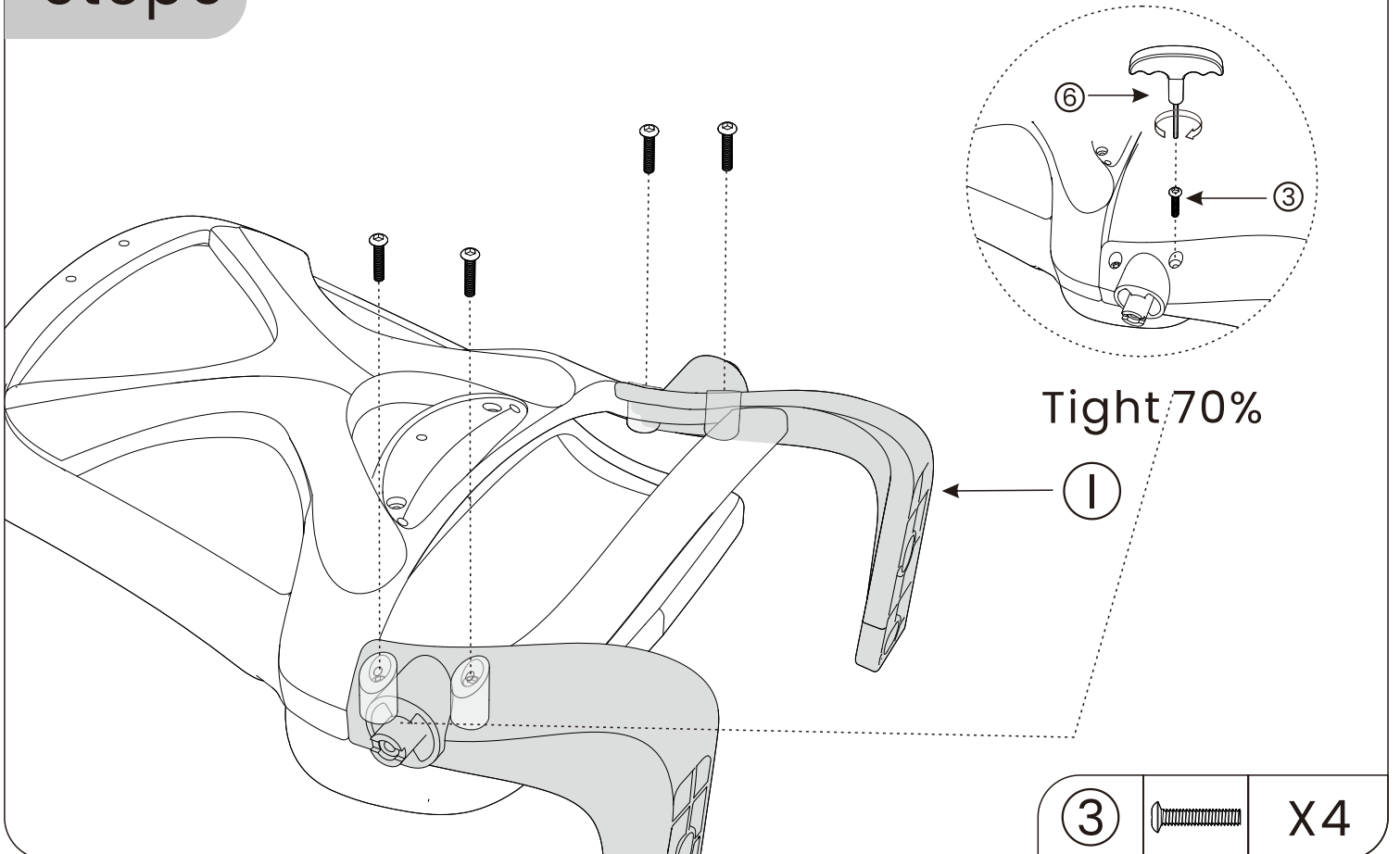


X4

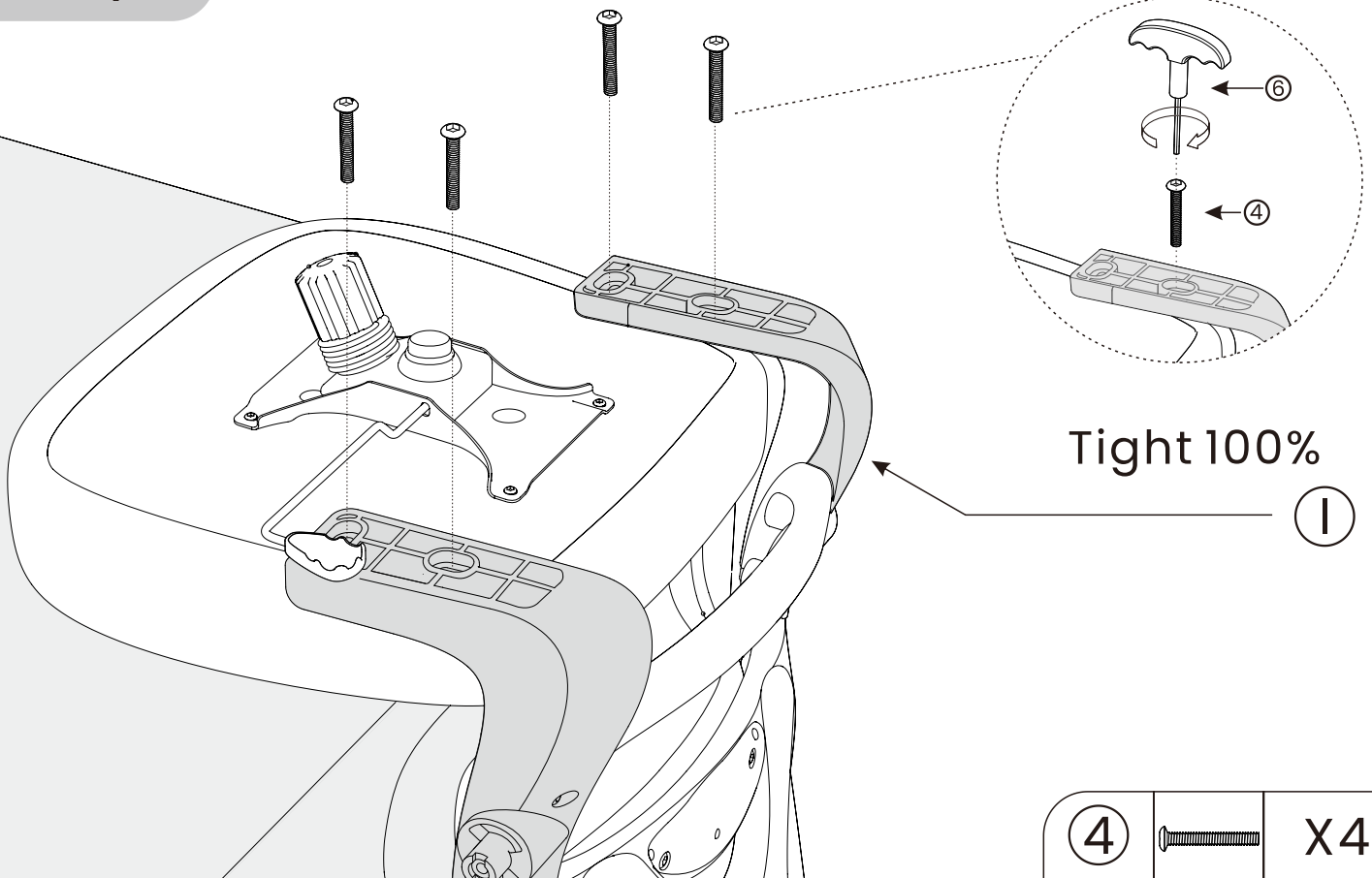
Step5



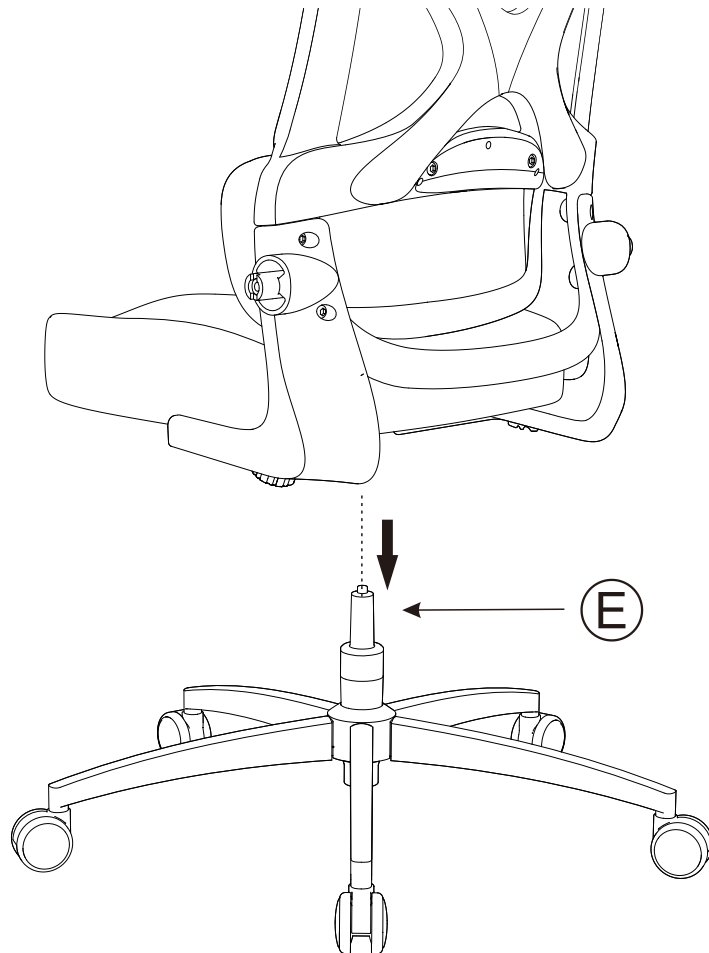
Step6



Step7



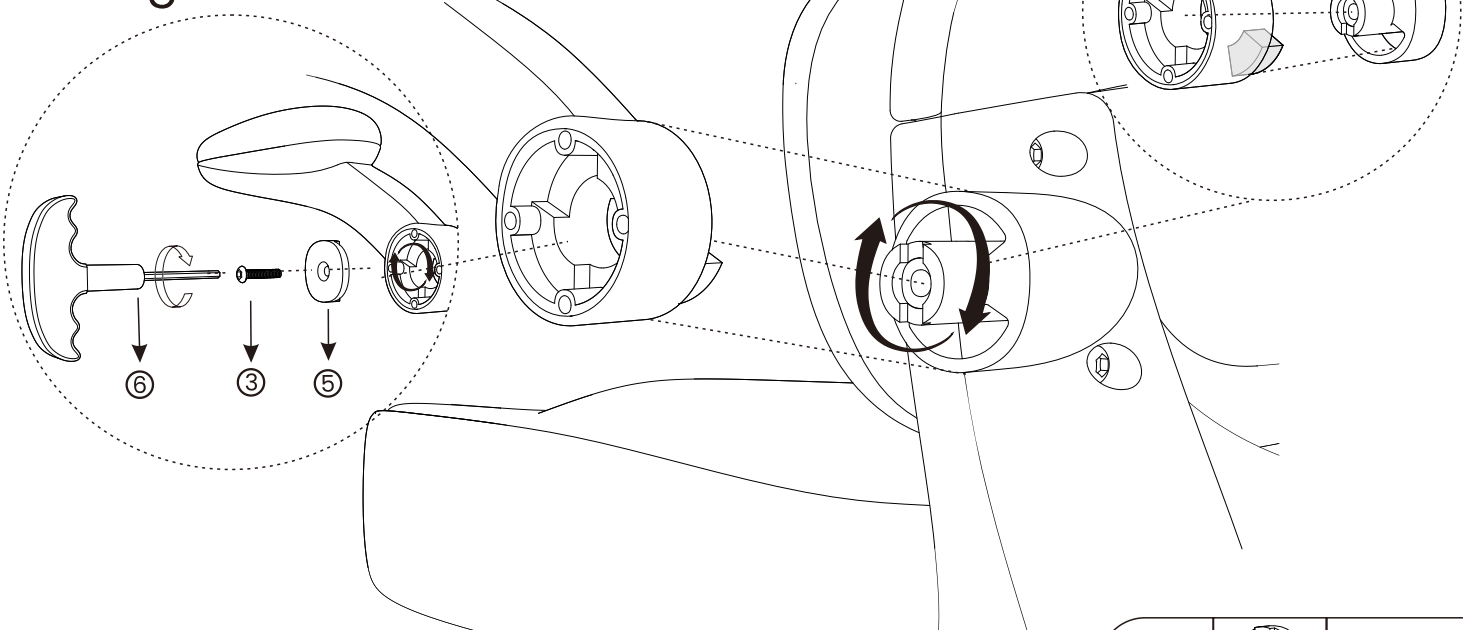
Step8

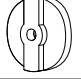



Step9

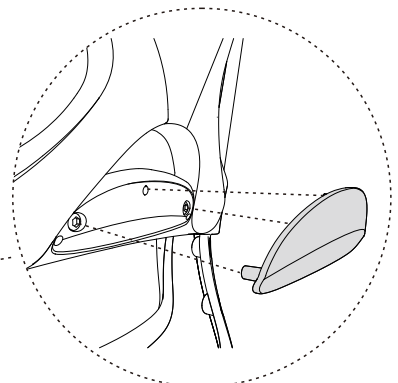
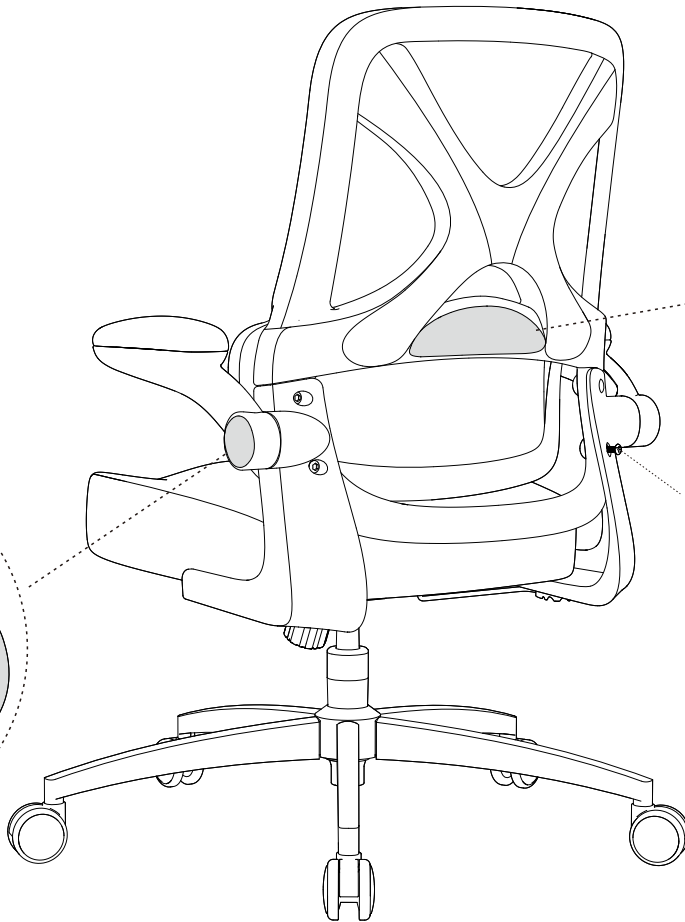
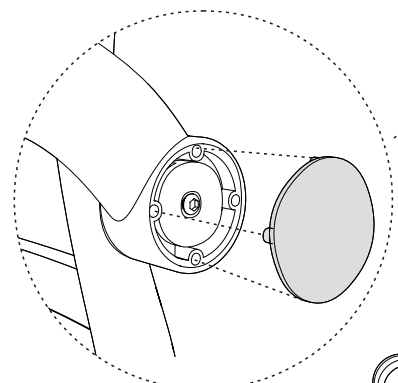
Tight 100%

J

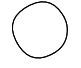
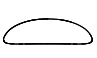


⑤		X2
③		X2

Step10



Lock 100% here

	X2
	X1