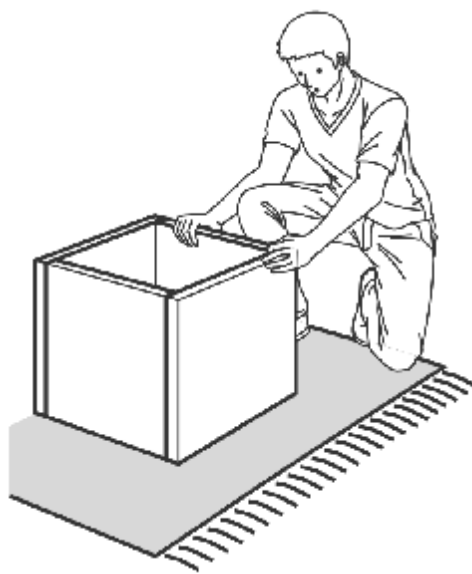


WARNING!

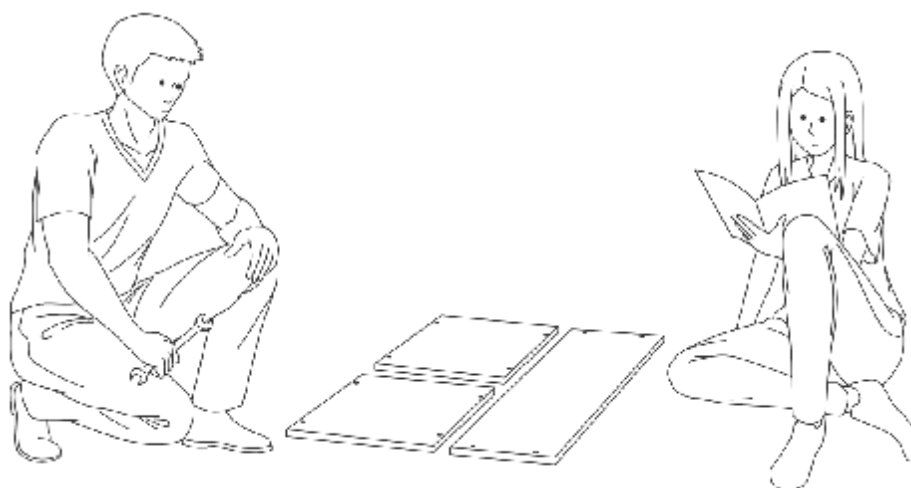


Estimated Time for Assembly

20 mins



Assemble the furniture on empty carton, carpet, or rug to prevent scratches or damage.

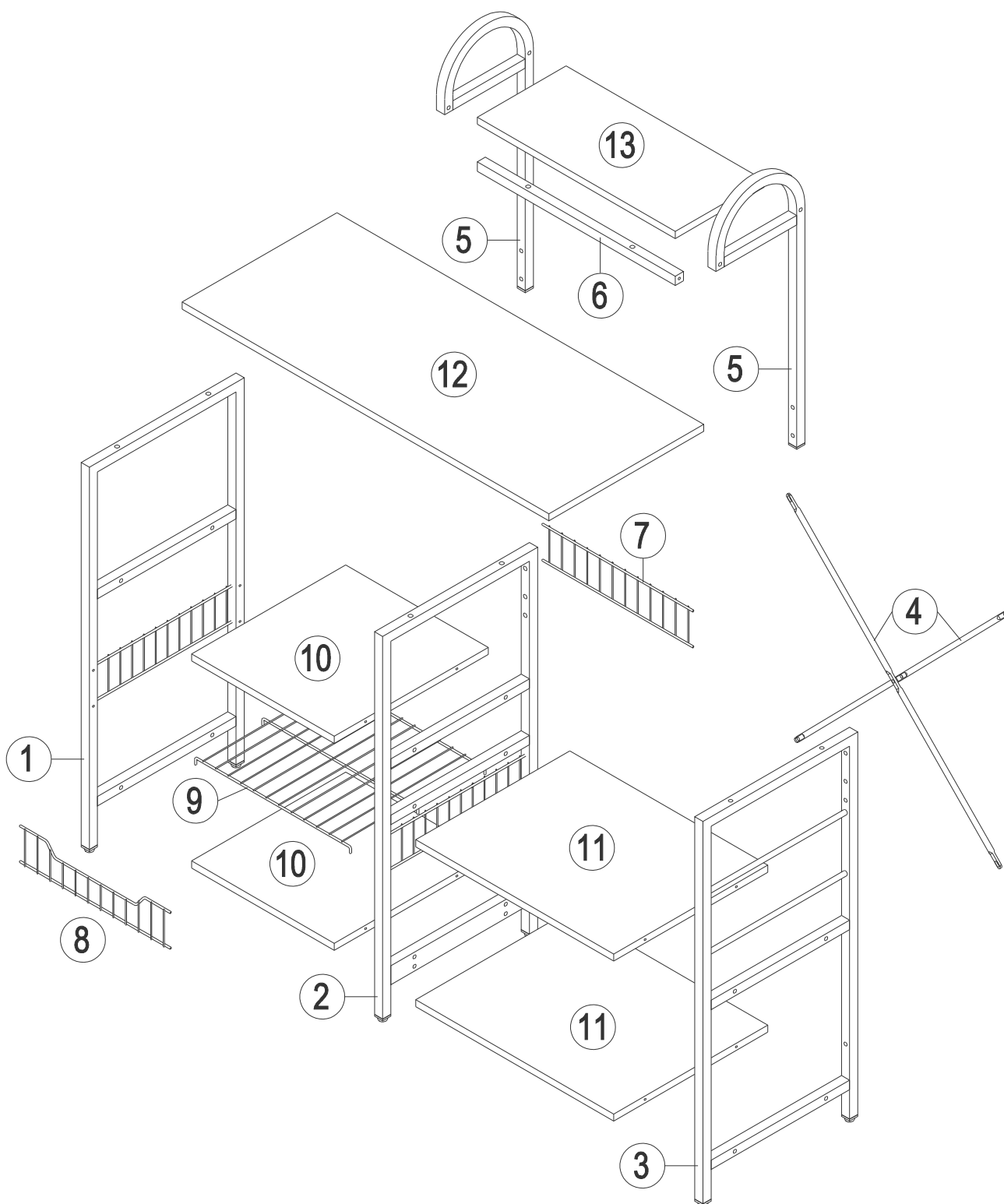


This furniture requires 2 people to assemble.

Make sure no parts are missing or damaged before assemble.

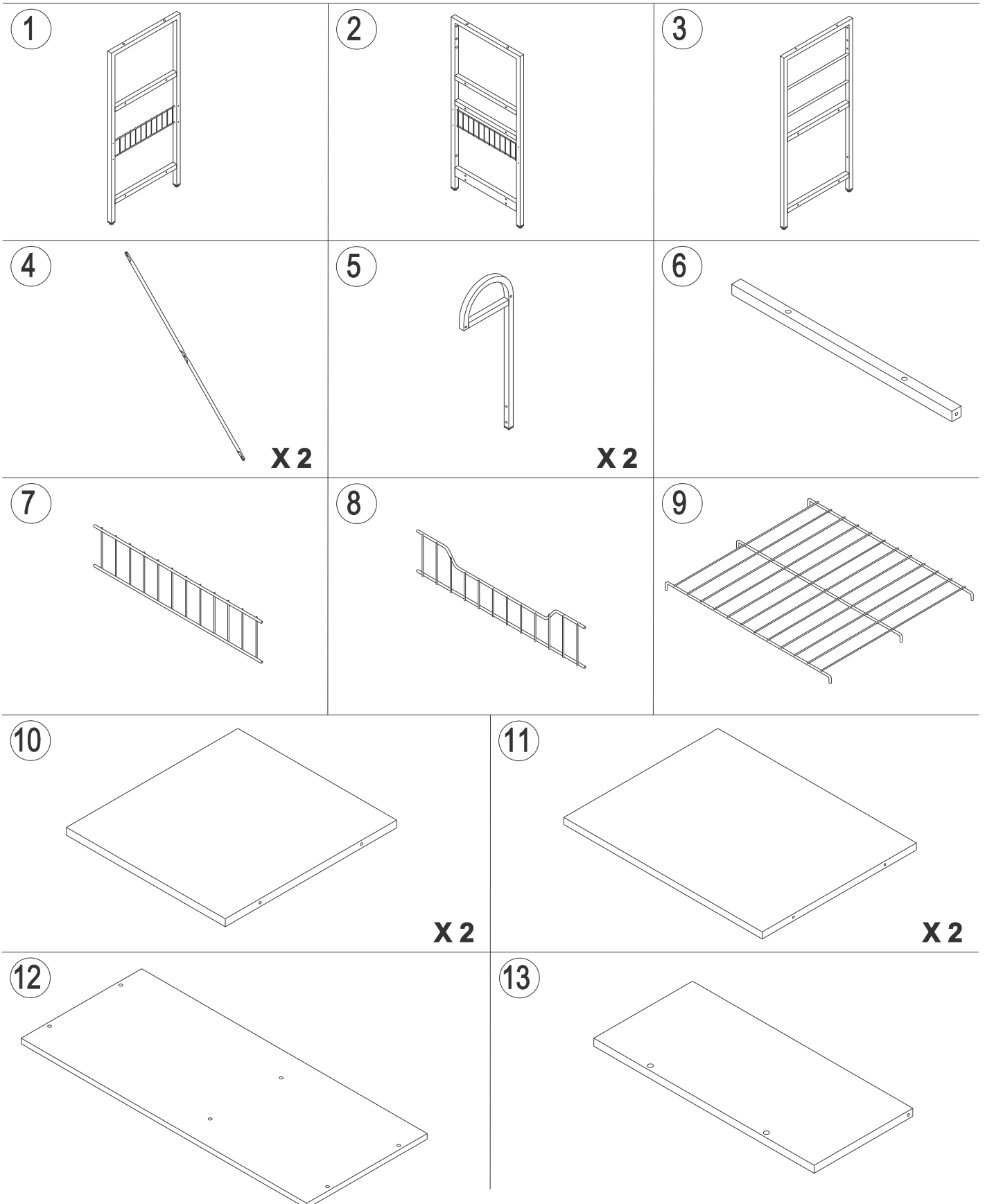
Board Identification

Not actual size




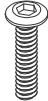
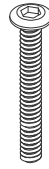
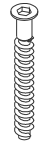



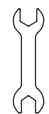
Board Identification

Not actual size

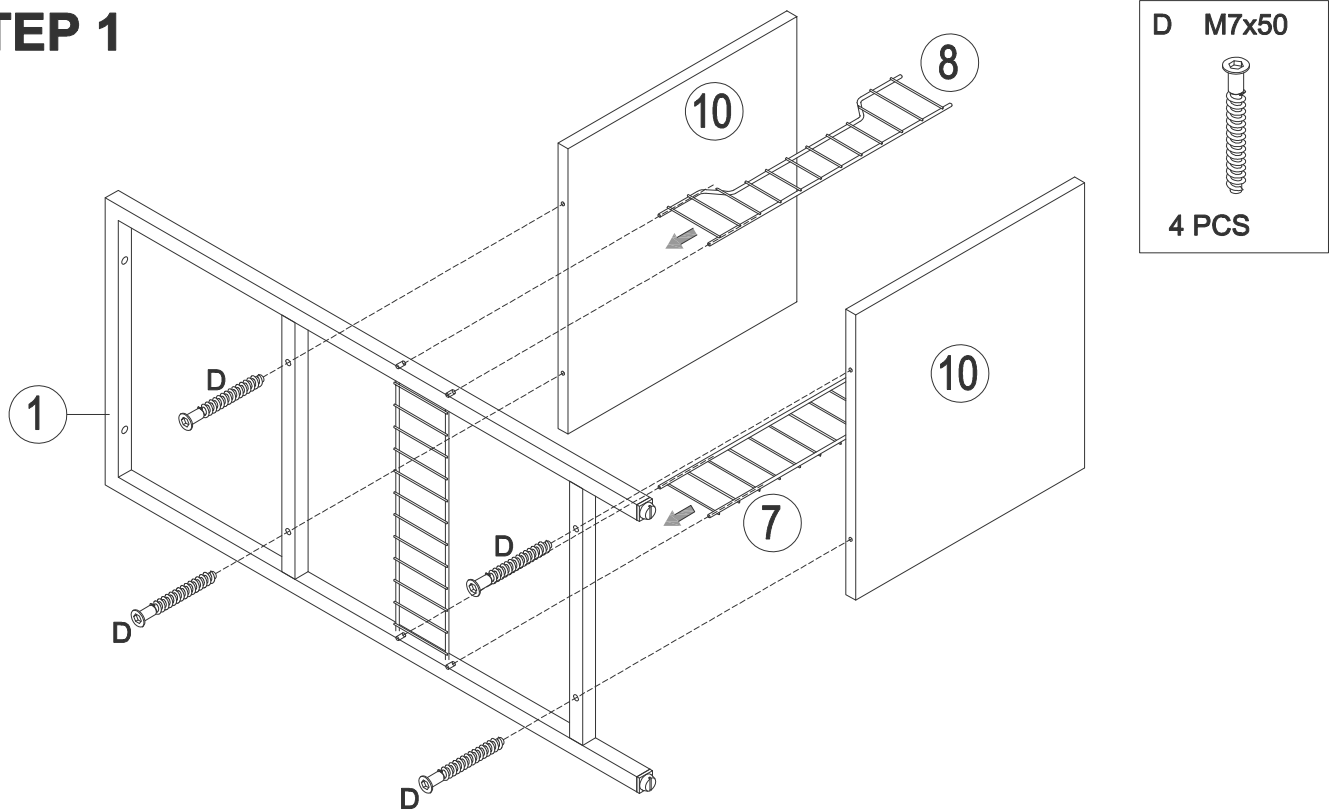


Hardware List

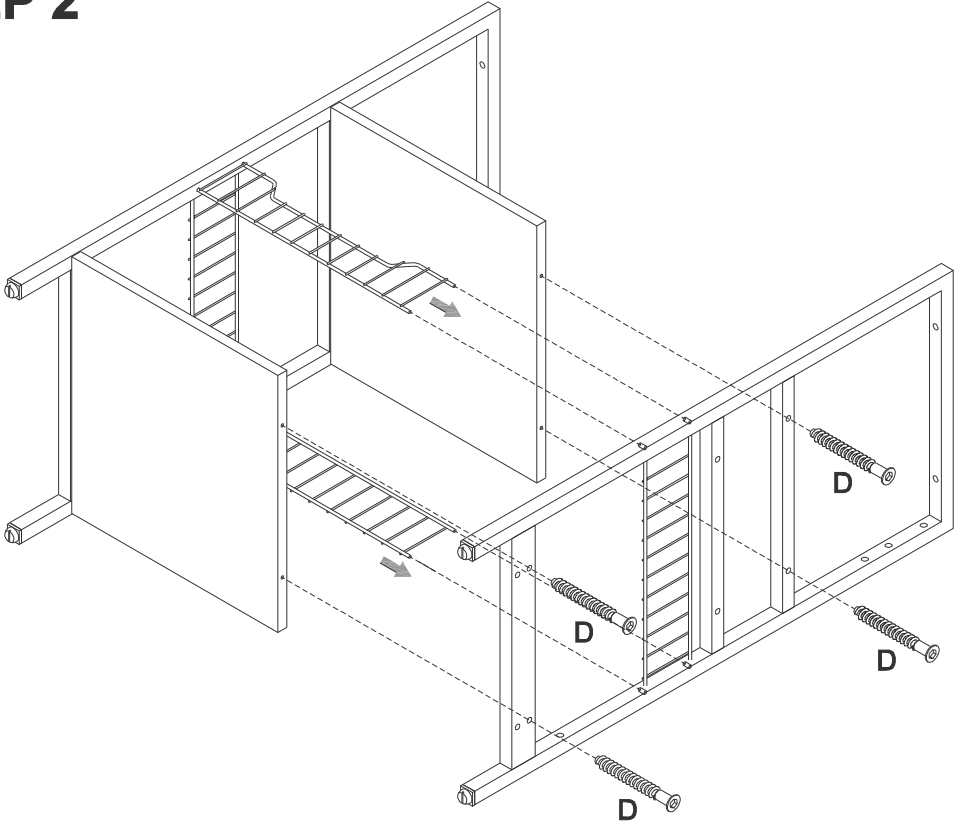
Not actual size

A M6x12  1+1 PCS	B M6x30  12+1 PCS	C M6x45  6+1 PCS	D M7x50  18+1 PCS
E M6  9+1 PCS	F Ø3x85  5 PCS	4#  1 PCS	 1 PCS

STEP 1



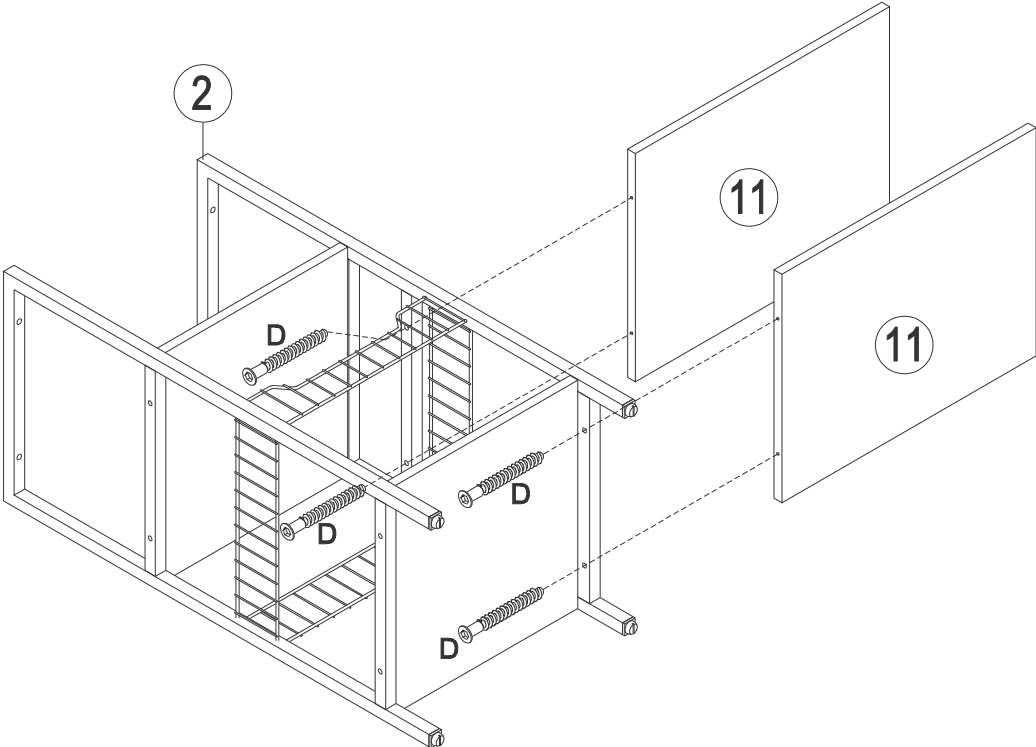
STEP 2



D M7x50

4 PCS

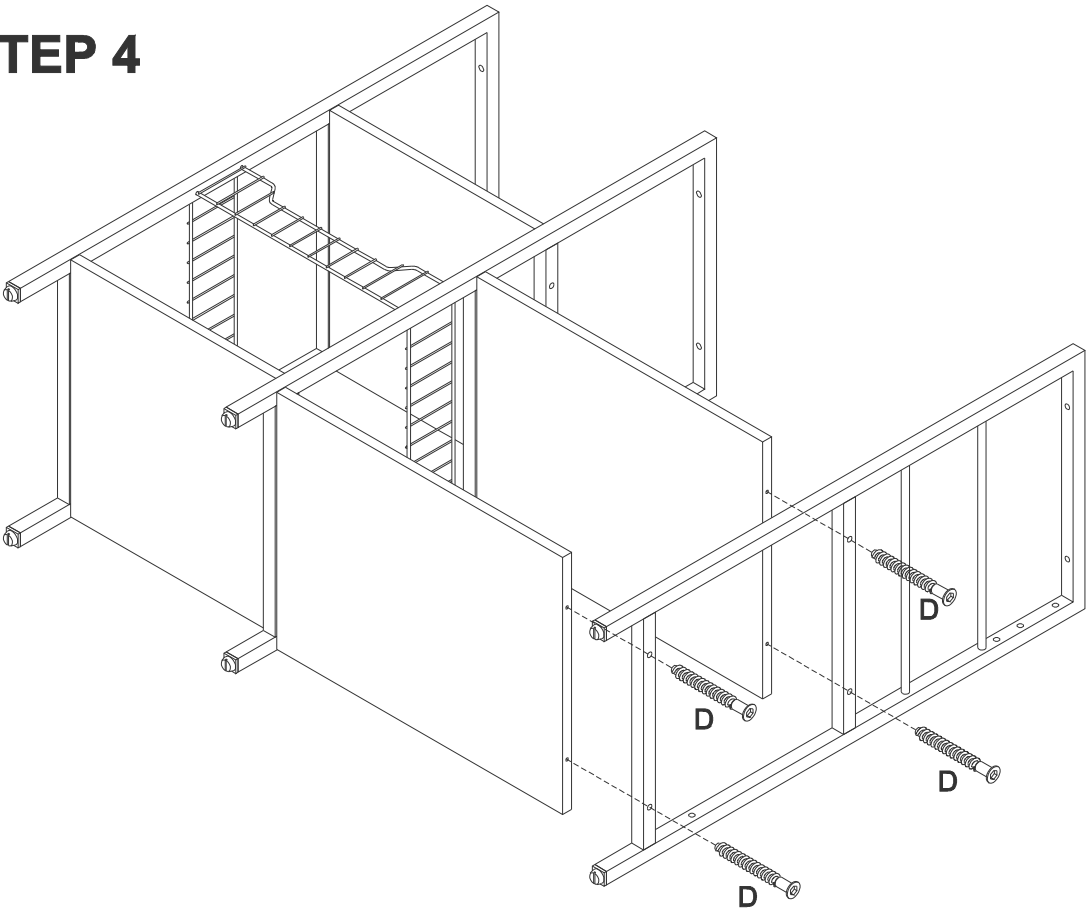
STEP 3




D M7x50

4 PCS

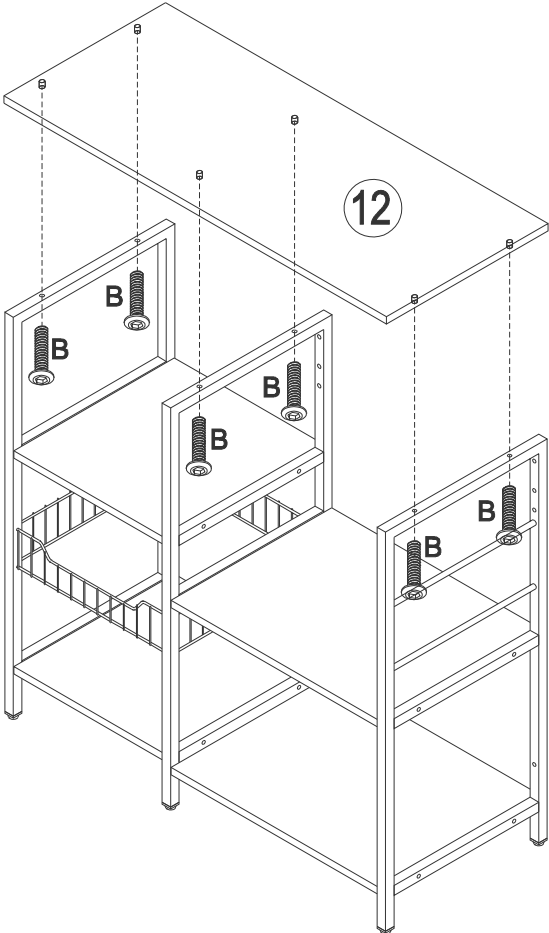
STEP 4



D M7x50

4 PCS

3

STEP 5



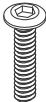
B M6x30

6 PCS

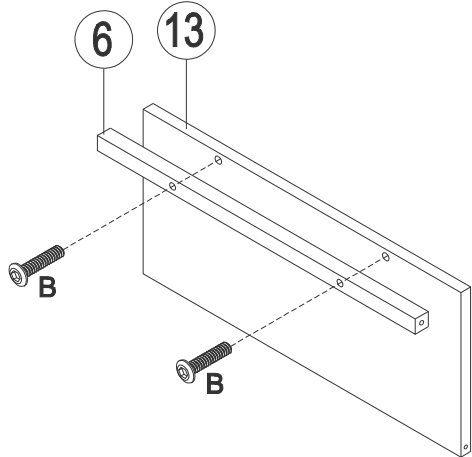
12

STEP 6

B M6x30



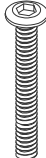
2 PCS



STEP 7

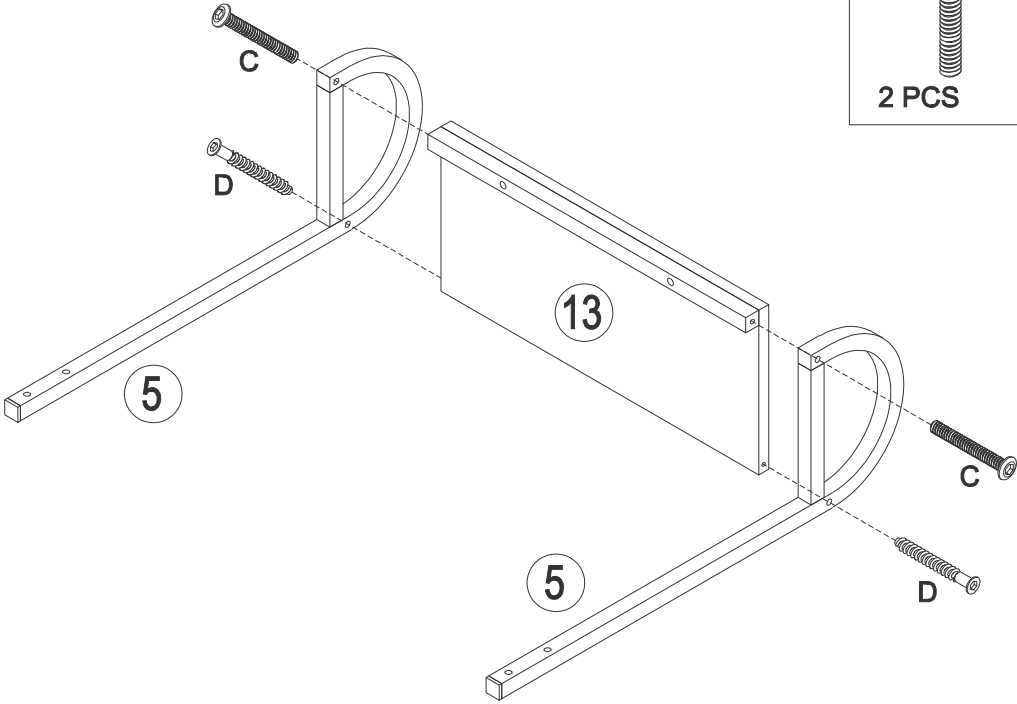
C M6x45

D M7x50


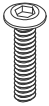
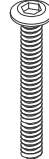



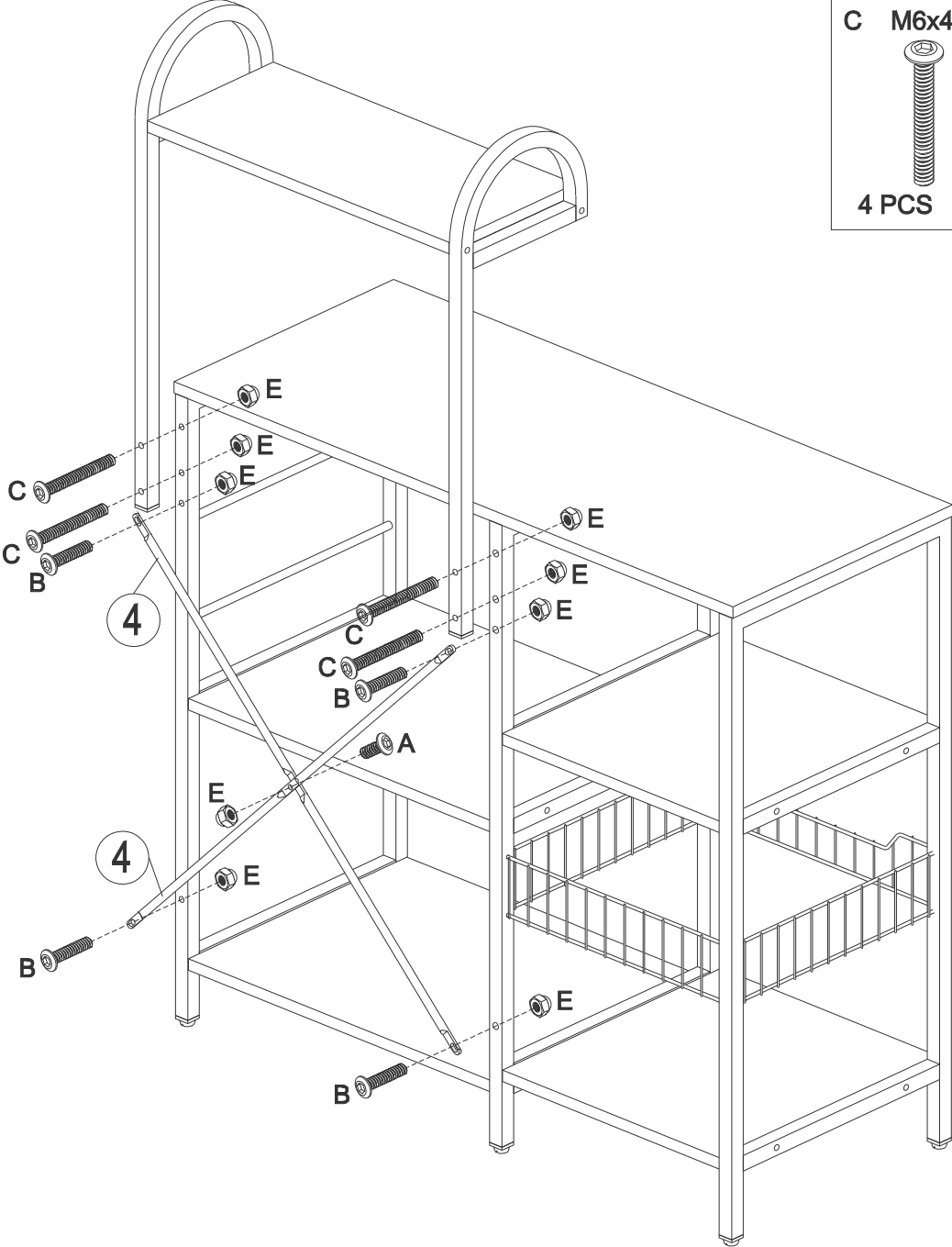
2 PCS

2 PCS

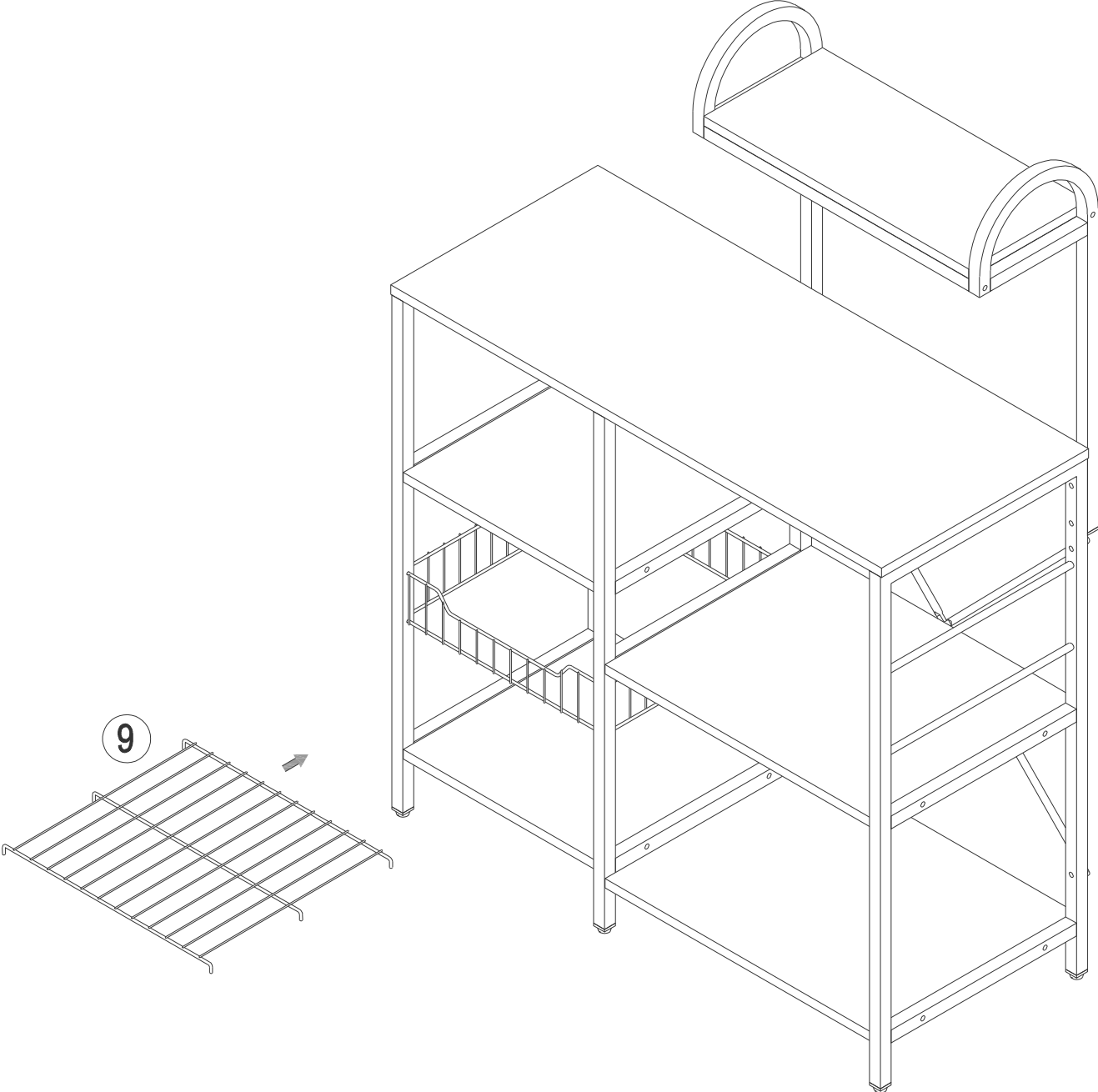


STEP 8

<p>A M6x12</p>  <p>1 PCS</p>	<p>B M6x30</p>  <p>4 PCS</p>
<p>C M6x45</p>  <p>4 PCS</p>	<p>E M6</p>  <p>9 PCS</p>

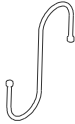


STEP 9

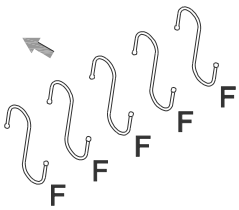
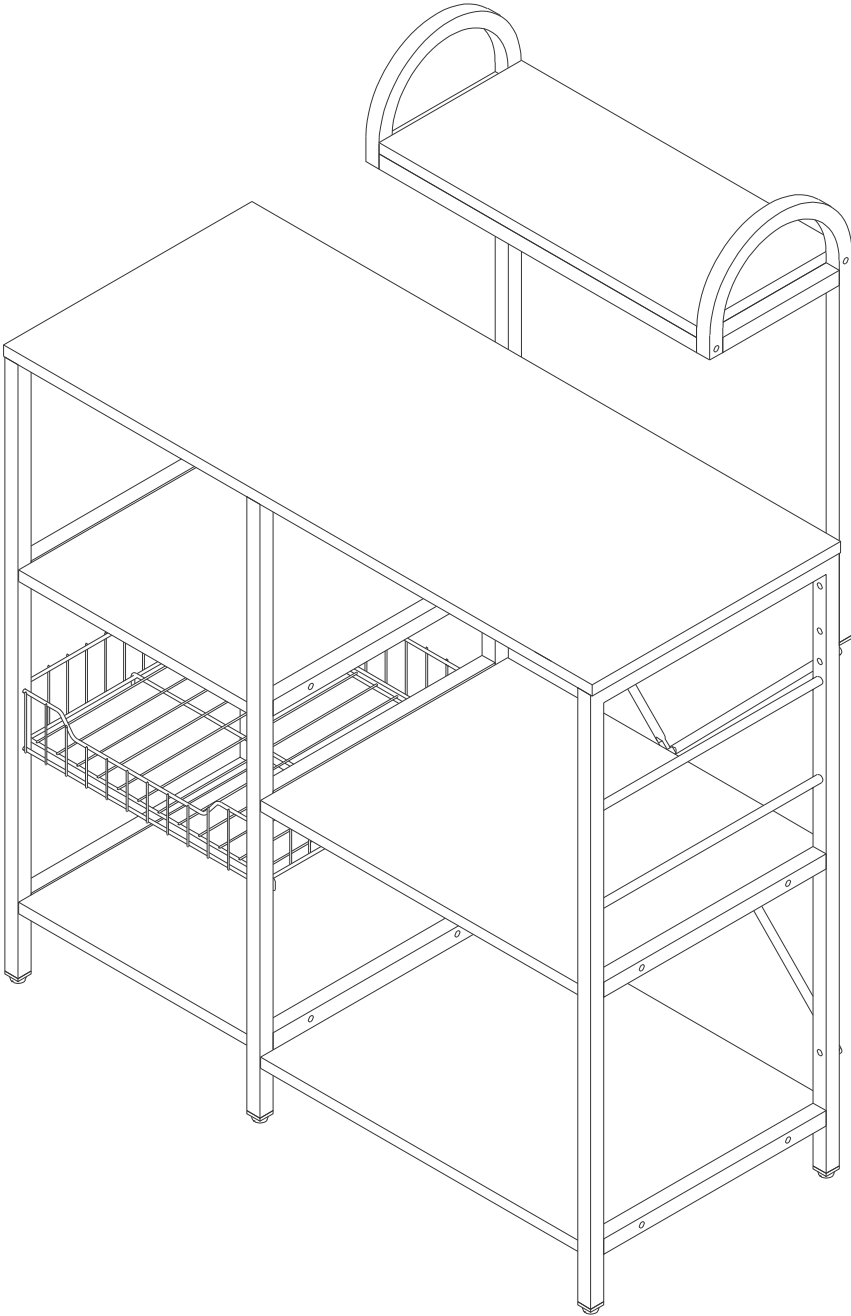


STEP 10

F Ø3x85



5 PCS



STEP 11

