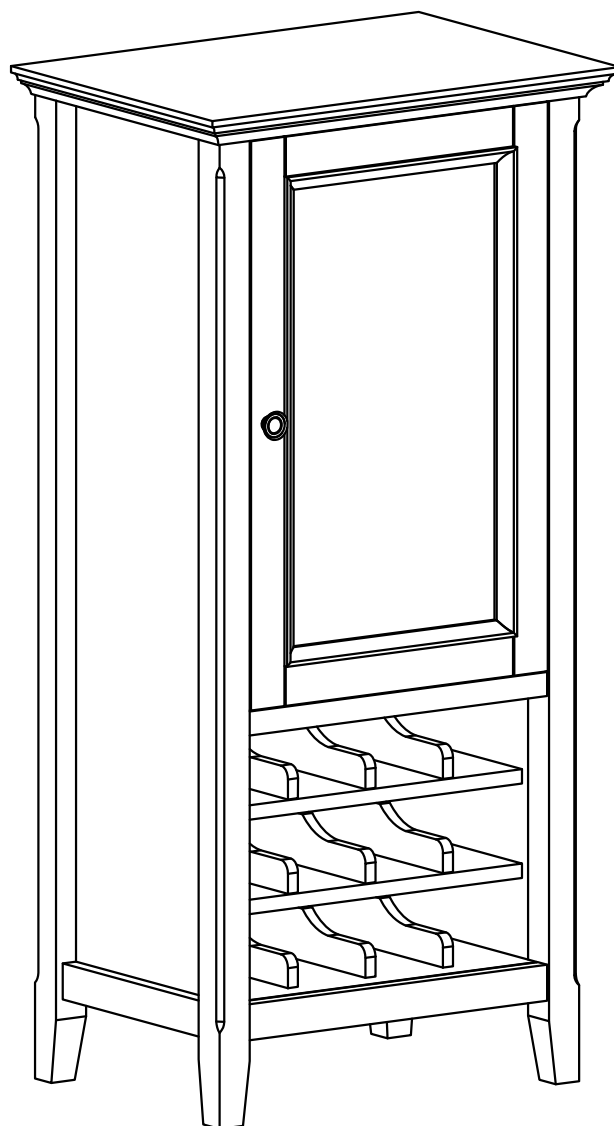


# HIGH STORAGE WINE RACK





## **DO NOT RETURN**

**FOR REPLACEMENT PARTS OR OTHER INQUIRIES  
PLEASE CONTACT US**

**PLEASE ENSURE TO HAVE THE MODEL**

**FROM THE PACKAGING OR  
INSTRUCTION BOOKLET**

**IMPORTANT :** Please read this manual carefully before beginning assembly of this product. Keep this manual for future reference.

## **SAFETY INFORMATION**

Identify all the parts and hardware. Do not discard of the packaging until you have checked that you have all of the parts and hardware required. Hardware package may have spare parts.

**WARNING:** This item contains small parts which can be swallowed by children and pets. Keep children and pets away during assembly. To avoid danger of suffocation, always keep plastic bags away from children and pets. We recommend that you assemble this unit on a carpeted floor to avoid scratches. We do not recommend the use of power tools for assembly as this could damage the unit. Only use manual tools.

**May require 2 people for ease of assembly.**

## **CARE and MAINTENANCE**

To clean, use a soft or slightly damp cloth, then wipe with a clean, dry cloth. Dust with soft dry cloth.

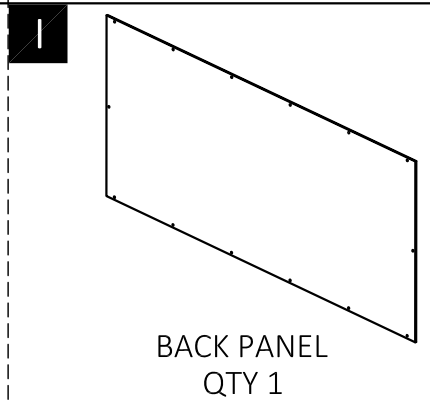
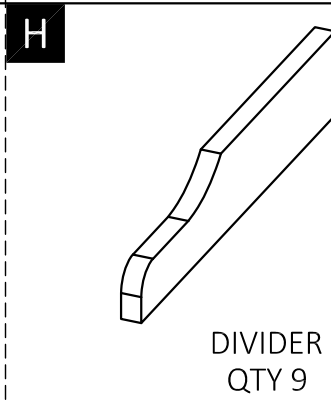
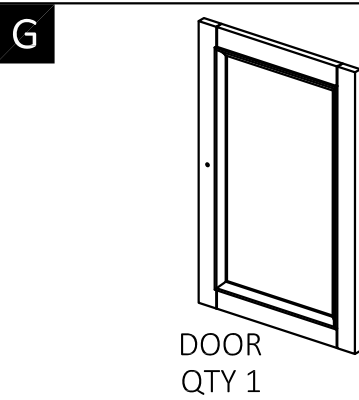
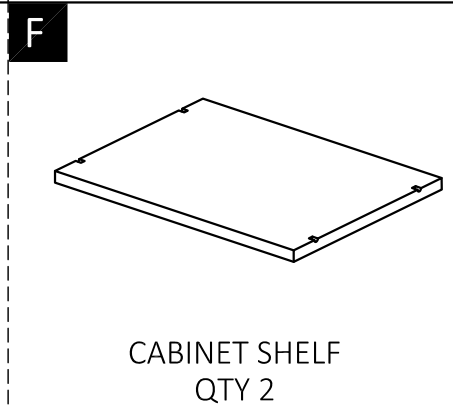
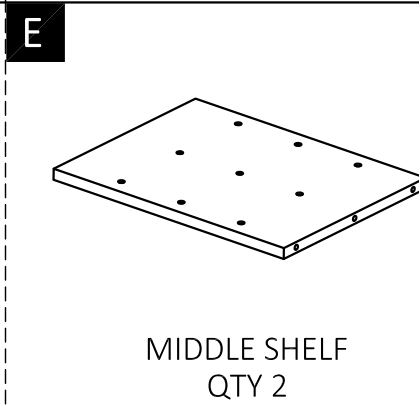
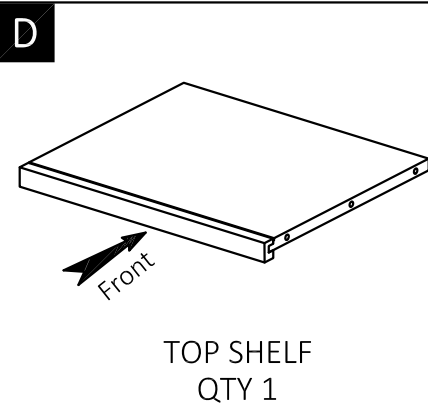
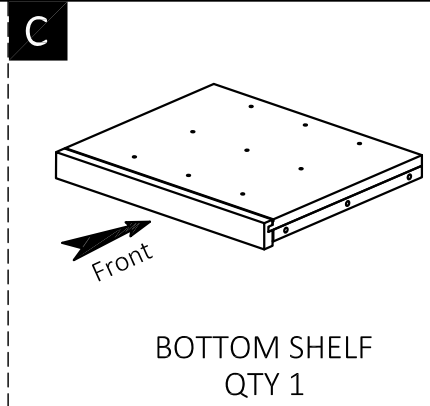
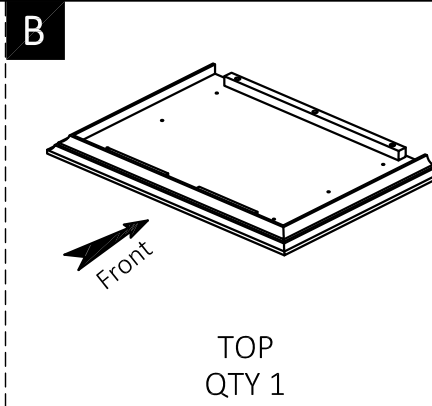
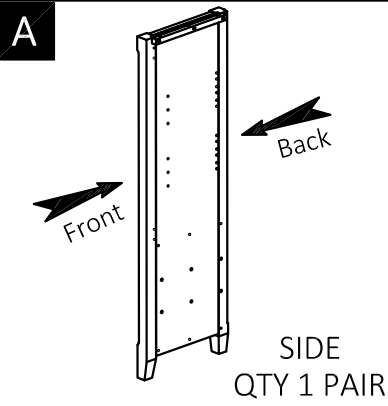
Do not use ammonia-based cleaning products, as they will damage the finish. Do not leave liquids or damp cloths on this furniture.

To avoid dulling of the finish, do not place furniture in direct sunlight.

Please inspect and tighten all screws or bolts on a regular basis to ensure proper performance and safety of your item.

# PRE-ASSEMBLY INFORMATION

## PART DESCRIPTION

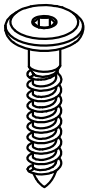


**NEED HELP?** For help with assembly or if you are missing a part, please call customer service

# PRE-ASSEMBLY INFORMATION

## HARDWARE DESCRIPTION

1



ALLEN KEY SCREW  
M6 X 30mm  
QTY 12

2



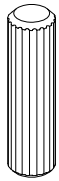
CAM LOCK PIN  
CAM LOCK  
QTY 6 SETS

3



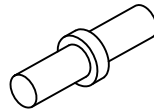
ALLEN KEY  
QTY 1

4



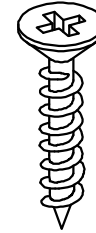
WOOD DOWER  
Ø8 x 30 mm  
QTY 12

5



SHELF SUPPORT  
QTY 12

6



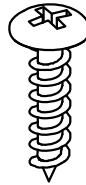
PHILLIPS SCREW  
M4 X 30mm  
QTY 27

7



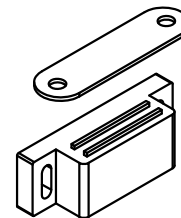
PHILLIPS SCREW  
M3 X 15mm  
QTY 8

8



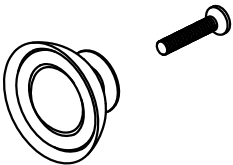
PHILLIPS SCREW  
ROUND HEAD  
M4 X 15mm  
QTY 14

9



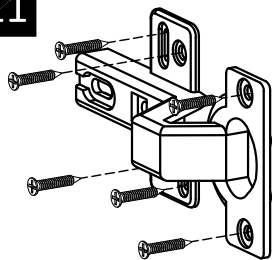
MAGNET AND PLATE  
QTY 2 SETS

10



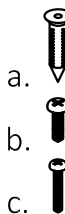
HANDLE  
QTY 1 SET

11



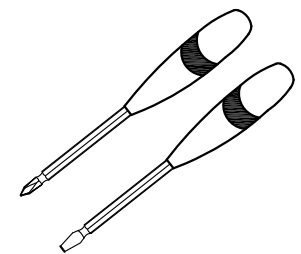
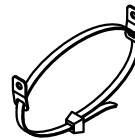
HINGE  
M3.5 X 15mm  
QTY 2 SETS

12



- a. M4 X 25mm - QTY 1
- b. M4 X 15mm - QTY 1
- c. M4 X 25mm - QTY 1

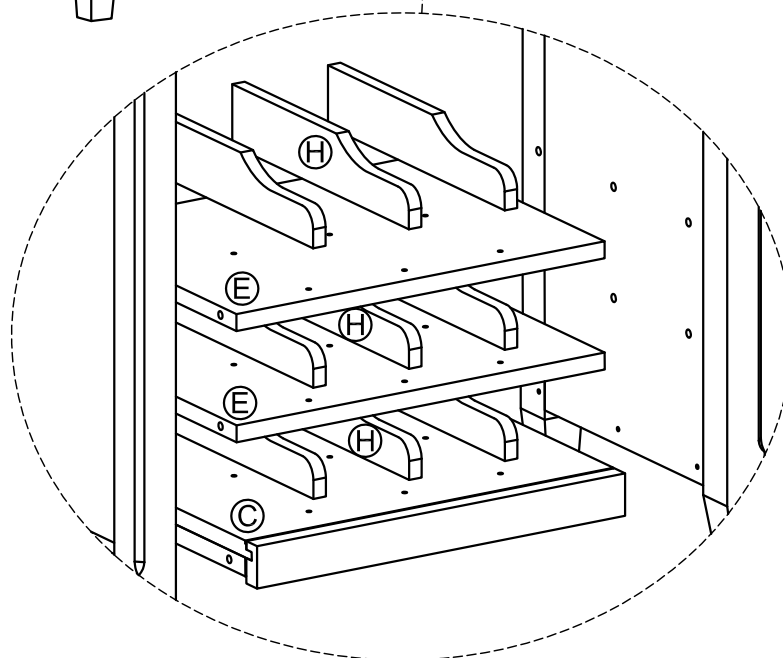
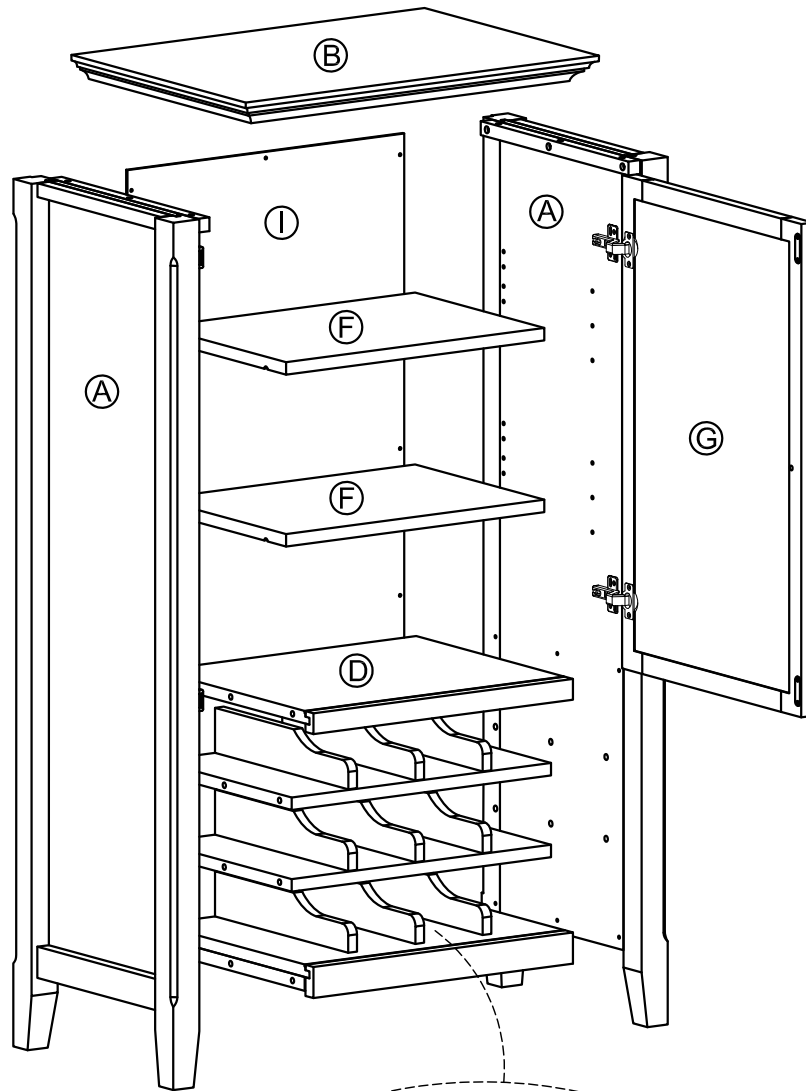
TIPPING RESTRAINT  
QTY 1 SET



Required -  
Flathead screwdriver  
Phillips screwdriver  
**Not Included**

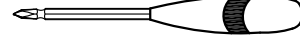
**NEED HELP?** For help with assembly or if you are missing a part, please call customer service

# COMPONENTS-KEY DIAGRAM

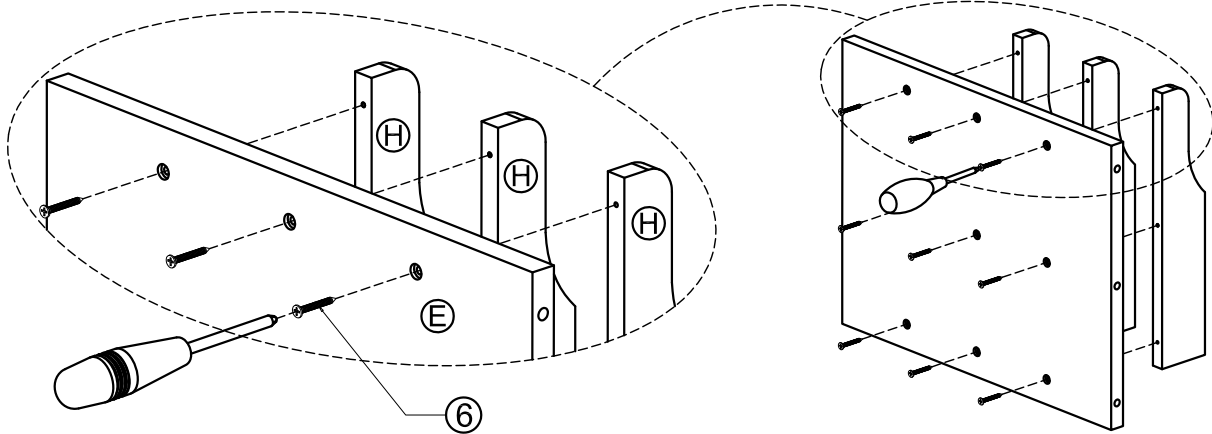


## ASSEMBLY

### STEP-1

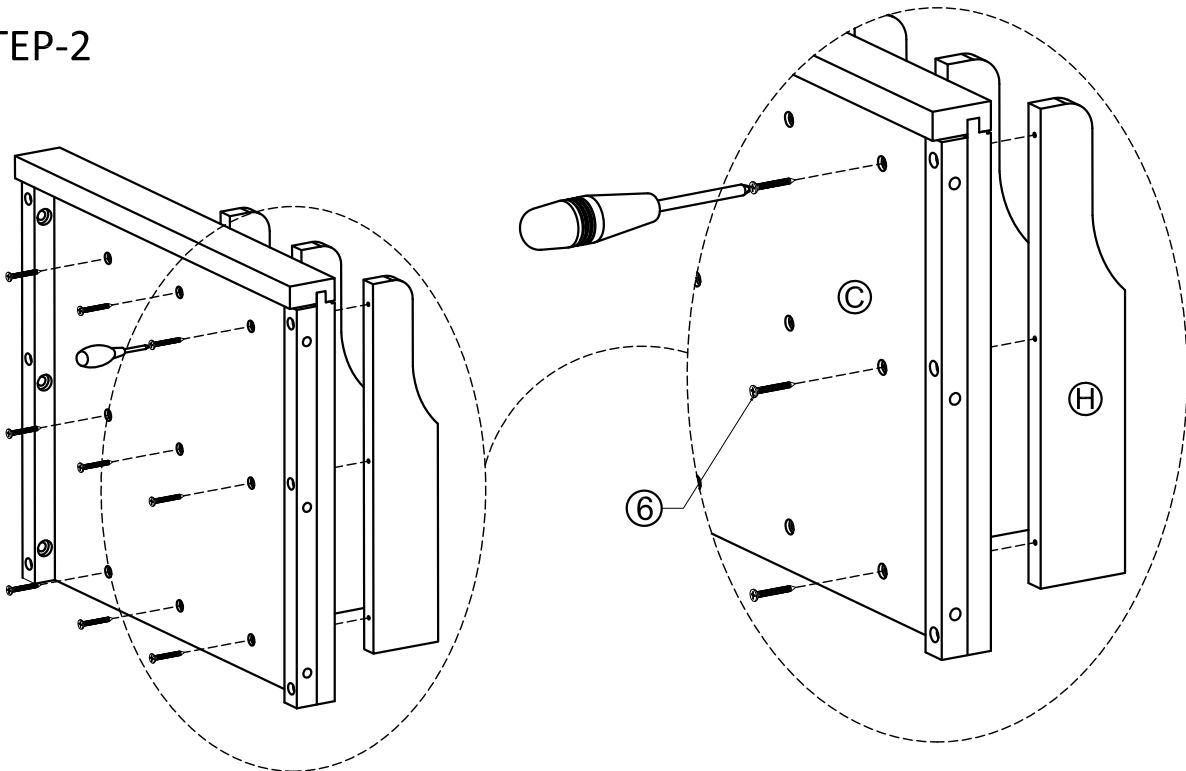


NOTE: The screwdriver is not included in the hardware pack.



1. Attach 3 Dividers (H) to Middle Shelf (E) using 9 Phillips Screws (6).
2. Use Phillips screwdriver to snugly tighten screw.
3. Repeat Step-1 for the second Middle Shelf (E) and other 3 Dividers (H).

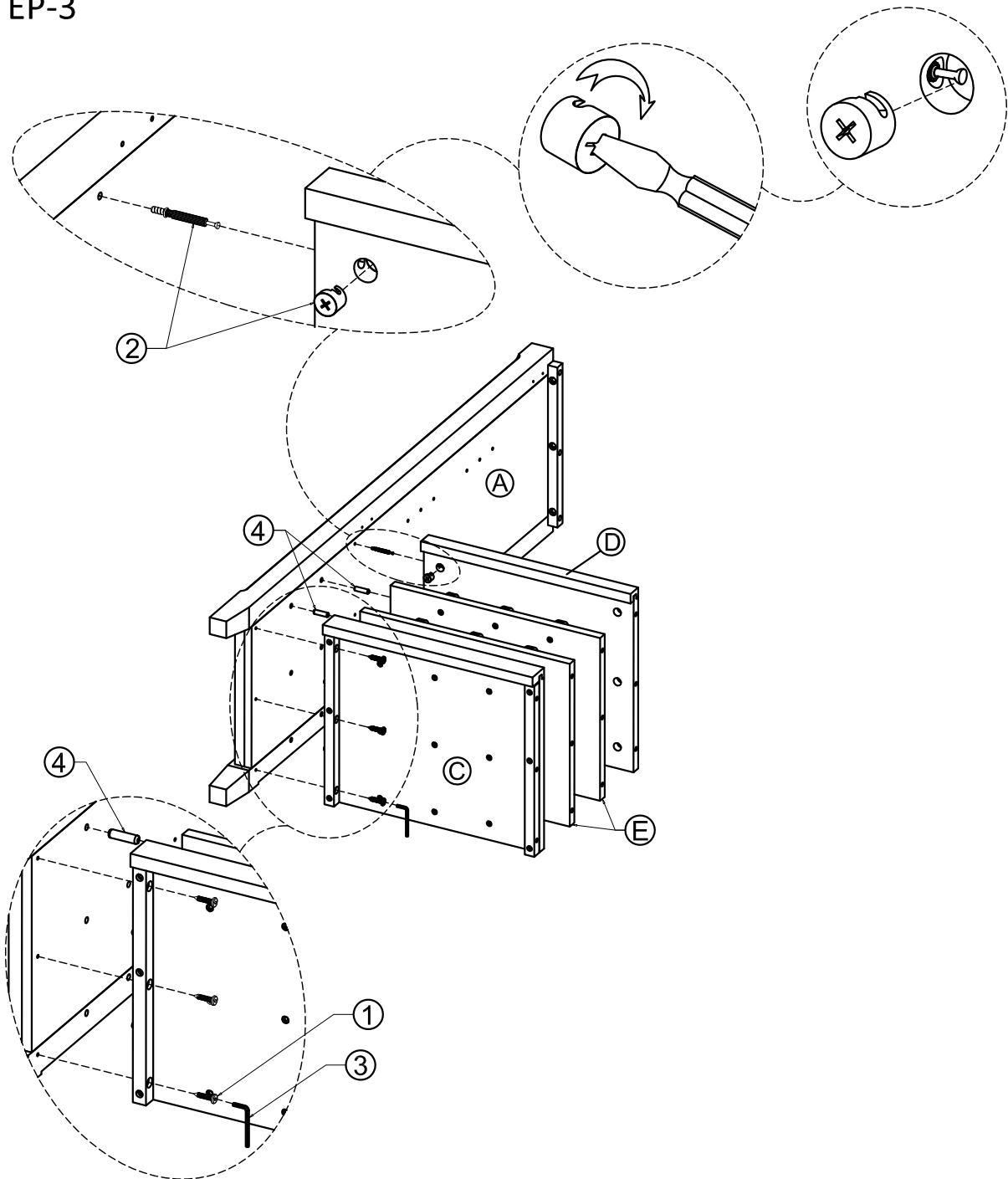
### STEP-2



1. Attach 3 Dividers (H) to Bottom Shelf (C) using 9 Phillips Screws (6).
2. Use a Phillips screwdriver to snugly tighten screw.

# ASSEMBLY

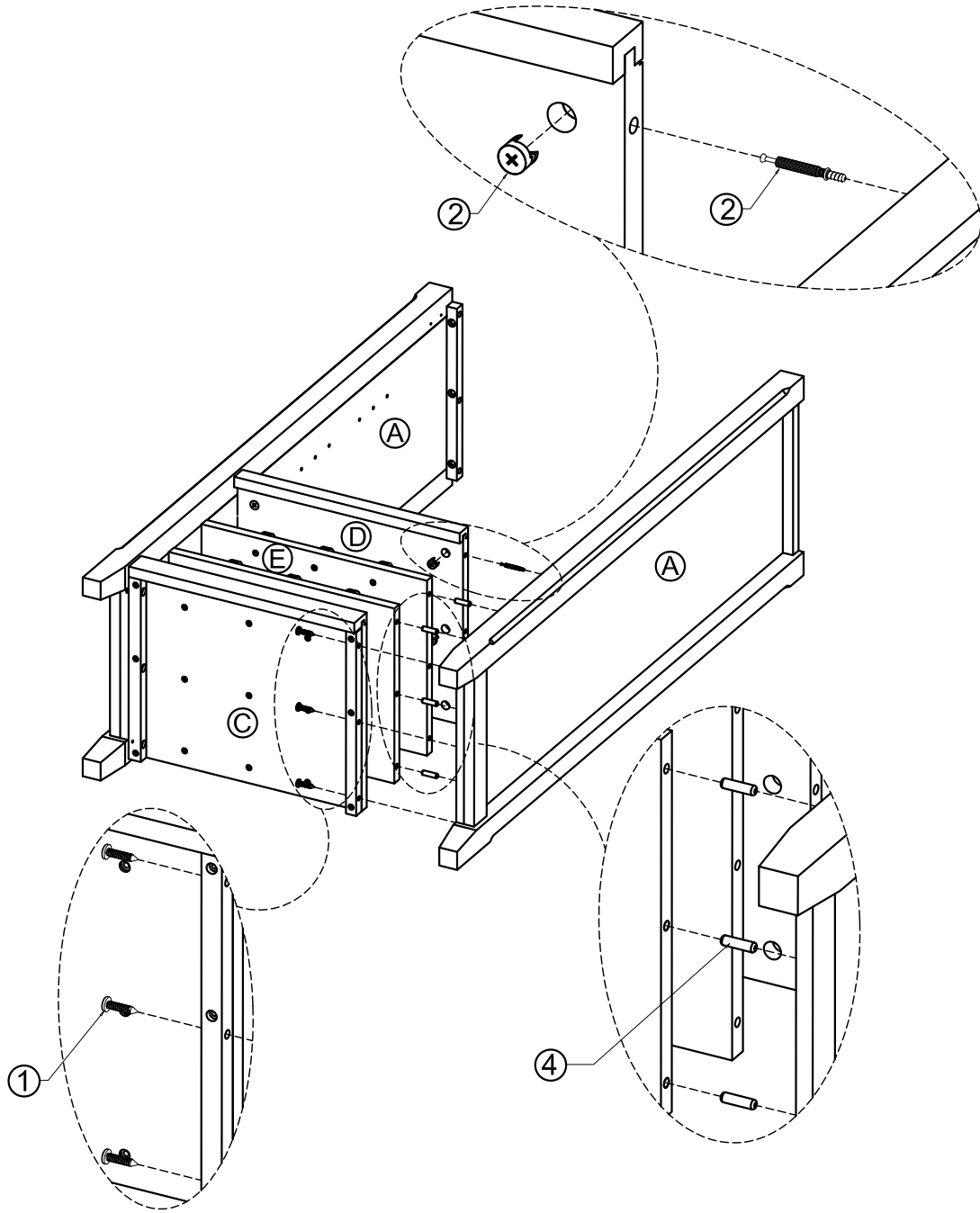
## STEP-3



1. Attach 3 Cam Lock Pins (2) to each Side (A) using guide holes.
2. Align Cam Lock Pins with pre-drilled holes on Top Shelf (D).
3. Insert 3 Cam Locks (2) into pre-drilled holes on Top Shelf (D).
4. Use flathead screwdriver secure Cam Locks.
5. Attach 2 Middle Shelf (E) to Side (A) using 3 Wood Dowel (4) for each Middle Shelf.
6. Attach Bottom Shelf (C) to Side (A) using 3 Allen Key Screw (1) into pre-drilled holes through on bar of Bottom Shelf (C).
7. Use Allen Key (3) to tighten. Do not over-tighten.

# ASSEMBLY

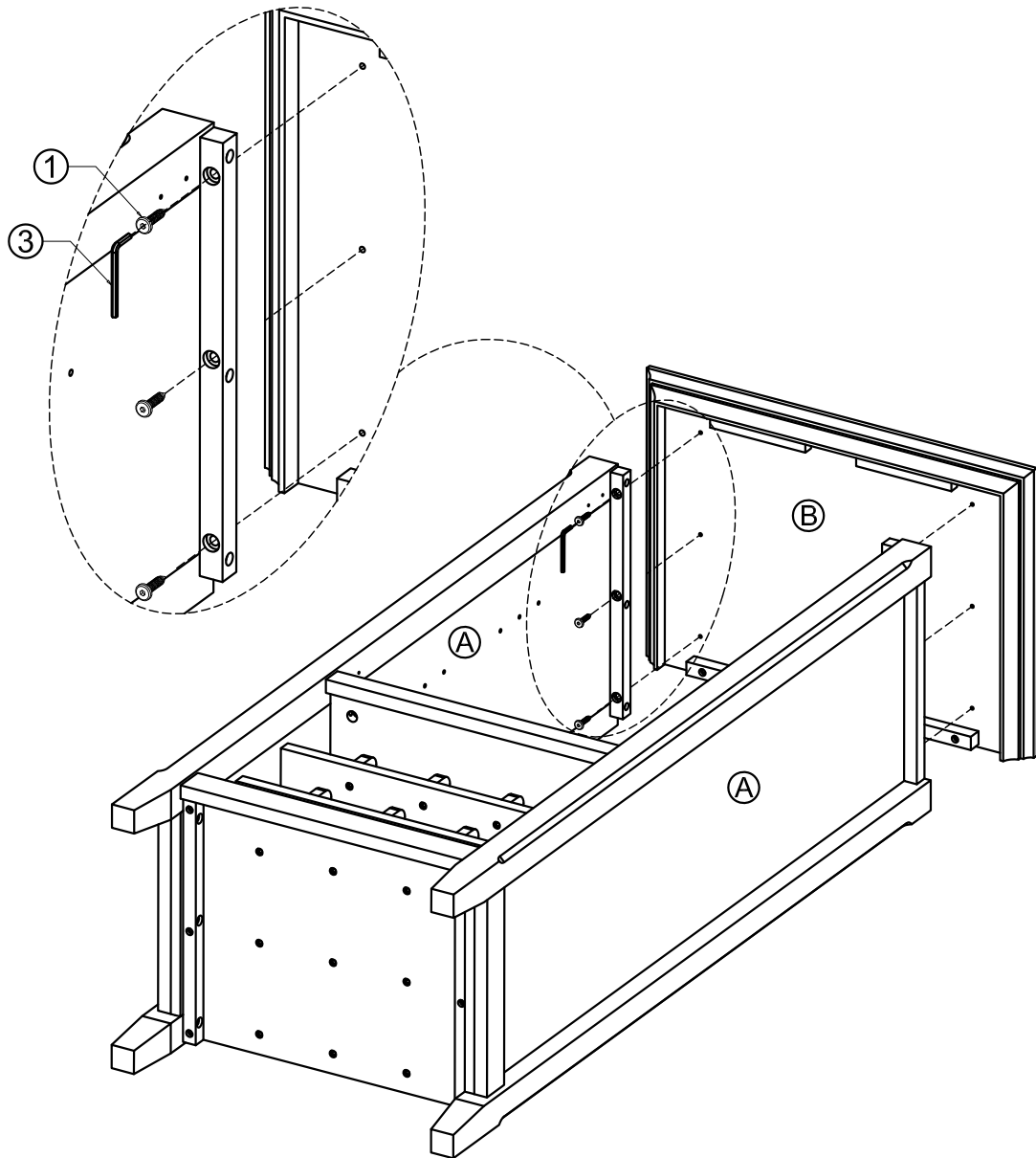
## STEP-4



1. Repeat Step-3 for the opposite side.

## ASSEMBLY

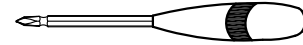
### STEP-5



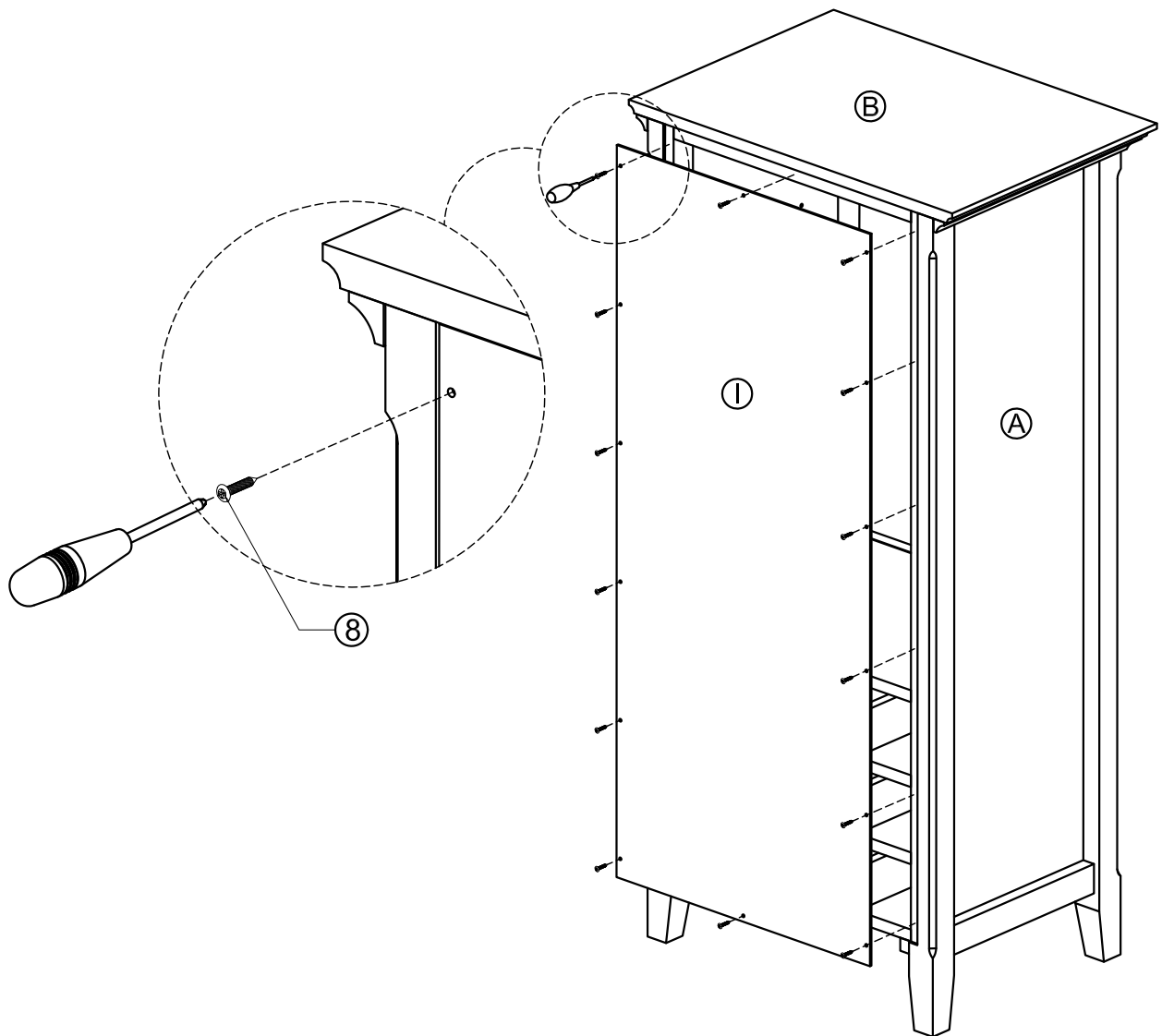
1. Attach Top (B) to Sides (A) and using 6 Allen Key Screws (1) (3 screws on each Side).
2. Use Allen Key (3) to tighten Screws. Do not over-tighten.

## ASSEMBLY

### STEP-6



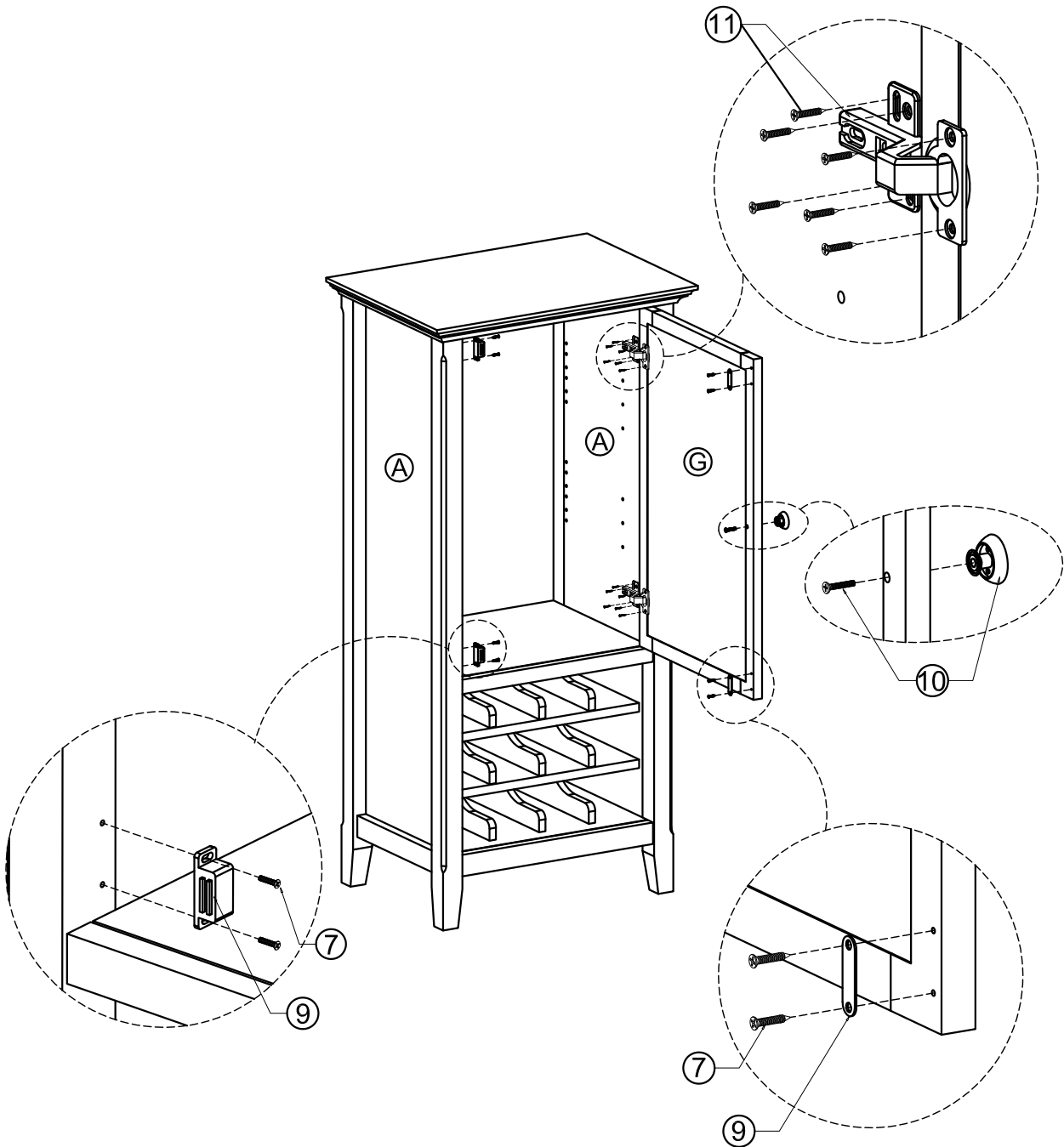
NOTE: The screwdriver is not included in the hardware pack.



1. Attach Back Panel (1) to back frame of wine rack using 14 Phillips Screws Round Head (8) through pre-drilled holes.
2. Use Phillips Screwdriver to tighten screws.

# ASSEMBLY

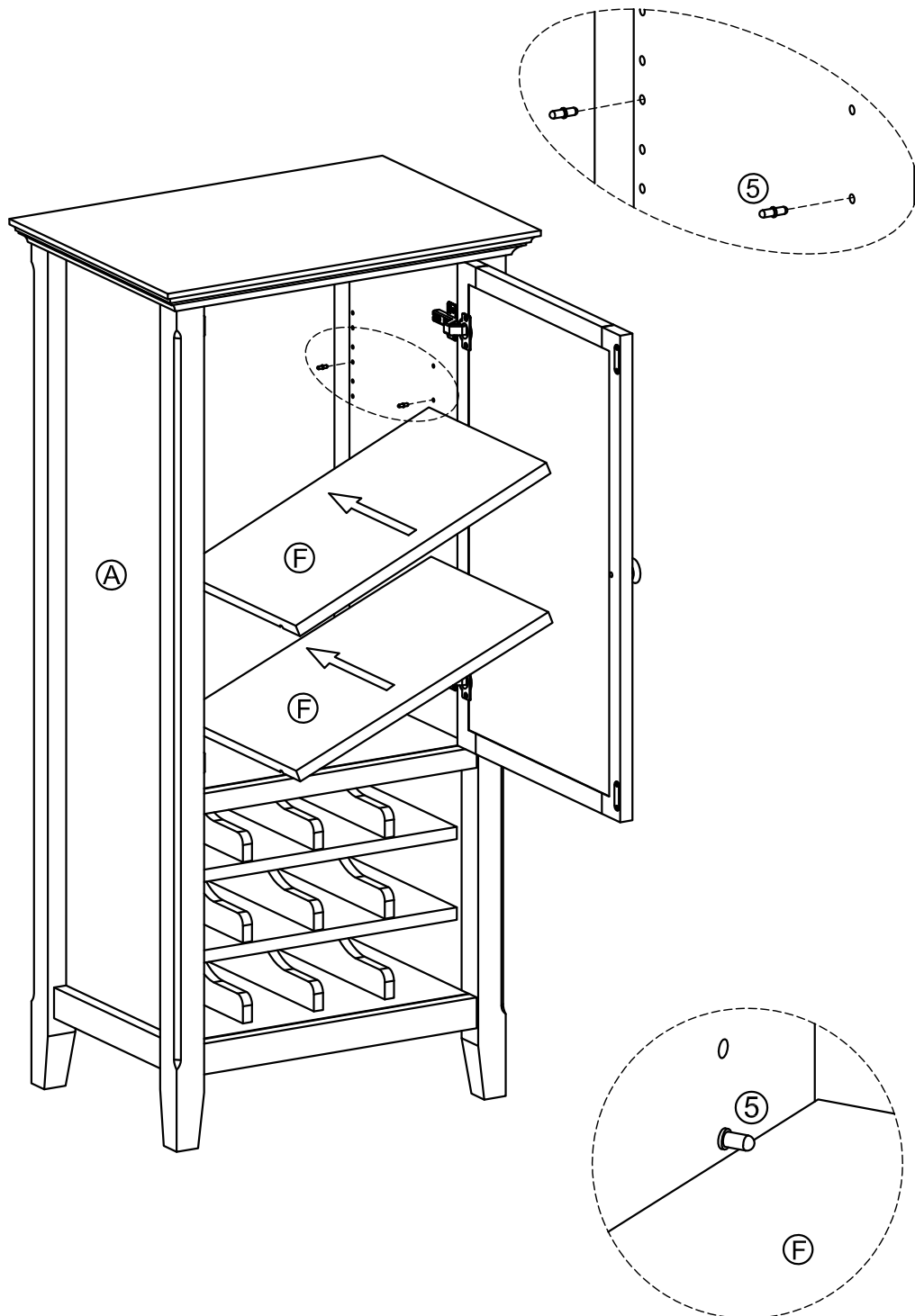
## STEP-7



1. Attach Hinges (11) to Door (G) and Side (A) using Phillips Screws (11) into guide holes.
2. Attach Magnet Plates (9) to corners of Door (G) using Phillips Screws (7) into guide holes on Doors (G).
3. Attach Magnets (9) using Phillips Screws (7) into guide holes on Side (A).
4. Use Phillips screwdriver to snugly tighten screw.
5. Use Phillips screwdriver to attach Handle (10) to Door (G).

# ASSEMBLY

## STEP-8

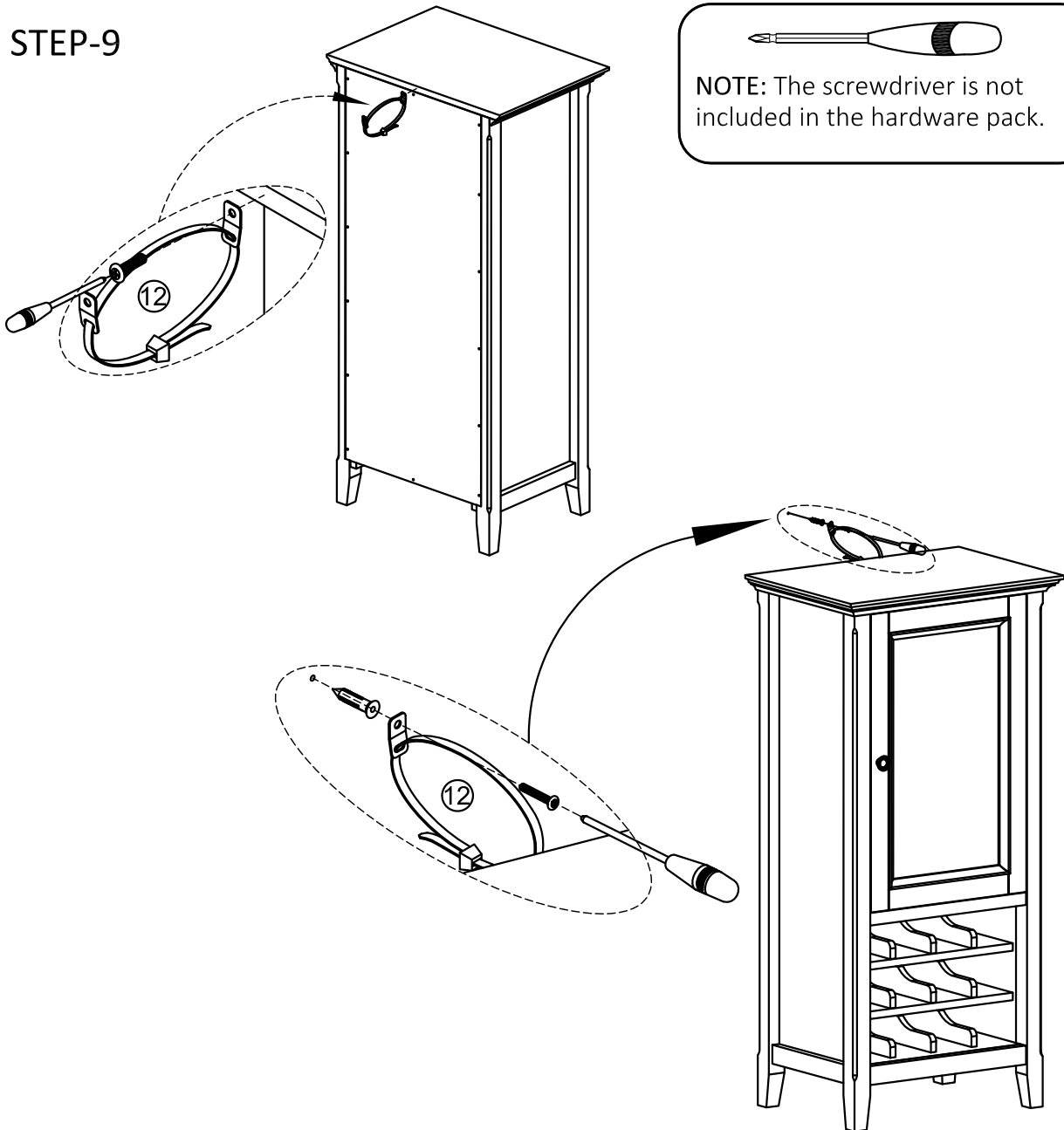


1. Use 4 Shelf Supports (5) for each Cabinet Shelf (F) in desired location.
2. 2 Shelf Supports (5) may be used on back top of each Cabinet Shelf (F) as a tipping restraint.

## ASSEMBLY

NOTE: Injuries and damage can occur from furniture tip-over. It is important to use the safety bracket included. If the tipping restraint kit is not in the box, please contact our customer service department in order to obtain another kit before using the furniture.

### STEP-9



1. To attach Tipping Restraint ⑫, follow instructions on Tipping Restraint package.

***When you determined the location for your unit, install the Furniture Tipping restraint. Carefully follow the instructions contained on the package.***

## WARRANTY

Thank you for purchasing our product. These products have been made to demanding, high-quality standards and are guaranteed for domestic use against manufacturing faults for a period of 12 months from the date of purchase. This warranty does not affect your statutory rights.

We reserve the right to repair or replace the defective product, at its discretion.

This product is guaranteed for 12 months if used for normal purposes. Any warranty is invalid if the product has been overloaded or subject to neglect, improper use or an attempted repair by other than an authorized agent. Heavy-duty or daily professional/commercial usage are not guaranteed.

Due to continuous product improvement, we reserve the right to change the product specifications without prior notice.

**PLEASE NOTE:** This item is hand-crafted and hand-finished with utmost care. As such, variations and imperfections should be expected and should be welcomed as the natural beauty of the wood.