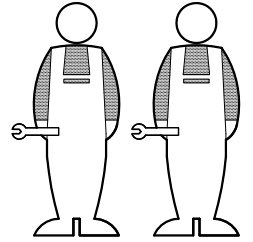
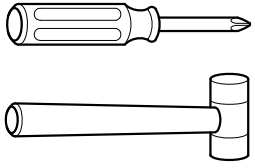


**ASSEMBLY INSTRUCTIONS**

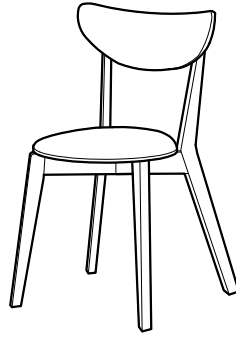
Item : Dining Chair



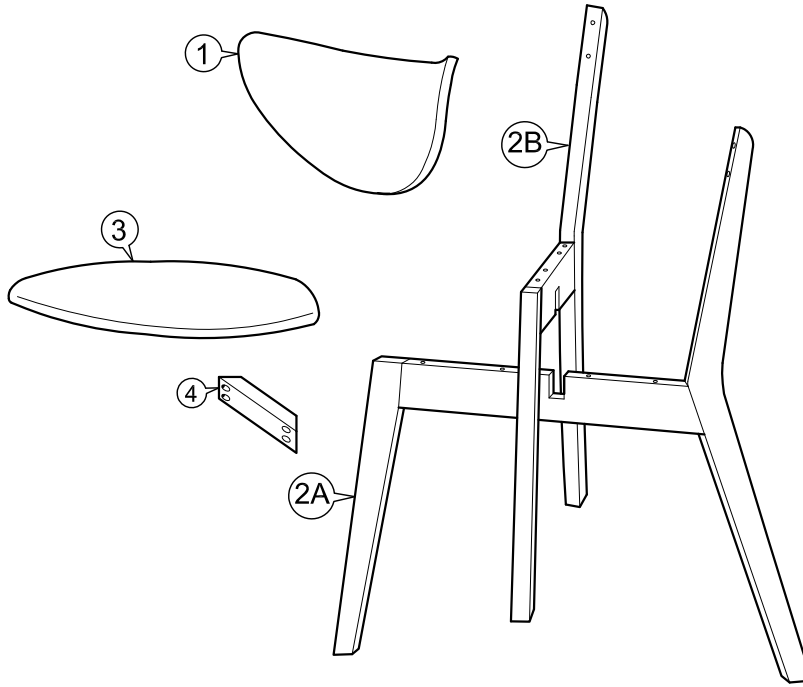
2 Persons



Not Provided

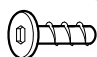
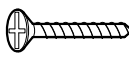

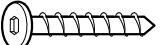
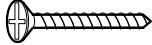


**Part List :**

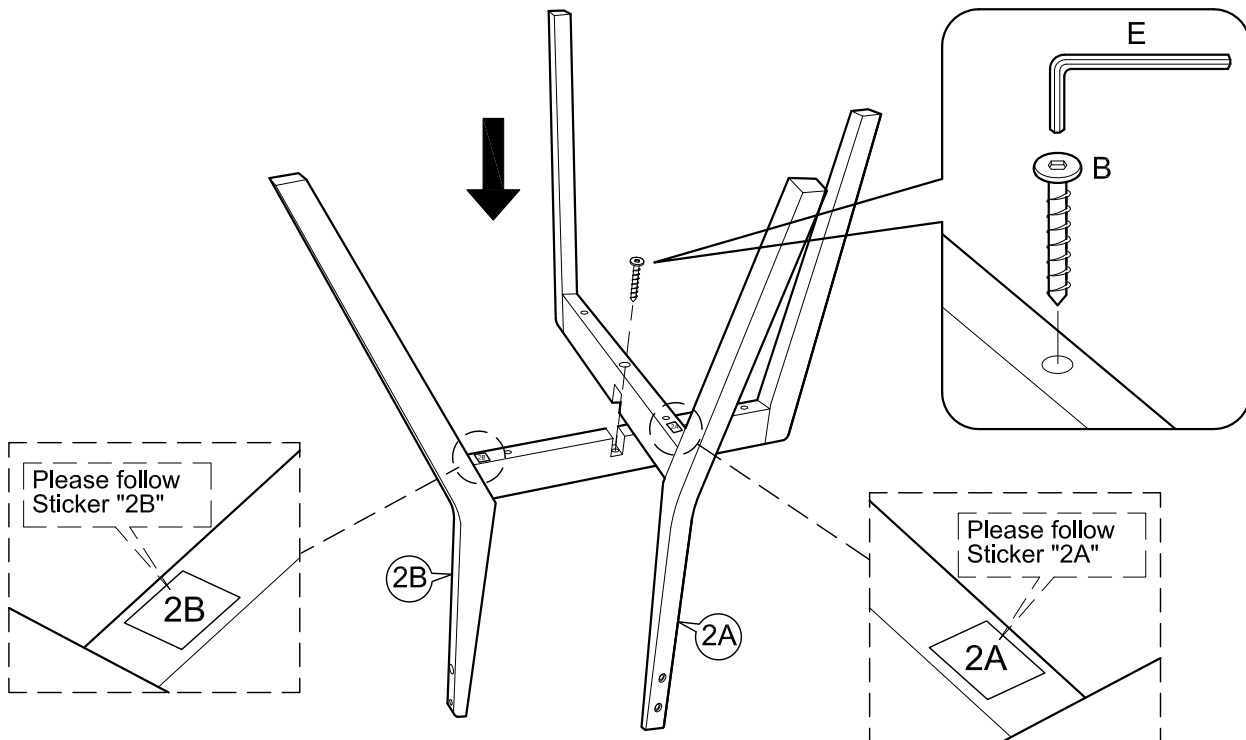


(x2)

**Hardware List**

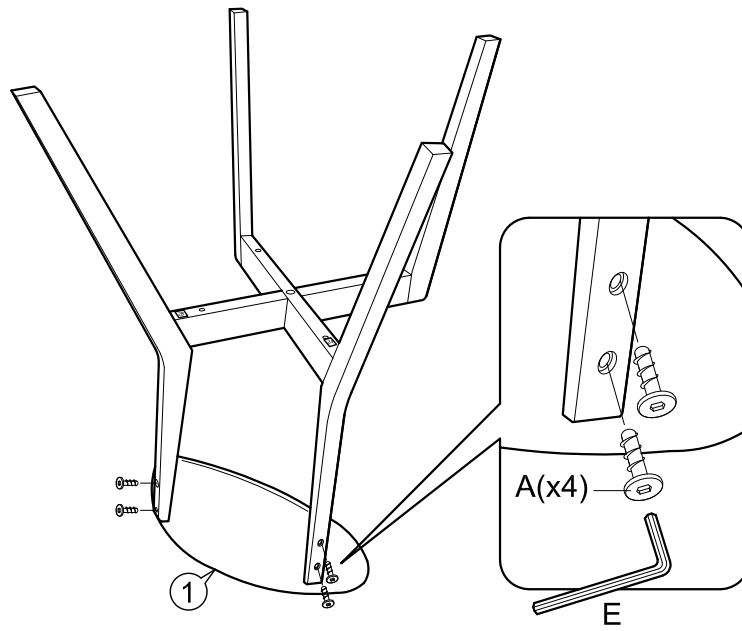
<p>A M7 x 25mm = 8</p> 	<p>C M4 x 32mm = 8</p> 	<p>E = 1</p> 
<p>B M7 x 40mm = 2</p> 	<p>D M4 x 38mm = 8</p> 	

1



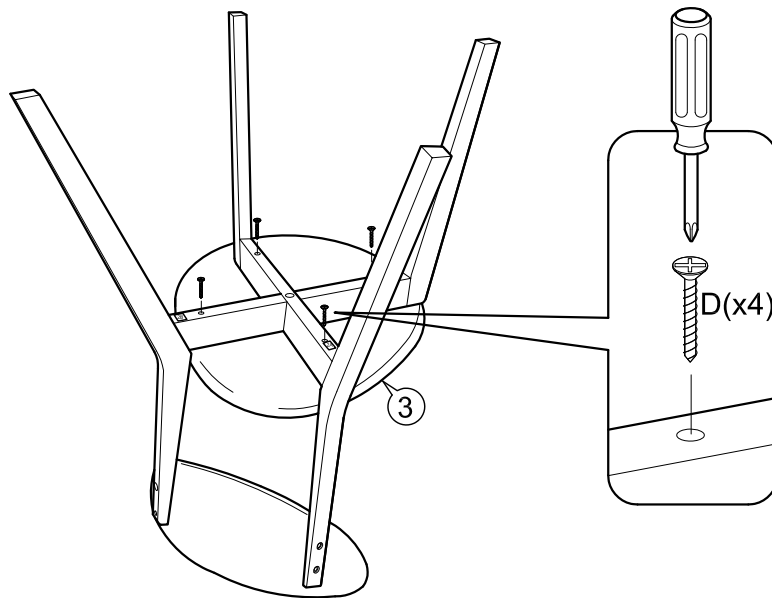
(x2)

2



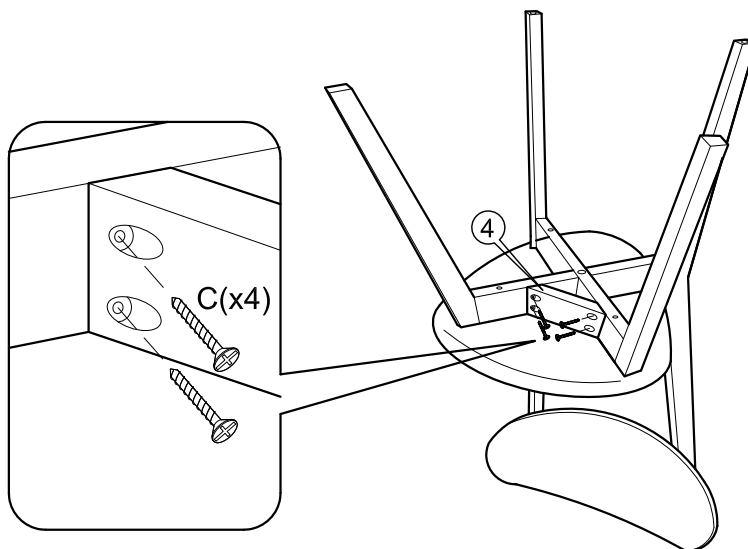
(x2)

3



(x2)

4



(x2)