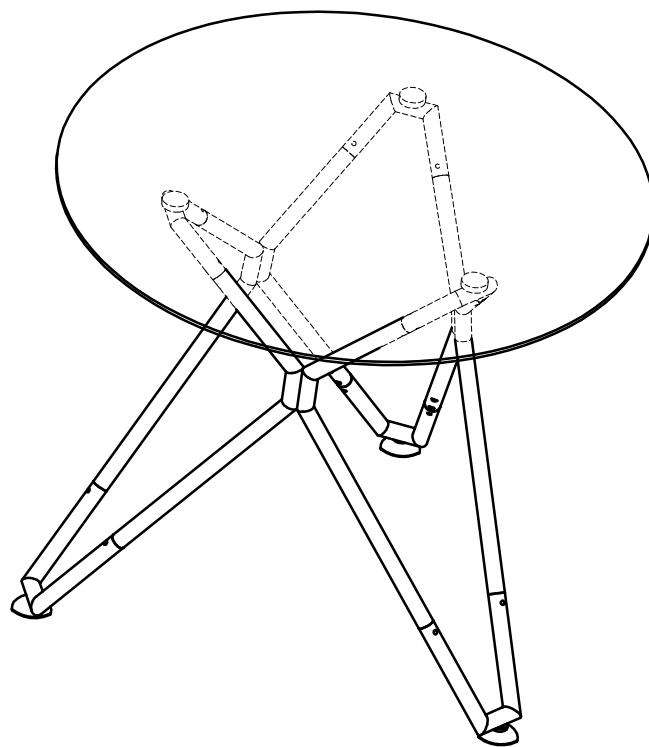


# Installation & Assembly



---

## General Guidelines

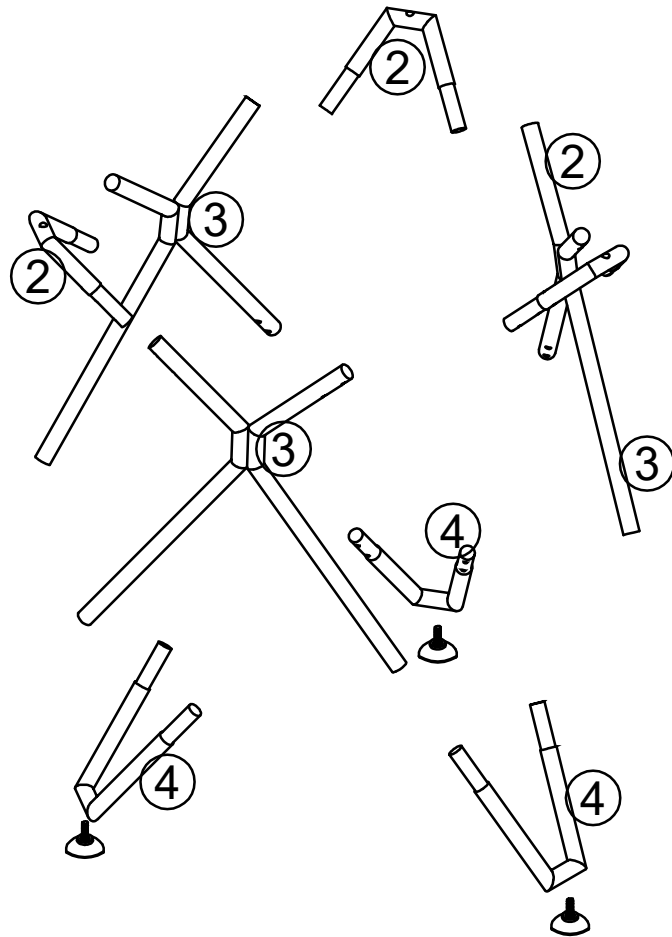
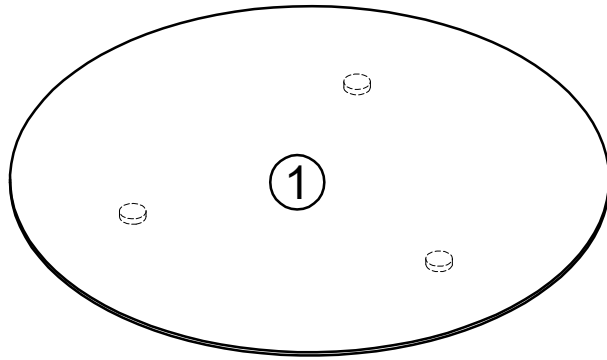
- Please read the following instructions carefully and use the product accordingly
- Please keep this manual and hand it over when you transfer the product.
- This summary may not include every detail of all variations and considered steps. Please contact us when further information and help are needed.

## Notes

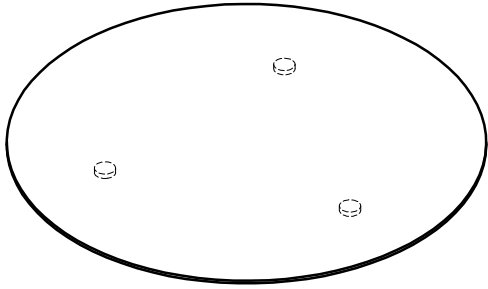
- The product is intended for indoor use only. The product must be assembled and used in accordance with the provisions of the manual. Personal injury and/or damage to product may occur if it used outside of its intended purposes and/or if it has been changed/modified from its original design.
- The seller does not assume any responsibility or liability for any injury/damage caused by incorrect assembly or improper use.
- Keep the product away from fire sources and high temperatures.
- Do not place any hot objects on the surface of the product.
- If there are any defective or missing parts after unpacking, please cease assembly immediately and contact us.
- Please assemble the item on a spacious surface and do not place the unwrapped product directly on the ground to avoid product damage.
- Please wear gloves during the assembly and/or disassembly process to avoid scratches from any sharp edges.
- Please match the corresponding part and fitting based on the part number in the manual.
- If the part does not match with the fitting, please check the piece as specified in this manual.
- During assembly, first loosely align all screws with the corresponding pre-drilled holes and then tighten the screws one by one.
- Periodically inspect screw tightness while the product is in use. if necessary, retighten to ensure structural integrity.
- Please keep the product away from sharp, pointed objects and corrosive substances to prevent product damage.
- Please place this item on level, solid ground during use.

## Warnings

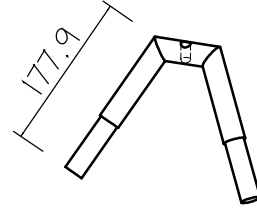
- During assembly, keep all small parts out of the reach of children. it may be fatal if swallowed or inhaled.
- To avoid the potential dangers of suffocation, please keep all parts and packaging (film, plastic bags, foam, etc.) away from babies and children.
- Keep sharp objects and corrosive items away from the product to avoid any damage or injury.



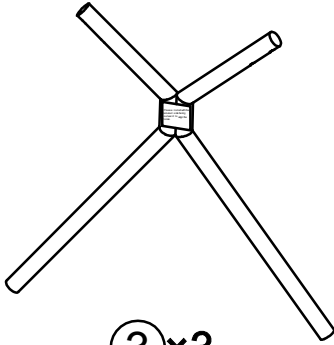
# Part list



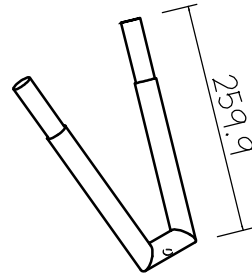
①×1



②×3



③×3



④×3

# Hardware list



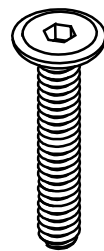
S4

Ⓐ×1



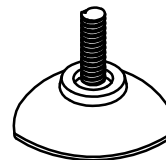
M6×12mm

Ⓑ×24+1

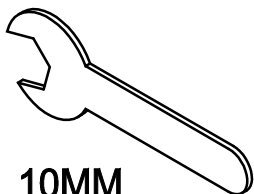


M8×30mm

Ⓒ×3+1



Ⓓ×3



10MM

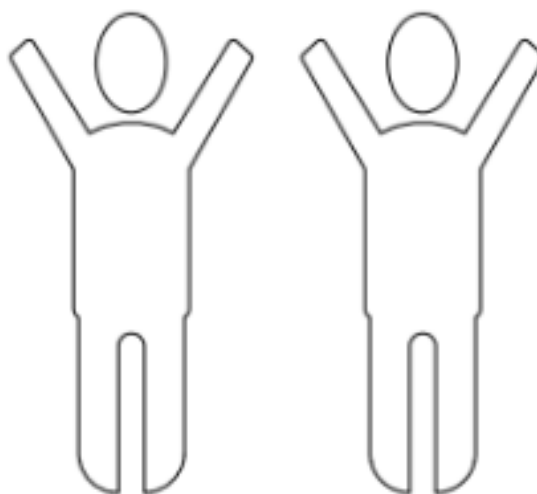
Ⓔ×1



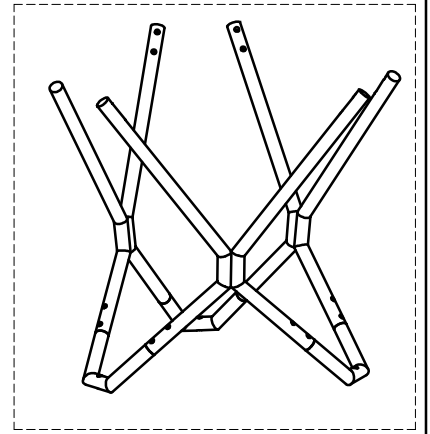
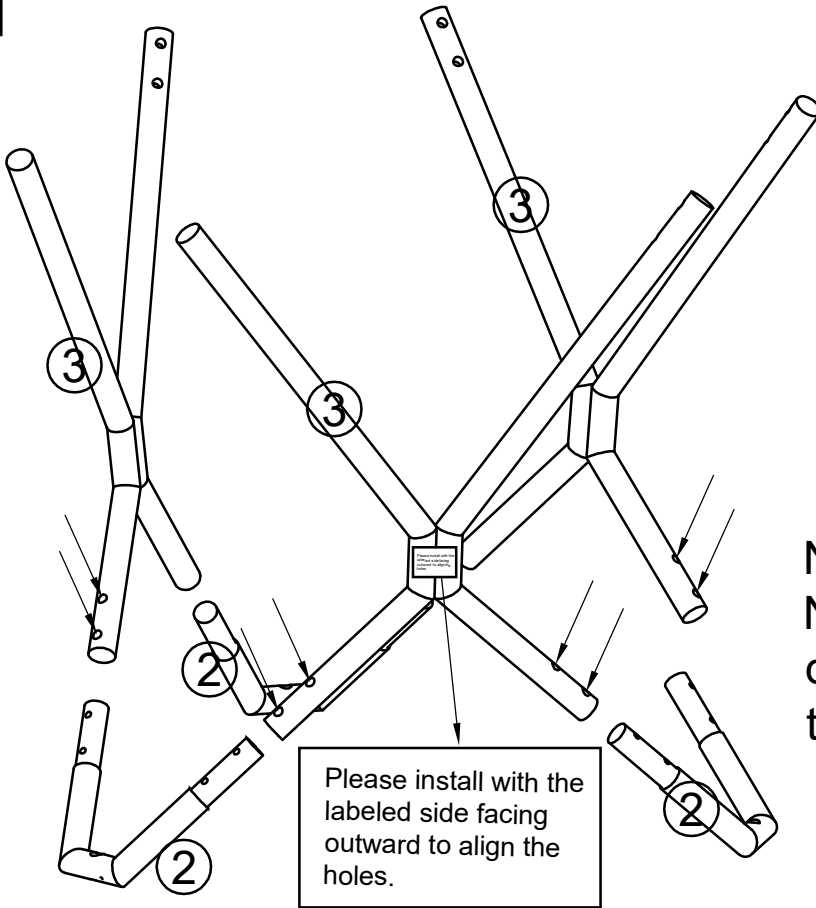
S5

Ⓕ×1

Requires



1

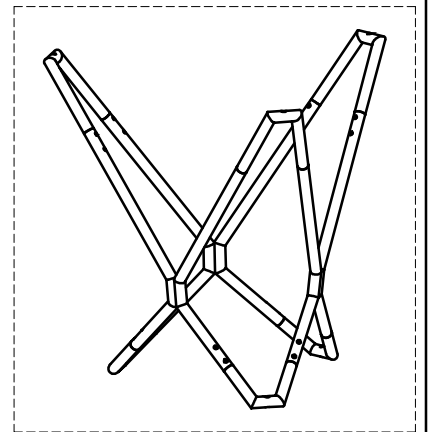
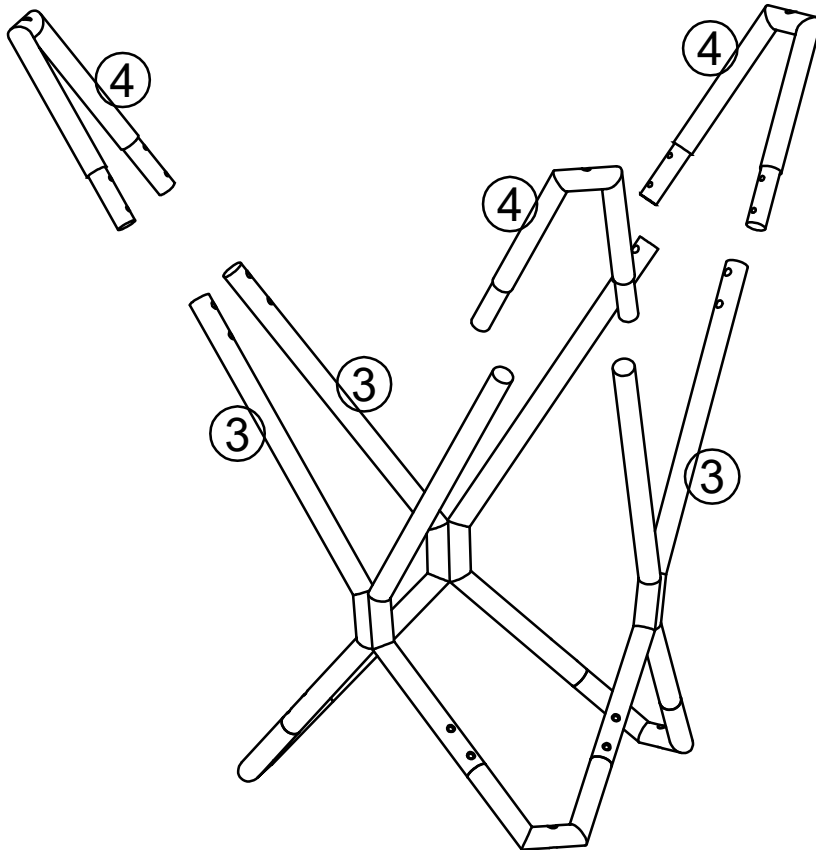


Note the direction of hole No. 3. If the hole position does not match, please turn part 3 over.

Please install with the labeled side facing outward to align the holes.

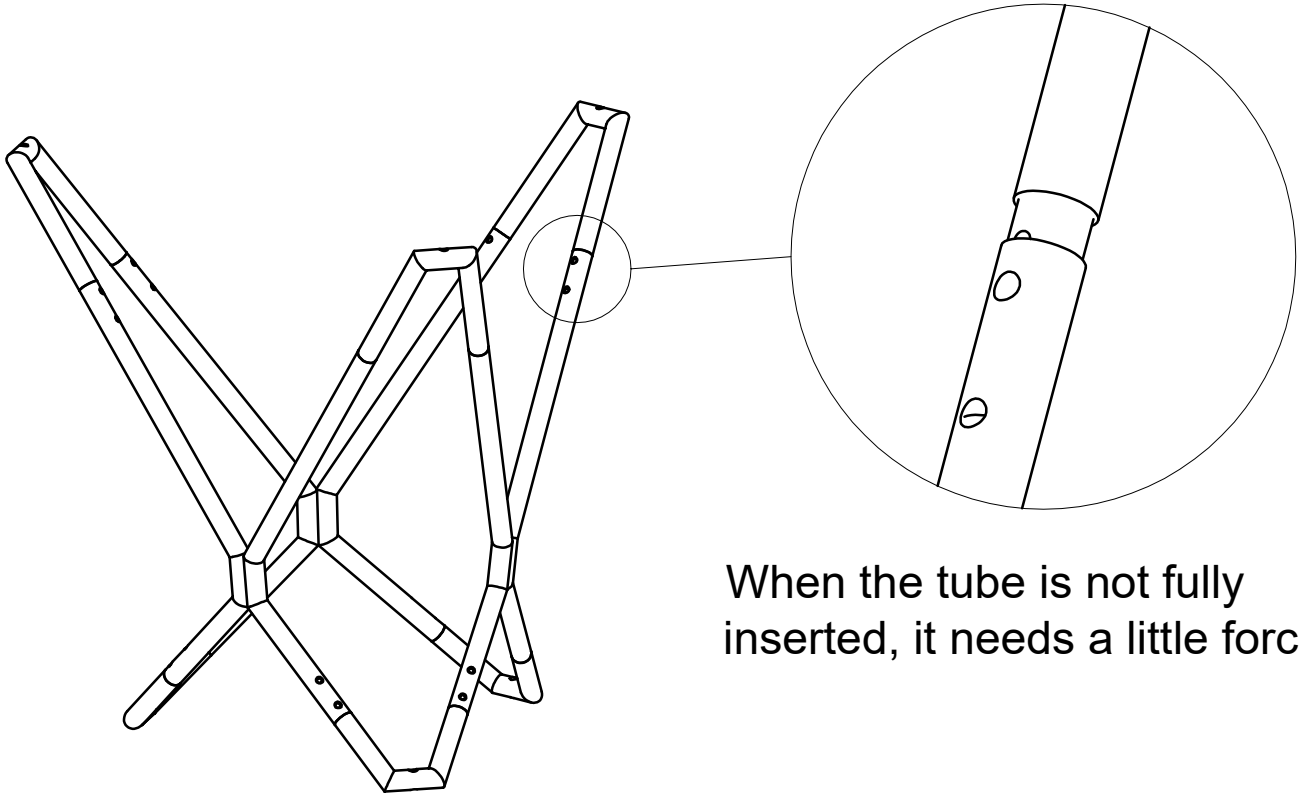
Short side to short side, long side to long side.

2



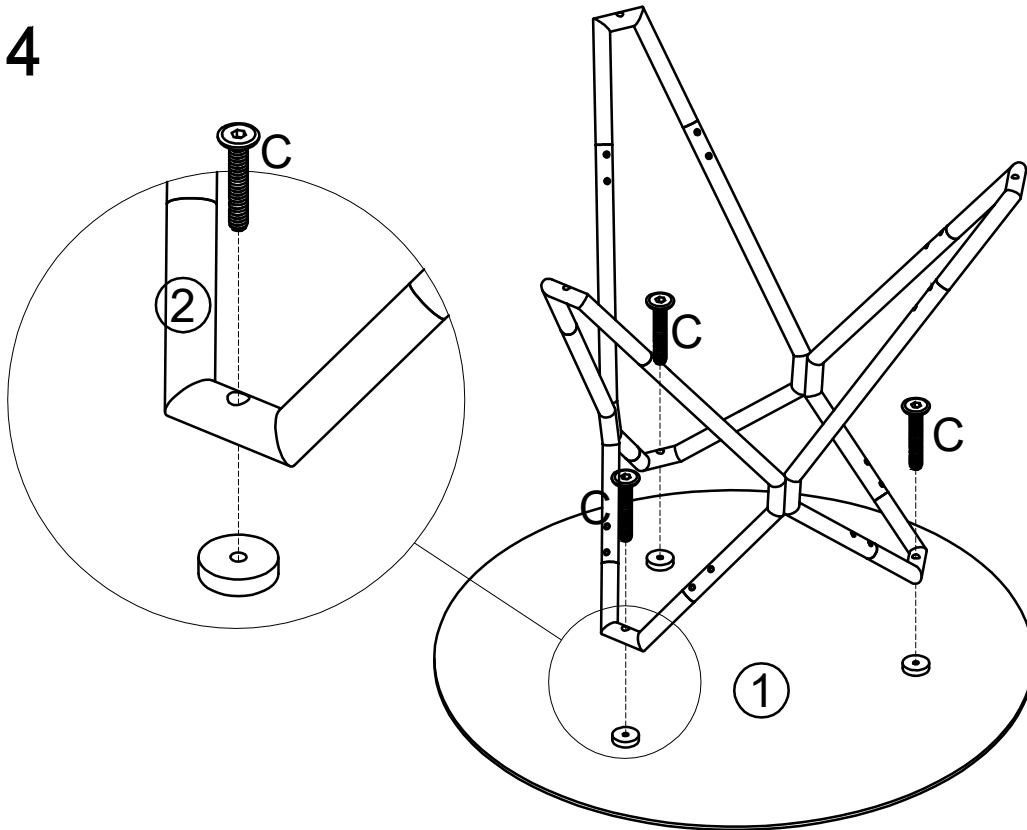
Short side to short side, long side to long side.

3



When the tube is not fully inserted, it needs a little force.

4

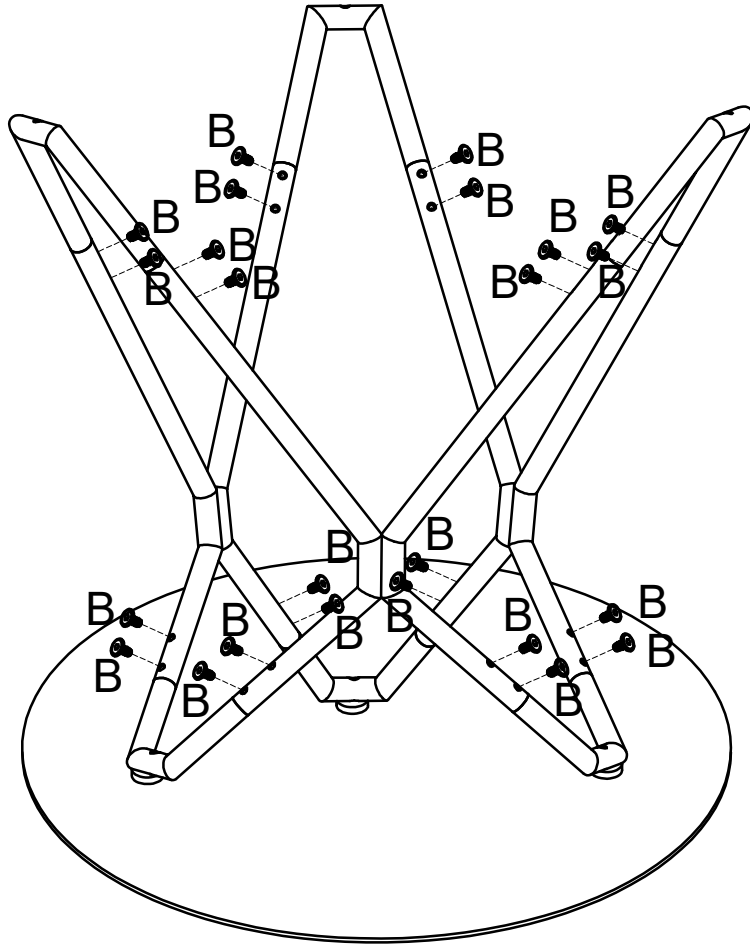


Keep the floor tidy, or please place carpet.

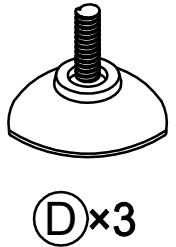
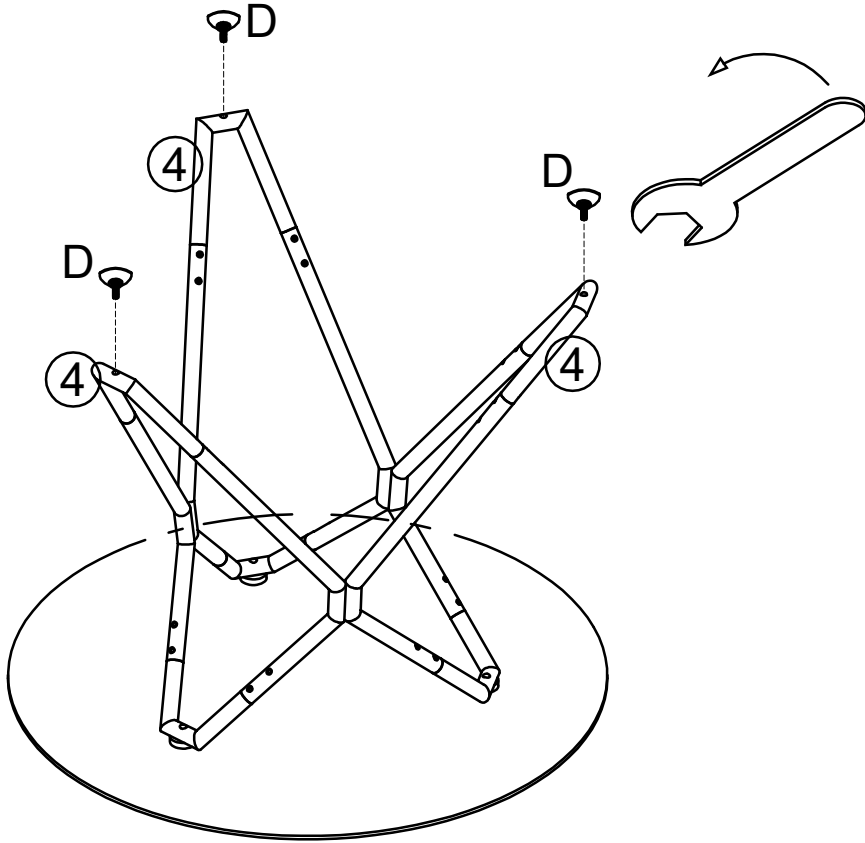


Ⓒx3

5

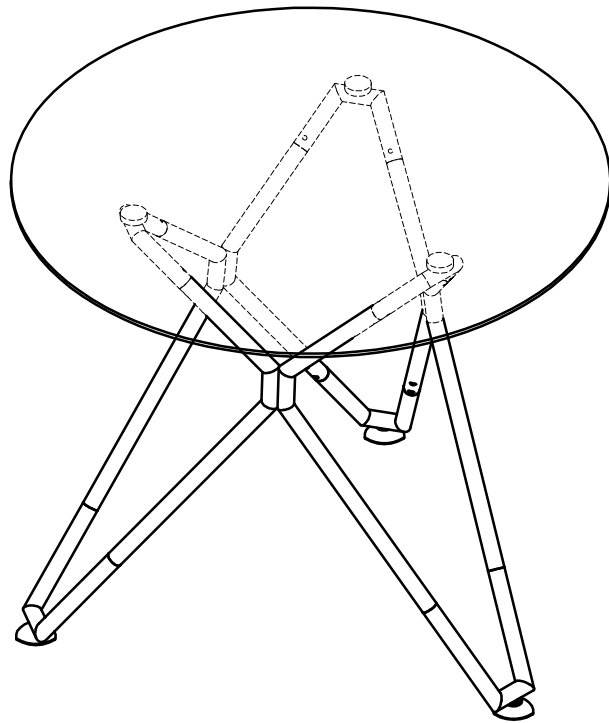


6



It's easier to screw in H pieces of screws vertically.

7



**【Attention】**

After completing all installation steps, ensure each screw is fully tightened.

If any screw is loose, tighten it completely.