

# ASSEMBLY INSTRUCTIONS



*Fine Furniture for every stage of life*

**(B1&B2)**  
***Dining Table***

REVISION 0 : 05/30/2018  
REVISION 1 : 09/04/2018  
REVISION 2 : 07/01/2020  
REVISION 3 : 10/16/2025

**PAGE 1 OF 5**

# ASSEMBLY INSTRUCTIONS

## ASSEMBLY TIPS:

1. Remove hardware from box and sort by size.
2. Please check to see that all hardware and parts are present prior to start of assembly.
3. Please follow attached instructions in the same sequence as numbered to assure fast & easy assembly.

### WARNING!



1. Don't attempt to repair or modify parts that are broken or defective. Please contact the store immediately.
2. This product is for home use only and not intended for commercial establishments.



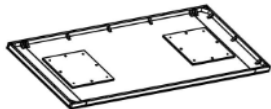
**ASSEMBLY TIME**

**10 MINUTES**

## PARTS IDENTIFICATION

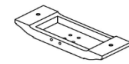
### B1 (BOX 1)

AN TOP



1PC

DN BASE



2PCS

BN LEAF



2PCS

EN CROSSBAR



1PC

CN MOUNTING PLATE



2PCS

### B2 (BOX 2)

FN PEDESTAL COLUMN



2PCS

## HARDWARE IDENTIFICATION

### Z-B1(BOX 1) - HARDWARE PACK IS LOCATED IN (B1)

1 LONG BOLT  
(5/16" x 45mm - BLK)



12PCS

5 FLAT WASHER  
(5/16" x 22D x 2mm - BLK)



28PCS

2 SHORT BOLT  
(5/16" x 38mm - BLK)



8PCS

6 ALLEN WRENCH  
(4mm - BLK)



1PC

3 HEX NUT  
(5/16" x 12mm - BLK)



8PCS

7 WRENCH  
(12mm - BLK)



1PC

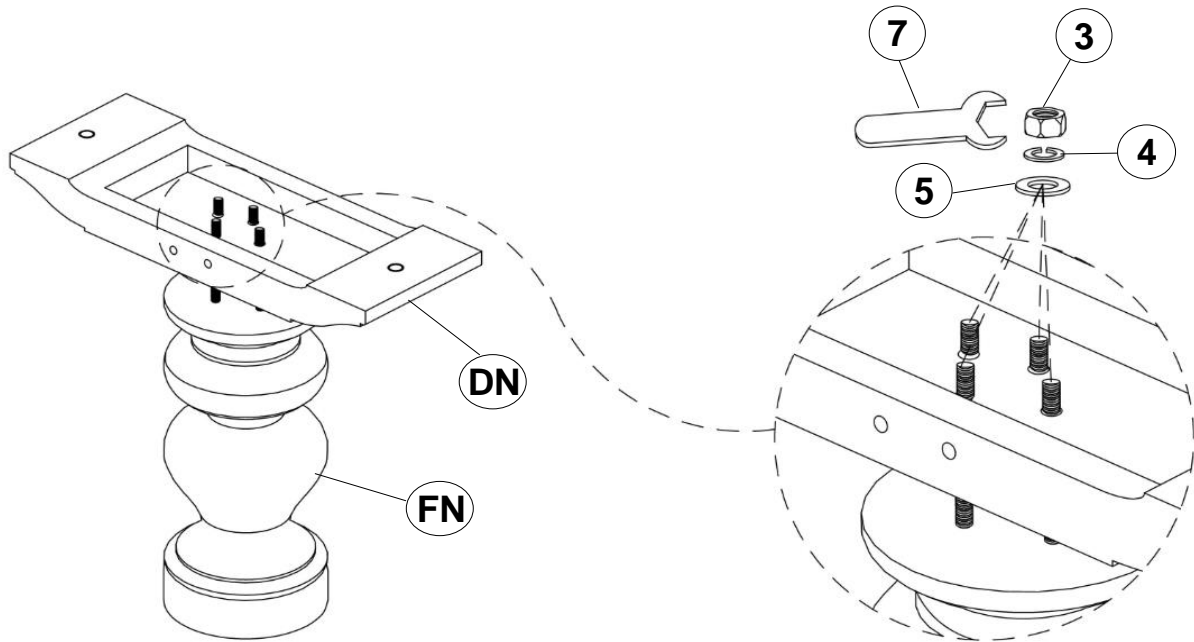
4 LOCK WASHER  
(5/16" x 12D x 1.1mm - BLK)



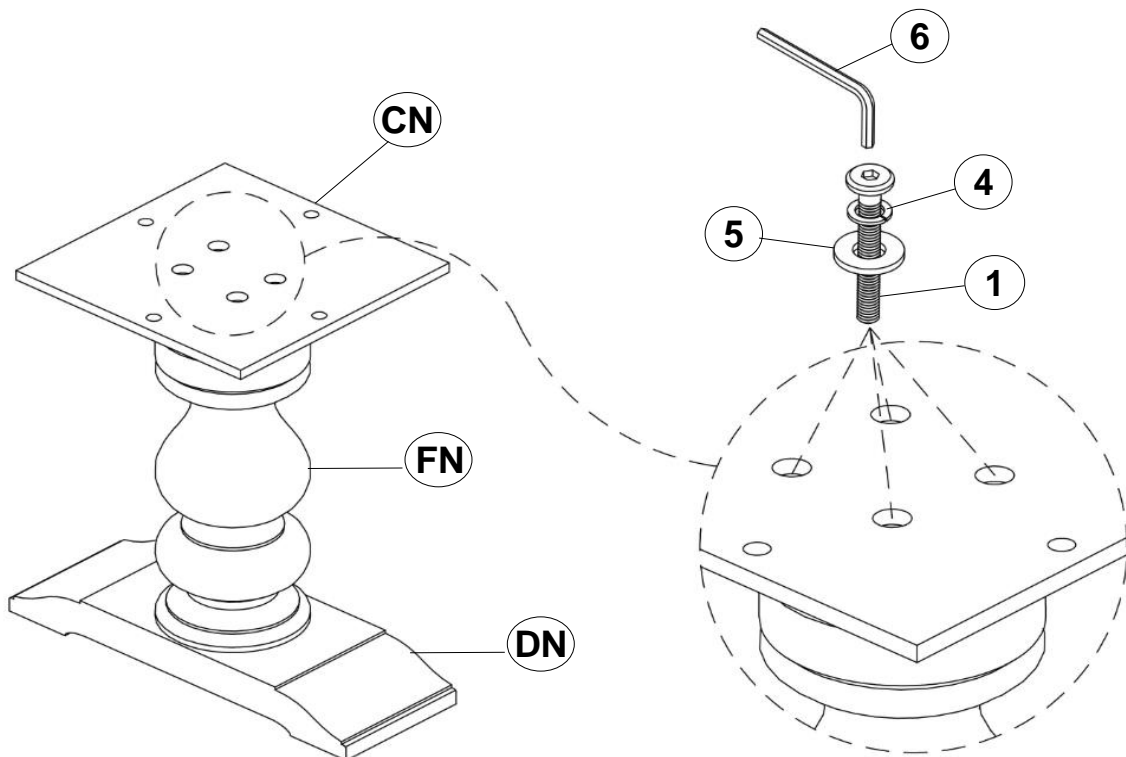
28PCS

# ASSEMBLY INSTRUCTIONS

## STEP 1

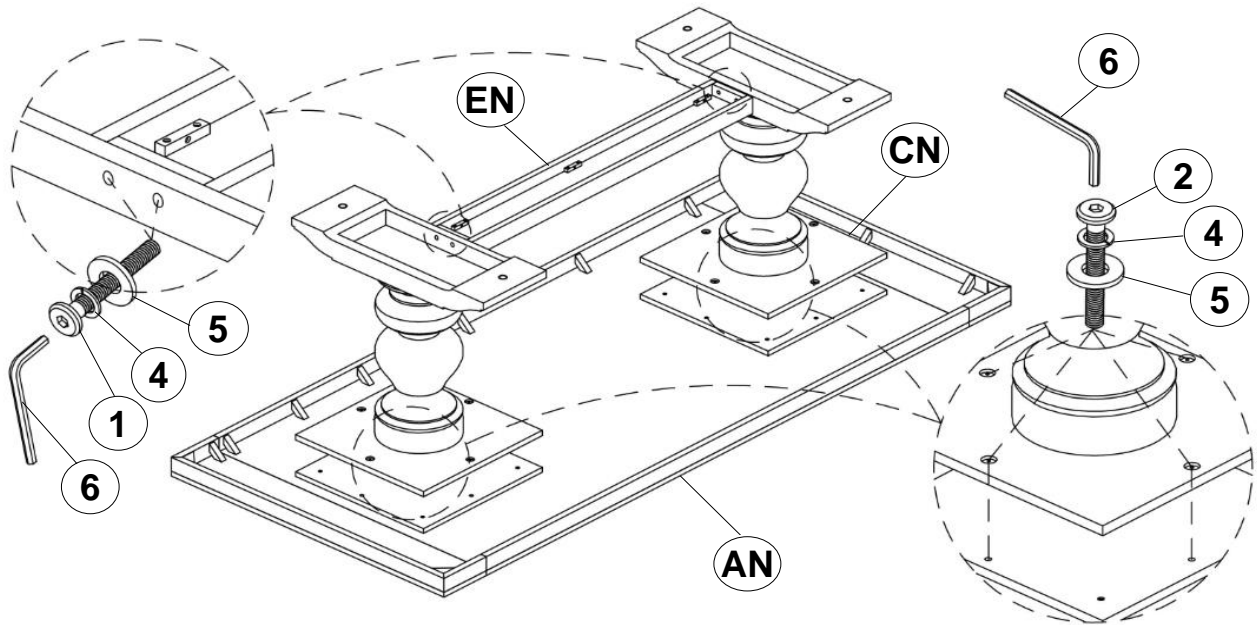


## STEP 2

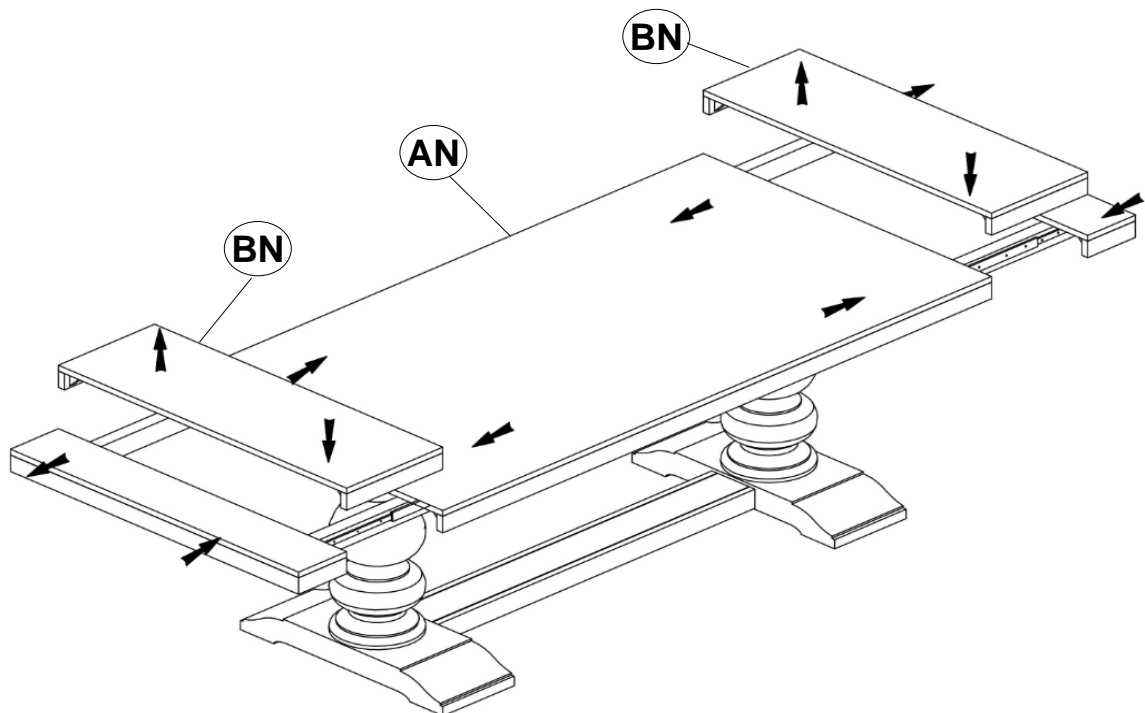


# ASSEMBLY INSTRUCTIONS

## STEP 3

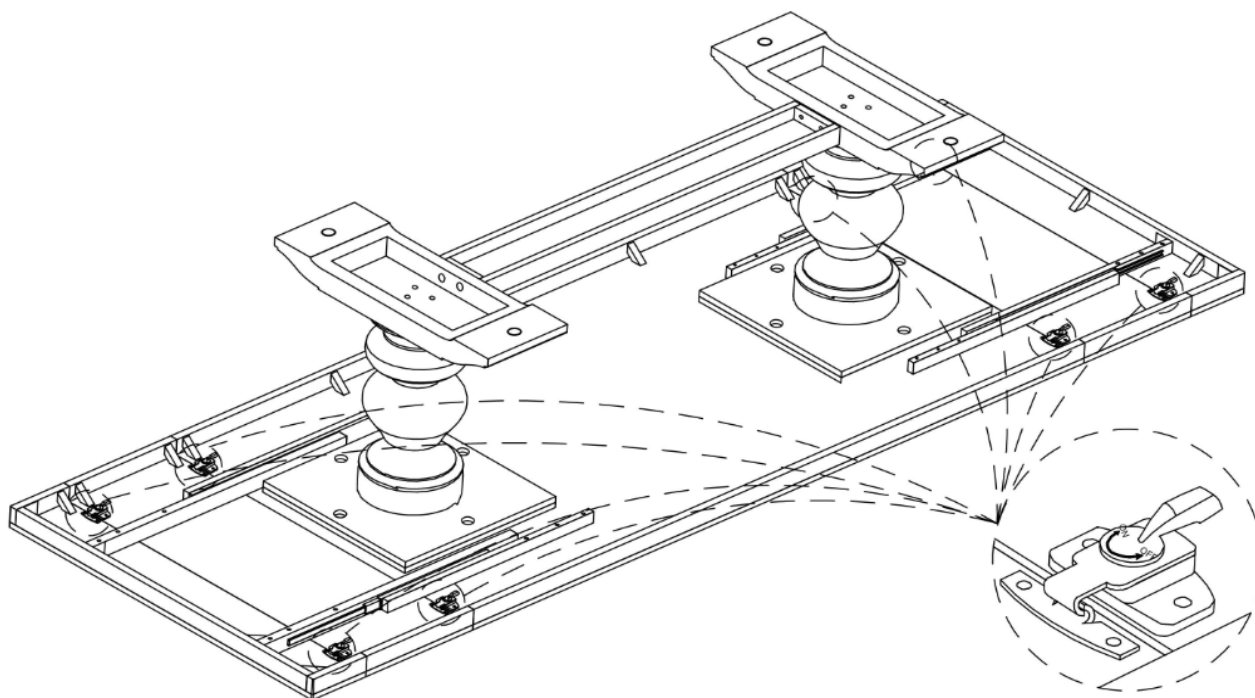


## STEP 4

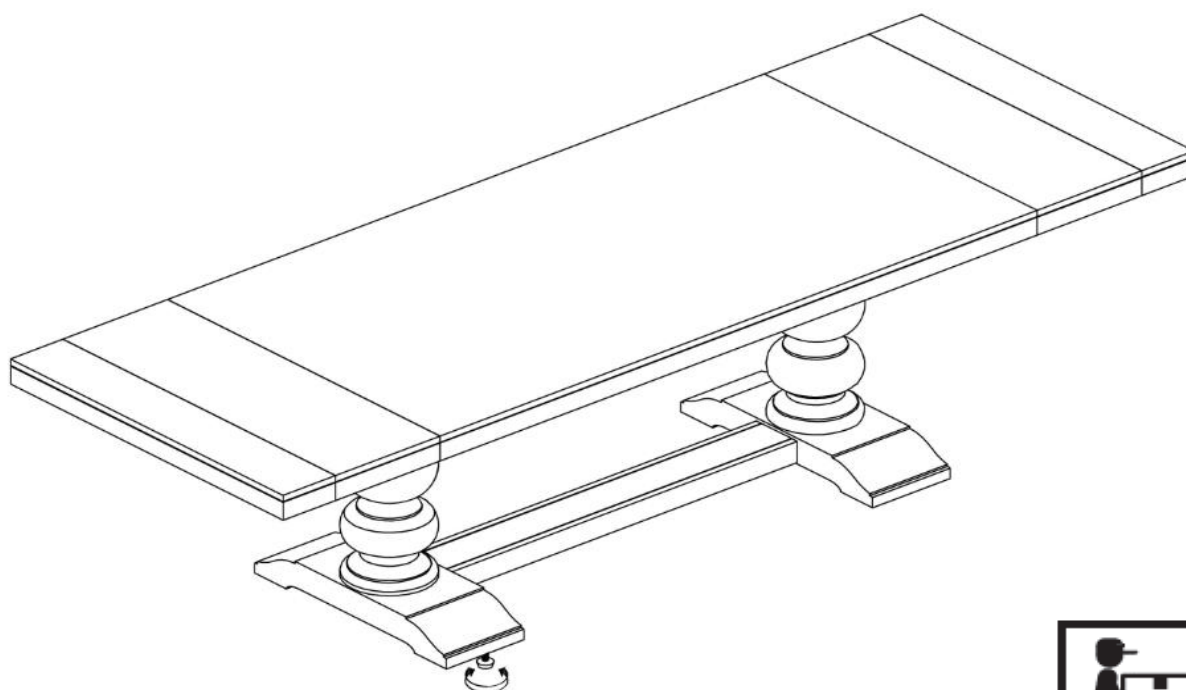


# ASSEMBLY INSTRUCTIONS

## STEP 5

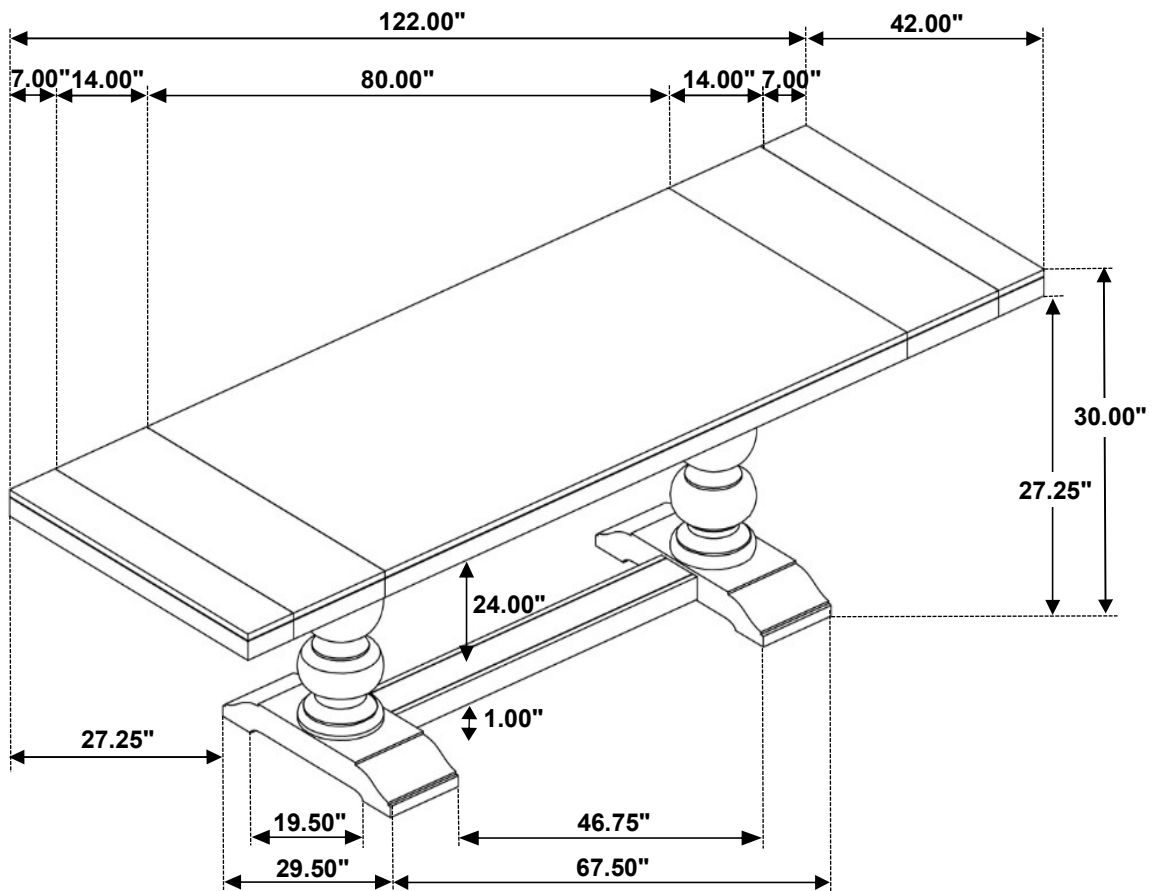


## STEP 6 COMPLETE



ADJUSTABLE LEVELER





**Note: Dimension tolerance  $\pm 5\%$**