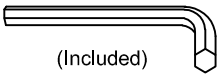


**TOOLS REQUIRED**



(Included)

**Allen Wrench**



**2 - People**

**ASSEMBLY RATING**



EASY —————> DIFFICULT

The Assembly Rating is a 5-point system showing the level of effort needed to assemble a specific product.

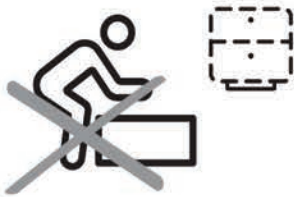
# PRE ASSEMBLY INTRODUCTION

We understand building ready-to-assemble furniture can be a challenging experience for some. To help avoid confusion, we have provided some helpful tips that may speed up the process.



## Teamwork

ALWAYS have at least two people to help with transporting and assembling the product to avoid potential injury and/or damage.



## Suitable Location

Assembling near the area of the intended location is highly recommended.



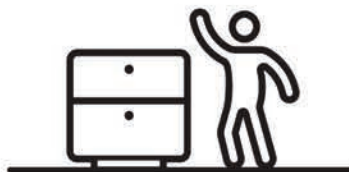
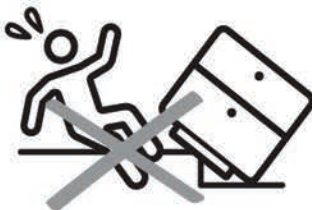
## Sufficient Space

Make sure you have enough space to move around during the assembly.



## Avoid Scratches

Use cardboard, blankets or a carpeted area while assembling furniture to prevent scratches and damages.



## Flat Surface

Make sure the furniture rests on a flat and level surface with each leg evenly touching the floor.

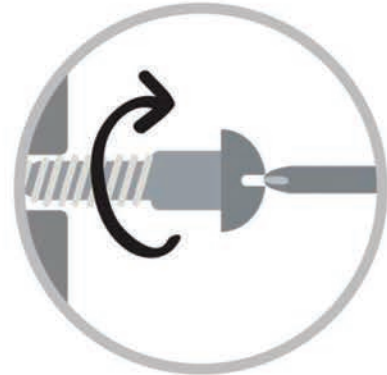
# ASSEMBLY AND CARE ADVICE



**FAILURE TO FOLLOW THE GUIDELINES BELOW MAY RESULT IN INJURY AND/OR PROPERTY DAMAGE.**



Position each part correctly and insert screws or bolts into their respective holes.



Turn clockwise to tighten and only tighten when step is completed or when instructed to do so.



Use the appropriate hand tools or power tools for assembly. Select steps, such as tightening screws and/or bolts, may require hand tools to avoid causing damage during assembly.



Save the instructions and store any supplied tools for later maintenance.



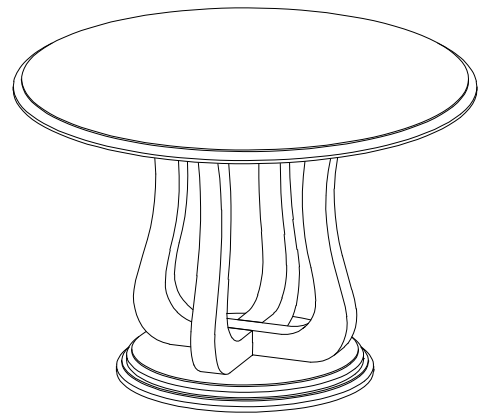
After two weeks, check and tighten any loose hardware and repeat again every six months thereafter.

**IT IS THE USER'S RESPONSIBILITY TO MAINTAIN THE FURNITURE. THE HARDWARE MAY LOOSEN OVER TIME AND MAY CAUSE THE FURNITURE TO BE WOBBLY AND UNABLE TO SUPPORT ITS INTENDED WEIGHT CAPACITY. THIS MAY LEAD TO COLLAPSE AND MAY CAUSE SERIOUS INJURY.**

# 54" ROUND COUNTER TABLE

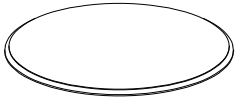


- Please keep instructions for future reference.
- Check the quantity and irregularity of parts and hardware before you start.



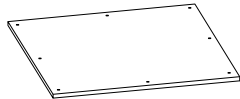
## PARTS

1



**TOP TABLE**  
1 pc.

2



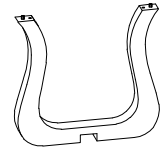
**MOUNTING PLATE**  
1 pc.

3



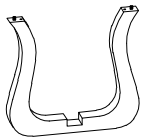
**BASE**  
1 pc.

4



**UPPER LEG**  
1 pc.

5



**LOWER LEG**  
1 pc.

## HARDWARE

A



**Bolt Ø5/16" x 2"**  
4 pcs.

B



**Bolt Ø5/16" x 1 1/2"**  
4 pcs.

C



**Bolt Ø5/16" x 1 1/4"**  
8 pcs.

D



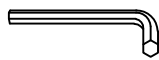
**Lock Washer Ø5/16"**  
16 pcs

E



**Flat Washer Ø5/16"**  
16 pcs

F



**Allen Wrench M4**  
1 pc

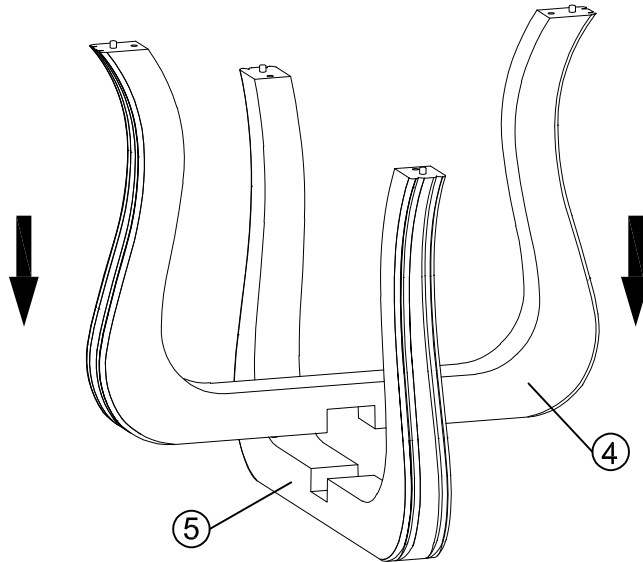
# ASSEMBLY INSTRUCTIONS

1

Part ④ x 1pc

Part ⑤ x 1pc

Place the two table legs on top of each other



2

Part ② x 1pc

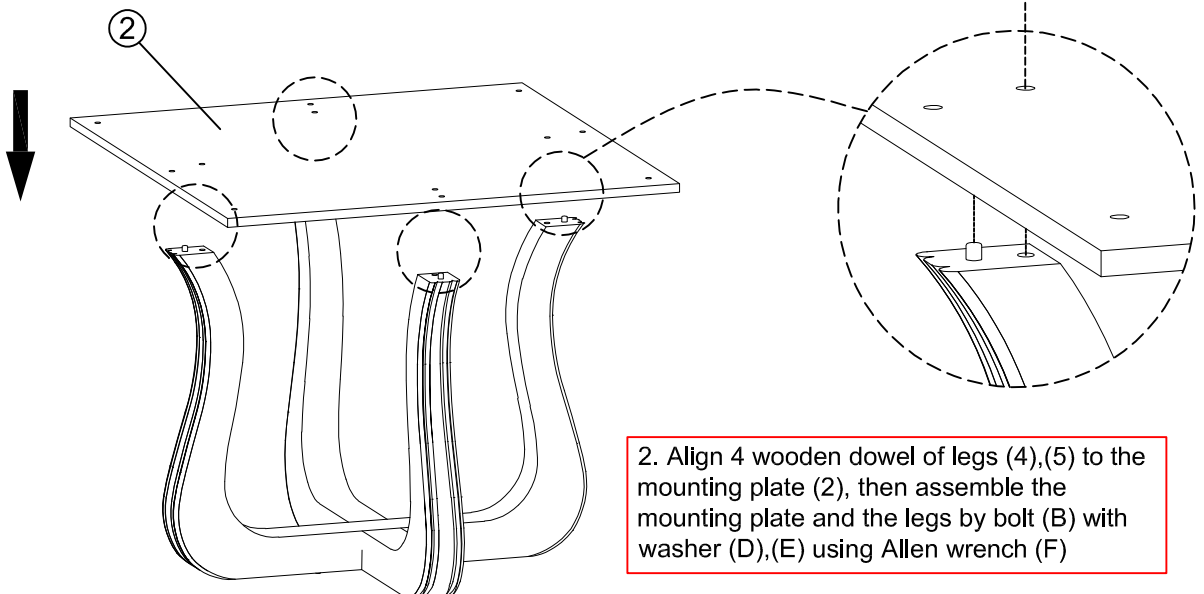
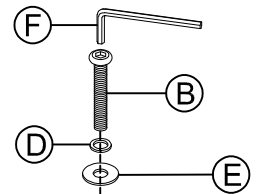
Hardware ③ x 4pcs

Hardware ④ x 4pcs

Hardware ⑤ x 4pcs

Hardware ⑥ x 1pc

1. Prepare 4 bolt assemblies by first inserting a lock washer (D) onto the bolt (B) then a flat washer (E) onto that same bolt (B) .

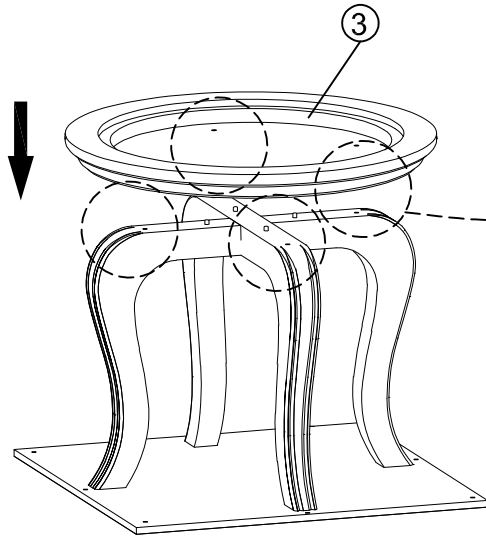


# ASSEMBLY INSTRUCTIONS

## 3

- Part ③ x 1pc
- Hardware ① x 4pcs
- Hardware ② x 4pcs
- Hardware ③ x 4pcs
- Hardware ④ x 1pc

1. Prepare 4 bolt assemblies by first inserting a lock washer (D) onto the bolt (A) then a flat washer (E) onto that same bolt (A) .

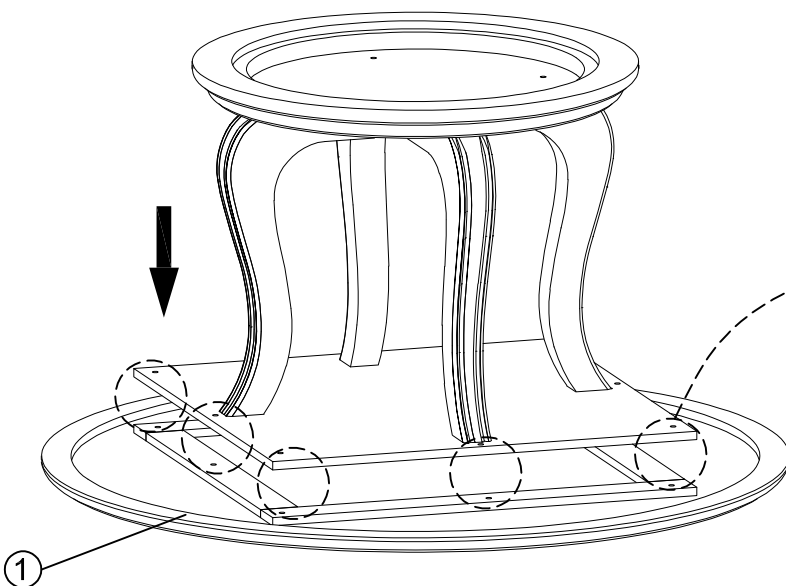


2. Align 4 wooden dowel of legs (4),(5) to the base (3), then assemble the base and the legs by bolt (A) with washer (D),(E) using Allen wrench (F)

## 4

- Part ① x 1pc
- Hardware ① x 8pcs
- Hardware ② x 8pcs
- Hardware ③ x 8pcs
- Hardware ④ x 1pc

1. Prepare 8 bolt assemblies by first inserting a lock washer (D) onto the bolt (C) then a flat washer (E) onto that same bolt (C) .  
2. Place the top table (1) face down onto a protected surface

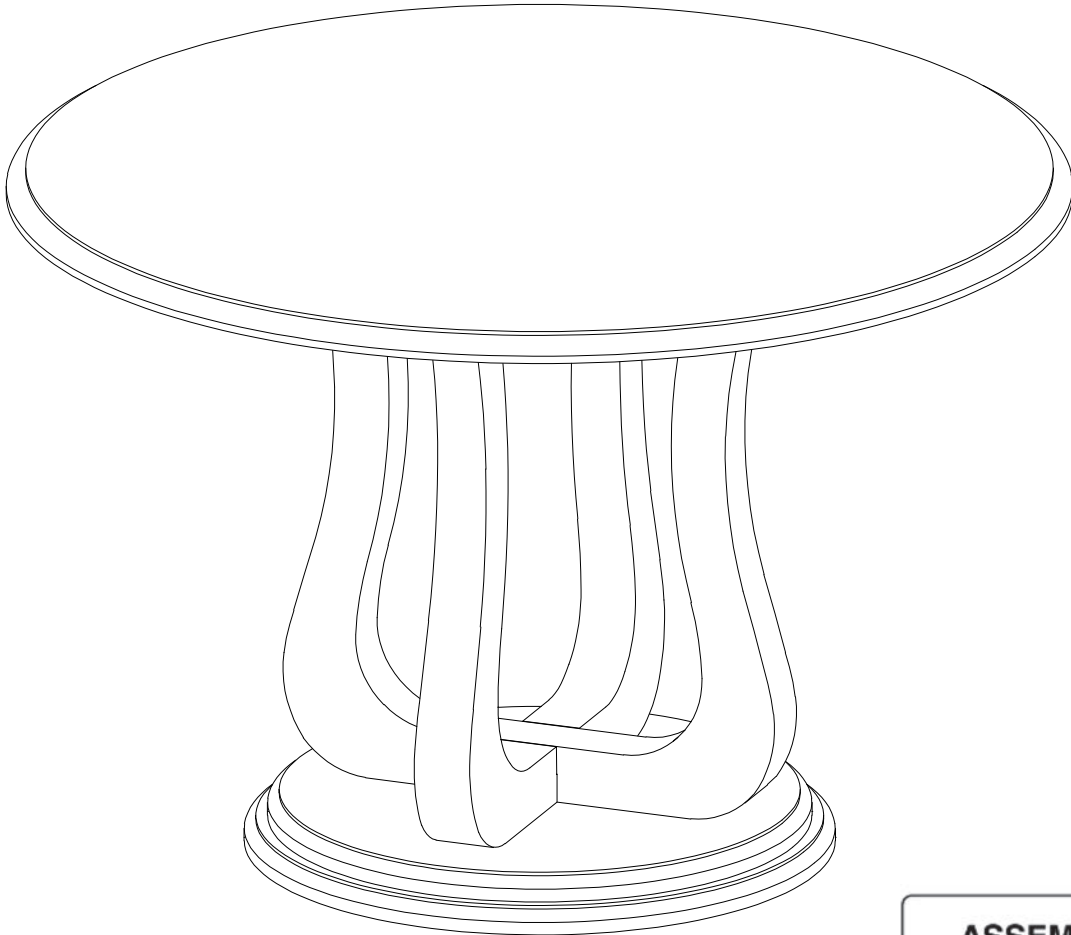


3. Align the mounting plate of legs with the top table (1), then assemble the mounting plate and the top table by bolt (C) with washer (D),(E) using Allen wrench (F)

# ASSEMBLY INSTRUCTIONS

5

Turn the end table upright and make sure all parts are firmly secured



## ASSEMBLY COMPLETED



Please ensure the furniture rests on an even and flat surface. If the product wobbles or feels loose, double-check all bolts and/or screws are properly tightened and secured.



### Keep this handy!

Please retain this instruction manual and any order-related information for future reference.



### Lift, don't drag!

To avoid damage to product please always LIFT the product when transporting or adjusting the placement.