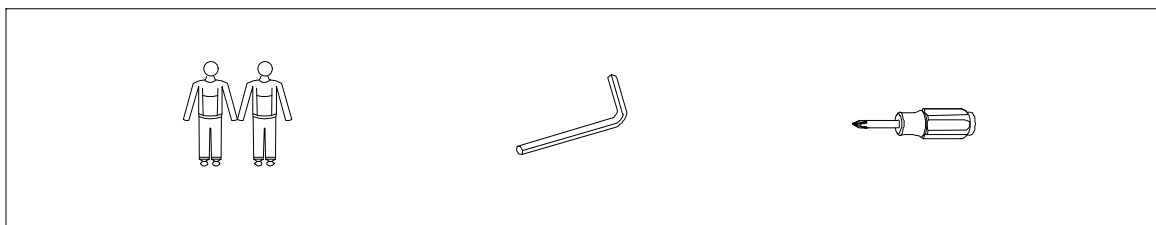
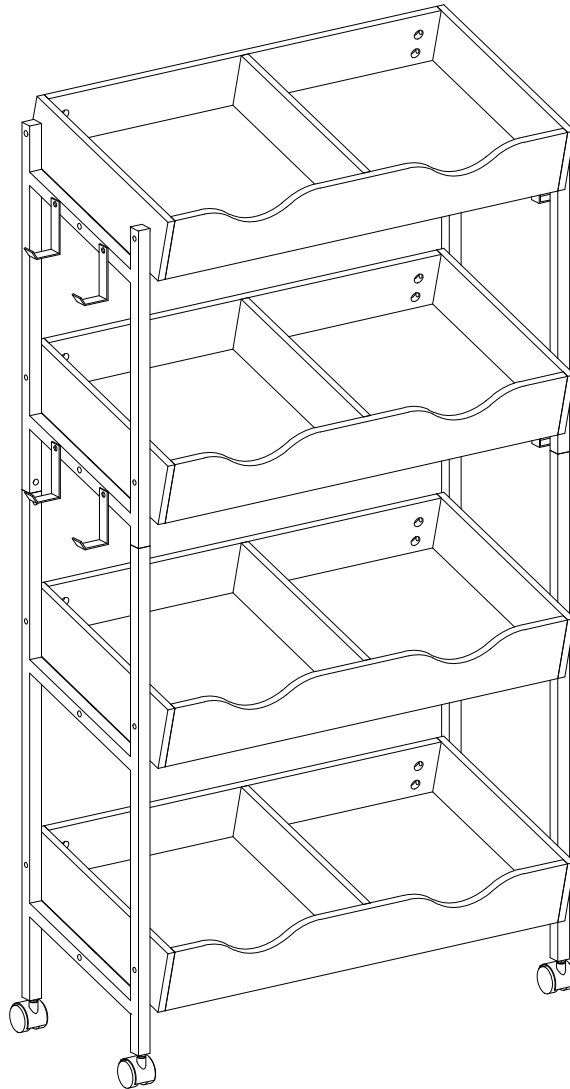


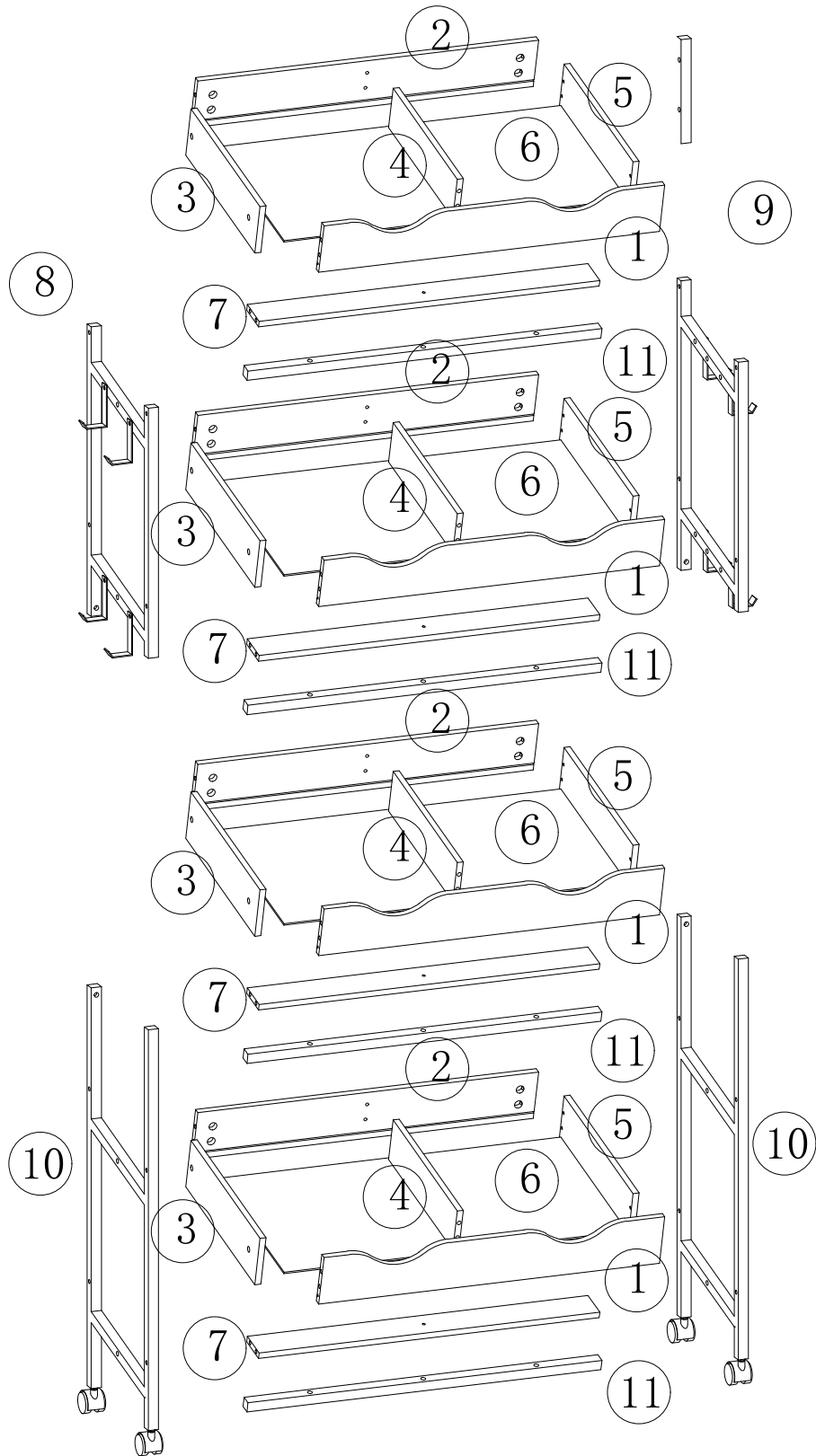
# Four-tier Shelf



**GAUTION:**When tightening the screws,tighten sequentially.  
Do not tighten any screws fully and then towards the next one.  
When every part is OK,then tighten all the screws.

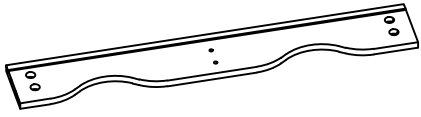
Version: 1.0

# ASSEMBLY INSTRUCTION



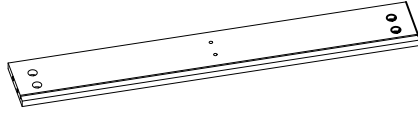
# ASSEMBLY INSTRUCTION

1



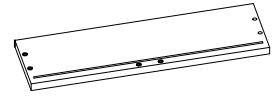
X4

2



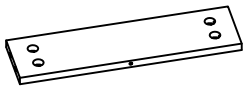
X4

3



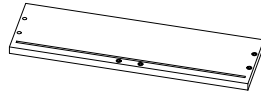
X4

4



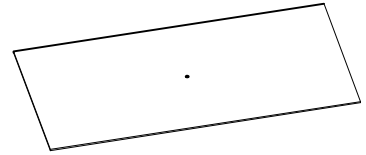
X4

5



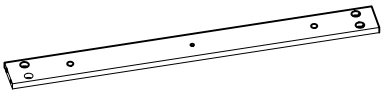
X4

6



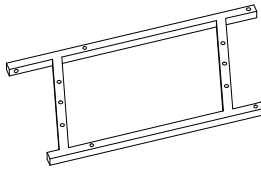
X4

7



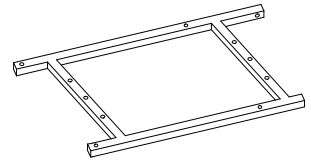
X4

8



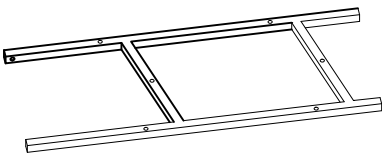
X1

9



X1

10




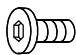
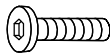
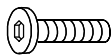
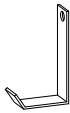
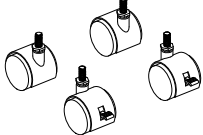
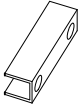


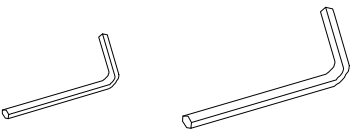


X2

11



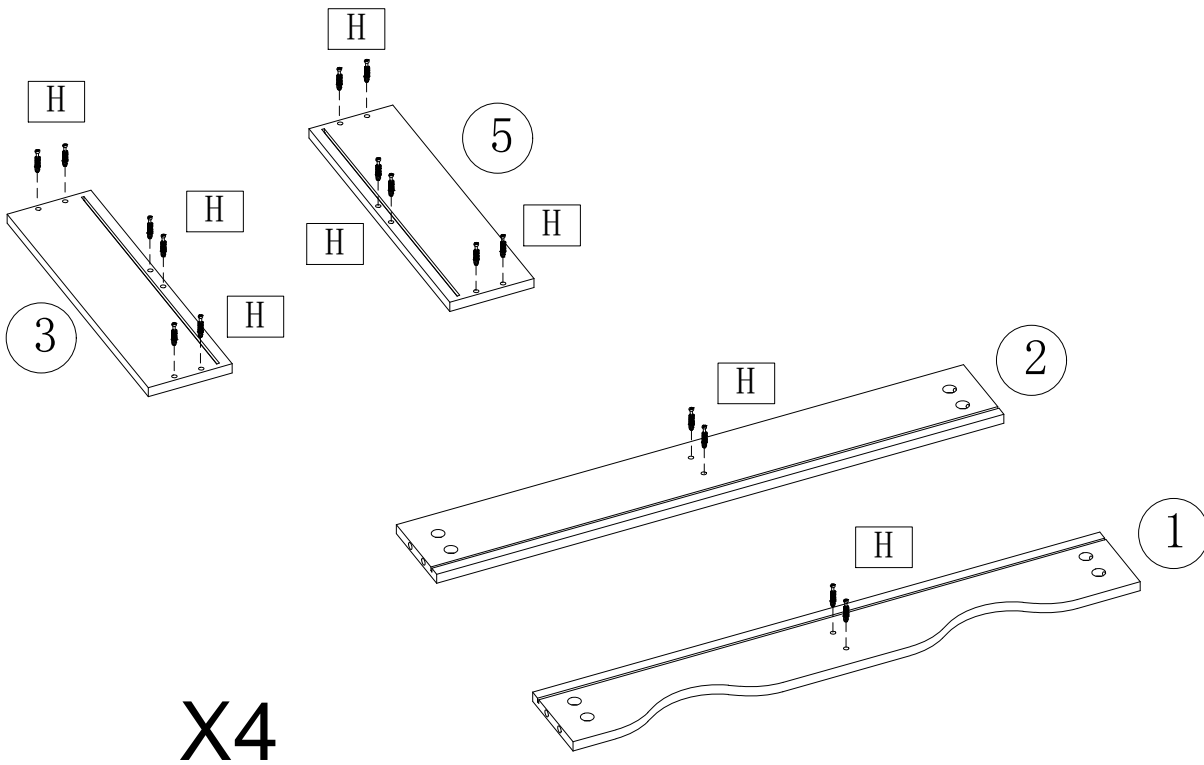
X4

# ASSEMBLY INSTRUCTION

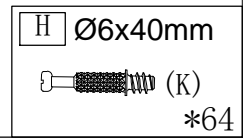
<p><b>A</b> M5x50mm</p>  <p>X4</p>	<p><b>B</b> M6x12mm</p>  <p>X16</p>	<p><b>C</b> M6x28mm</p>  <p>X24</p>	<p><b>D</b> M6x40mm</p>  <p>X8</p>
<p><b>E</b></p>  <p>X8</p>	<p><b>F</b></p>  <p>X1</p>	<p><b>G</b></p>  <p>X4</p>	<p><b>H</b> Ø6x40mm</p>  (K) <p>X64</p>
<p><b>I</b> Ø15x9mm</p>  <p>X64</p>	<p><b>J</b></p> <p>M4                      M6</p>    <p>X1</p>		

# ASSEMBLY INSTRUCTION

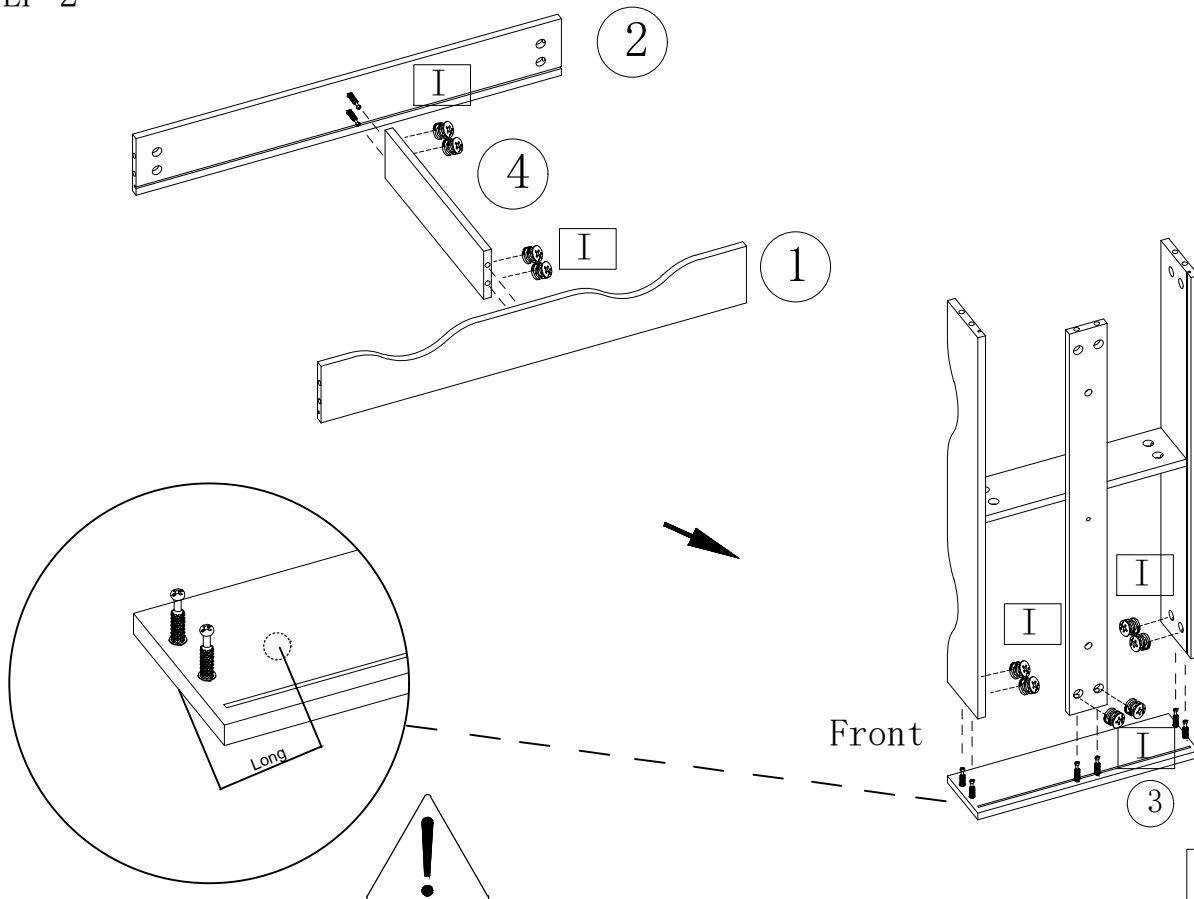
## STEP 1



X4

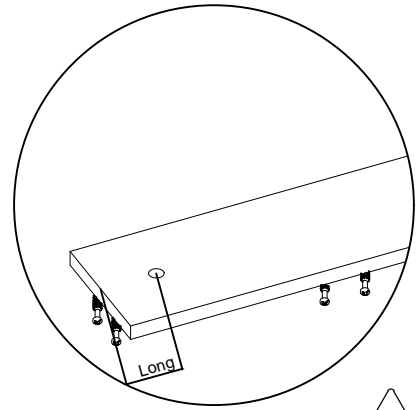
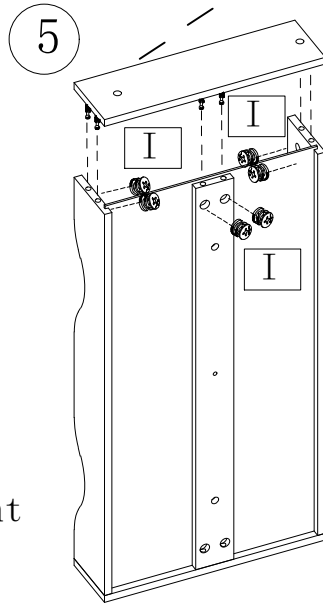
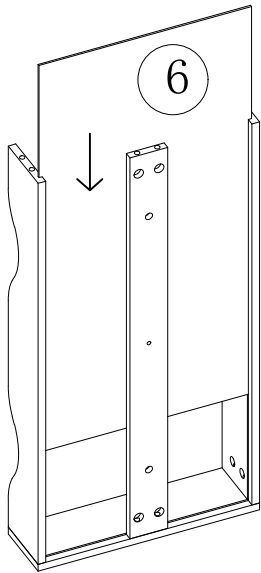


## STEP 2



# ASSEMBLY INSTRUCTION

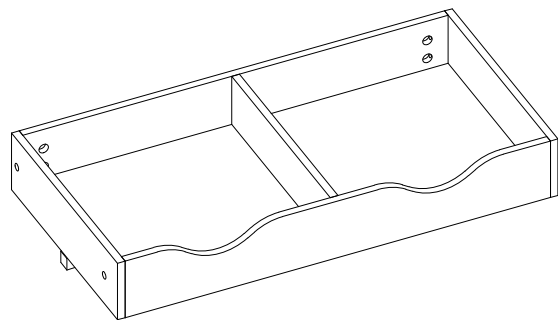
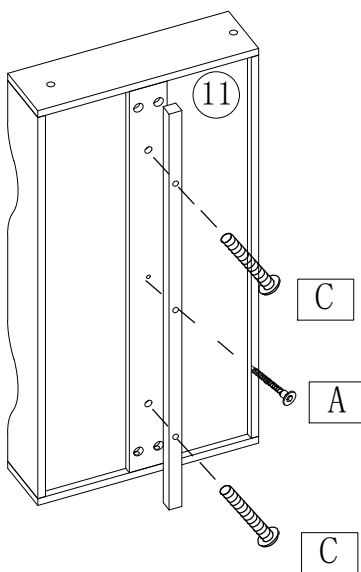
STEP 3



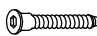

Front

I	M6x40mm
	*24

STEP 4

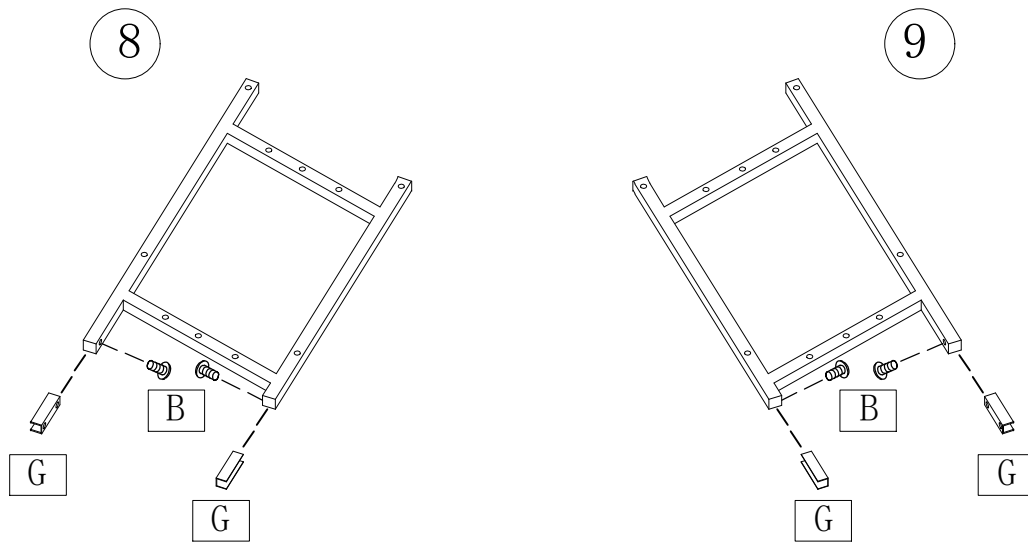


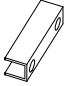
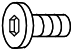
X4

A	M5x50mm
	*4
C	M6x28mm
	*8

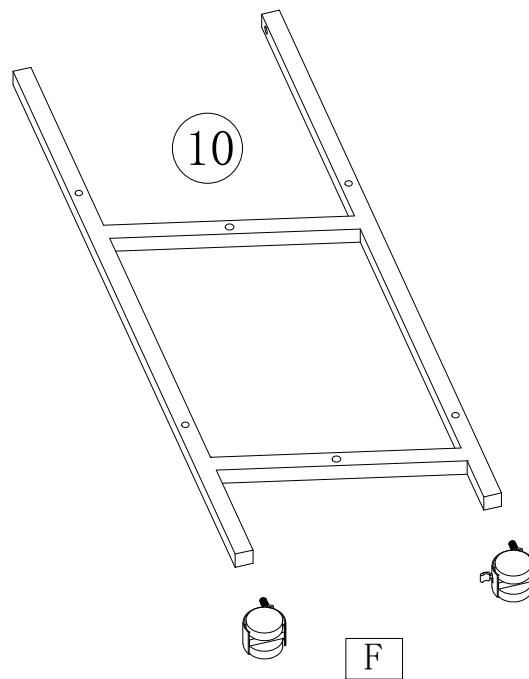
# ASSEMBLY INSTRUCTION


STEP 5



G		*4
B	M6x12mm 	*4

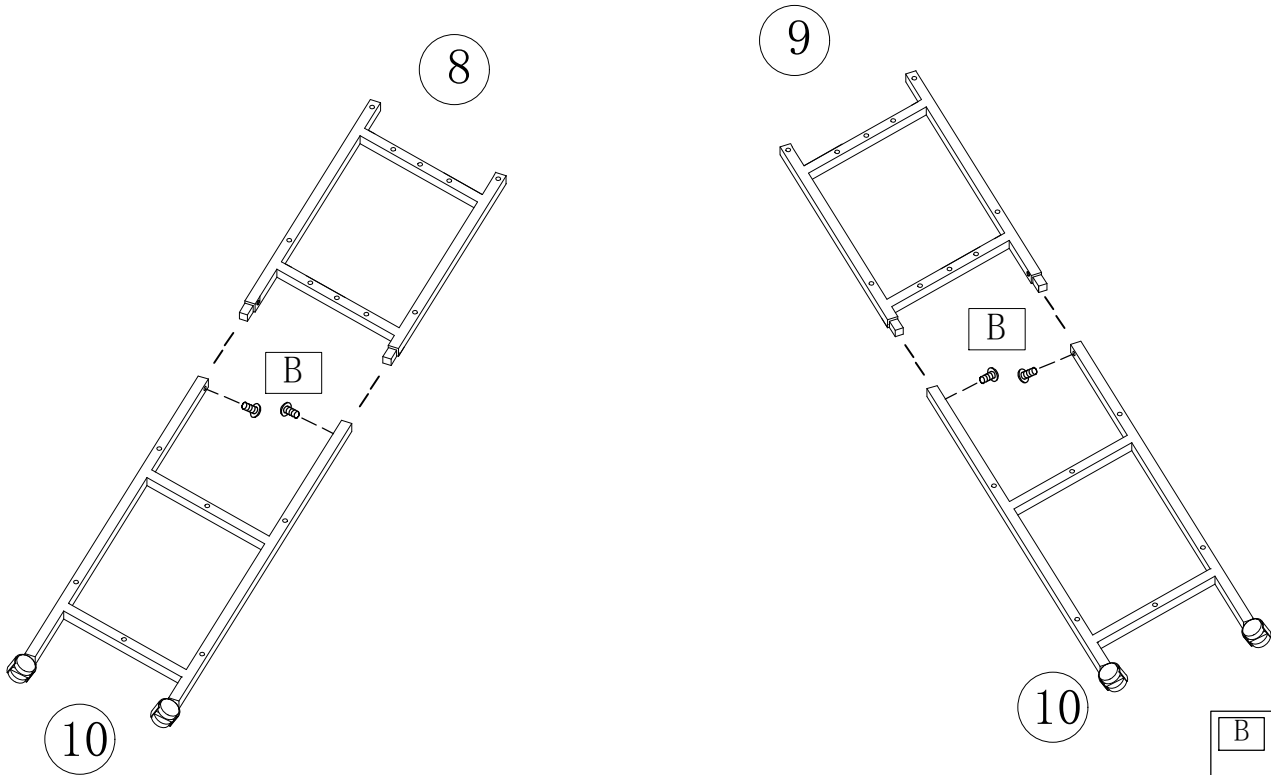
STEP 6



F		*1
---	---	----

# ASSEMBLY INSTRUCTION

## STEP 7

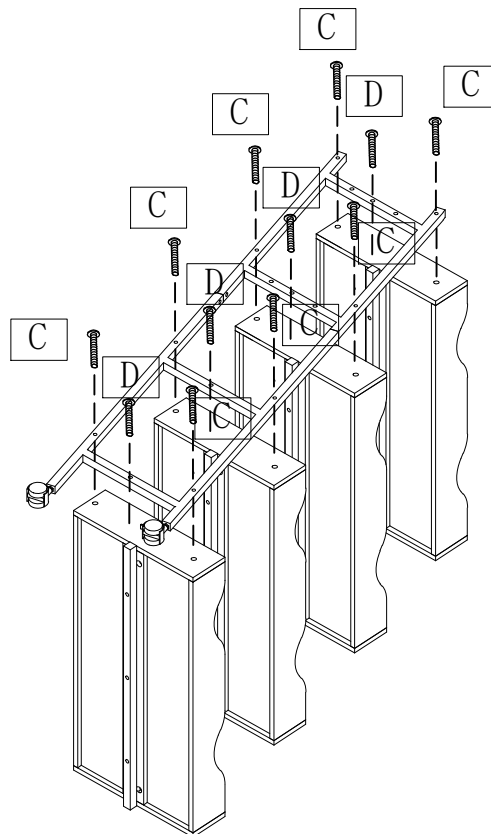


B M6x12mm



\*4

## STEP 8

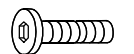


C M6x28mm



\*8

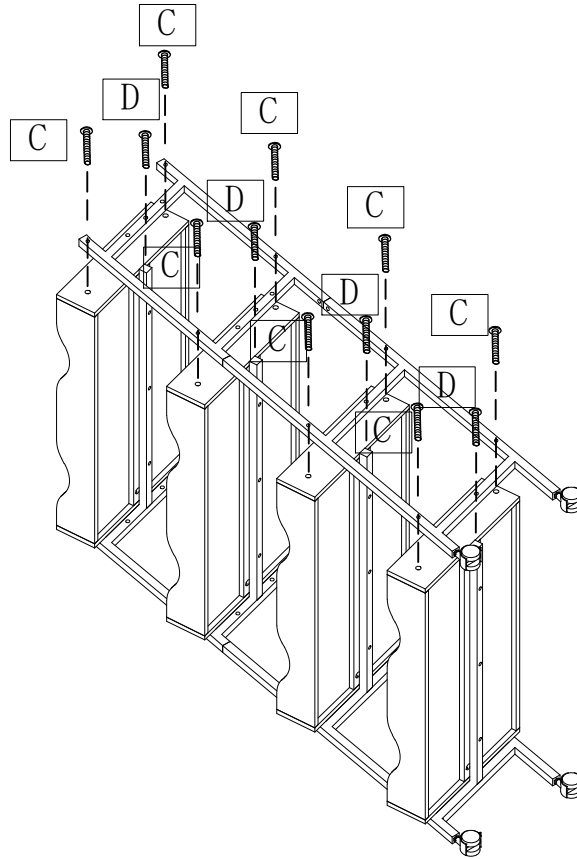
D M6x40mm

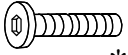
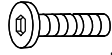


\*4

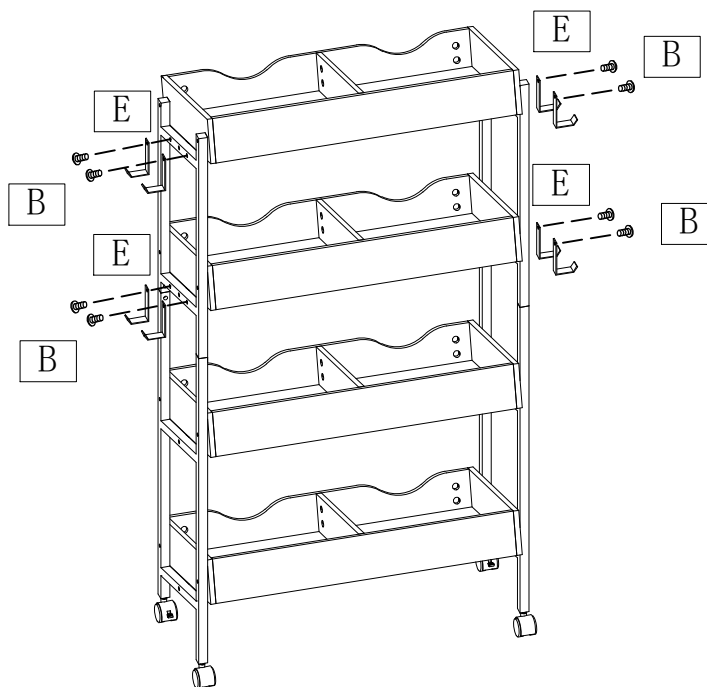
# ASSEMBLY INSTRUCTION


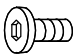
STEP 9



C	M6x28mm
	*8
D	M6x40mm
	*4

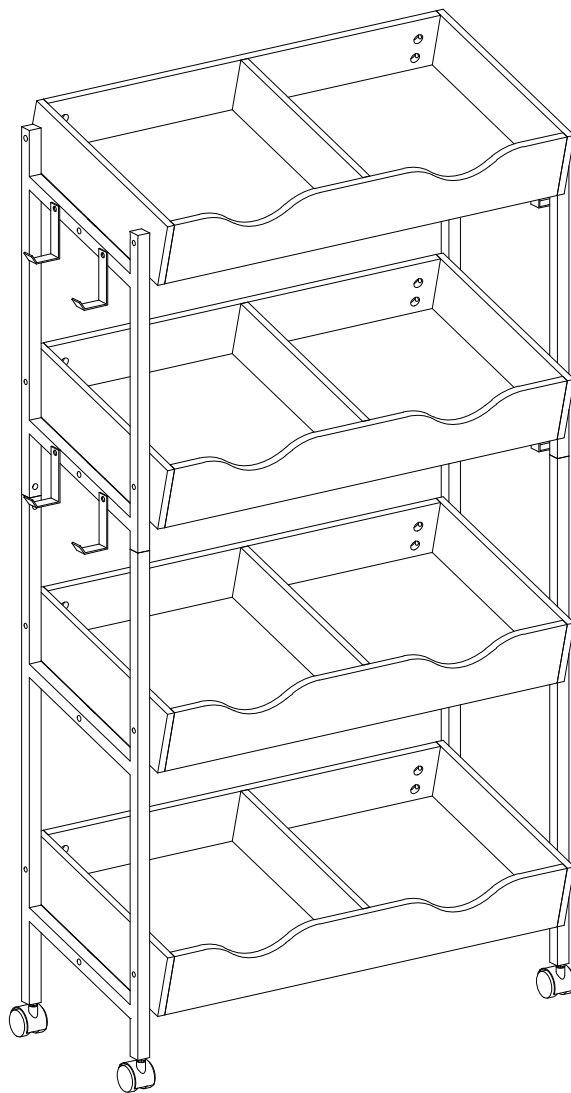
STEP 10



E		*8
B	M6x12mm	
	*8	

# ASSEMBLY INSTRUCTION

STEP 11



Over