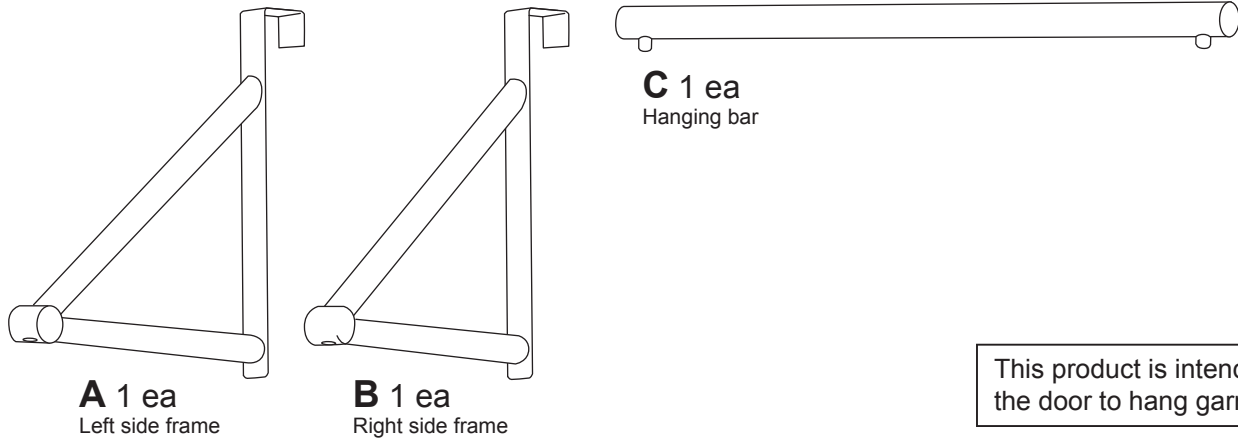


# 6705-3836 Over The Door Closet Rod ©2015 Whitmor, Inc.

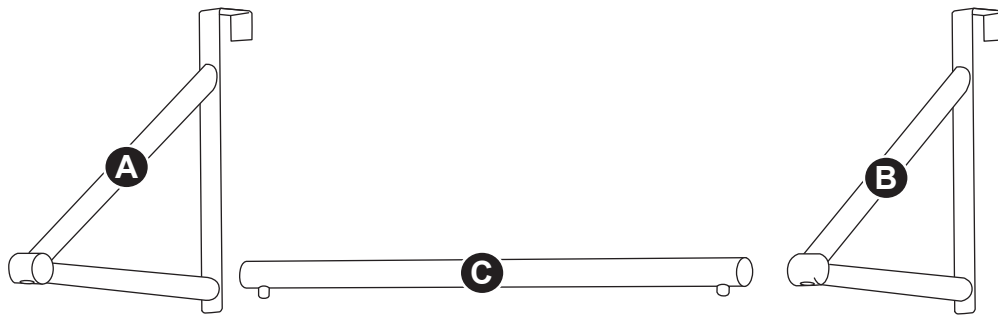


**Assembly Time:**  
Less than 5 minutes.

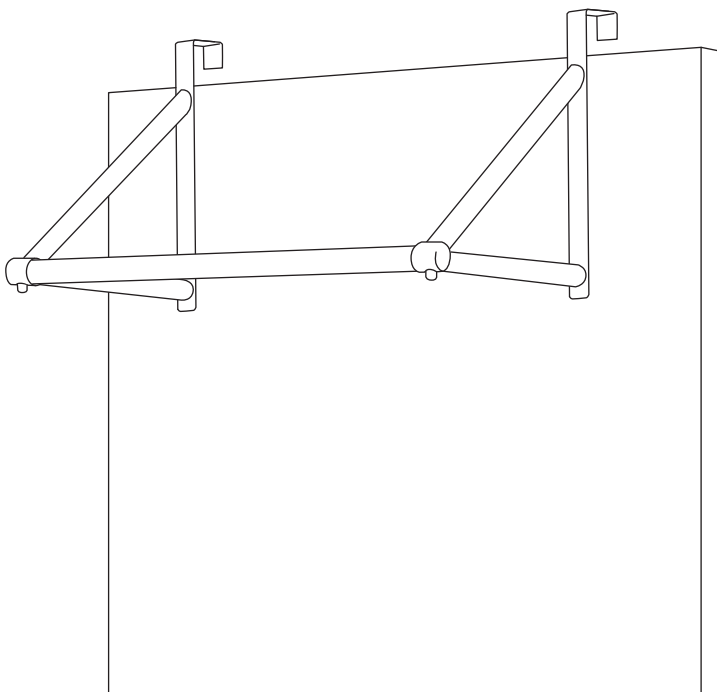
This product is intended to hang over the door to hang garments or linens.

**Tools Needed:** No tools required.

**STEP 1** Insert the hanging bar (C) into the left side frame (A) and the right side frame (B). Make sure the tabs snap into the holes in the side frames.



**STEP 2** Place assembled closet rod over the door.



Part	Reference
A	F8107
B	F8108
C	F8109

MADE IN CHINA



8680 Swinnea Road • Suite 103 • Southaven, MS • 38671

**NEED HELP?** For help with assembly, or if you are missing a part, please call Whitmor's Customer Service Department, 1-888-944-8667 between 8 a.m. and 4:30 p.m. (Central Standard Time) Monday through Friday. Or email: [help@whitmor.com](mailto:help@whitmor.com). Visit us online at [www.whitmor.com](http://www.whitmor.com)