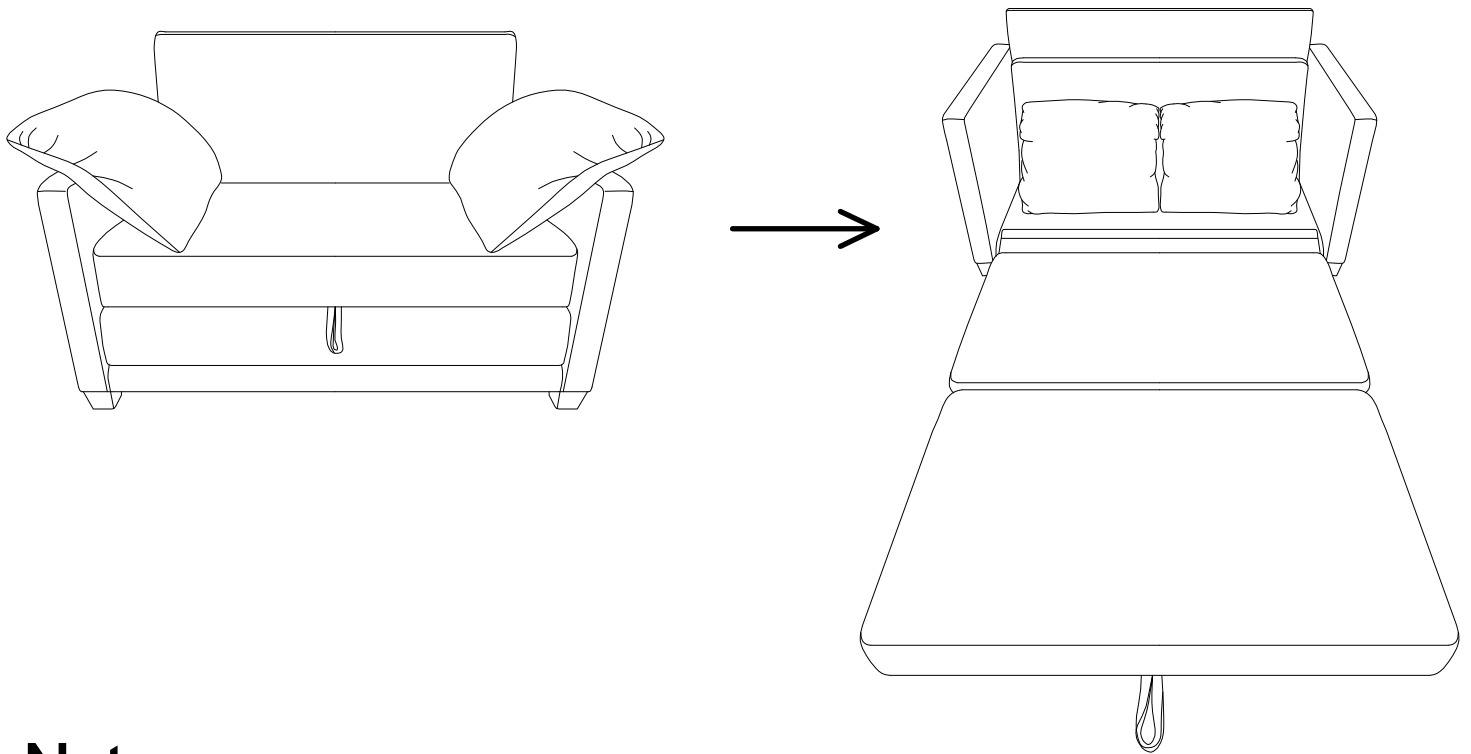


SOFA BED

ASSEMBLY INSTRUCTIONS



Note:

1. Please confirm that all parts are correct before assembly.
2. For any problems with the received package please contact us at the first time, we will provide you with one year free warranty service, customer satisfaction and product quality are our top priority.

FAQ

Q1:Missing parts or some parts damaged when received.

A1:If you find some parts are missing or damaged from the box,please kindly send us messages to let us know the name of missing part regarding of the parts list of the instuction, and we will send you the replacement part as soon as possible and provide the best solution.

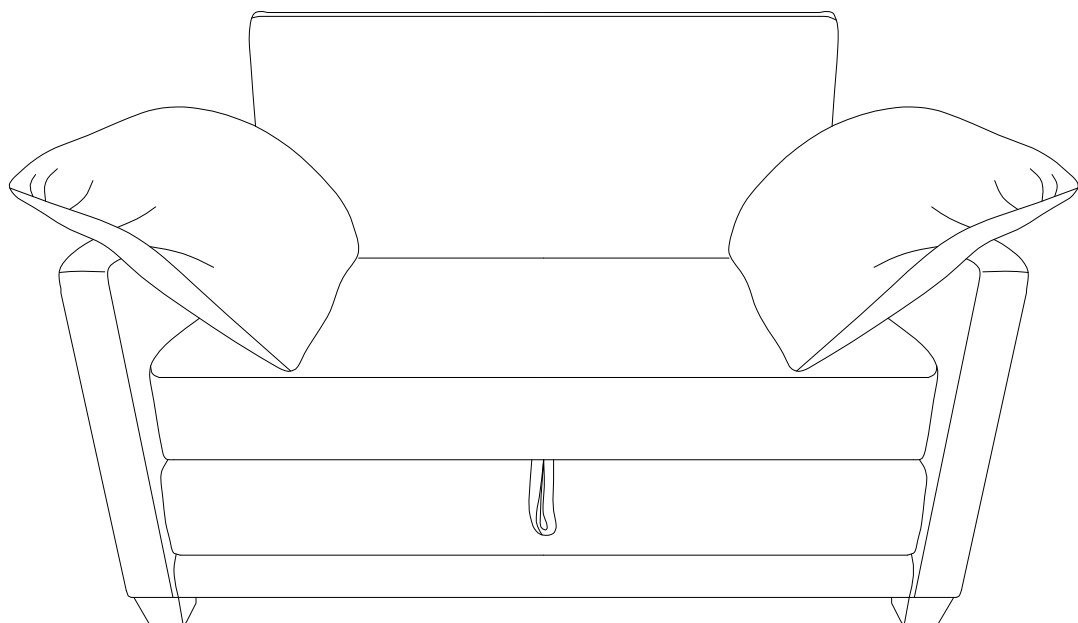
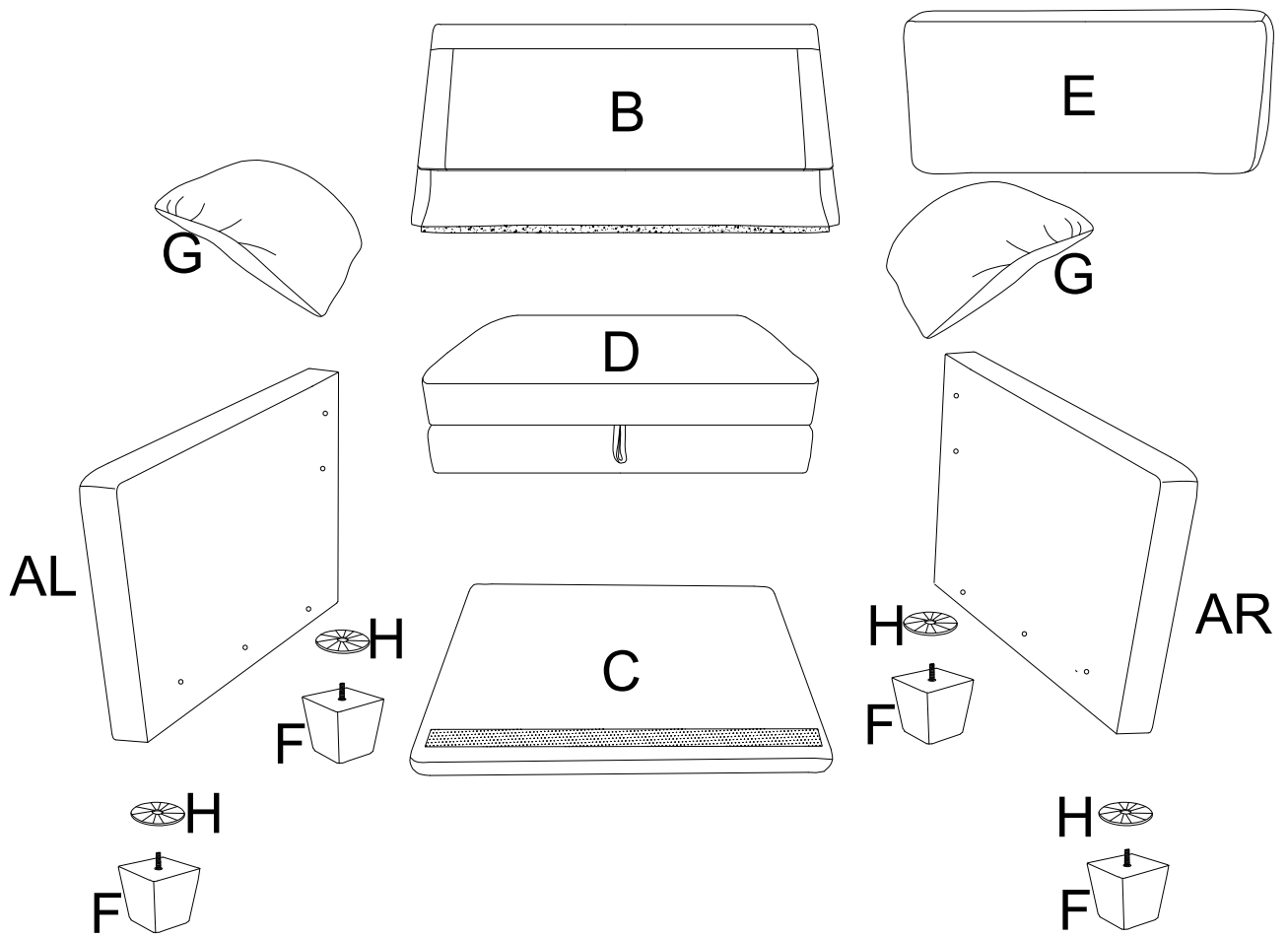
Q2: Difficulty in assembly

A2:If there are any problems during the installation process, you can take photos and send them to us, and we will reply promptly. We also have installation videos on our page that you can watch online.

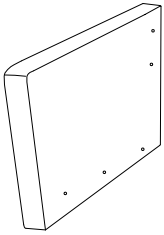
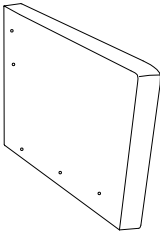
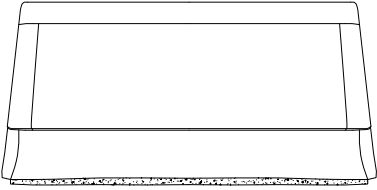
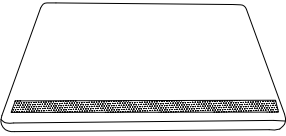
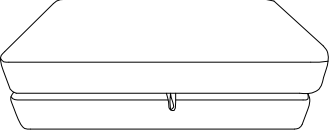
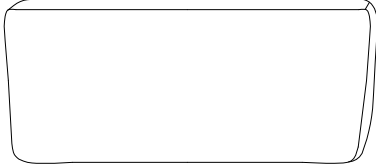
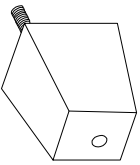
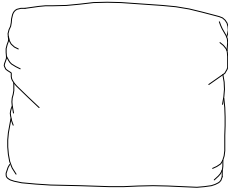
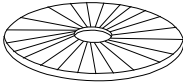
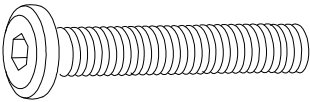
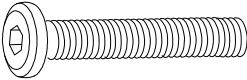

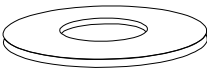

Q3:Return Policy.

A3:Please contact us before returning the product. Please ensure that the packaging box is intact, the product is not damaged or stained, and does not affect secondary sales.Return product that do not use the original packaging may be rejected, and the pictures may be requested to offer.

DISASSEMBLY DIAGRAM



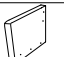
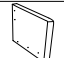




PARTS LIST

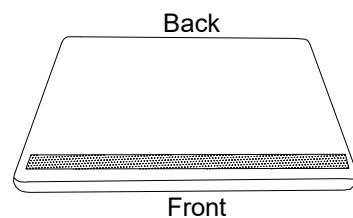
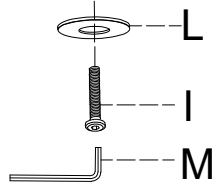
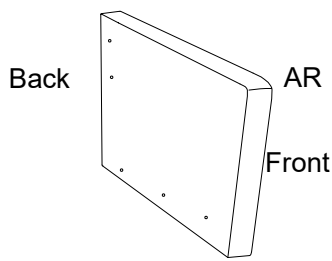
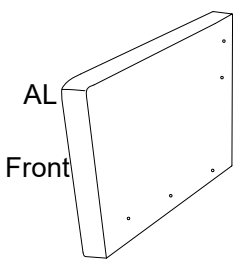
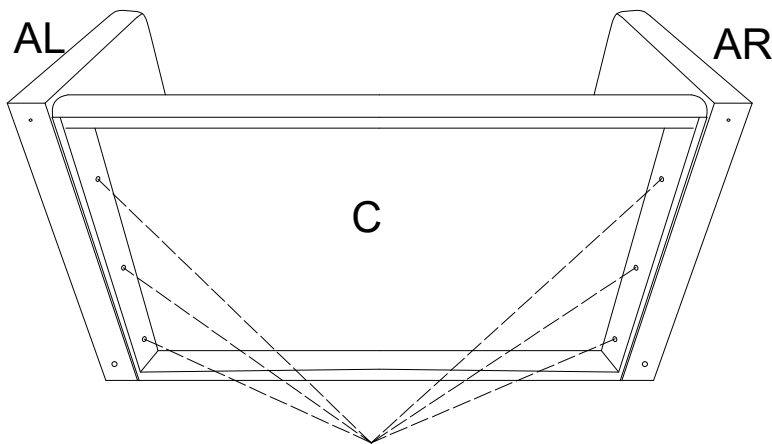
<p>AL</p> 	<p>AR</p> 	<p>B</p> 
<p>Armrest 1 pc</p>	<p>Armrest 1 pc</p>	<p>Back frame 1 pc</p>
<p>C</p> 	<p>D</p> 	<p>E</p> 
<p>Seat frame 1 pc</p>	<p>Seat cushion 1 pc</p>	<p>Backrest 1 pc</p>
<p>F</p> 	<p>G</p> <p style="color: red;">These two pillows are packed together</p> 	<p>H</p> 
<p>Wood foot 4 pcs</p>	<p>Armrest pillow 2 pcs</p>	<p>Plastic gasket 4 pcs</p>
<p>I</p> 	<p>J</p> 	<p>K</p> 
<p>Screw M8x60mm 6 pcs</p>	<p>Screw M6x60mm 4 pcs</p>	<p>Gasket M6 4 pcs</p>
<p>L</p> 	<p>M</p> 	
<p>Gasket M8 6 pcs</p>	<p>Allen Key 1 pc</p>	

Assembly Steps

STEP 1



Stand up the frame, align the left and right armrests, and connect them with screws.

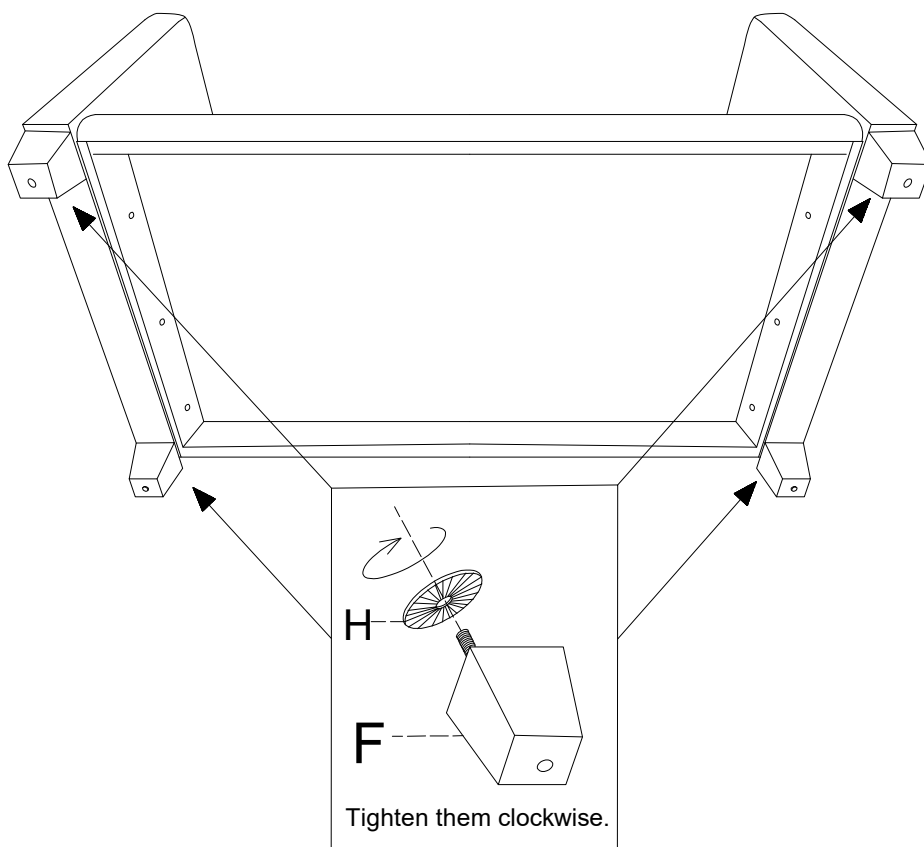
AL		1
AR		1
C		1
I		6
L		6
M		1



STEP 2

The wood feet are aligned with the holes at the bottom of the seat frame and tighten them clockwise.

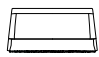



F		4
H		4

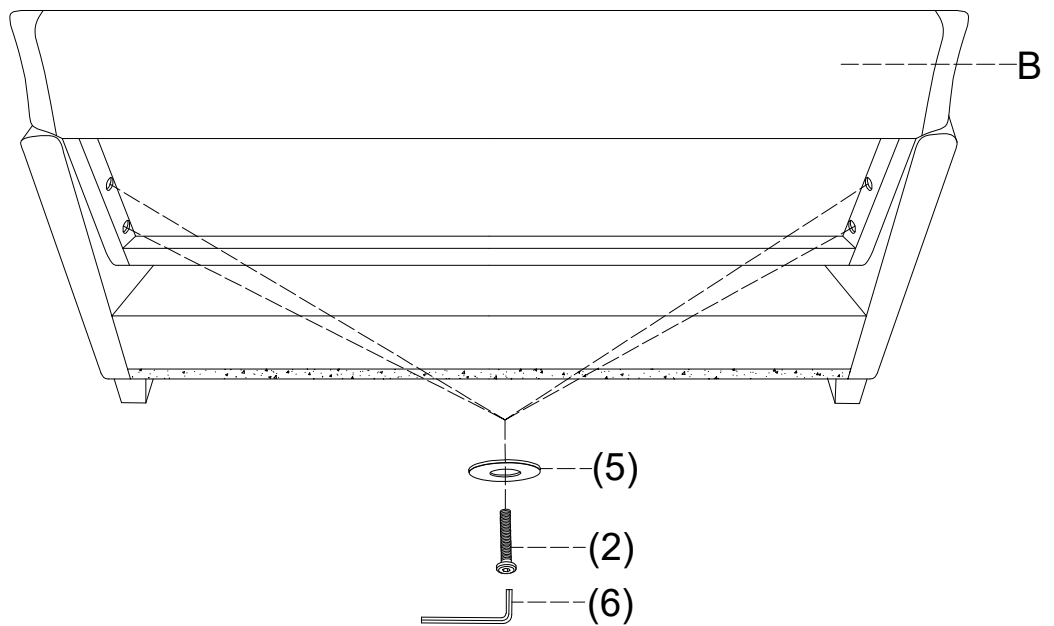


Assembly Steps

STEP 3

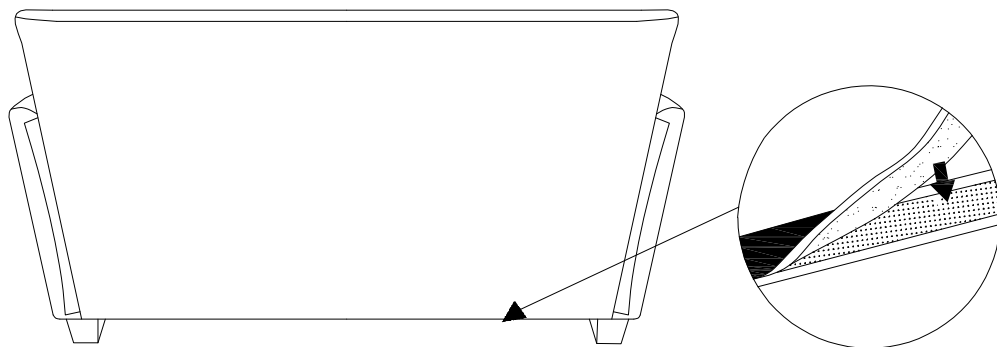
Place the seat frame flat on the ground, align the back frame with the position, and secure it with screws.

B		1
J		4
K		4
M		1

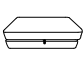
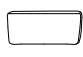



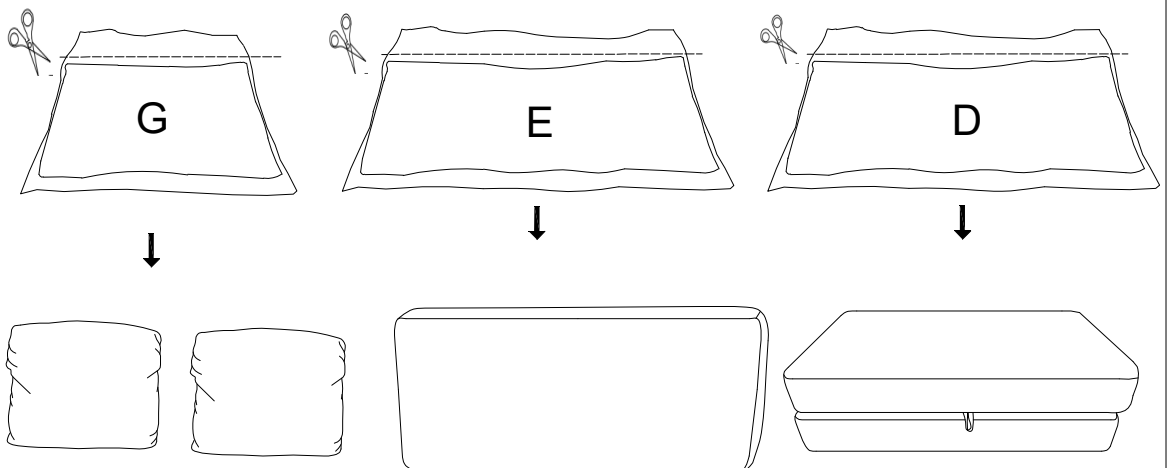
STEP 4

The bottom of the back frame is secured by Velcro.




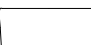

STEP 5 If you are satisfied with the frame structure of the sofa, please continue to open the compression package. Please note that opening the compression package will affect the secondary sales, so you cannot return it.

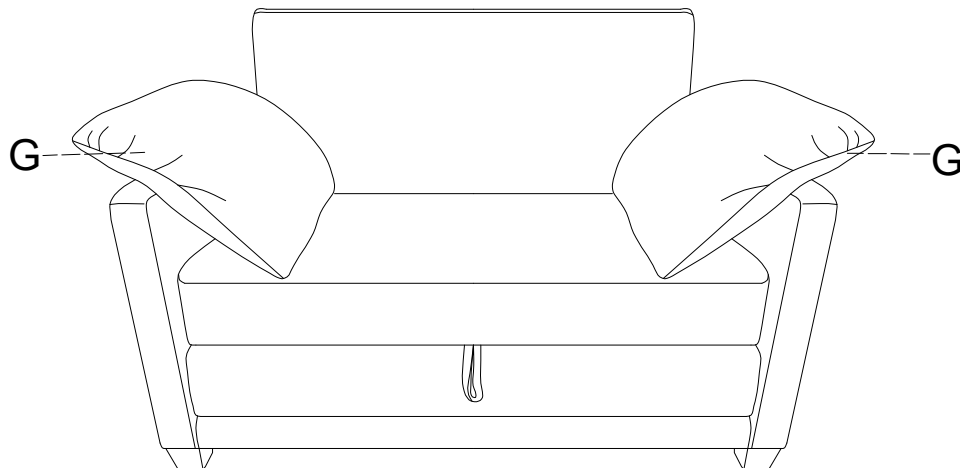
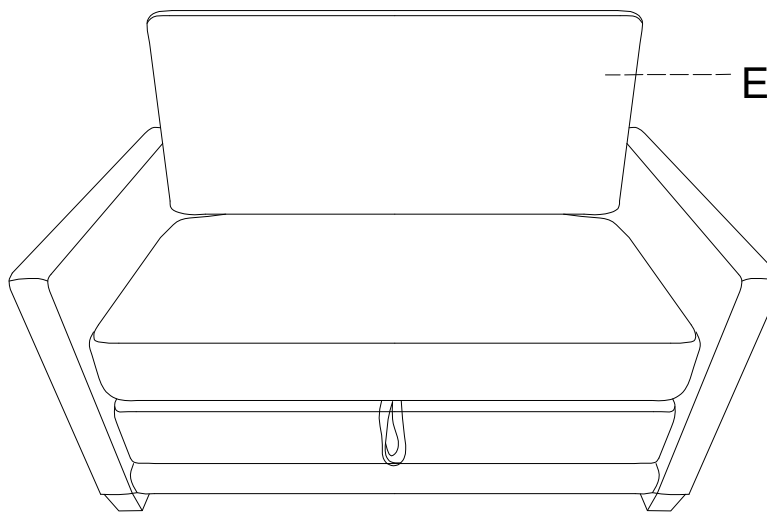
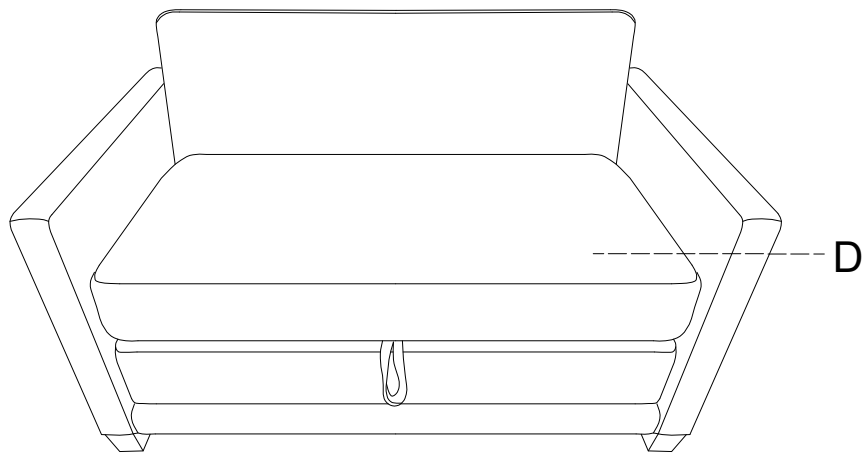
D		1
E		1
G		2



Assembly Steps

STEP 6 Put the cushion on the sofa frame, tidy it up, and wait 72 hours for the cushion to slowly rebound.

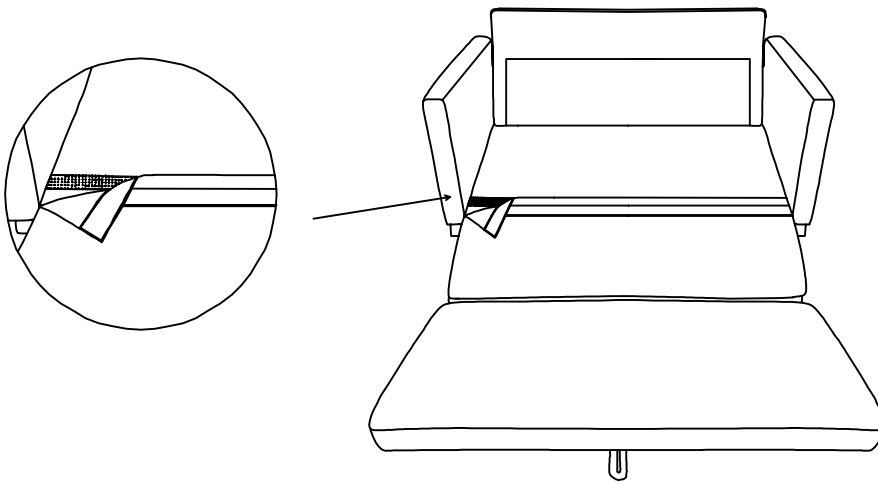
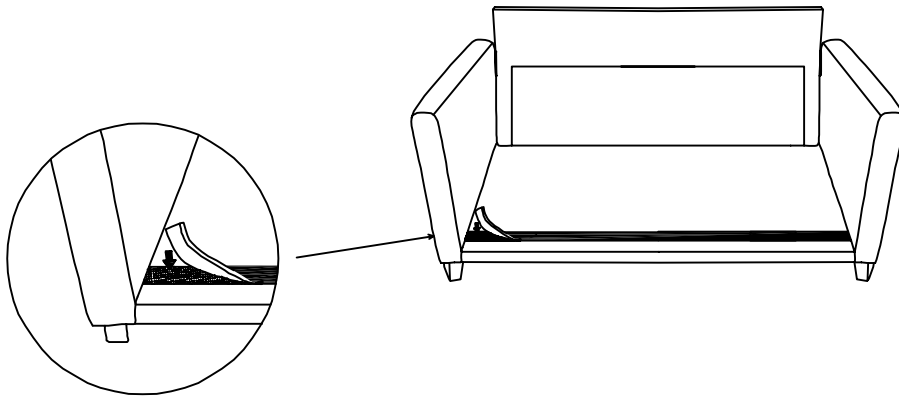
D		1
E		1
G		2



Assembly Steps

STEP 7

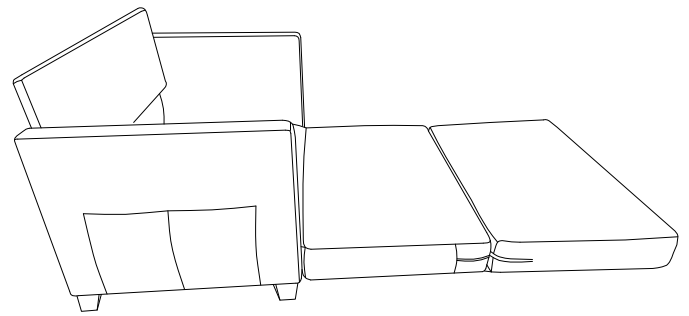
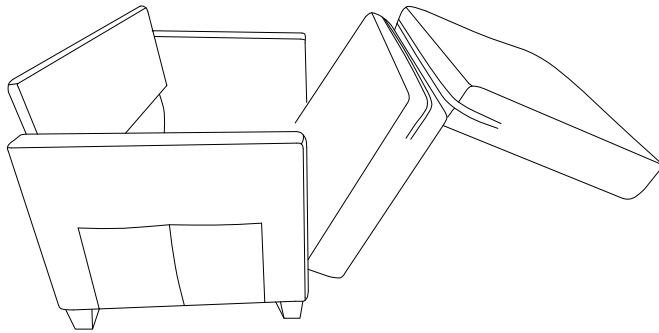
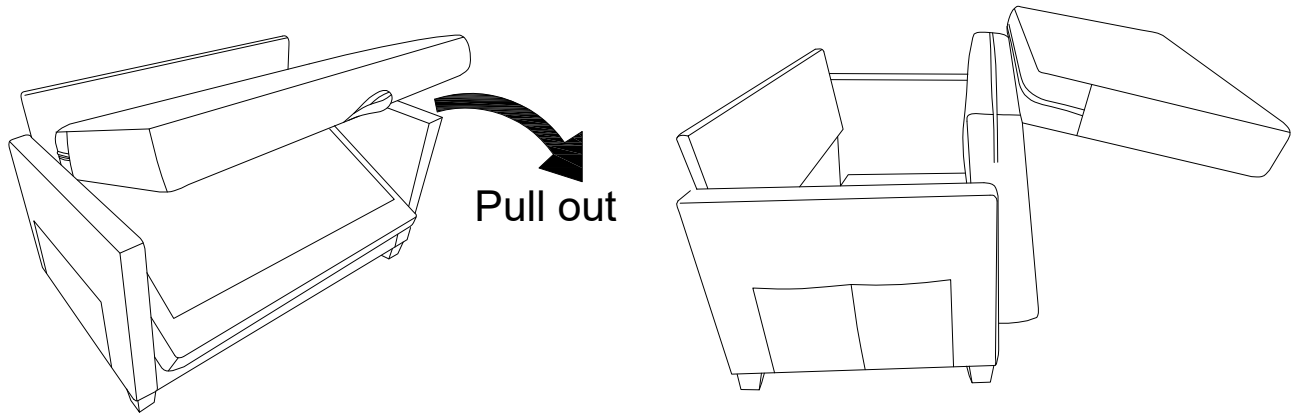
Please note: Peel off the protective black strip from the Velcro.



With the seat cushion unfolded, stick the velcro in place.

Assembly Steps

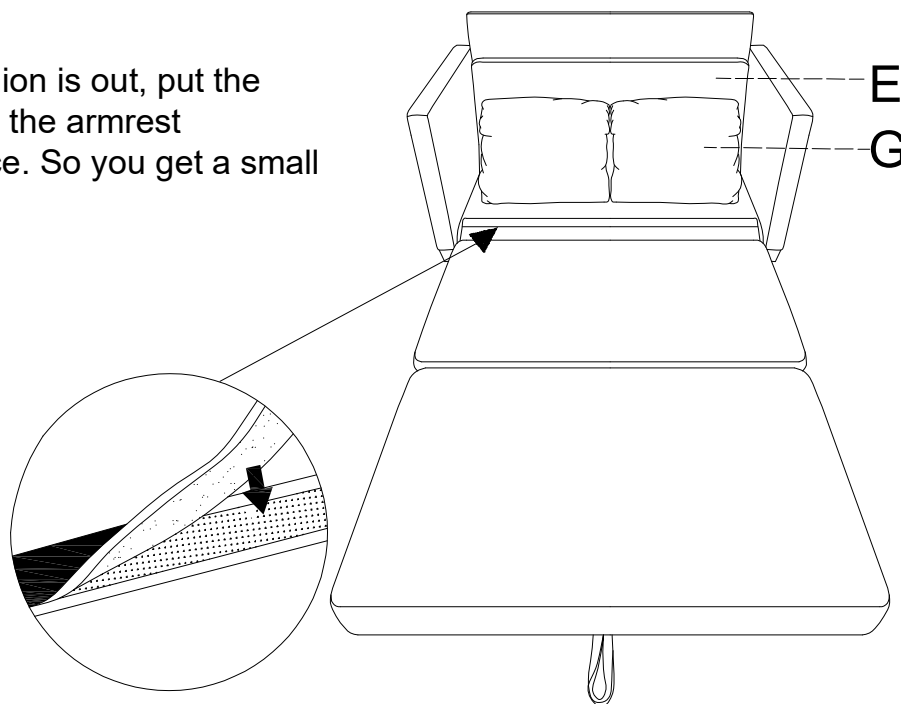
STEP 8 If you want to open the sofa bed, first put the cushion E and armrest pillow G aside, pull out the pull strap in front of the cushion, pull out the cushion and make it flat, and then stick the Velcro on the seat frame.



Pleas note:

Peel off the protective black strip from the Velcro

When the cushion is out, put the backrest E and the armrest pillow G in place. So you get a small sofa bed.





WARRANTY

1-year Warranty Program

For a period of one (1) years after date of purchase, the Manufacturer will either repair or replace defective components in accordance with this Limited Warranty, This warranty is between the Manufacturer and the original purchaser and is valid only when accompanied by the original purchaser's sales receipt showing original date of purchase

The manufacturer or its authorized dealer can accept or reject warranty claims based on its findings. This warranty applies in normal residential use only and is not intended for commercial use. The Manufacturer can make substitutions as required of materials, components, and sub-components of comparable value and utility. This warranty is limited to product repair or replacement (to be determined solely by the Manufacturer). Warranty return is limited to only the single affected component.

This limited warranty covers only manufacturing defects and does not cover normal wear and tear, damage due to acts of nature (such as, but not limited to freezing or high winds), abuse or misuse, including chemical damage from suntan oil or other chemicals, exposure to extreme heat or cold, abrasion or excessive weight. This product is intended to be used in standard installations only, This warranty is voidif the product is not used for its intended purpose, The Manufacturer disclaims liability for any aspect of installation and any inconvenience caused by a defective part of a component

Certain items are not covered by this warranty. These include, but are not limited to the following:

1. Components subjected to abuse, including abuse intended to simulate failure
2. Damages caused by retailer, shipper or installation error (such as scratches, dents, tears, chips, etc.
3. Any part that only shows normal wear and tear on the surface, including debris, scratches, or m aterial stretching and stitching.
4. Tears, punctures, scratches or any damage caused by improper installation or use.

General care & maintenance

Only clean using a damp cloth and mild detergent,do no use bleach or abrasive cleaners.

*** If you need after-sales service, please provide the original purchase record and a brief description of the problem. Please also provide your email address or mobile number**