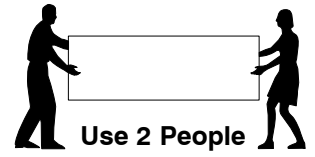
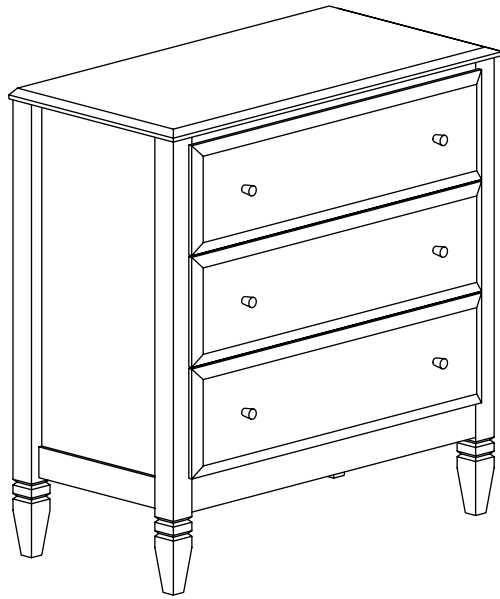


Drawer Chest

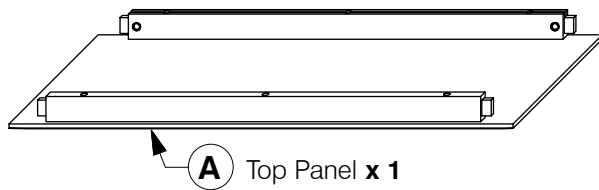
Assembly Instructions



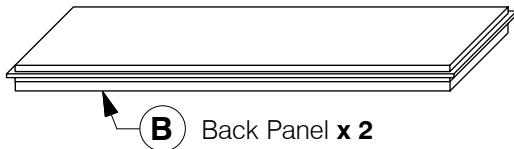
Note: Do not assemble using power tools. This can cause the bolts to be overtightened

1 Parts List

Parts in Box A:



A Top Panel x 1



B Back Panel x 2



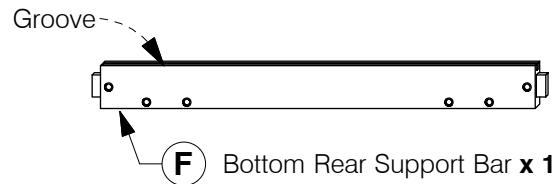
C Rear Support Bar x 1



D Wood Block x 4



E Bottom Front Support Bar x 1



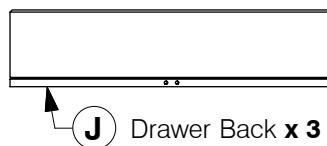
F Bottom Rear Support Bar x 1



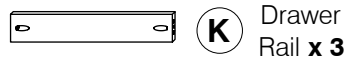
G Bottom Panel x 1



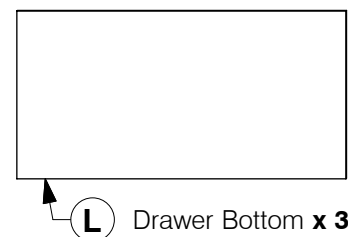
H Drawer Face x 3



J Drawer Back x 3



K Drawer Rail x 3



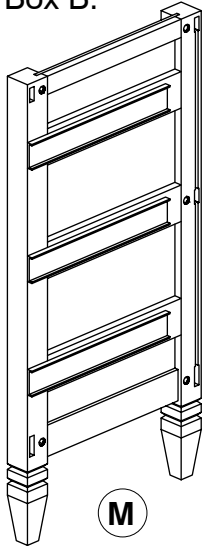
L Drawer Bottom x 3

Drawer Chest

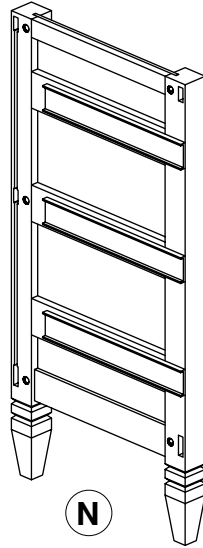
Assembly Instructions

1 Parts List

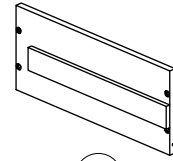
Parts in Box B:



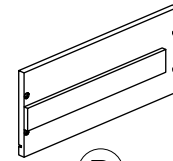
M
Leg Frame
(Left Hand) x 1



N
Leg Frame
(Right Hand) x 1

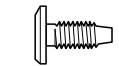


O
Drawer Side
(Left Hand) x 3



P
Drawer Side
(Right Hand) x 3

2 Hardware List



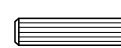
1 M6 x
15mm JCB
x 20



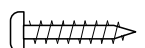
2 M6 x
40mm JCB
x 4



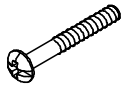
3 M6 x
60mm JCB
x 8



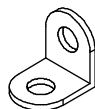
4 M6 x 25mm
Wood Dowel
x 12



5 M4 x 25mm
Wood Screw
x 30



6 M4 x 22mm
Wood Screw
x 6



7 'L' Bracket
(5005-3) x 10



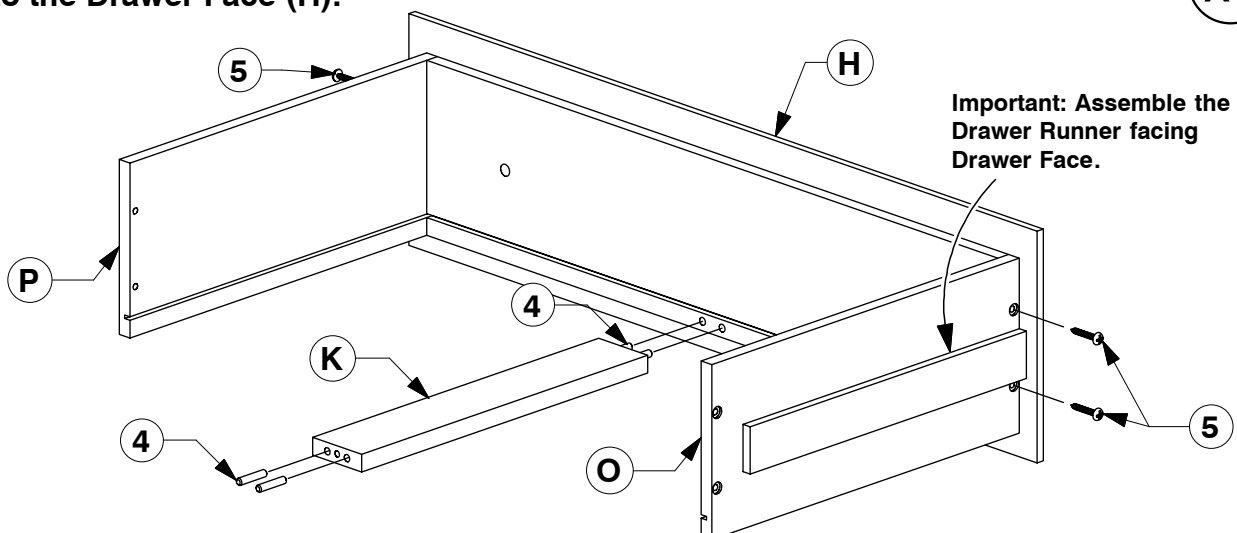
8 Handle
(1005) x 6



9 Allen Key
x 1

3 Assemble the Drawer Sides (O & P) & Drawer Rail (K) to the Drawer Face (H).

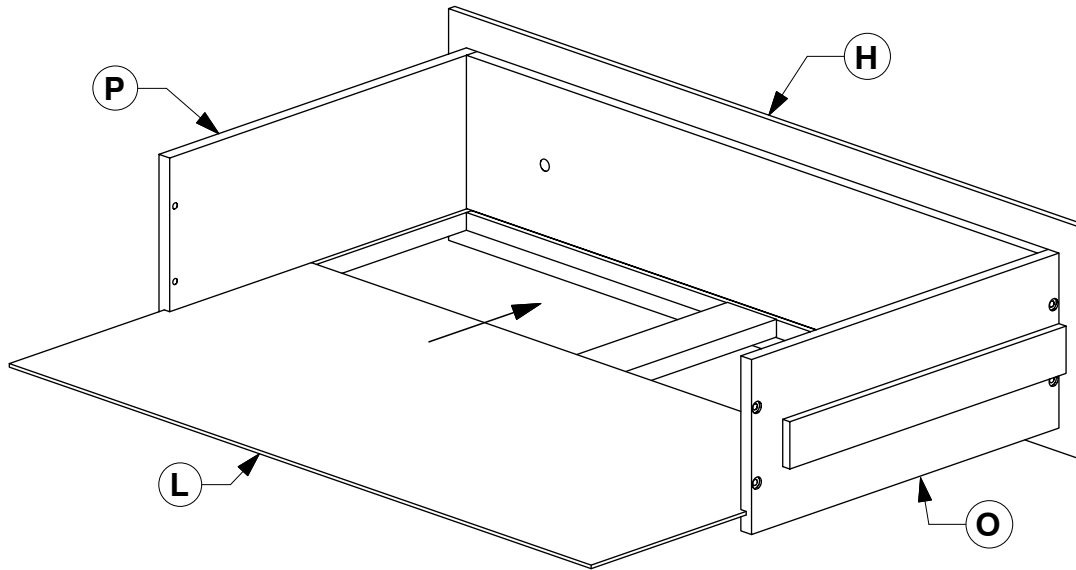
x3



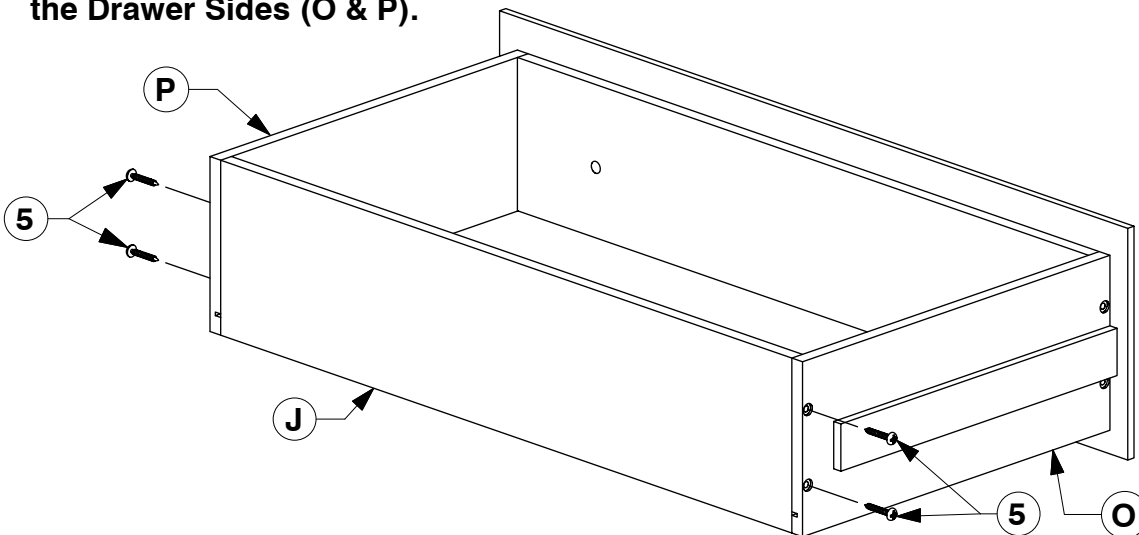
Drawer Chest

Assembly Instructions

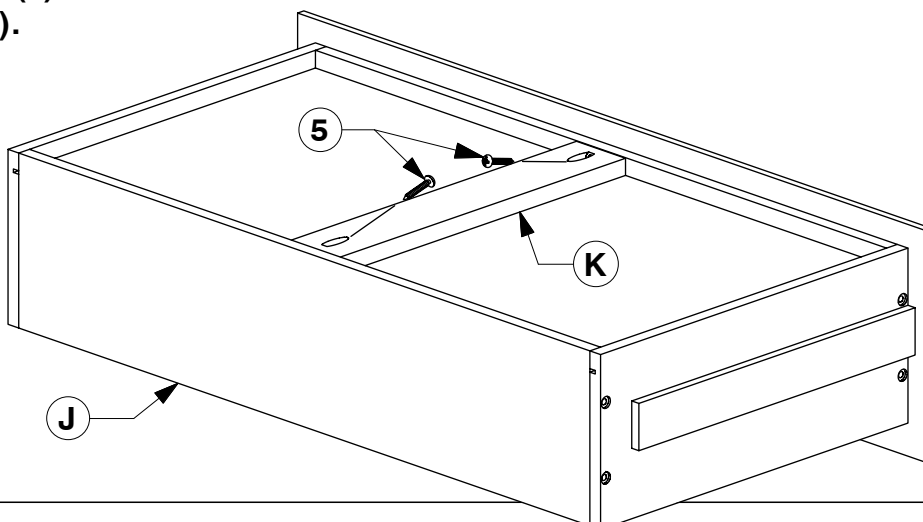
- 4** Slide the Drawer Bottom (L) into the groove on the Drawer Sides (O & P).



- 5** Assemble the Drawer Back (J) to the Drawer Sides (O & P).



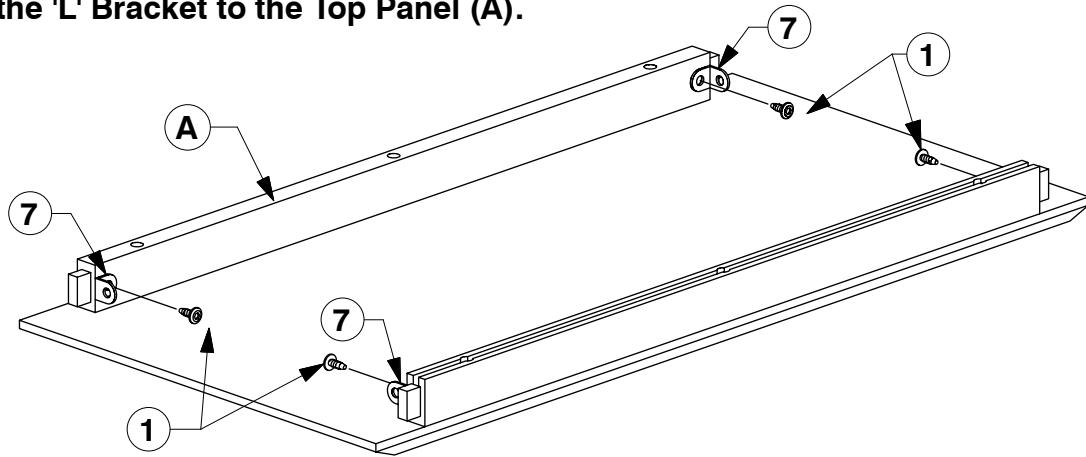
- 6** Turn the Drawer over to fit angled 25mm Wood screws (5) to the Drawer Rail (K).



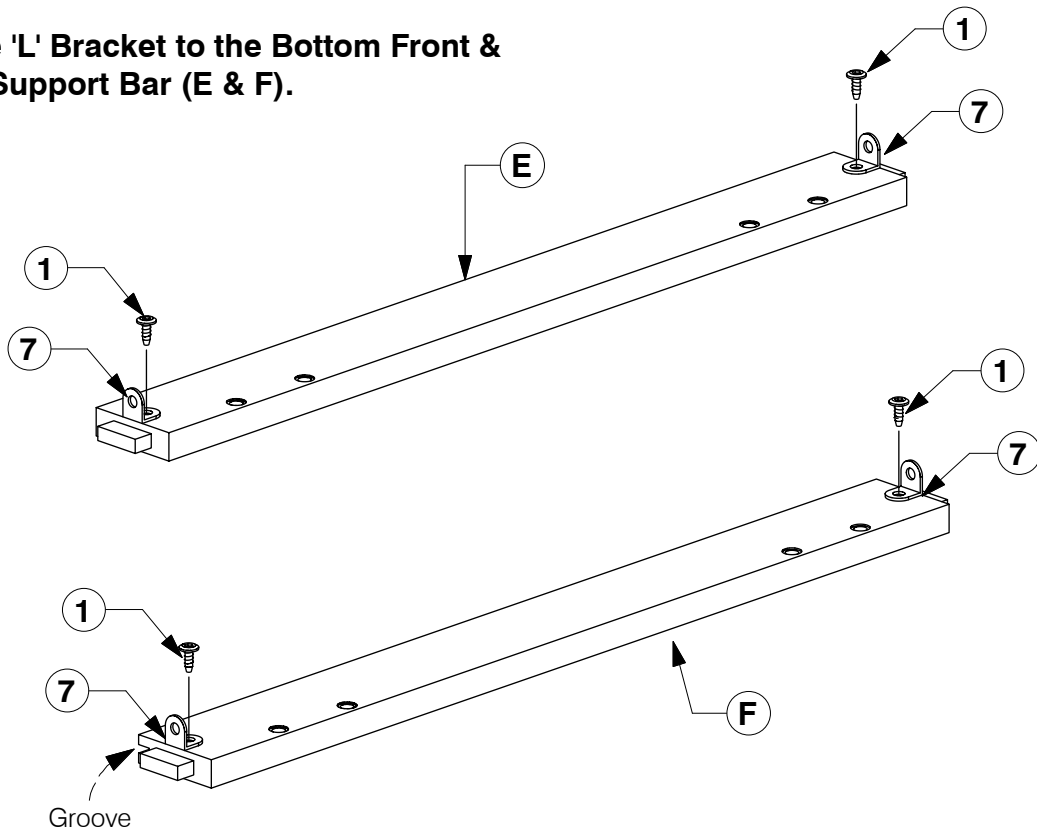
Drawer Chest

Assembly Instructions

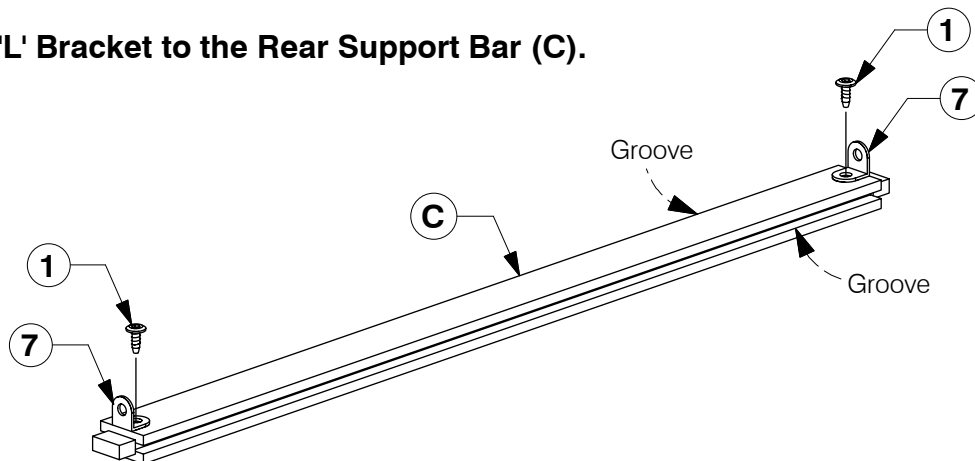
7 Fit the 'L' Bracket to the Top Panel (A).



8 Fit the 'L' Bracket to the Bottom Front & Rear Support Bar (E & F).



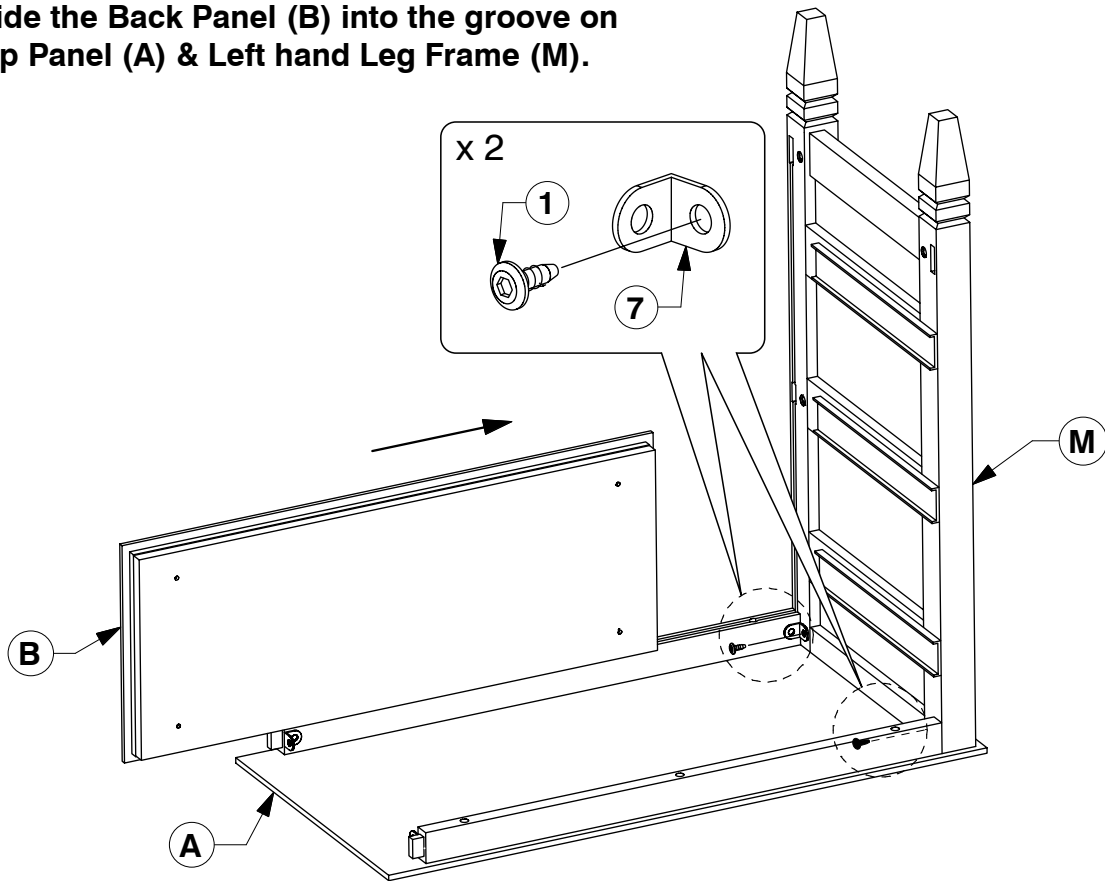
9 Fit the 'L' Bracket to the Rear Support Bar (C).



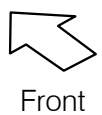
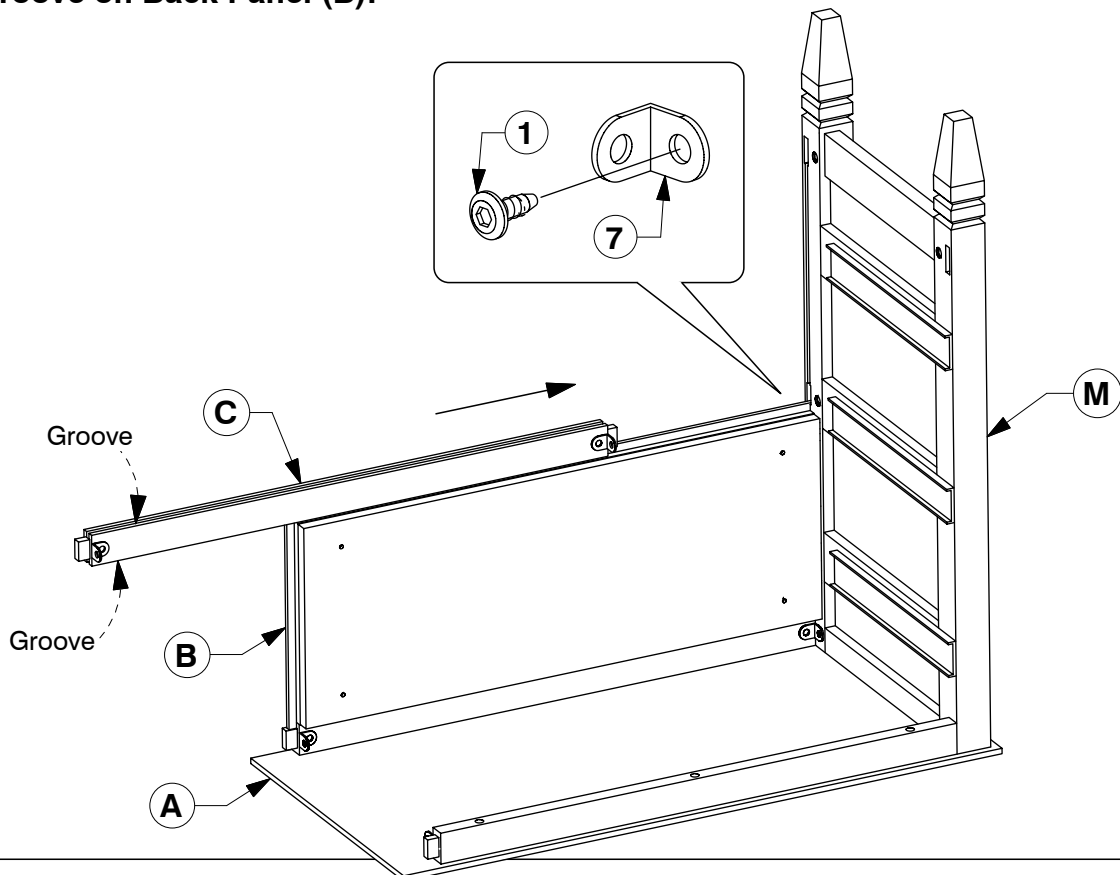
Drawer Chest

Assembly Instructions

- 10** Slide the Back Panel (B) into the groove on Top Panel (A) & Left hand Leg Frame (M).



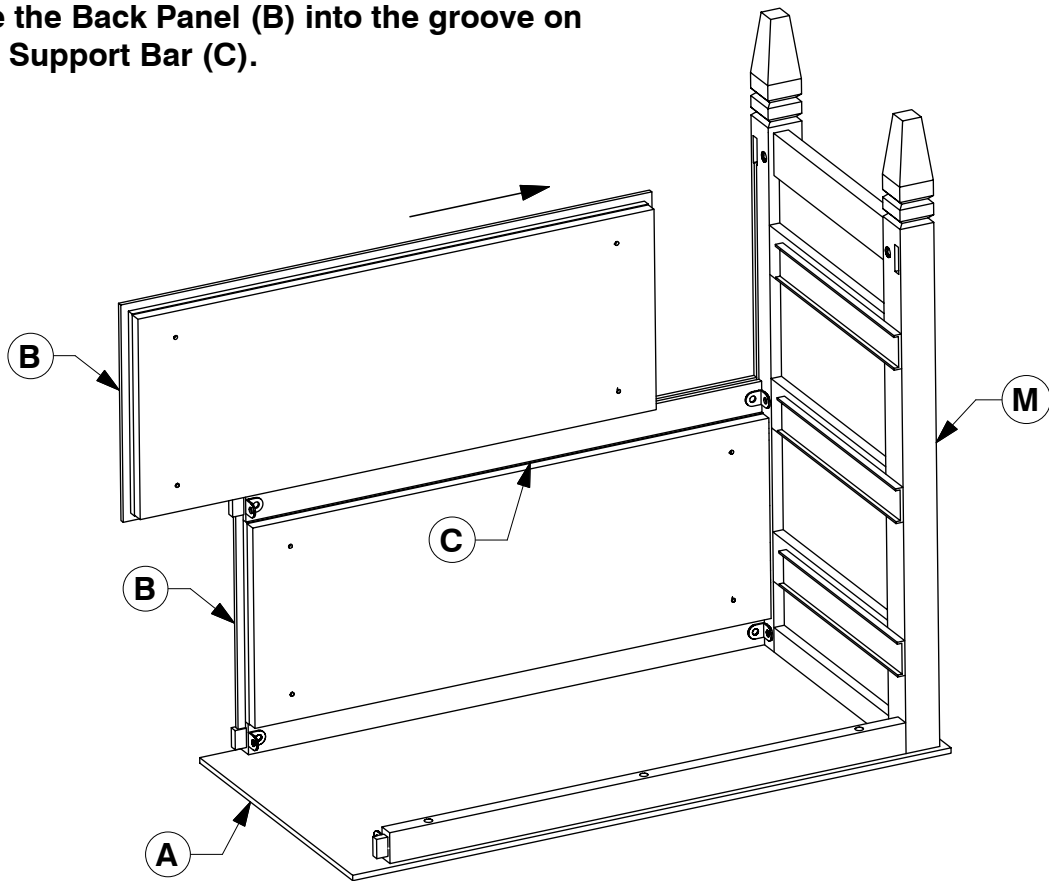
- 11** Slide the Rear Support Bar (C) into the groove on Back Panel (B).



Drawer Chest

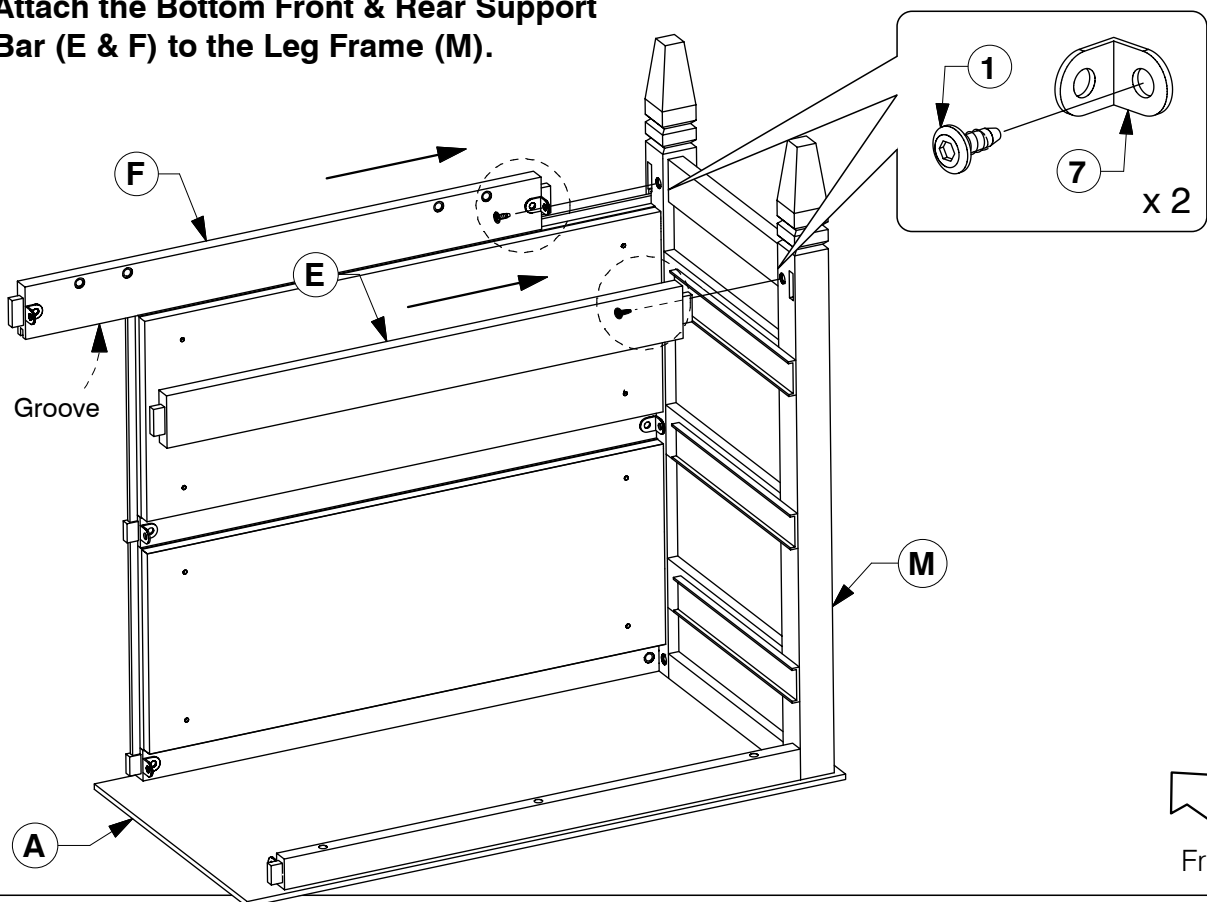
Assembly Instructions

- 12** Slide the Back Panel (B) into the groove on Rear Support Bar (C).



Front

- 13** Attach the Bottom Front & Rear Support Bar (E & F) to the Leg Frame (M).

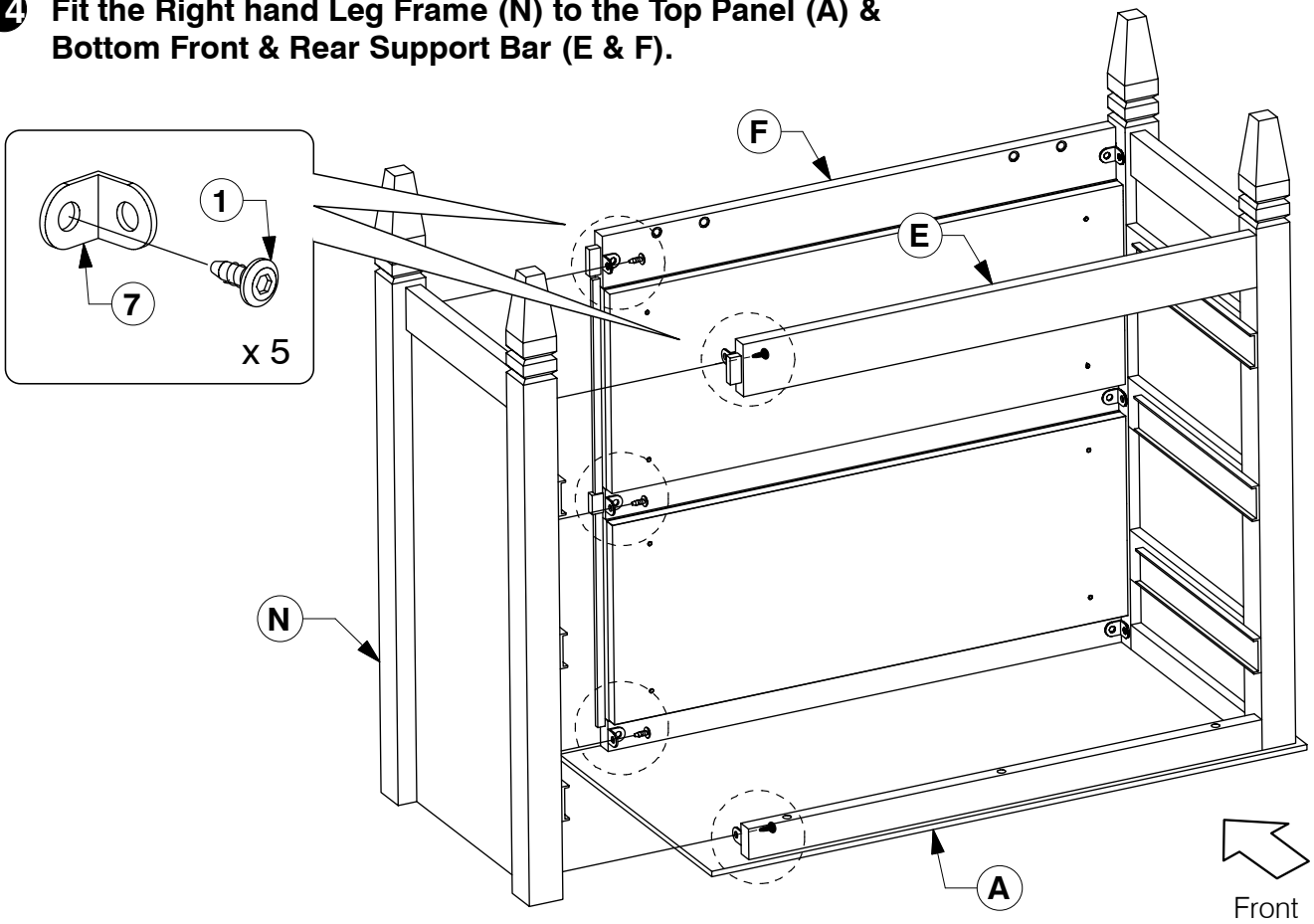


Front

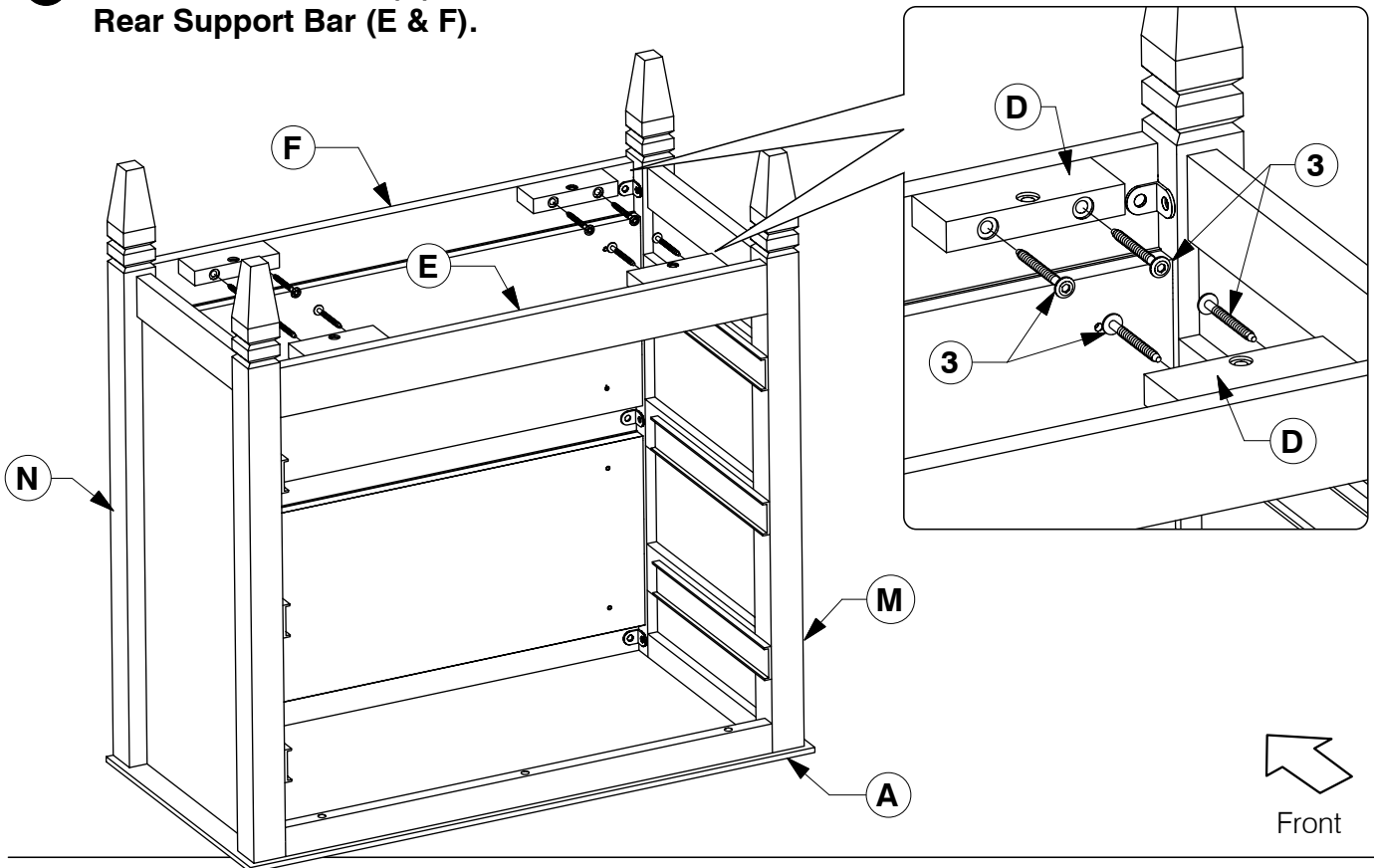
Drawer Chest

Assembly Instructions

- 14** Fit the Right hand Leg Frame (N) to the Top Panel (A) & Bottom Front & Rear Support Bar (E & F).



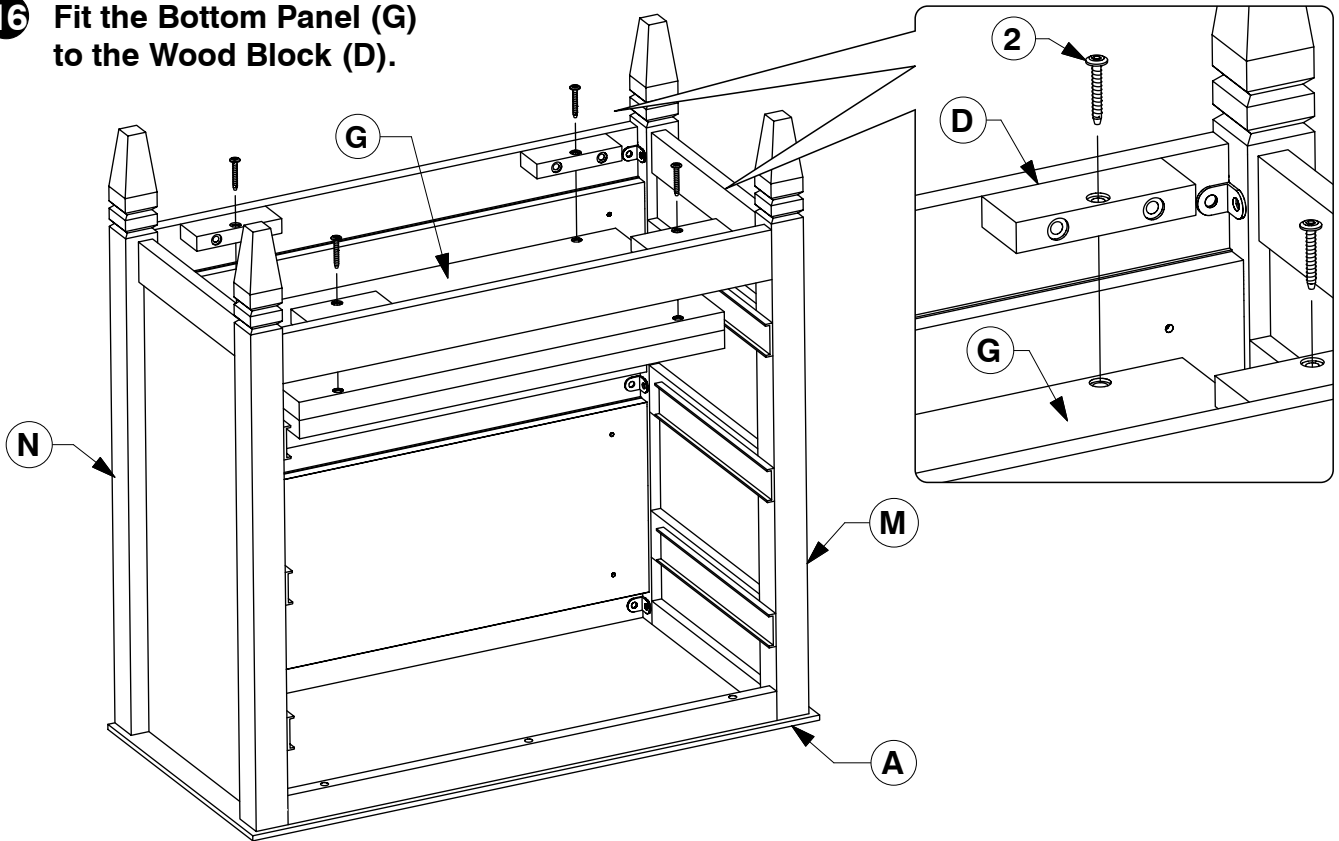
- 15** Fit the Wood Block (D) to the Bottom Front & Rear Support Bar (E & F).



Drawer Chest

Assembly Instructions

- 16** Fit the Bottom Panel (G) to the Wood Block (D).



- 17** Fit the Handle to the Drawer face (H).
Finally, fit the assembled Drawer.

