

IMPORTANT SAFETY INSTRUCTIONS

Please read and understand this entire manual before attempting to assemble, install or operate the product.

WARNING:

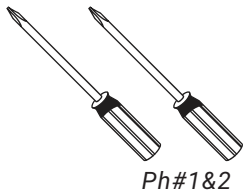
Disconnect power by turning off the circuit breaker or by removing the fuse at the fuse box. (All electrical steps should be performed by a qualified person or electrician.)

Ensure wiring and outlet box are compliant with national and local electrical codes, including the NEC. SkyOutlet requires installation on the branch circuit solid 12 or 14 AWG wire.

CAUTION:

To reduce risk of fire, use one (1) E26 **Max 60-watt** incandescent G30 bulb or CFL/LED equivalent (bulb not included). This fixture is meant for indoor use, **SUITABLE FOR DRY LOCATIONS AND DAMP LOCATIONS**.

TOOL NEEDED:(NOT PROVIDED)



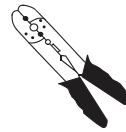
Ph#1&2



Safety Glasses



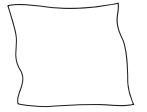
Step Ladder



Wire Stripper

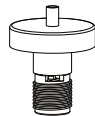


Pliers

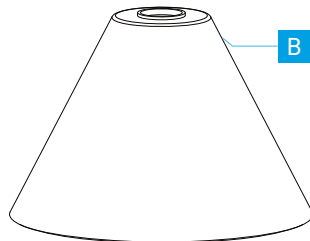


Soft Cloth

PACKAGE CONTENT



A Fixture Body x1

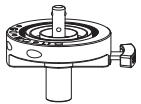


B Glass Shade x1



C Socket Ring x1

MOUNTING HARDWARE



AA SkyPlug x1



BB SkyOutlet x1
with 2 rubber washers
and 2 mounting screws



CC Cover Plate x1



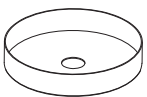
DD Cap x1
Use when cleaning &
painting or when fixture
is not in use



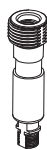
EE 4mm Washer x2
7mm Washer x2



FF Jumper Lead x2
Optional



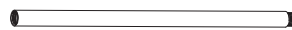
GG Canopy x1



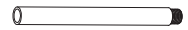
HH Swivel x1



II Finial Nut x1



JJ 12" Rod x3



KK 6" Rod x2

Install SkyOutlet

IMPORTANT:

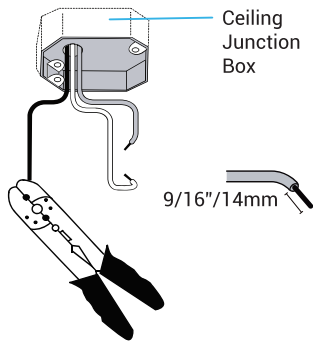
Disconnect power by turning off the circuit breaker or by removing the fuse at the box. All electrical steps should be performed by a qualified person or electrician.

Scan QR code below for reviewing SkyOutlet installation video.

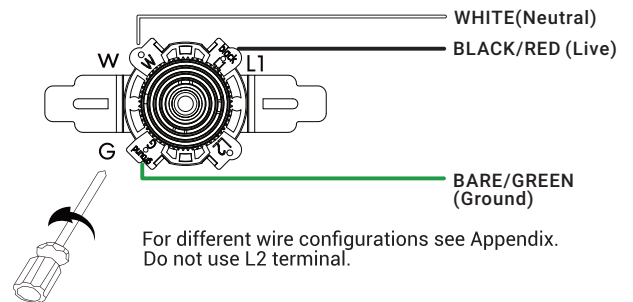


1 Wire SkyOutlet to ceiling junction box.

A. Strip wire to 9/16"/14mm.

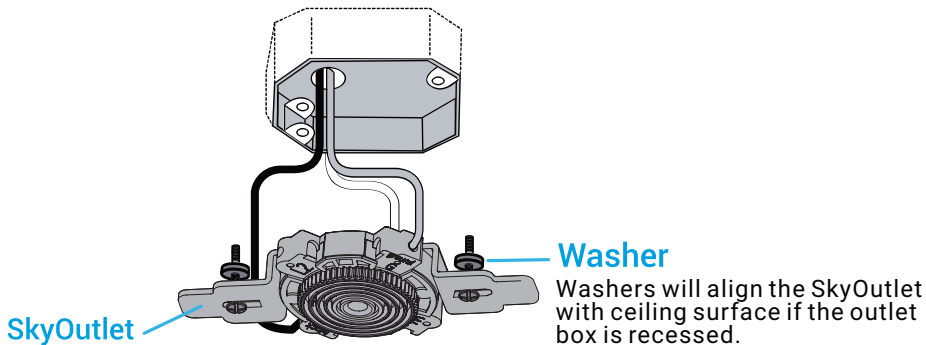


B. Loosen terminal screws to insert branch circuit wires into the corresponding terminals. Tighten to secure wires. Check to make sure wires are securely inserted into terminals. Set screw torque value at 6.3 lb/in.

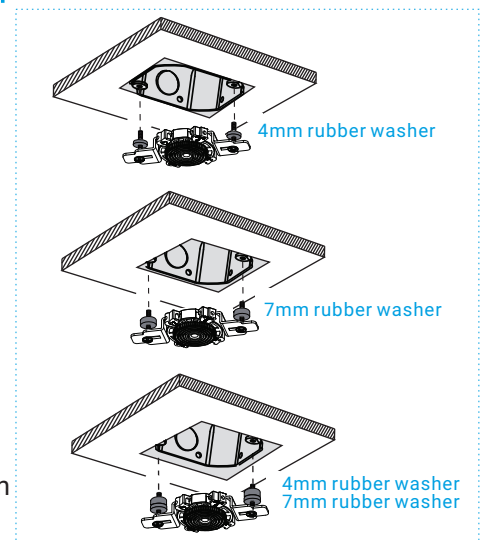


2 Secure SkyOutlet to outlet box using 2 screws and washers (included).

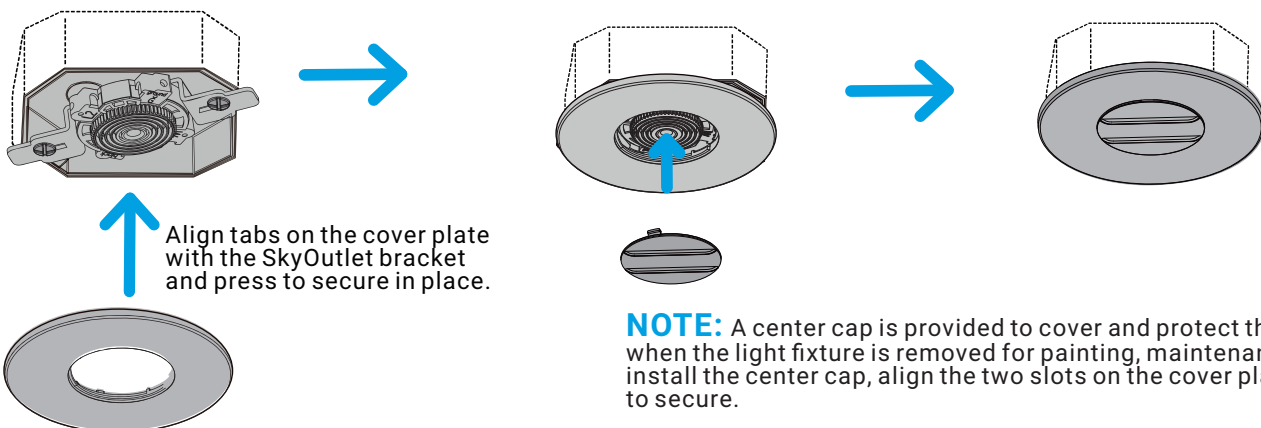
For different wire configurations see Appendix.



IMPORTANT: If your box is flush with ceiling or recessed less than 1.5 mm (0.06"), use 4 mm washer. If recessed between 1.5 mm (0.06") and 3 mm (0.12") use larger 7 mm rubber washer. If recessed more, use combination of both washers.



3 Secure cover plate as shown.



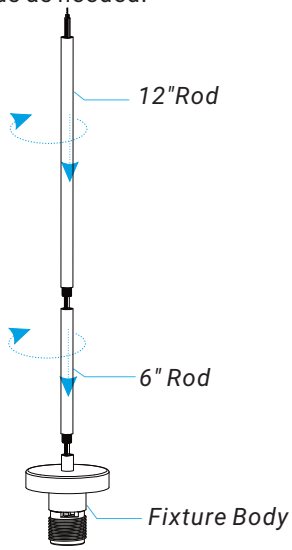
Assemble Fixture (All steps can be assembled on the floor.)

Scan QR code below for reviewing rod fixture installation video.



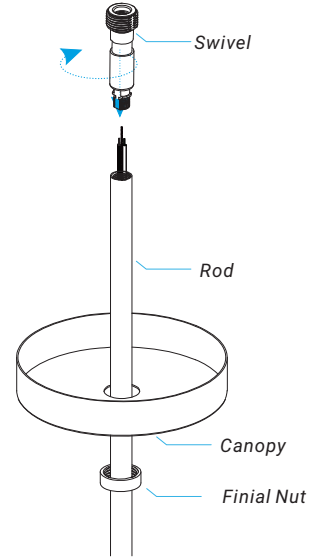
1 Install fixture rod.

Determine preferred hanging height of fixture and install rods as needed.



2 Install swivel.

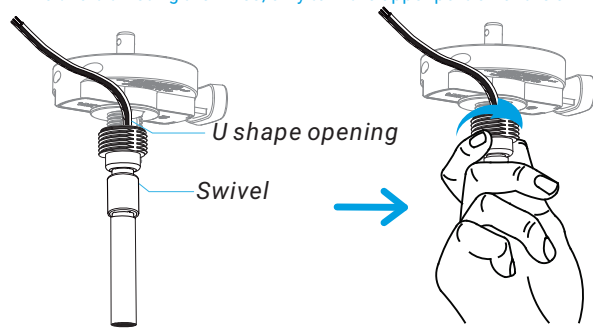
Place Finial Nut & Canopy down the rod in the order as shown. Feed fixture wire through Swivel. Install Swivel.



3 Install SkyPlug.

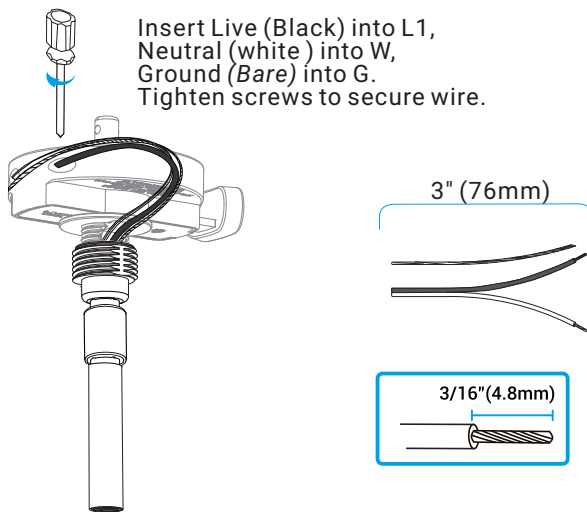
Route wires through the U shape opening. Secure and tighten swivel to the SkyPlug as shown.

CAUTION: To avoid twisting the wires, only turn the upper portion of the swivel, not the SkyPlug.



4 Wire SkyPlug.

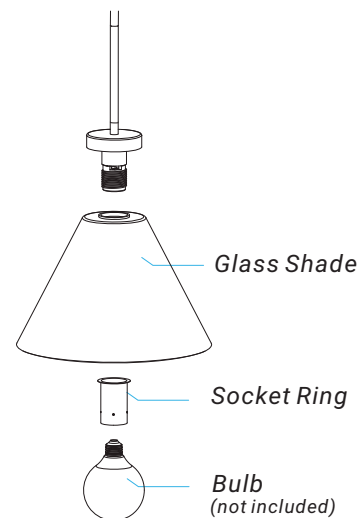
Measure the leads to cut excess wire and strip the leads. Recommended leads length 3", strip length 3/16".



5 Install glass shade and socket ring.

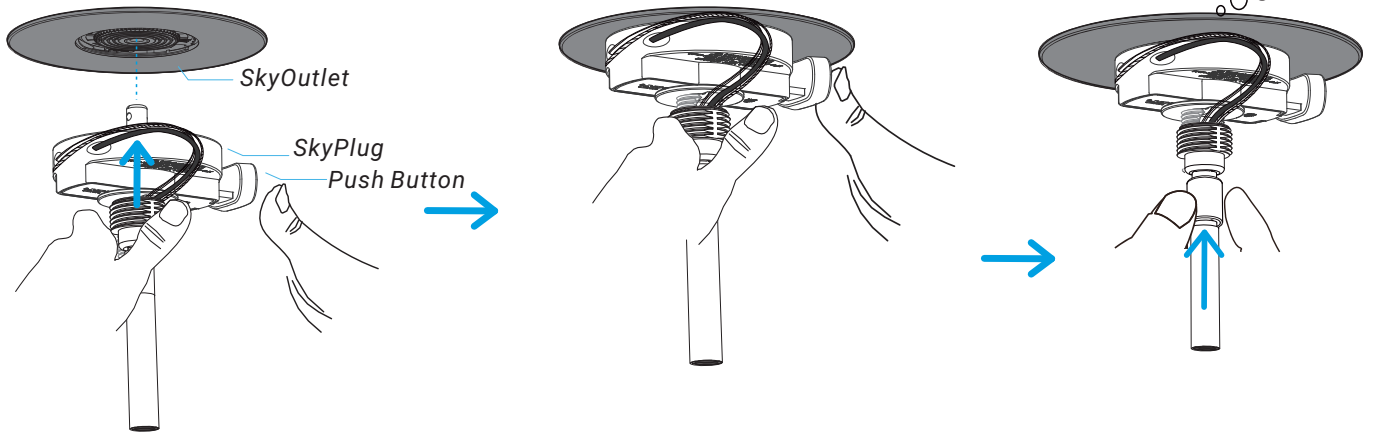
Install bulb (not included).

Recommended Bulb Type: E26-G30, Max. 60W



Connect SkyPlug to SkyOutlet

1 While supporting fixture, plug into the SkyOutlet.



Align with the center hole and press the push button to insert into the SkyOutlet.

Keep button pressed in while inserting SkyPlug into the SkyOutlet.

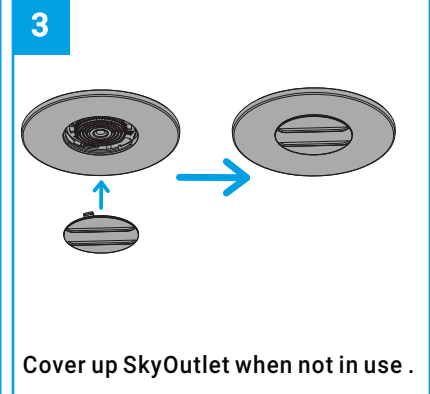
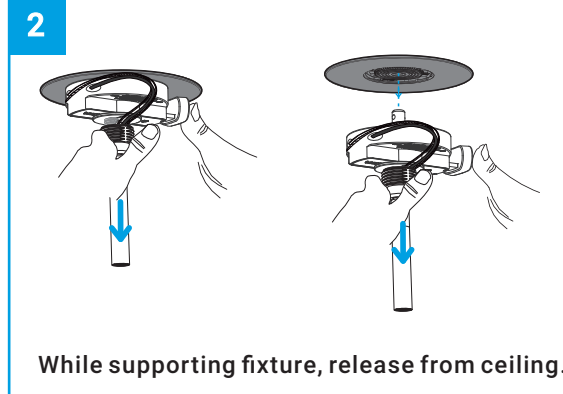
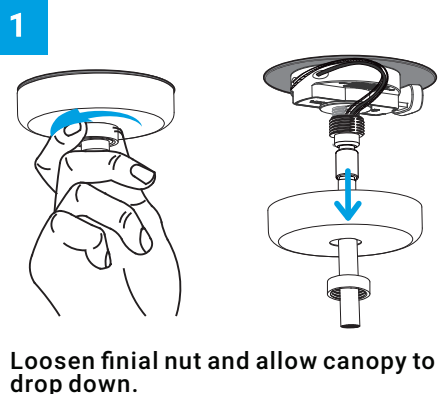
Once inserted, let go of the push button and push up until you hear the "click" sound.

2 Once plugged in, slide the Canopy up to the ceiling surface and secure in place with the finial nut.



Your installation is now complete! Restore electricity and save this manual for future reference.

Removing SkyPlug Fixtures

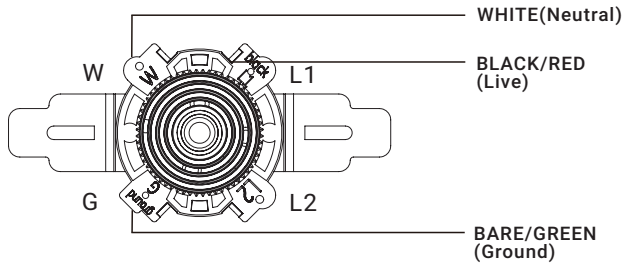


APPENDIX

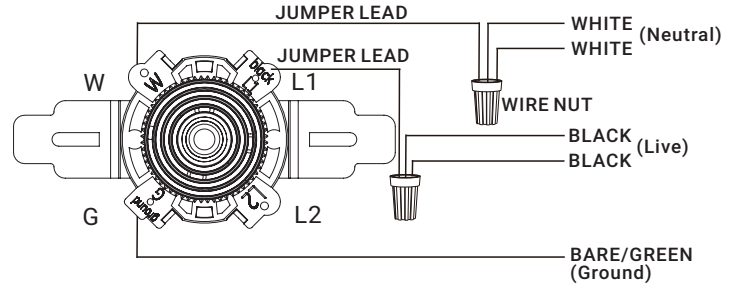
Additional Wiring Diagram

IMPORTANT: If you have multiple wires inside your outlet box, you will need to determine which lead is the live or switched lead and insert this lead into L1. If you are not sure how your house is wired, contact 1-866-885-4649 for questions or contact an electrician. When multiple wires are connected together use a solid wire 12 or 14 AWG JUMPER LEAD (included) to insert into the receptacle terminal. **Do not use L2.**

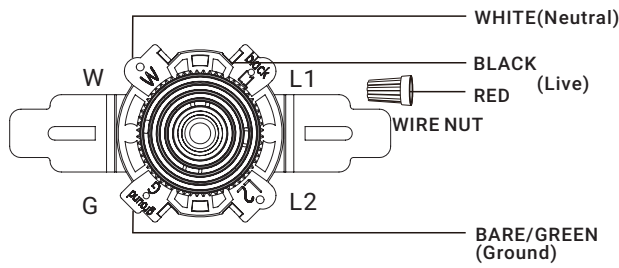
WIRING DIAGRAM#1:



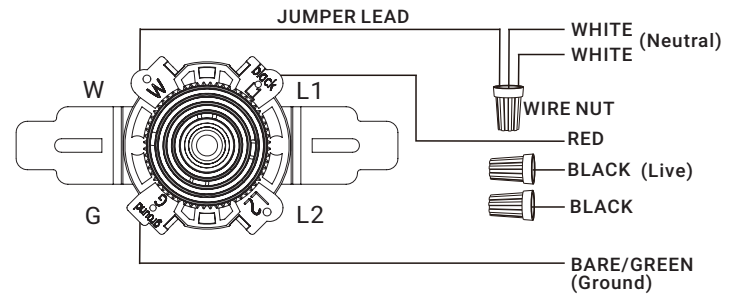
WIRING DIAGRAM#4:



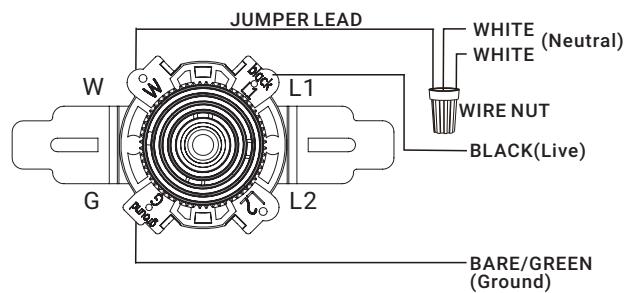
WIRING DIAGRAM#2:



WIRING DIAGRAM#5:



WIRING DIAGRAM#3:



NOTE: If you have multiple wires connected together, add **the included JUMPER LEAD** and insert jumper lead into terminal. Only one single wire can be inserted into terminal (See diagram 3-5).

LIMITED PRODUCT WARRANTY

For warranty info, visit www.LumLight.com/warranty