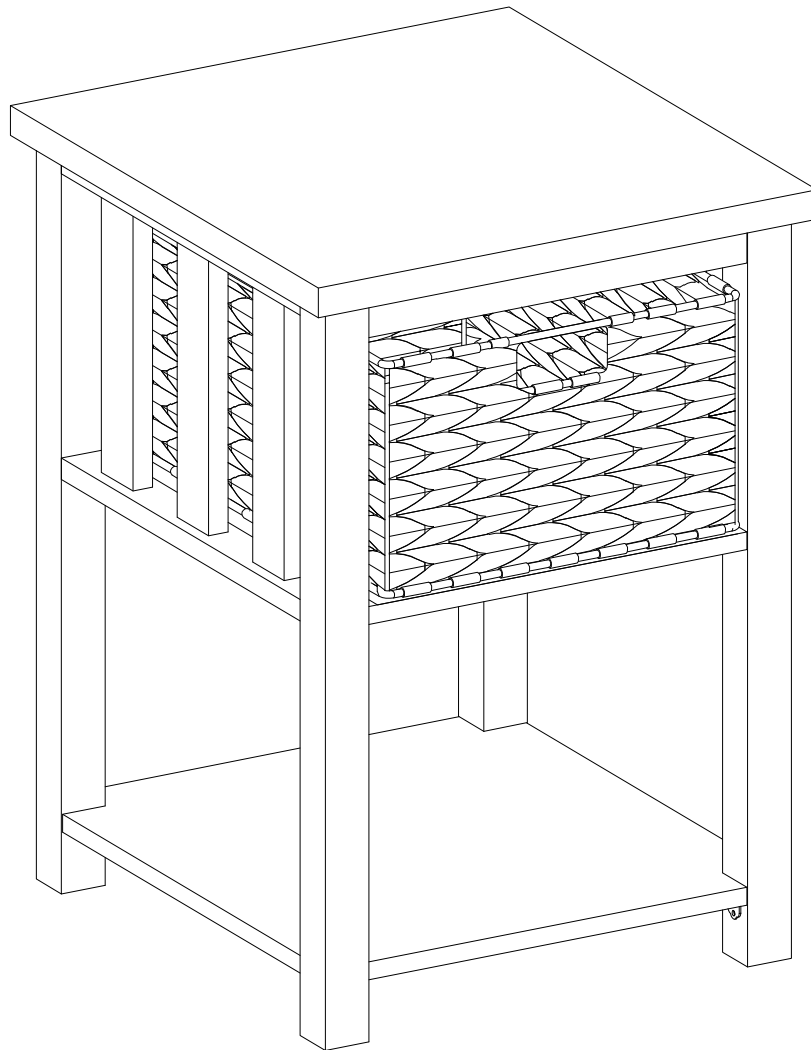
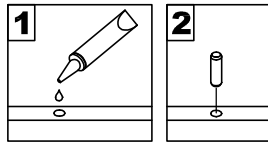


Assembly Instructions

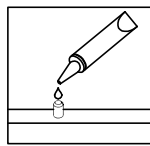


General Assembly Guidelines

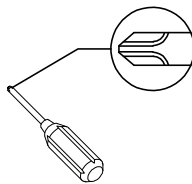
- I. Ensure that all parts and hardware are available before beginning assembly.
- II. Follow each step carefully to ensure the proper assembly of this product.
- III. Two people are recommended for ease in the assembly of this product.
- IV. The three main types of hardware used to assemble this product are: wood dowels, screws and bolts.
- V. The provided glue is to secure wood dowels in place. When first inserting dowels, locate the appropriate hole for the dowel, place a small amount of glue in the hole and insert the dowel. Wipe away excess glue immediately.



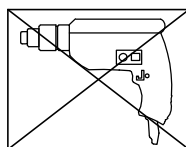
In future assembly steps when dowels are necessary to attach assembly parts together, place a small amount of glue on the end of the dowel before attaching parts together. Wipe away excess glue immediately.



- VI. A Phillips head screwdriver is required for the assembly of this product .

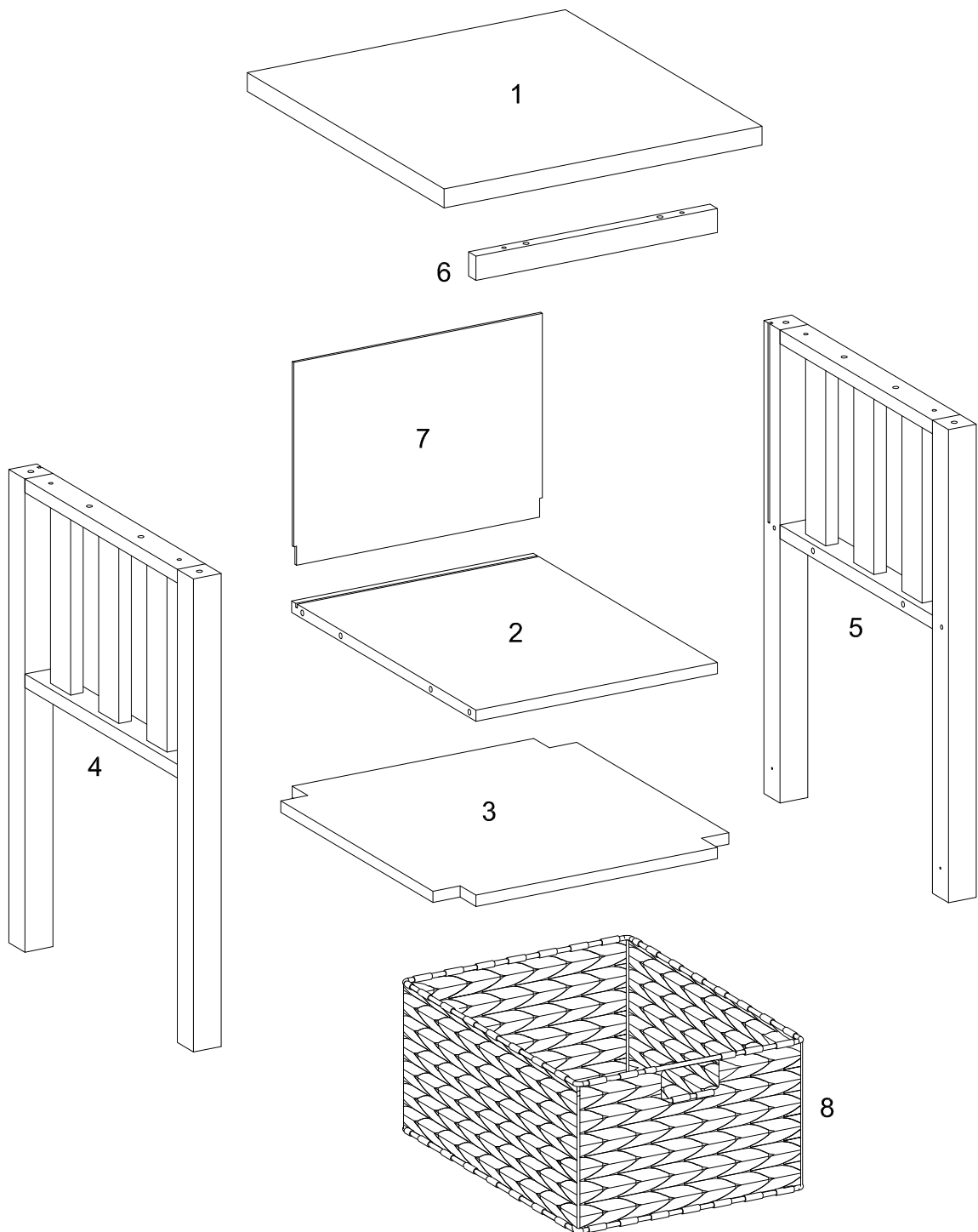


- VII. Power tools should not be used to assemble this product.






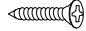
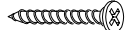



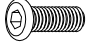



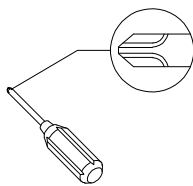
- VIII. Drill may be needed for securing product to wall.

Parts List



Hardware List

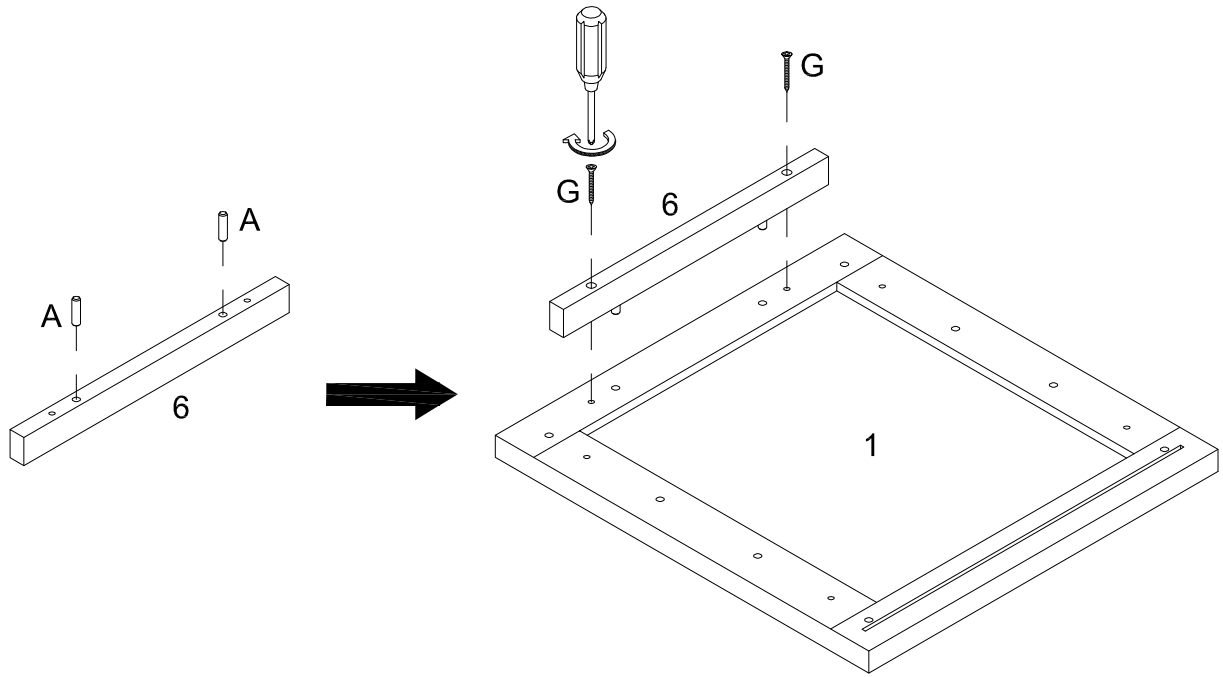
A		Ø8x30mm	Wooden dowel	14 pcs
B		Ø6x35mm	Cam bolt	4 pcs
C		Ø15x11mm	Cam lock	4 pcs
D		Ø30mm	Sticker	4 pcs
E			Plastic wedge	4 pcs
F		Ø3x17mm	Screw	4 pcs
G		Ø4x32mm	Screw	2 pcs
H			Bracket	4 pcs
J		Ø4x12mm	Screw	8 pcs
K		M4mm	Hex Key	1 pc
L		Ø6x28mm	Bolt	4 pcs
M			Glue tube	1 pc



Philips head screwdriver required for assembly
(not included)

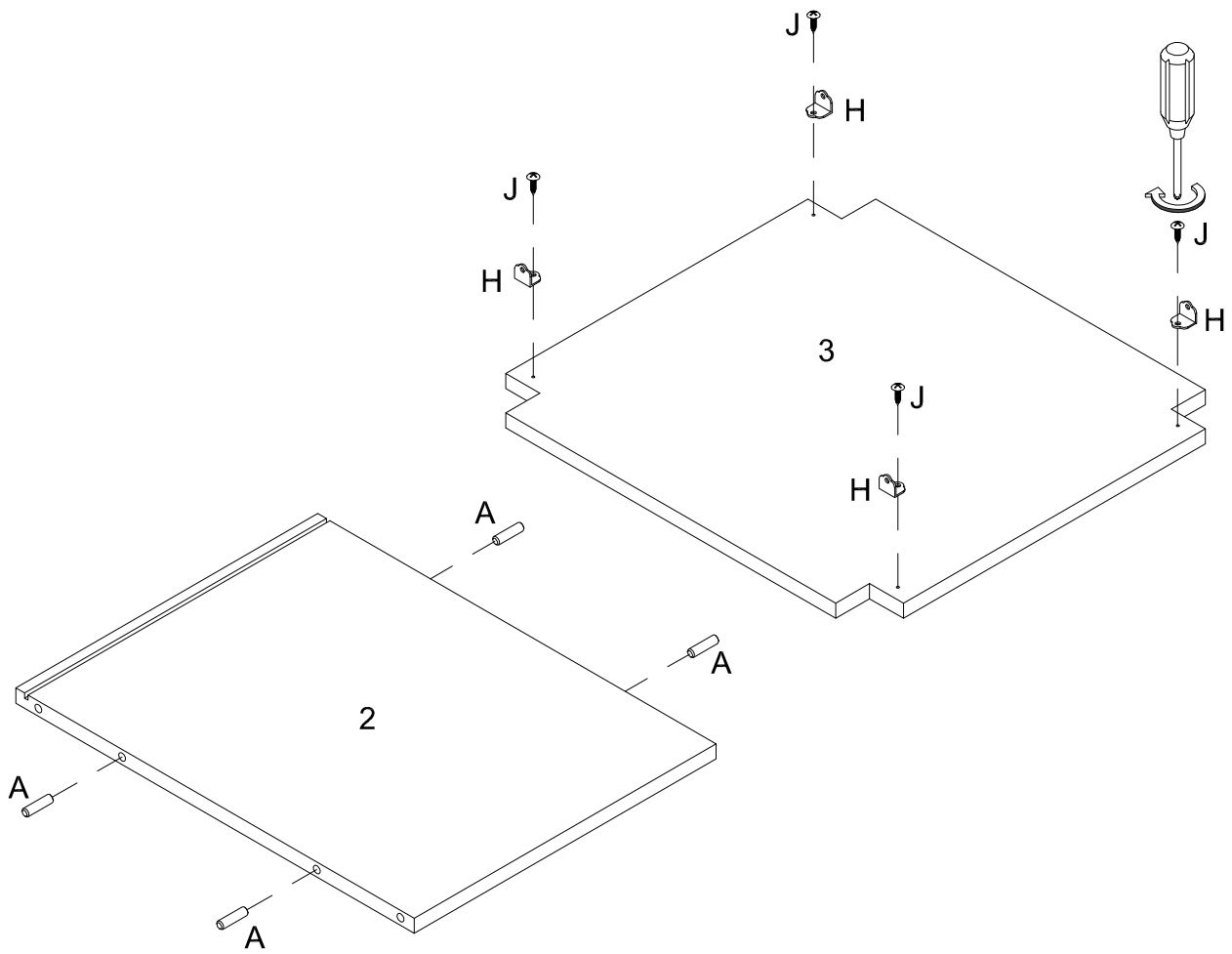
*The hardware quantities listed above are required for proper assembly.
Some extra hardware may also have been included.*

Step 1



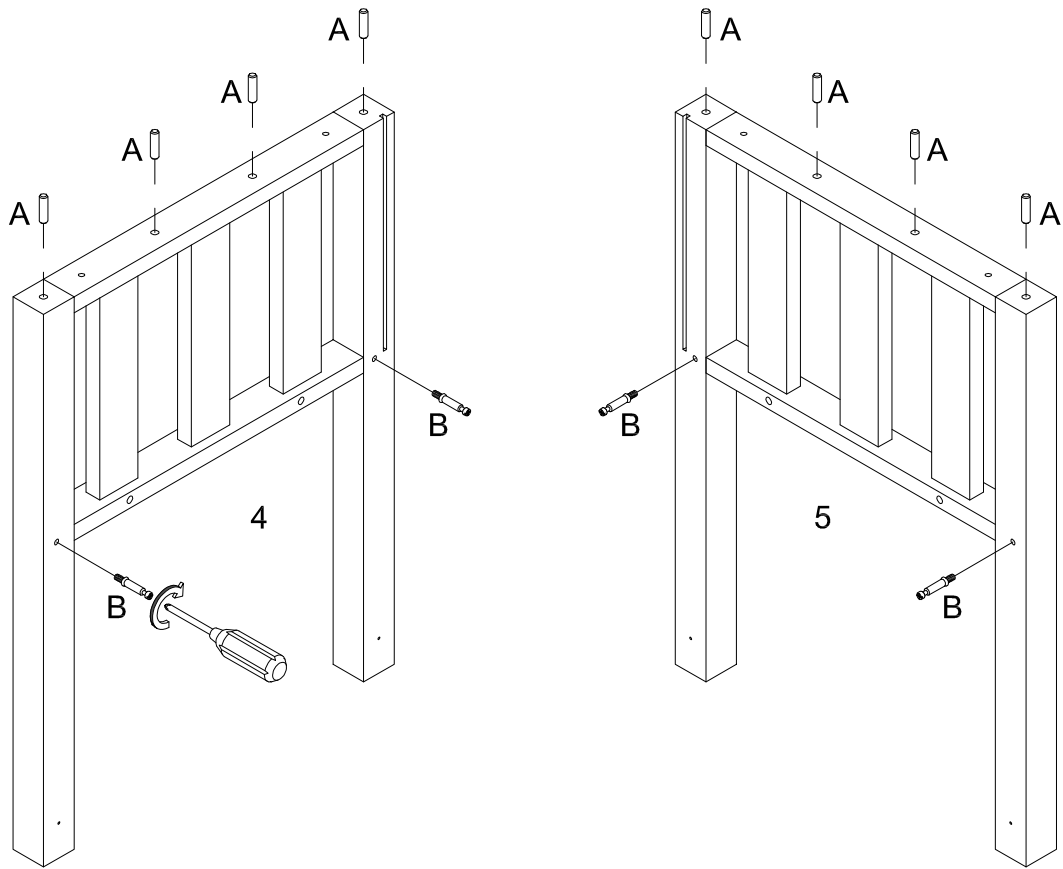
Insert wooden dowel (A) into part (6), then using screw (G) attach part (6) to part (1) with Philips head screwdriver as per diagram.

Step 2



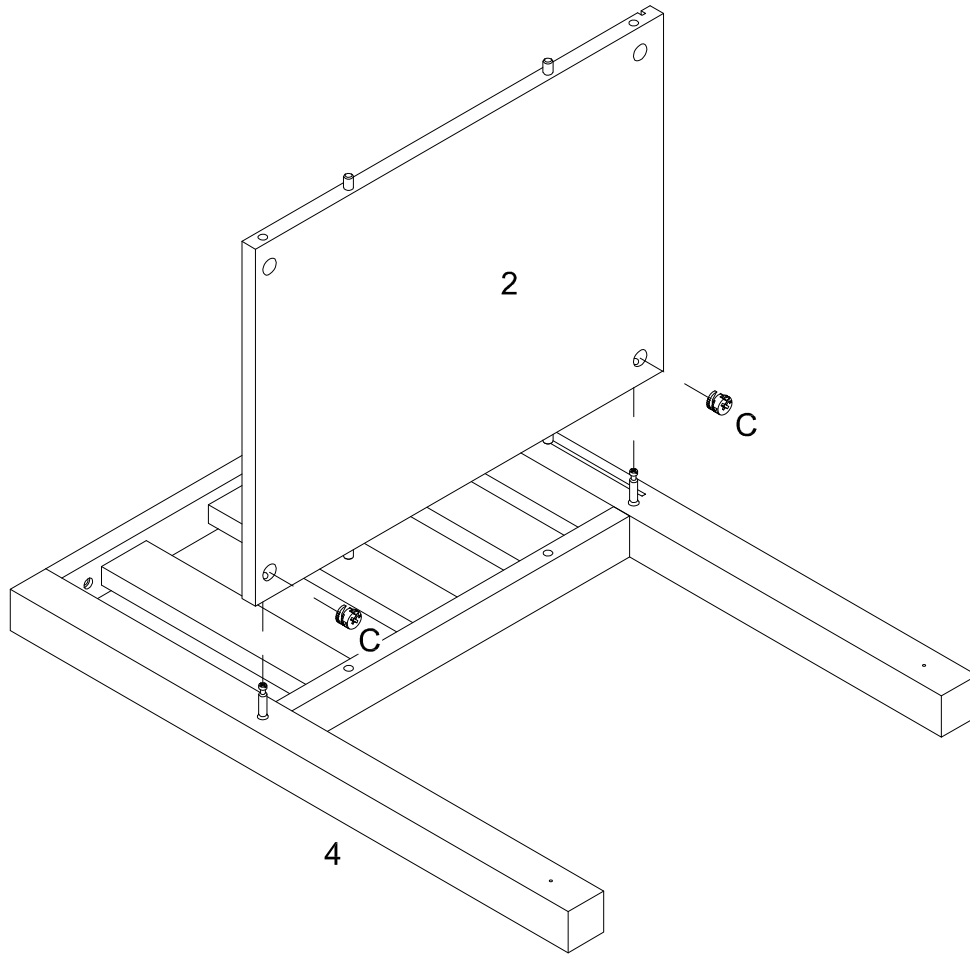
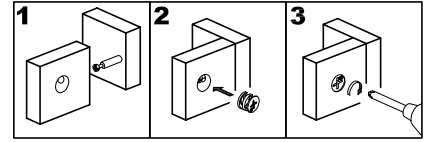
Insert wooden dowel (A) into part (2), then using screw (J) attach bracket (H) to part (3) with Philips head screwdriver as per diagram.

Step 3



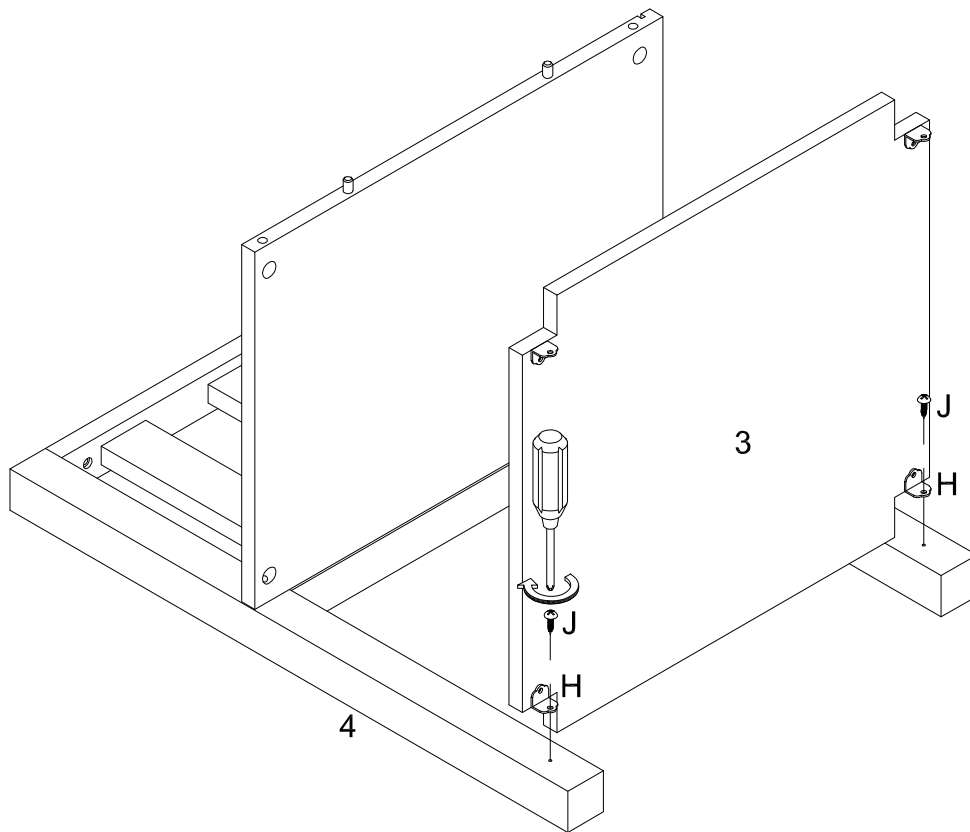
Insert wooden dowel (A) into parts (4,5), then secure cam bolt (B) into parts (4,5) with Philips head screwdriver as per diagram.

Step 4



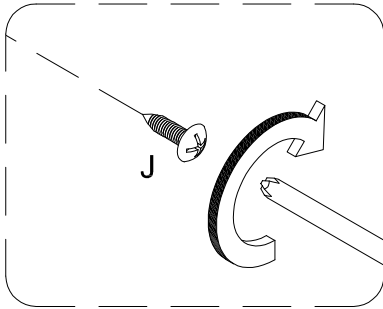
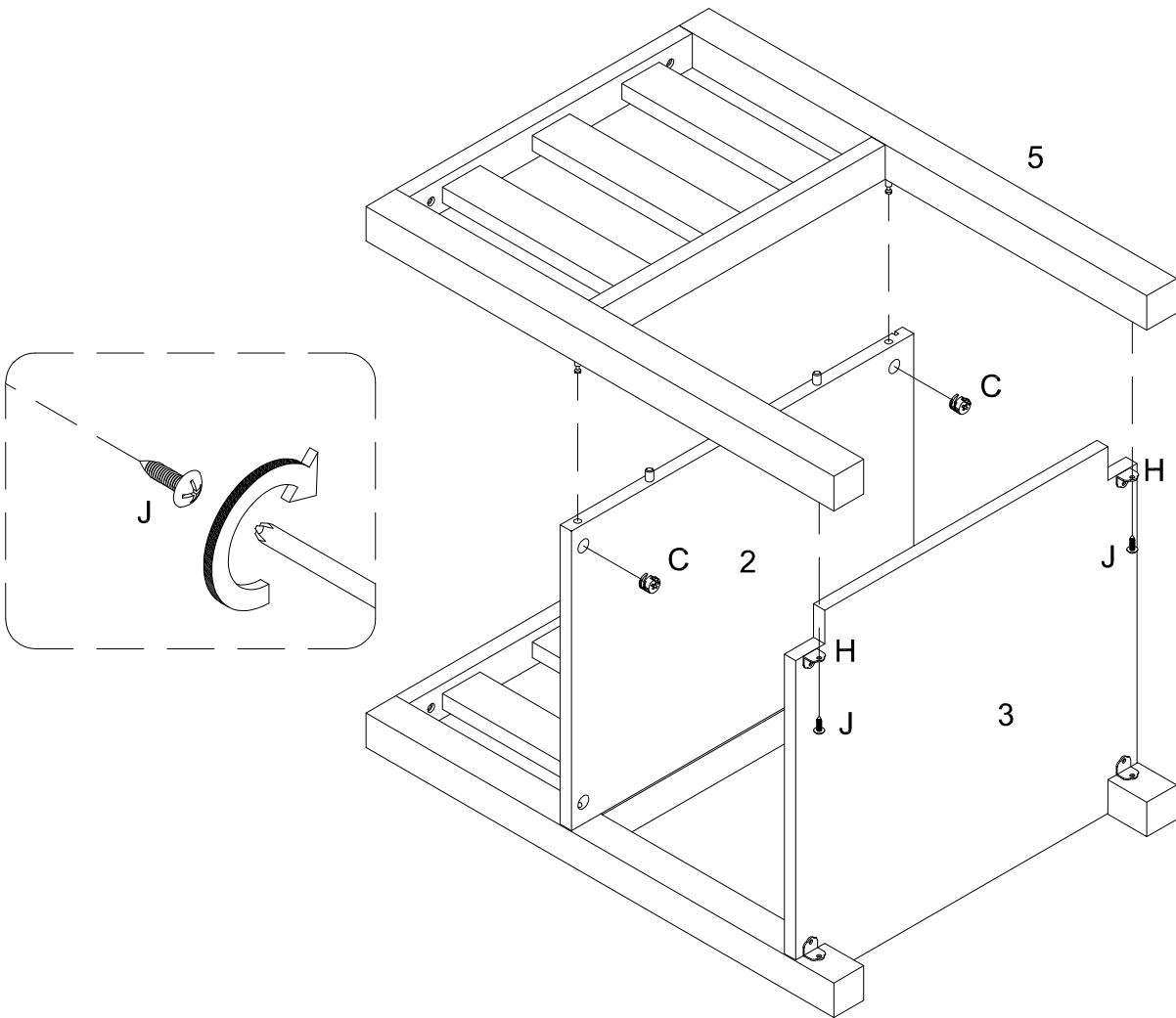
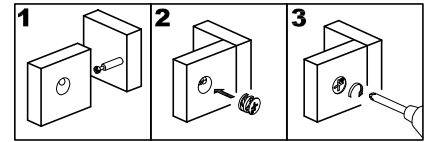
Using Cam lock(C) secure part (2) to part (4) with Philips head screwdriver as per diagram.

Step 5



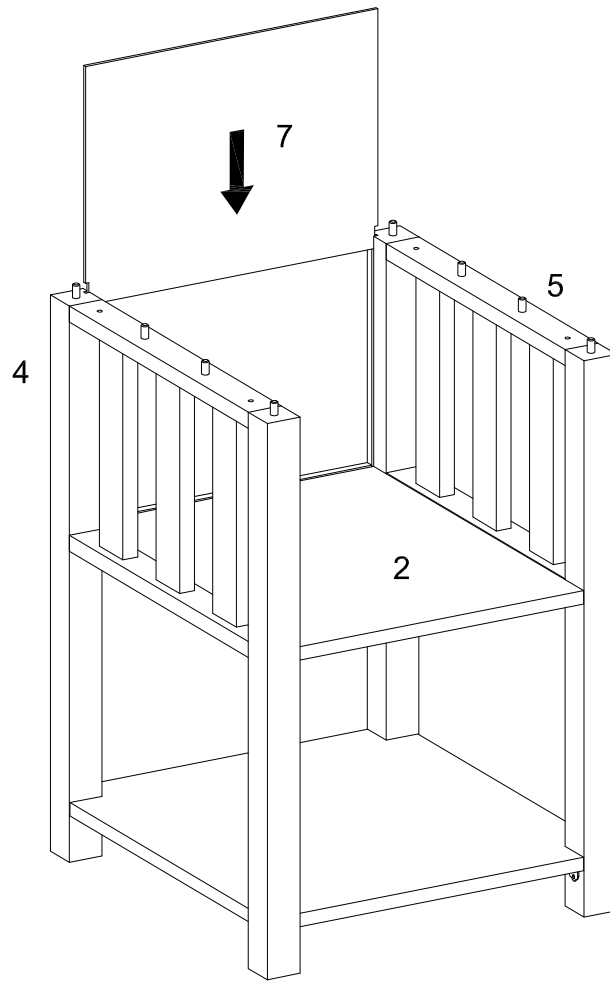
Using screw (J) attach bracket (H) to part (4) with Philips head screwdriver as per diagram.

Step 6



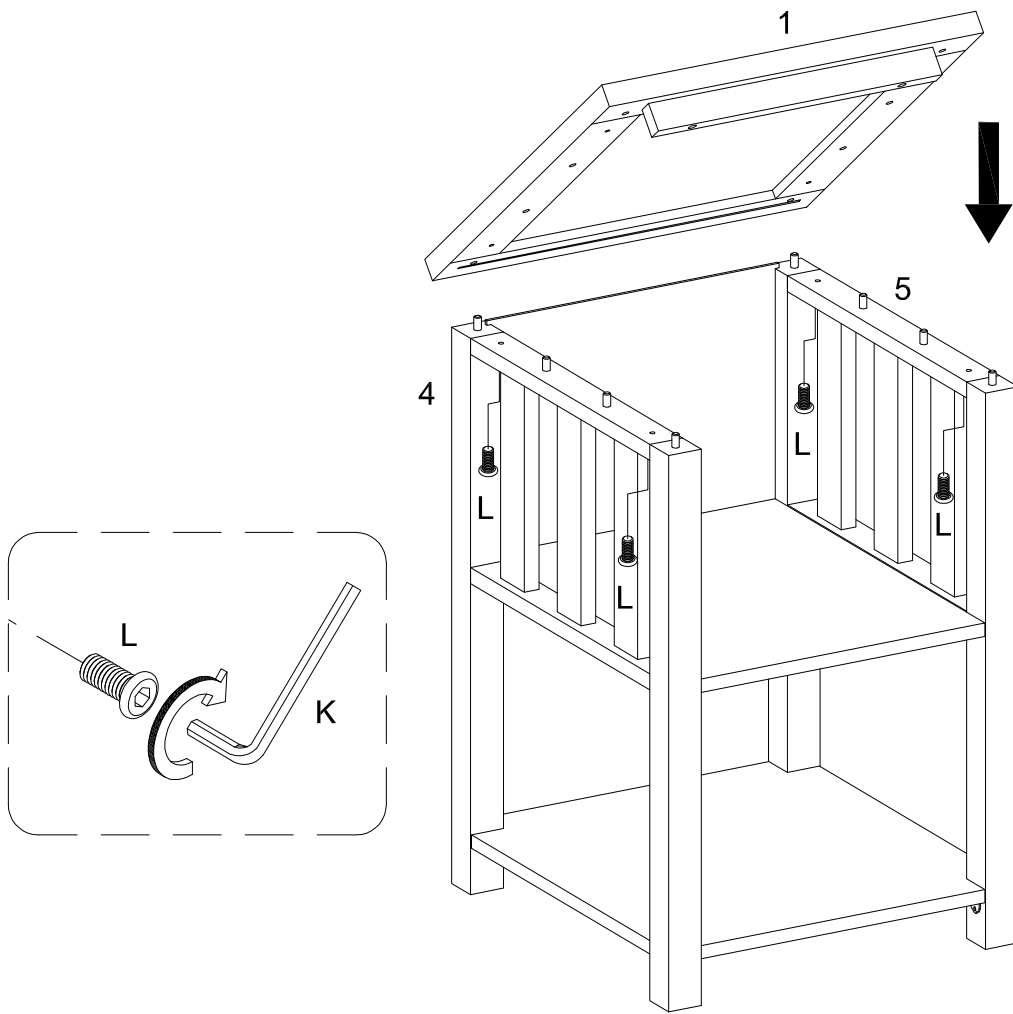
Using screw (J) attach bracket (H) to part (5) ,then using cam lock (C) secure part (5) to part (2) with Philips head screwdriver as per diagram.

Step 7



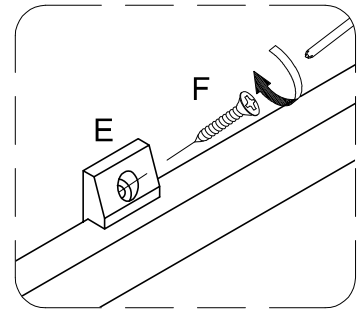
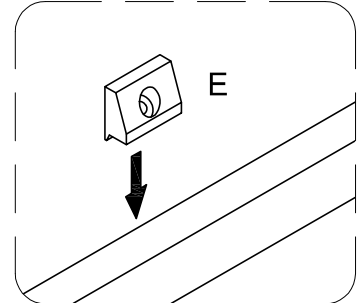
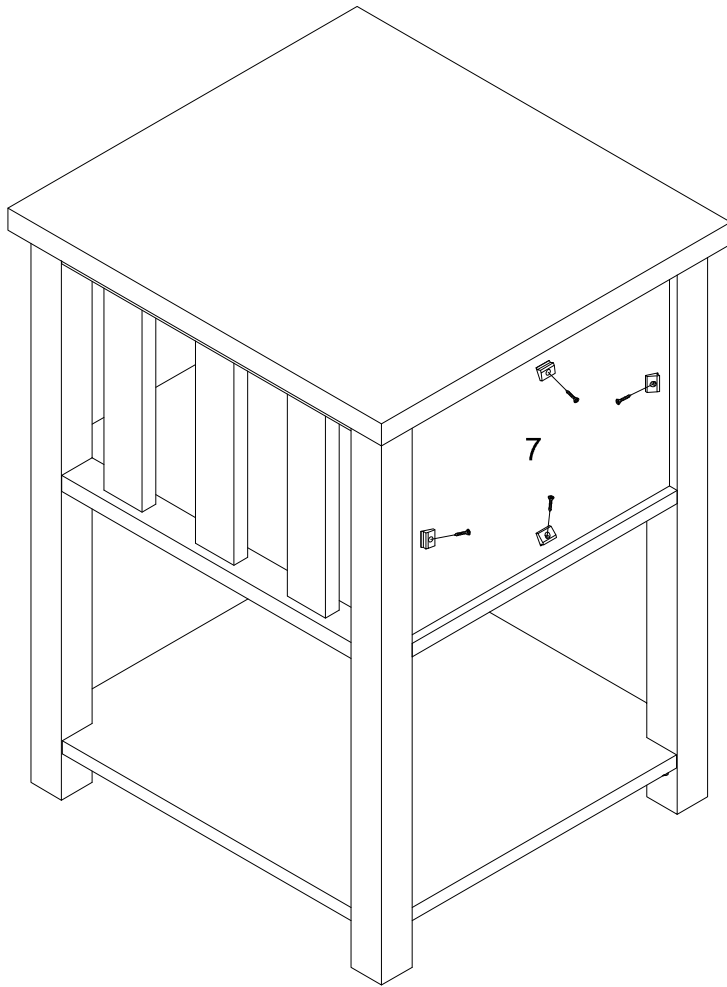
Put part (7) as per diagram.

Step 8



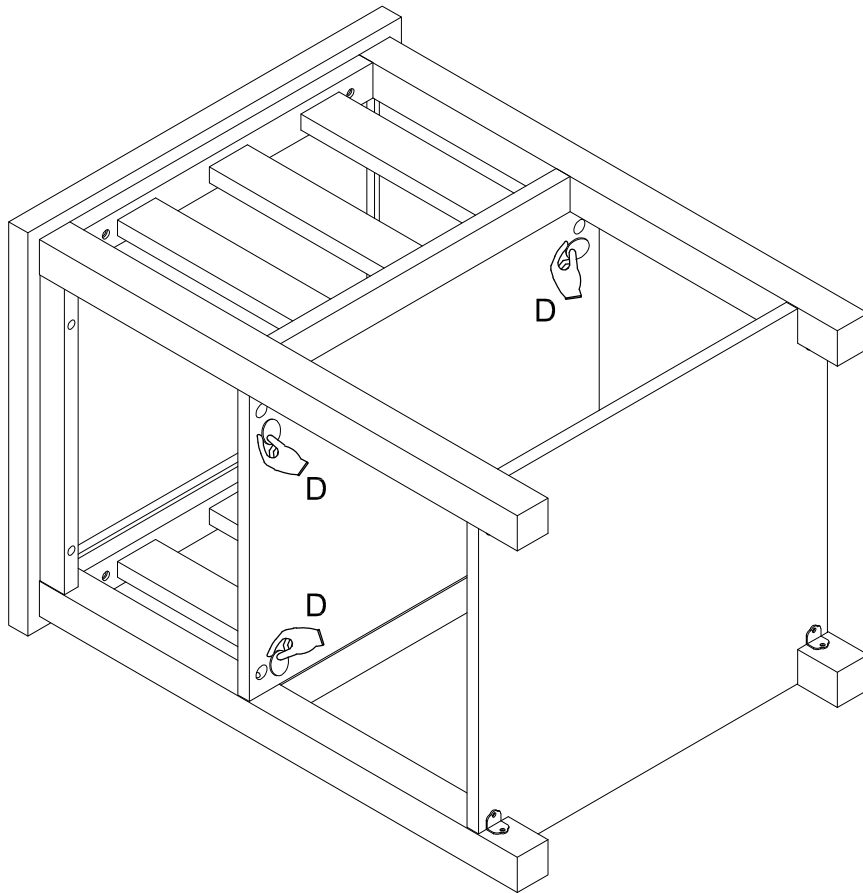
Using bolt (L) secure parts (4,5) into part (1) with Philips head screwdriver as per diagram.

Step 9



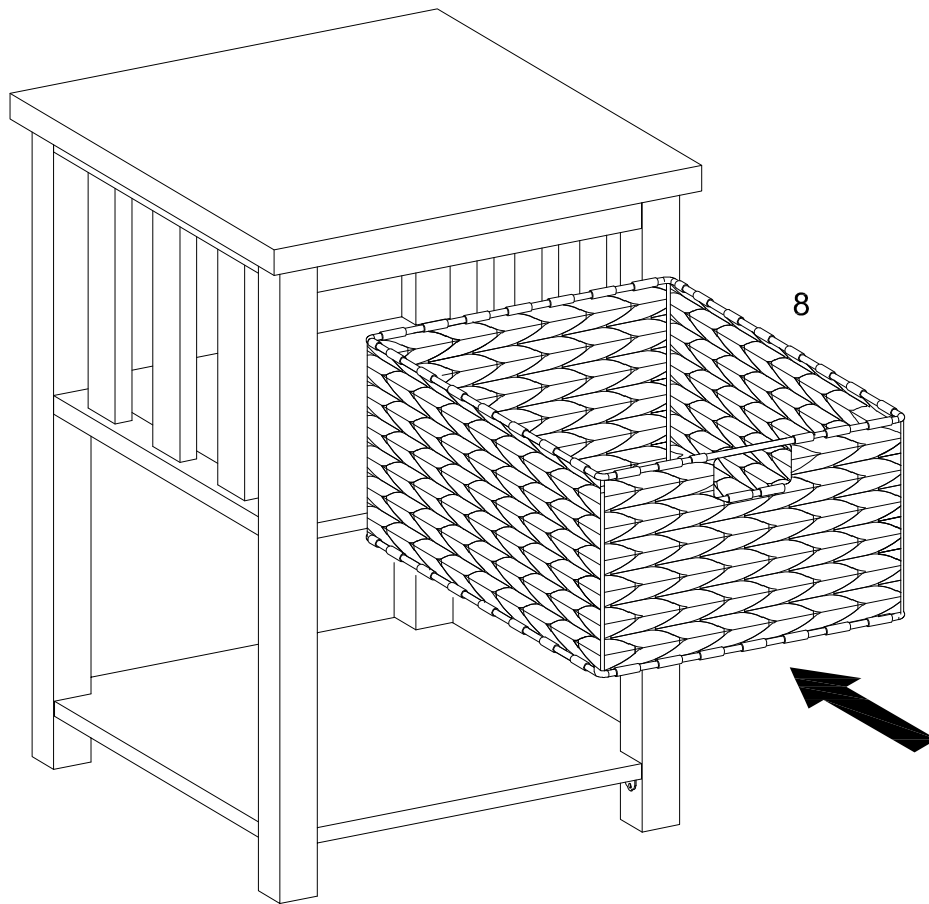
Using screw (F) attach plastic wedge (E) into part (7) with Philips head screwdriver as per diagram.

Step 10



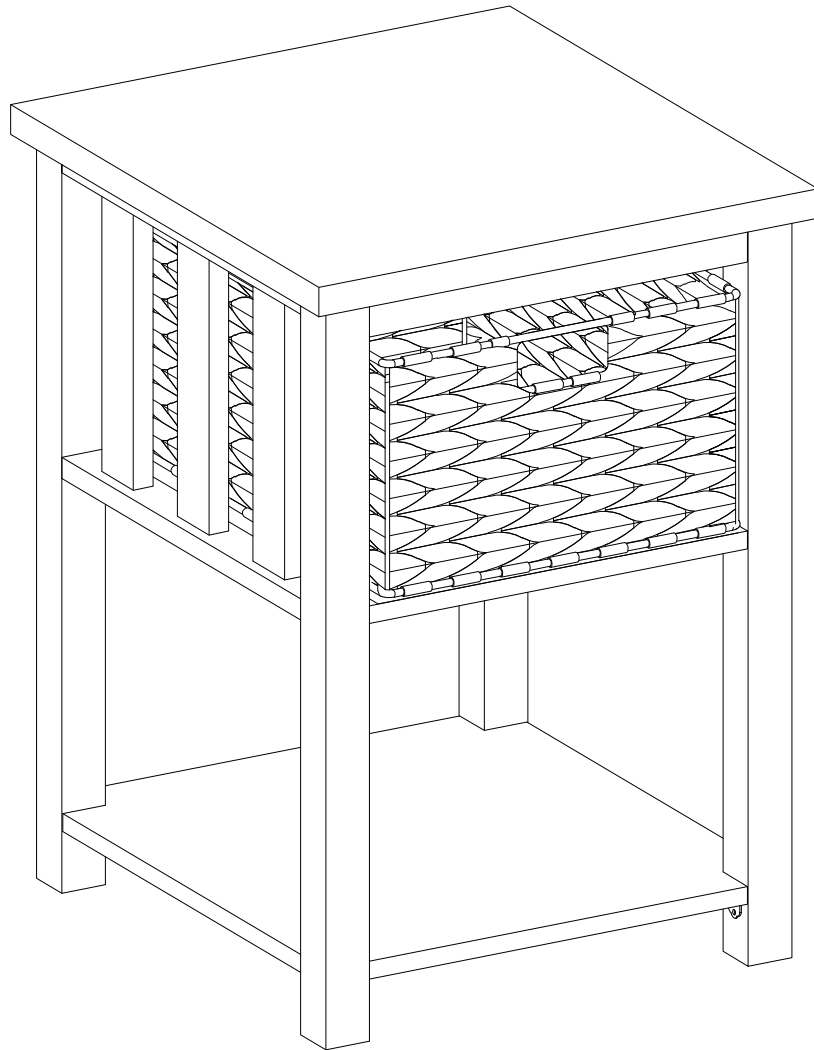
Place sticker (D) cover the holes as per diagram .

Step 11



Insert basket (8) into unit as per diagram.

Step 12



Final Assembly