

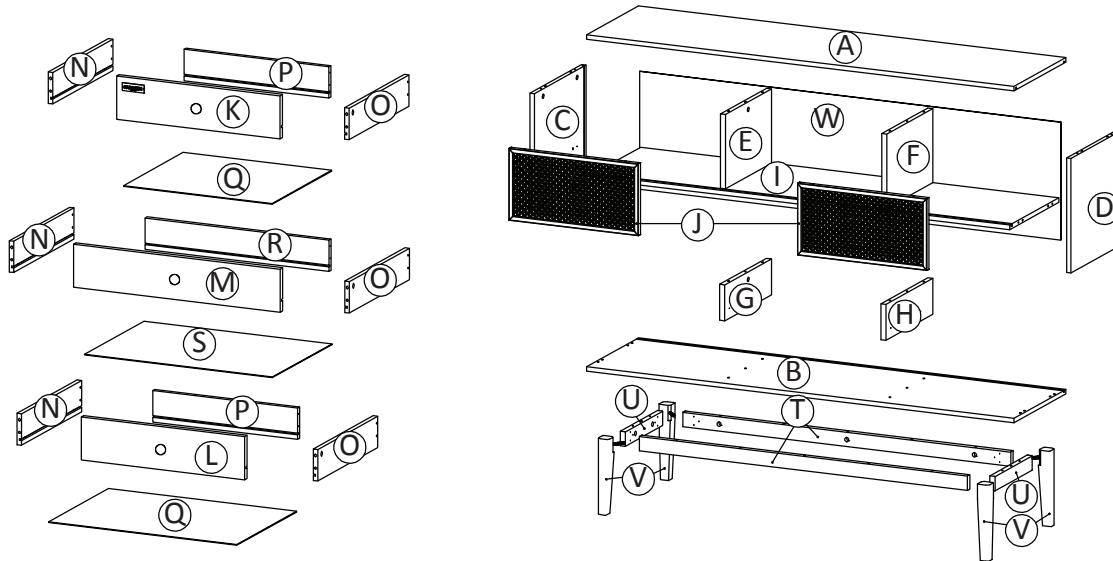
CARE AND MAINTENANCE

Always use felt pads under all articles to prevent discoloration or softening of the lacquer. Plastic and rubber bases on items can discolor wood. Wipe up spills immediately and avoid common hazards such as hot dishes, harsh solvents and abrasives. Cleaning should be done with a soft lint free cotton cloth dampened with water or furniture polish. On highly used surfaces we recommend applying a quality paste wax which should be used on a regular basis to provide additional protection from scratches and spills. How often you apply the wax depends on how much wear the furniture receives.

NOTICE

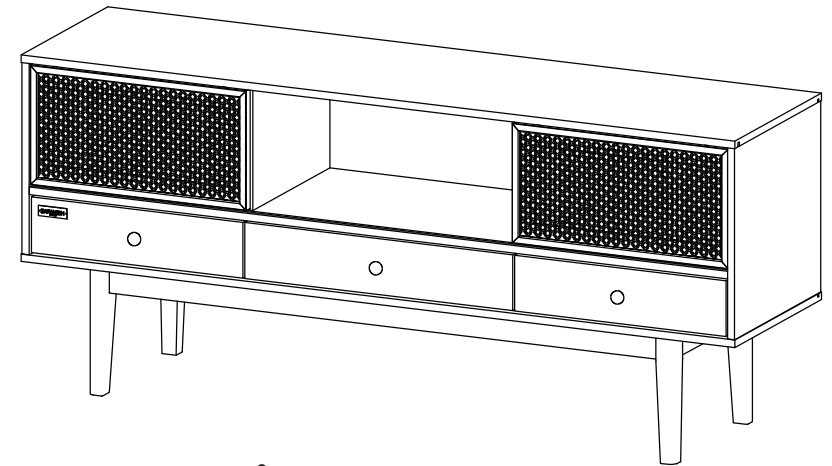
- * Please make sure that you have all parts indicated before you begin assembly of this item
- * This item should be assembled on a soft surface to prevent scratching the finish during assembly
- * This item may require periodic tightening

Part List and Hardware List



HW1x28 Ø 6 x 35 mm	HW2x22 Ø 15 mm	HW3x6 Ø 12 mm	HW4x4 Ø 8 x 50 mm	HW5x26 Ø 8 x 30 mm	HW6x6 Ø 6 x 30 mm
HW7x8 M 7 x 50 mm	HW8x1 L 4	HW9x4 HW15x1	HW10x4 HW16x4	HW11x12 9 x 14 x 10 mm	HW12x12 M 3.5 x 15.5 mm
HW13x4 HW19x26 M 6 x 10.5 mm	HW14x4 350 mm	HW21x18 M 3.5 x 13 mm	HW22x3 HW23x3 M 4 x 22 mm	HW17x24 M 4 x 16 mm	HW18x1 HW24x3 Ø 8 mm
HW25x4 Ø 15 mm	HW26x2 Ø 15 mm	HW27x12 M 8 x 39 mm			

Product Dimensions: 59"W x 15.4"D x 25.9"H



! WARNING :
WEIGHT CAPACITY: 62 LBS.
DO NOT STAND ON TV STAND

Part List & HW for Multi-Box Items

Piece	Description	Qty	Carton Call
A	Top Board	1	1 of 2
B	Bottom Board	1	1 of 2
C	Side Board Left	1	2 of 2
D	Side Board Right	1	2 of 2
E	Centre Board Left	1	1 of 2
F	Centre Board Right	1	1 of 2
G	Centre Board 2 Left	1	1 of 2
H	Centre Board 2 Right	1	1 of 2
I	Fixed Shelf	1	1 of 2
J	Frame Door	2	2 of 2
K	Front Drawer Left	1	2 of 2
L	Front Drawer Right	1	2 of 2
M	Front Drawer Middle	1	1 of 2
N	Side Drawer Left	3	2 of 2
O	Side Drawer Right	3	2 of 2
P	Back Drawer Left & Right	2	1 of 2
Q	Bottom Drawer Left & Right	2	2 of 2
R	Back Drawer Middle	1	1 of 2
S	Bottom Drawer Middle	1	2 of 2
T	Bottom Skirt 1	1	1 of 2
U	Bottom Skirt 2	1	1 of 2
V	Leg	4	2 of 2
W	Back Board	1	1 of 2

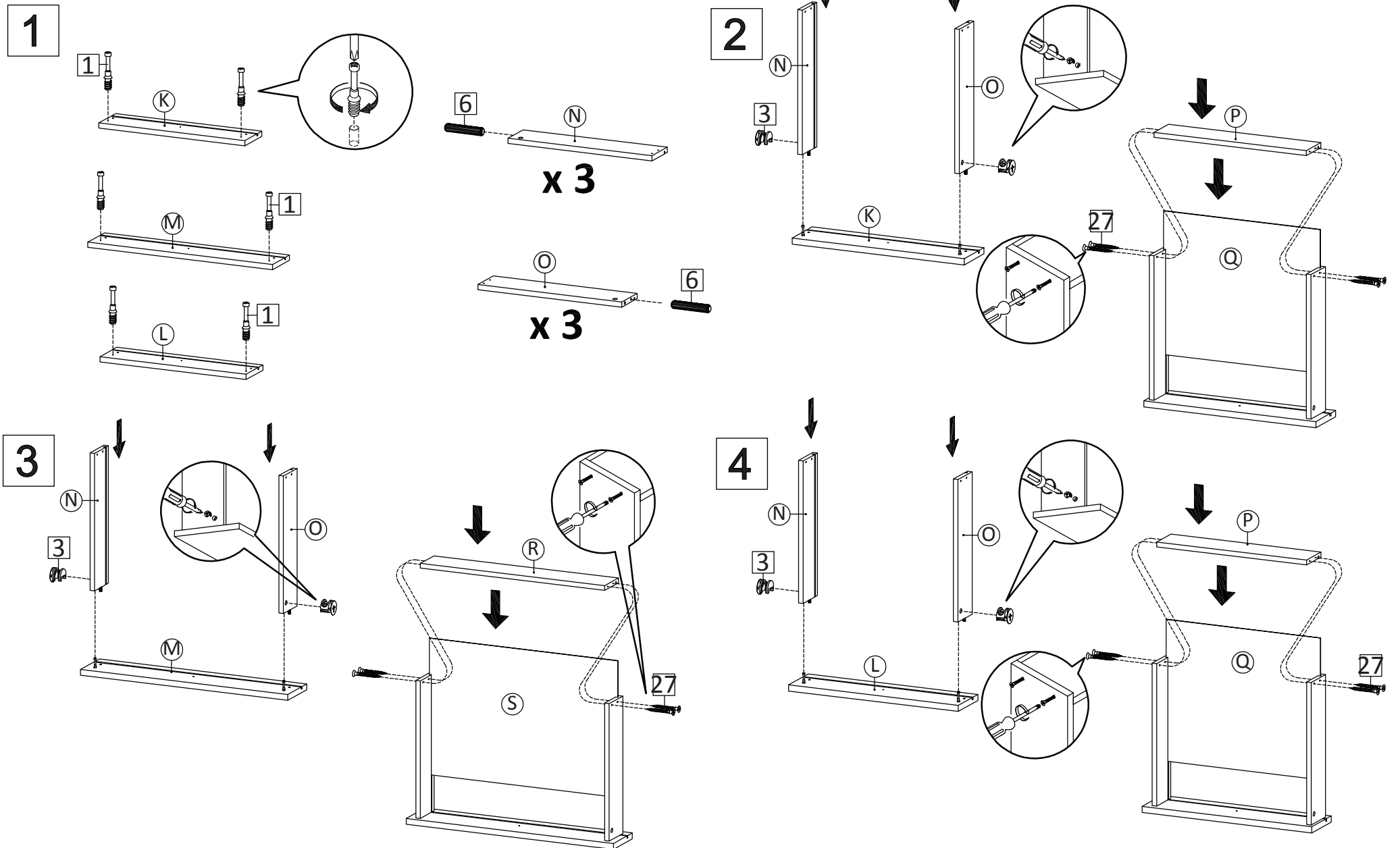
Piece	Description	Qty	Carton Call
HW1	Cambolt	28	2 of 2
HW2	CamLock Big	22	2 of 2
HW3	CamLock Small	6	2 of 2
HW4	Dowel Big	4	2 of 2
HW5	Dowel Middle	26	2 of 2
HW6	Dowel Small	6	2 of 2
HW7	Screw M 7 x 50 mm	8	2 of 2
HW8	Allen Key	1	2 of 2
HW9	Pin Sliding Top	4	2 of 2
HW10	Pin Sliding Bottom	4	2 of 2
HW11	Wedge	12	2 of 2
HW12	Screw M 3.5 x 15.5 mm	12	2 of 2
HW13	Nut	4	2 of 2
HW14	Ring	4	2 of 2
HW15	Key	1	2 of 2
HW16	Corner Brace	4	2 of 2
HW17	Screw M 4 x 16 mm	24	2 of 2
HW18	Iron	1	1 of 2
HW19	Screw M 6 x 10.5 mm	26	2 of 2
HW20	Raill	3	2 of 2
HW21	Screw M 3.5 x 13 mm	18	2 of 2
HW22	Handle	3	2 of 2
HW23	Screw M 4 x 22 mm	3	2 of 2
HW24	Bumper	3	2 of 2
HW25	Screw Cup Short	4	2 of 2
HW26	Screw Cup Long	2	2 of 2
HW27	Screw M 8 x 39 mm	12	2 of 2

PREPARATION

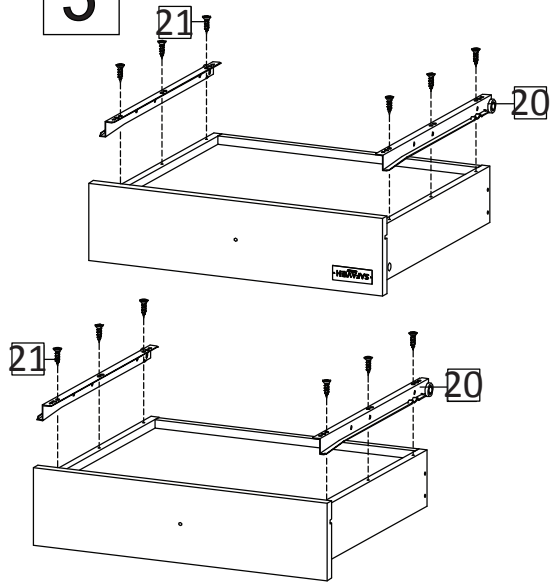
Before beginning assembly of product, make sure all parts are present. Compare parts with package contents list and hardware contents list.

If any part is missing or damaged, do not attempt to assemble the product.

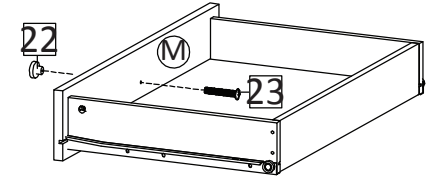
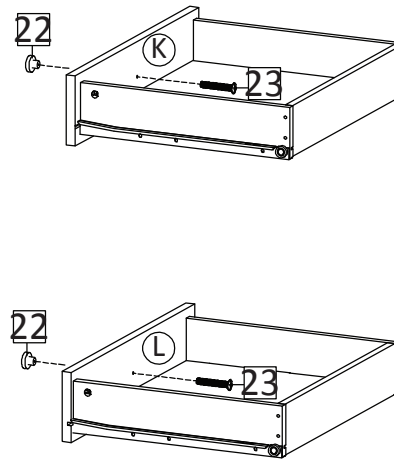
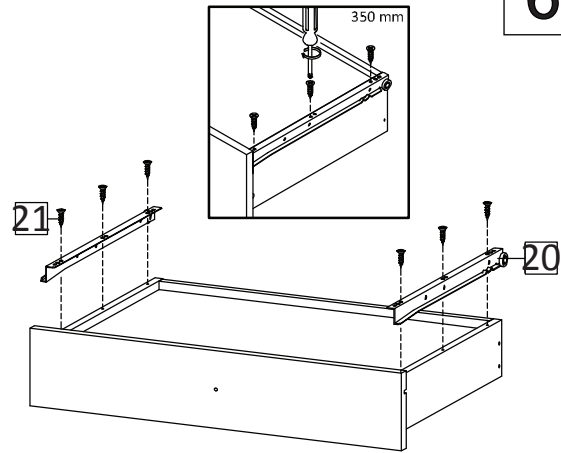
Estimated Assembly Time: 60 minutes.



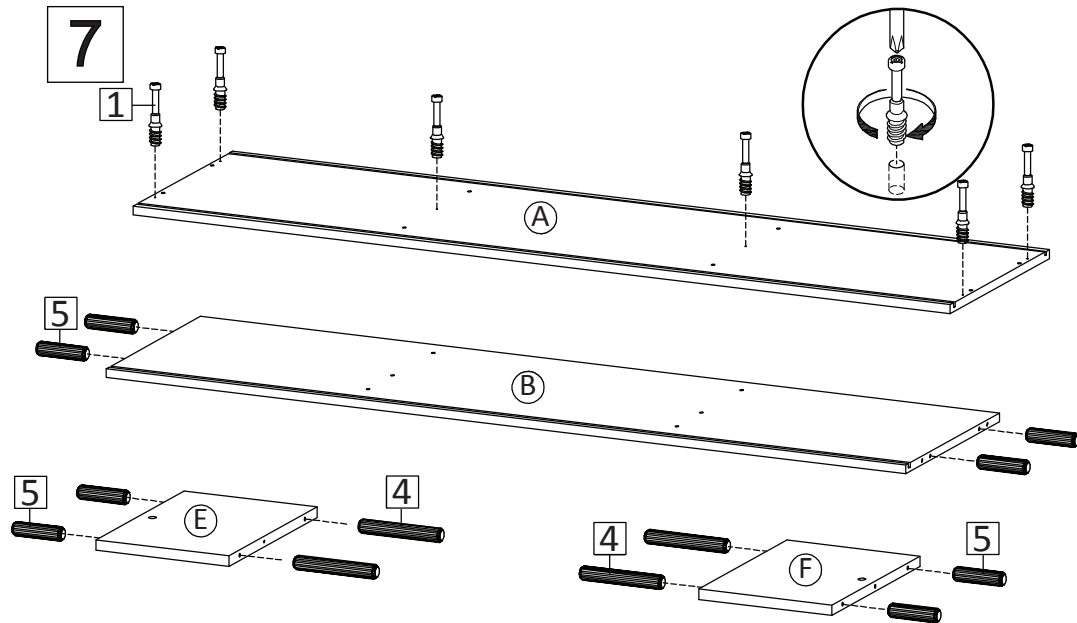
5



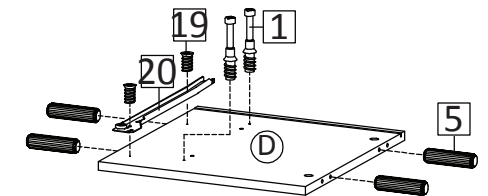
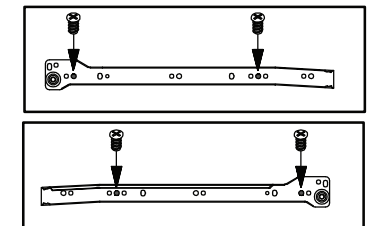
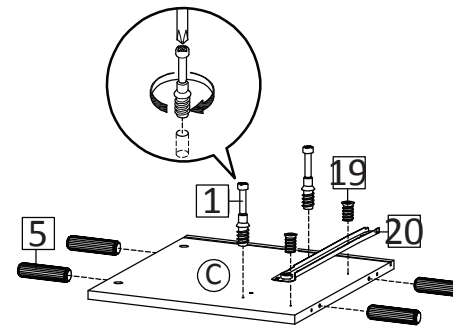
6



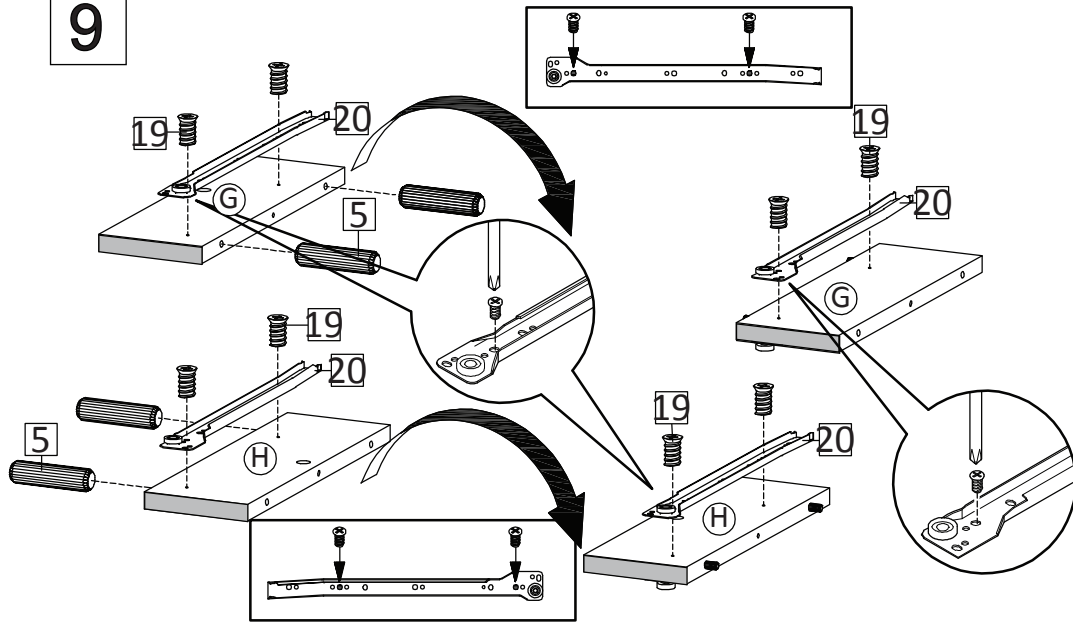
7



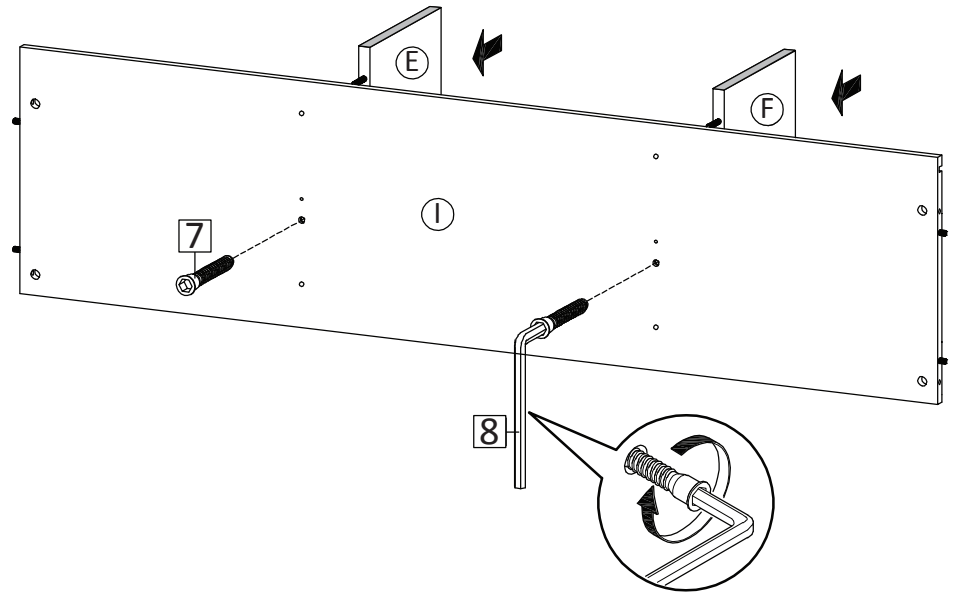
8



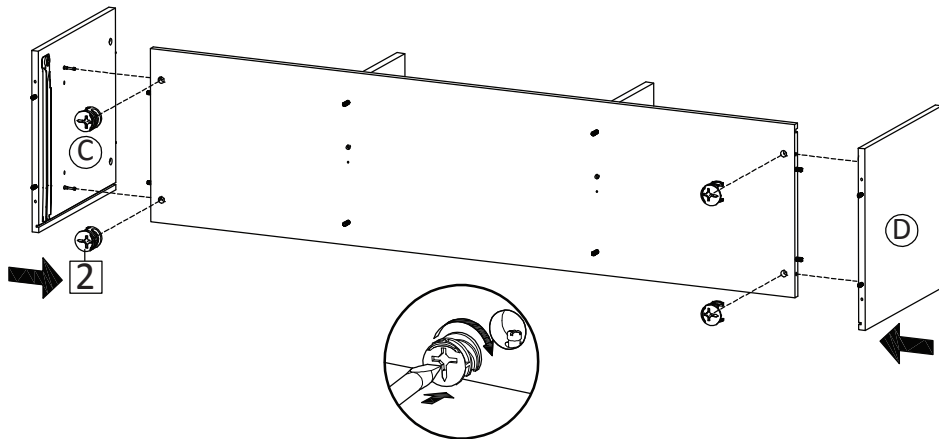
9



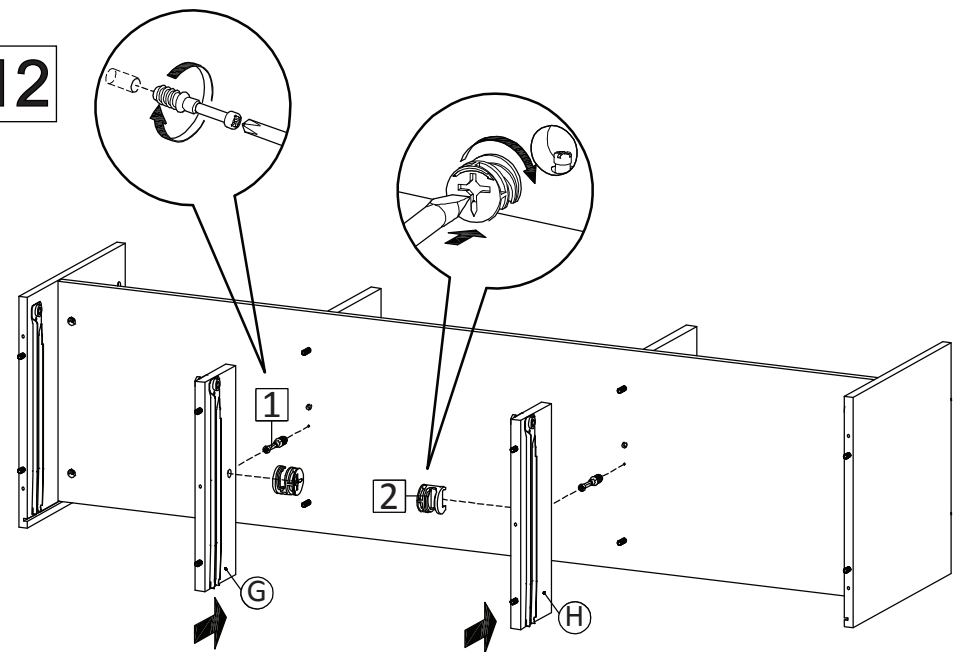
10



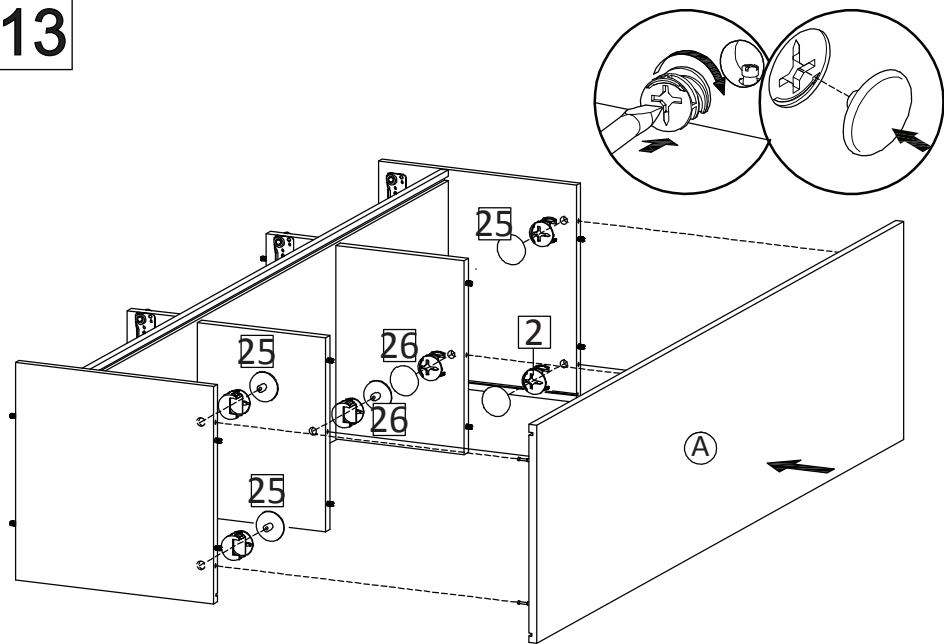
11



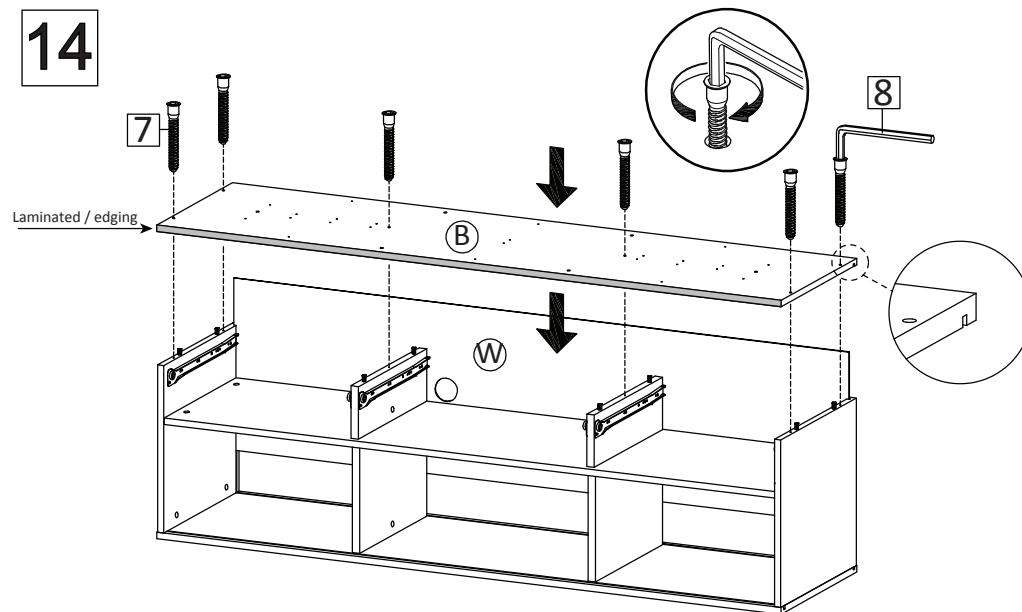
12



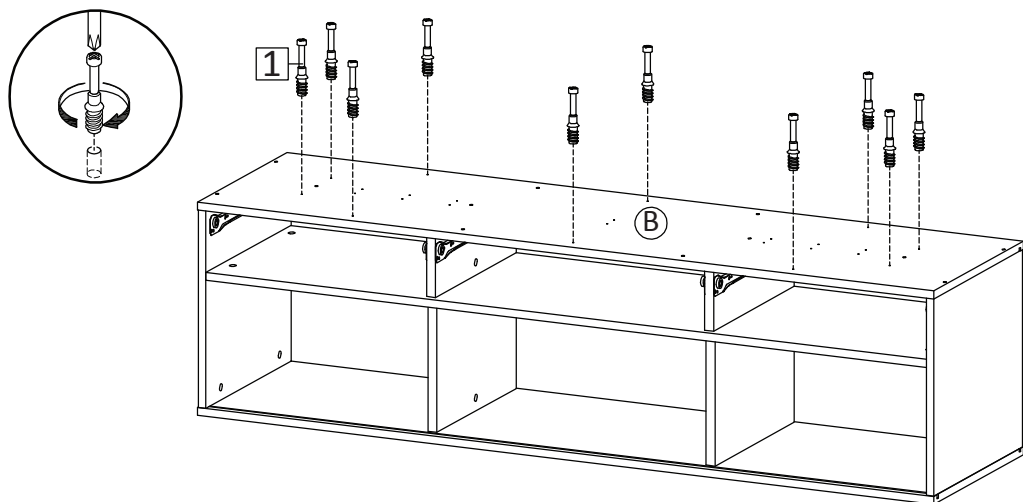
13



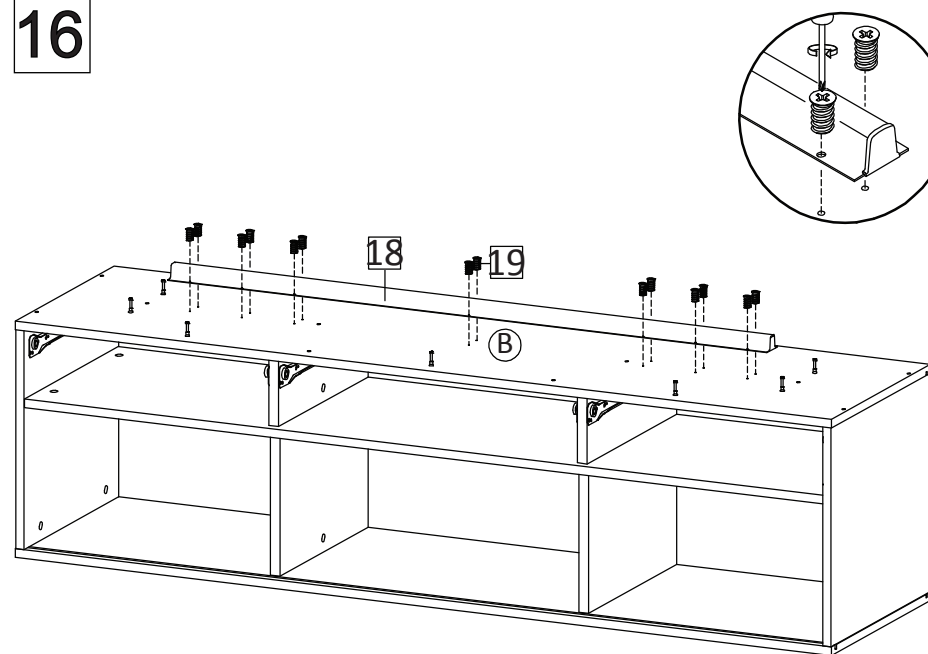
14



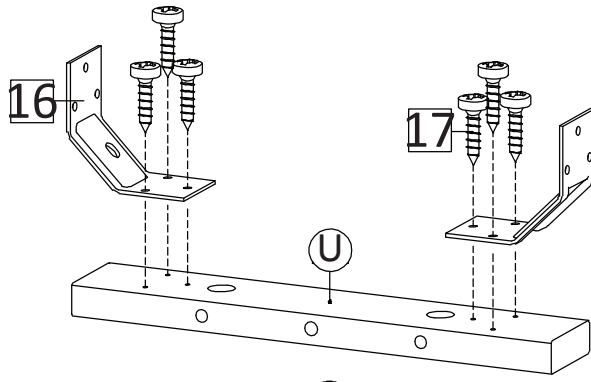
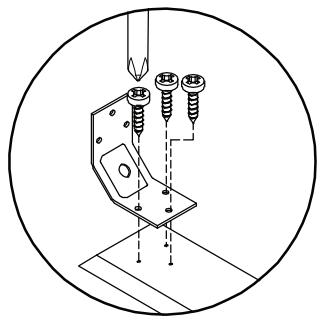
15



16

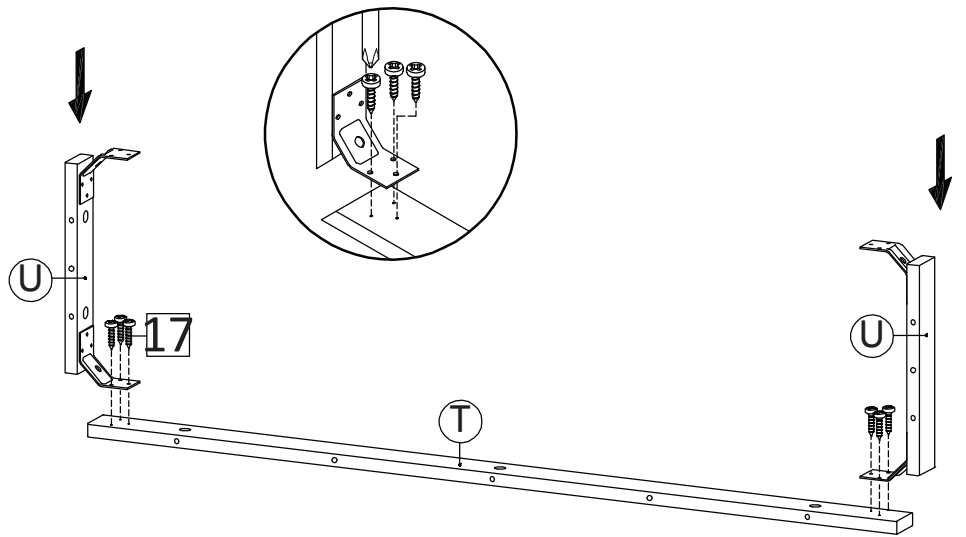


17

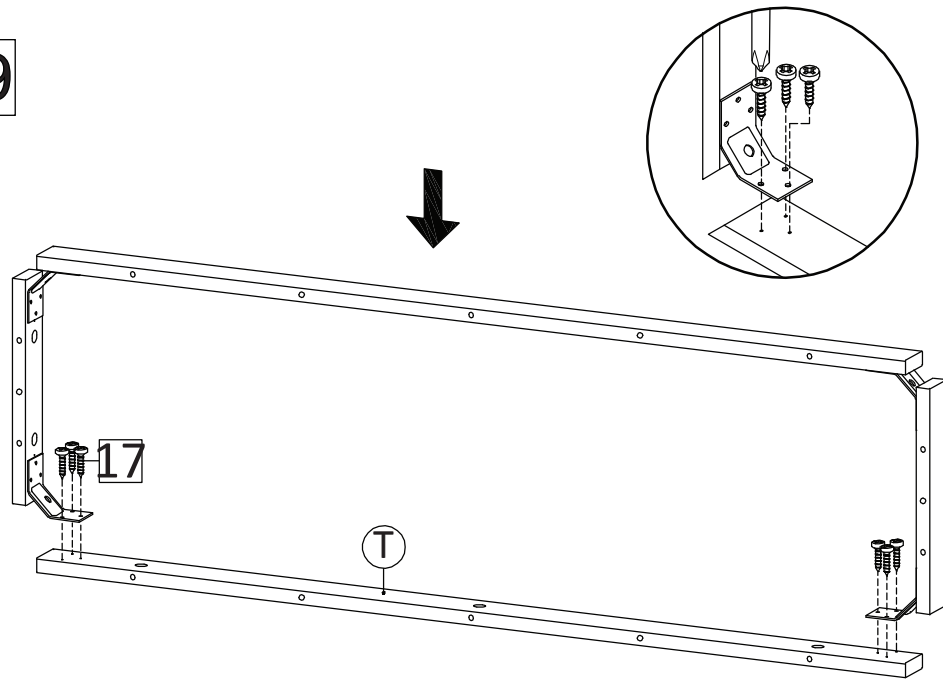


x 2

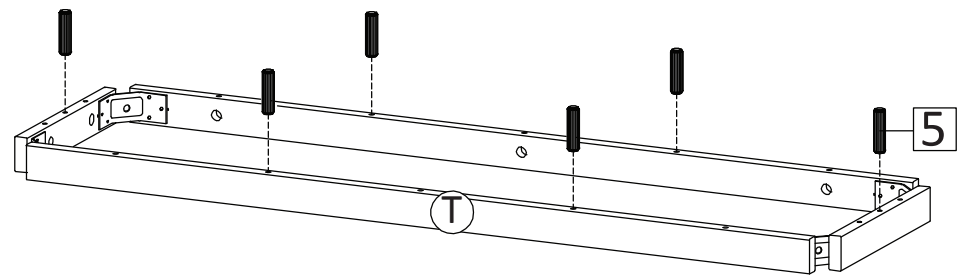
18



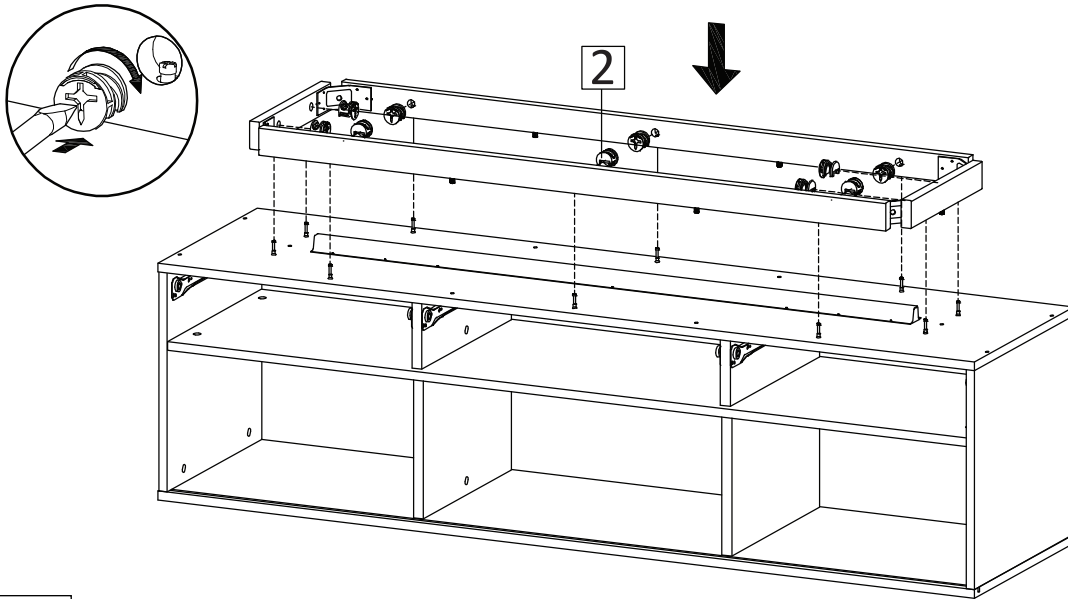
19



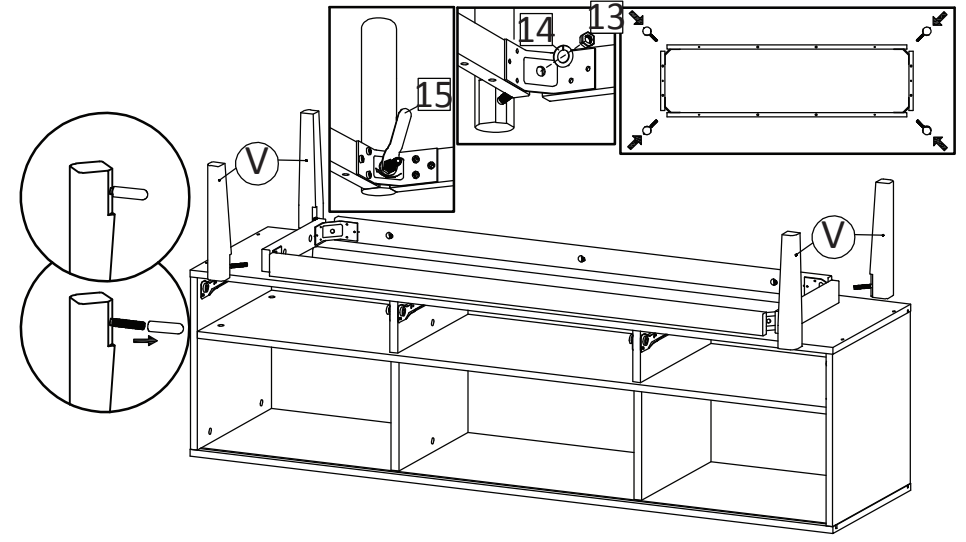
20



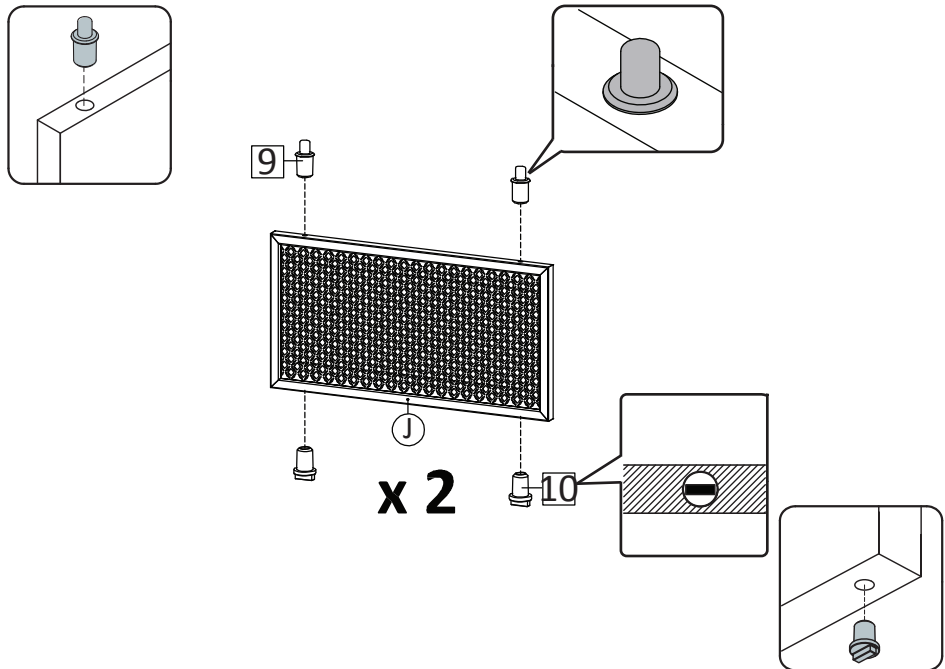
21



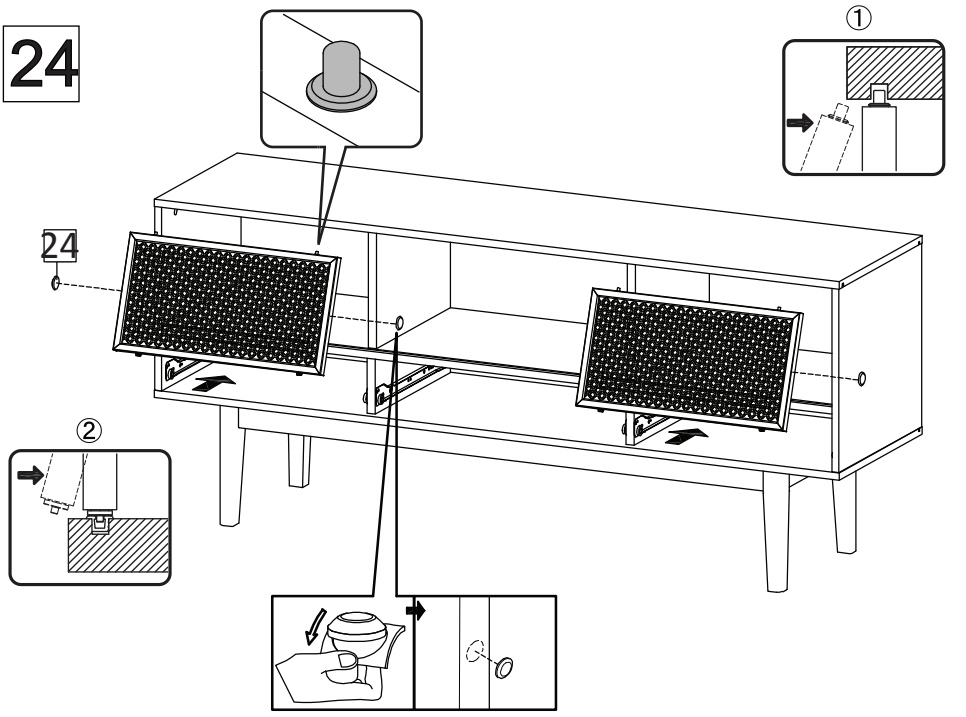
22



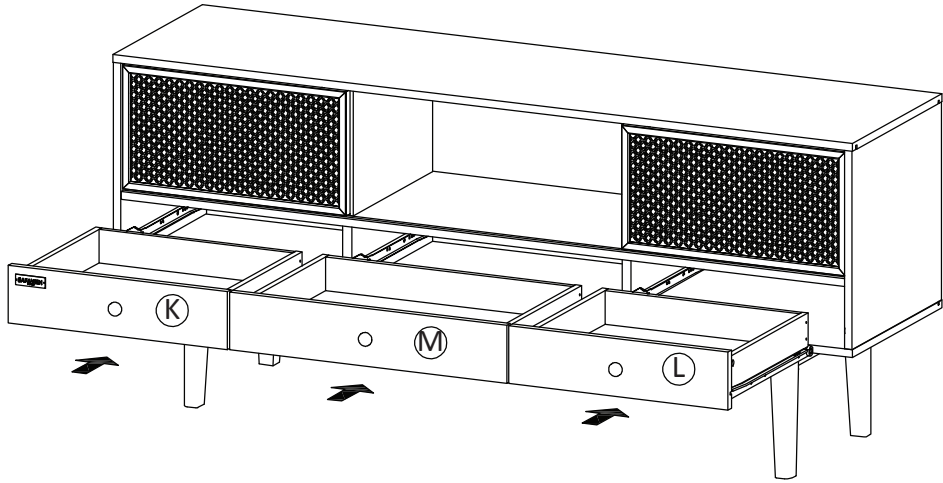
23



24



25



26

