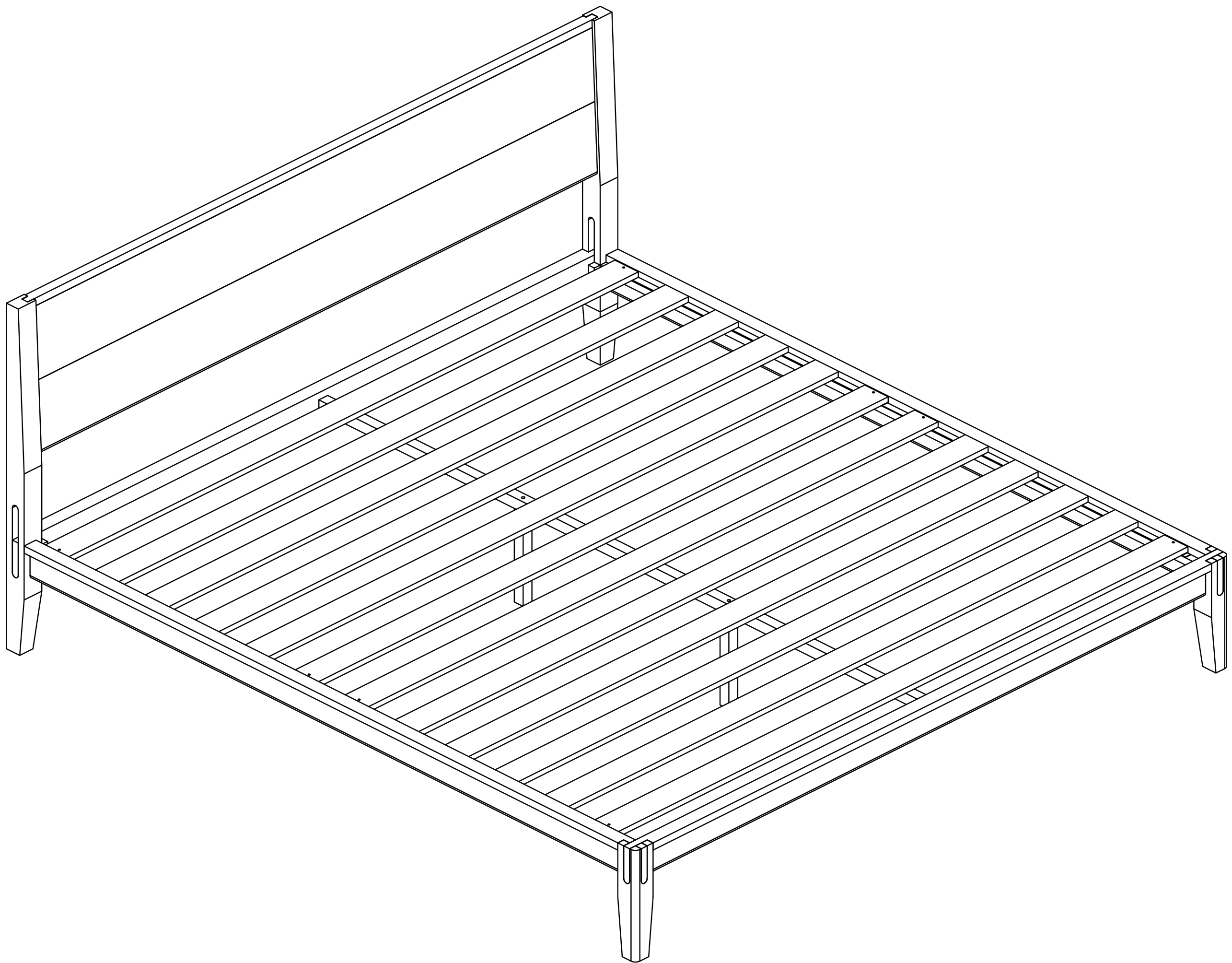


Product Manual

Bed Frame



(Full/Queen Size)

Contents

Before Use

Product Overview	03
General Guidelines	03
Warning	03
Materials	03

Installation Guide

Assembly Instructions	04
Parts List	05
Hardware List	06
Exploded Views	07
Installation Steps	08

Operation

Use and Maintenance	15
The Bamboo bed frame : Natural Adaptation	16
Daily Care	16
Trouble Shooting	17
Assembly & Warranty	17

Product Overview

Introducing the ideal platform bed frame—meticulously crafted and offered in versatile designs to enhance your bedroom. Designed for effortless, easy assembly, it includes a sleek low-profile frame and reinforced cushion-Poplar bed slats for superior support. (Mattress not included.)

General Guidelines

- Please read the following instructions carefully and use the product accordingly.
- Please keep this manual and hand it over when you transfer the product.
- Product is intended for indoor use only. It must be assembled and used according to the instructions. The seller does not accept any responsibility for damage or injury resulting from improper assembly or use.
- This manual may not cover all possible variations or detailed steps.
- Please contact us when further information and helps are needed.

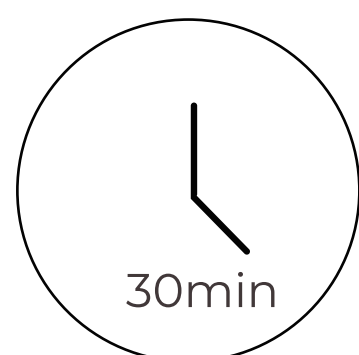
Warning

- Children are not allowed to assemble the product. During assembly, keep any small part out of reach of children as they may be fatal if swallowed or inhaled.
- Do not allow children to play with the mechanism.
- Keep plastic packing bags out of reach of children to avoid any potential danger, such as suffocation.
- Avoid sharp objects and corrosive chemicals to prevent damage to the product or bodily injury. Improper opening could damage the mechanism or the bar.
- Do not sit violently on the edges or jump on the wood slat.

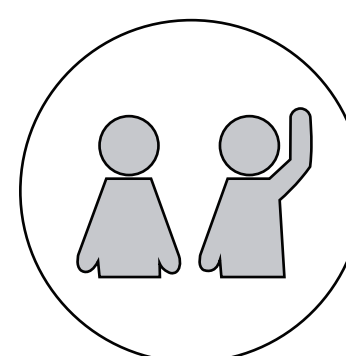
Materials

- 100% upcycled solid bamboo with natural imperfections and distinctive bamboo grains and knots. Variances in colour and grain are to be expected, and make your bed frame unique!
- Felt foot pad bottoms for floor protection and extra cushion.
- Double-strength slats lined with Velcro made from recycled plastics for durability and noise reduction.
- Slats lock into place to prevent slipping and mattress movement. Spaced for optimum mattress support and breathability.
- Four hand-tightened screws.
- Exterior of the Classic Headboard can rest flush against a wall while the interior features a slight angle ergonomic design for comfort.

Assembly Instructions



TIME

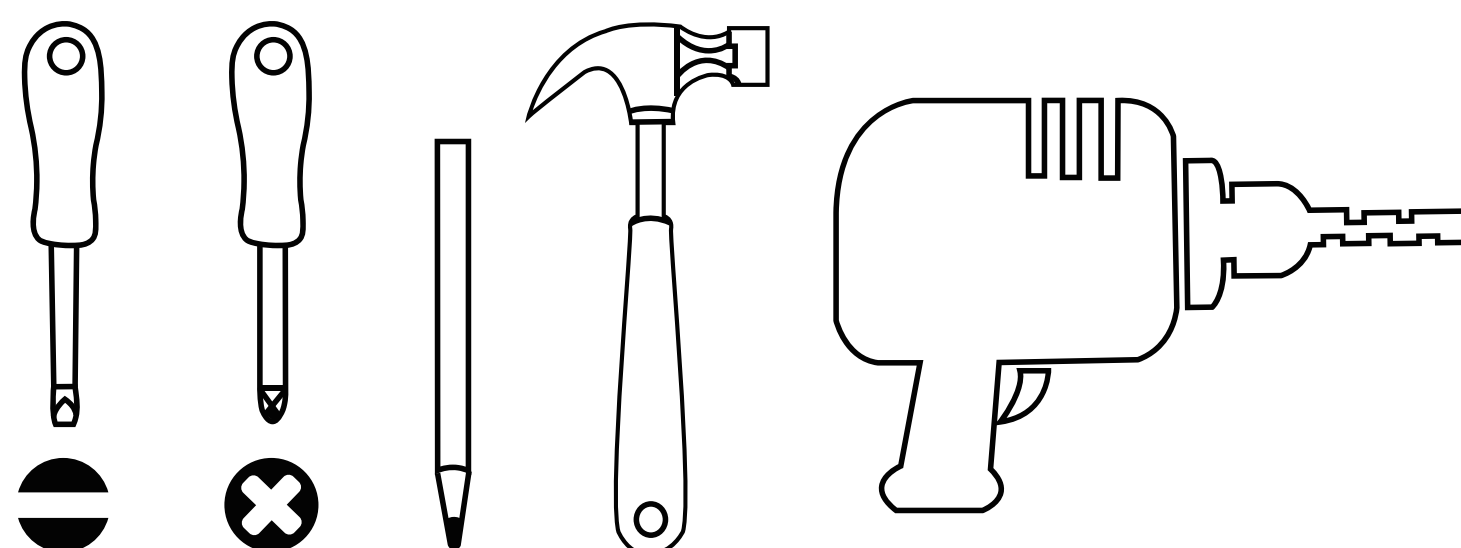


2 People

- Read these instructions carefully and keep for future reference. Refer to parts inventory for guidance, and ensure you have all pieces before starting.
- When assembling place all parts on a soft, clean, and flat surface, such as a carpet to prevent scratches.
- During assembly, align all screws with the corresponding pre - drilled holes first and then tighten them one by one.

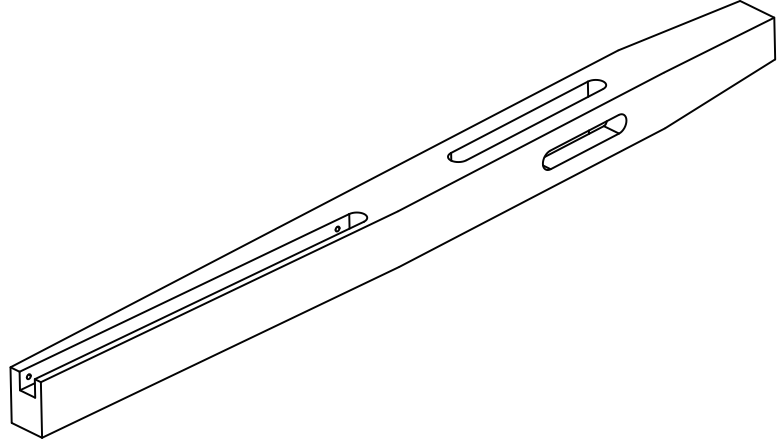
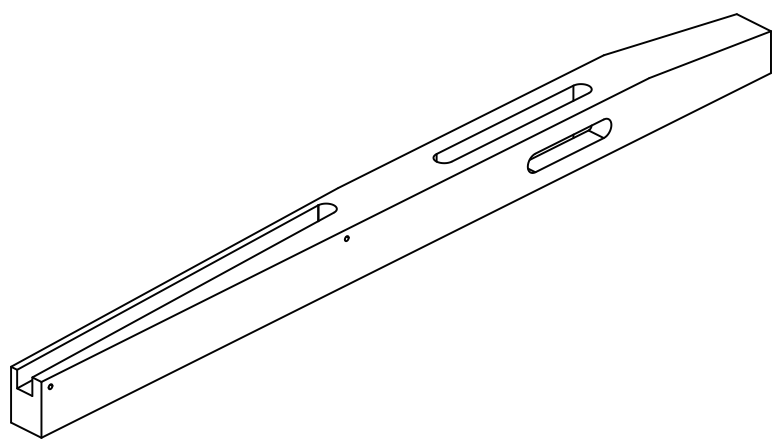
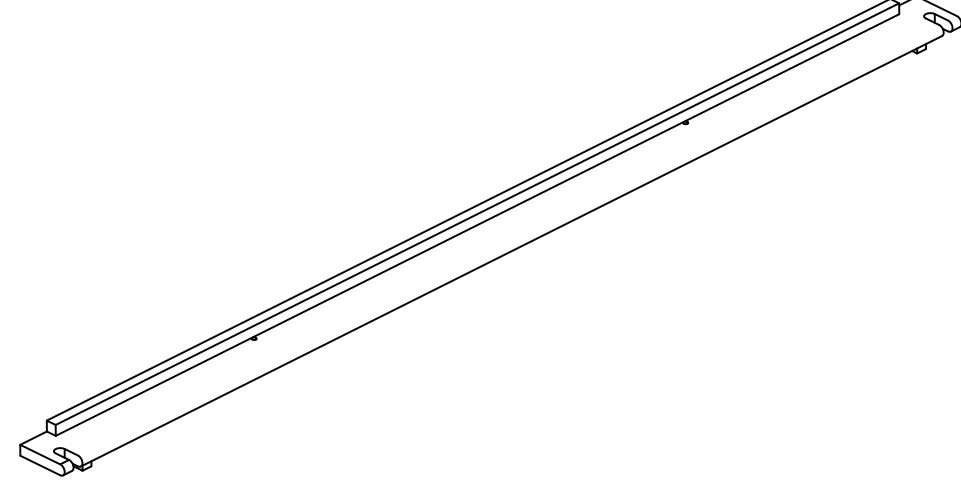
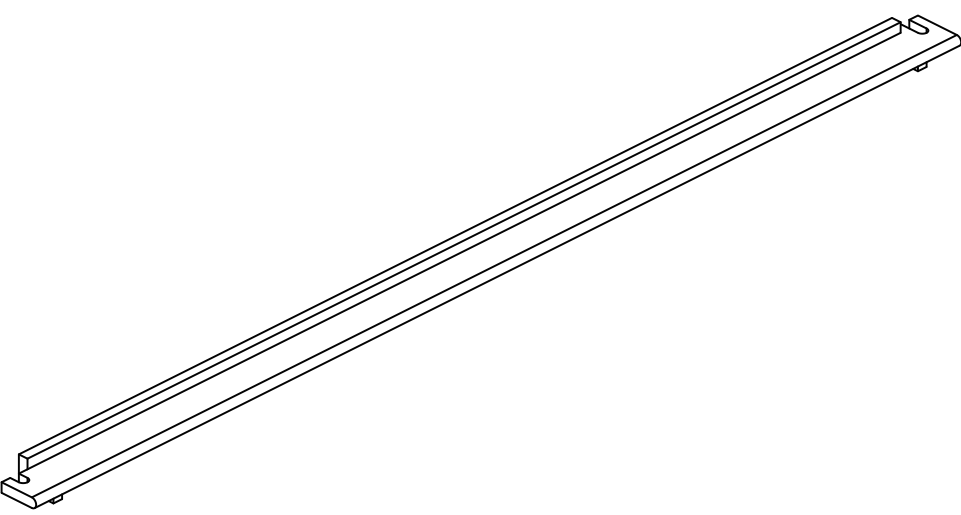
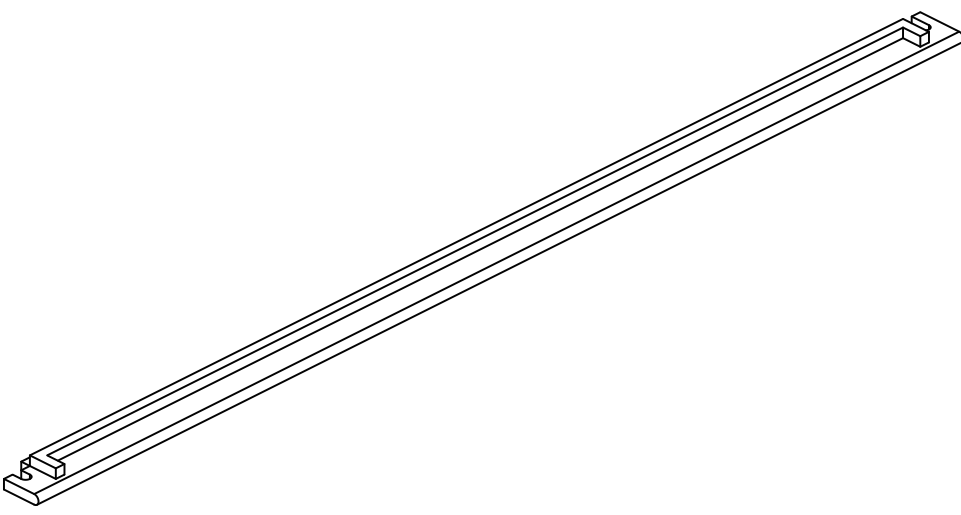
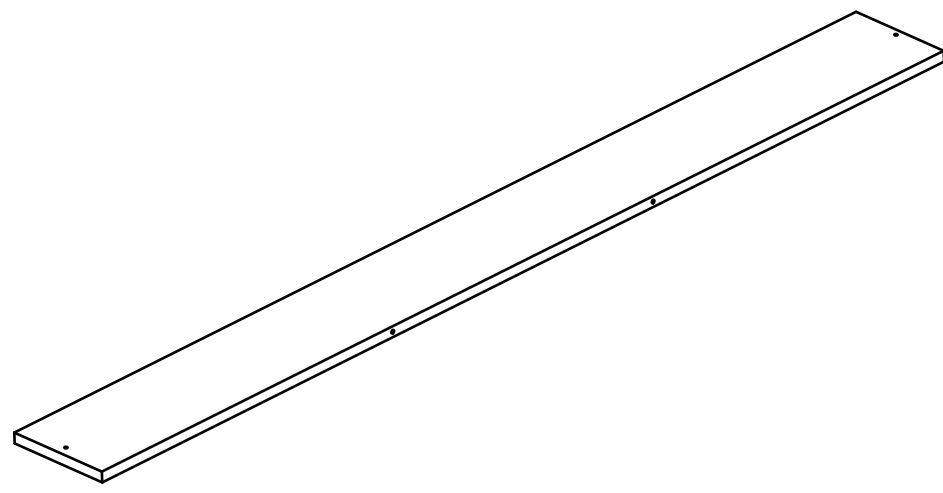
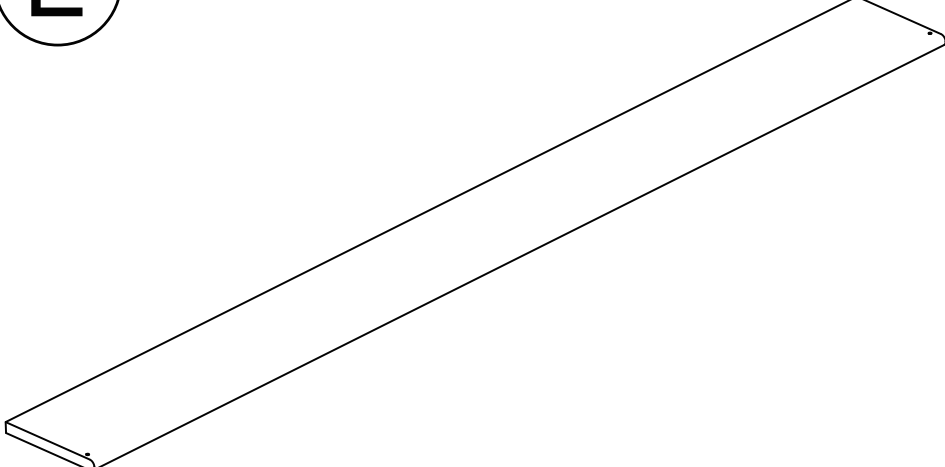
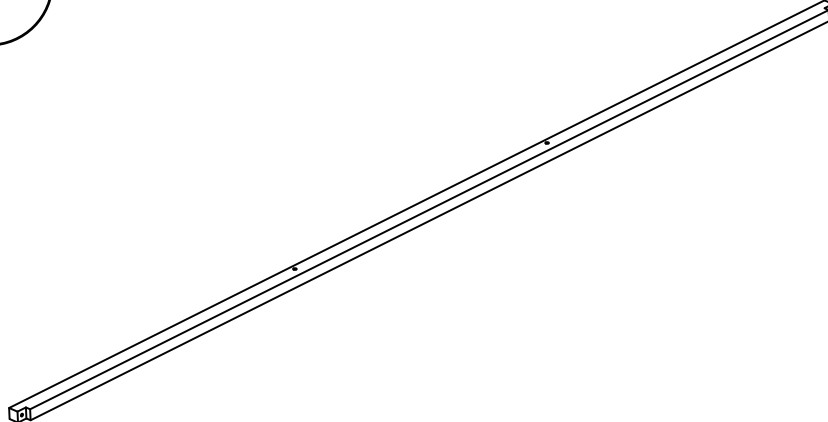
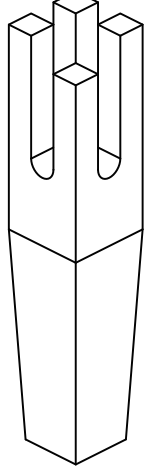
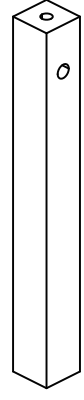
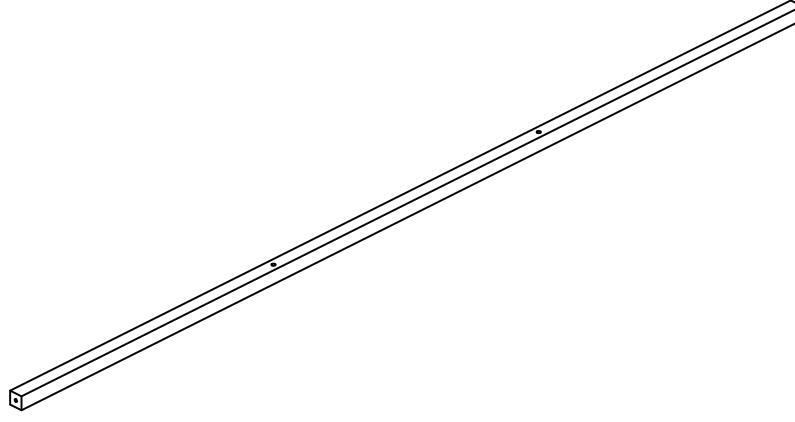
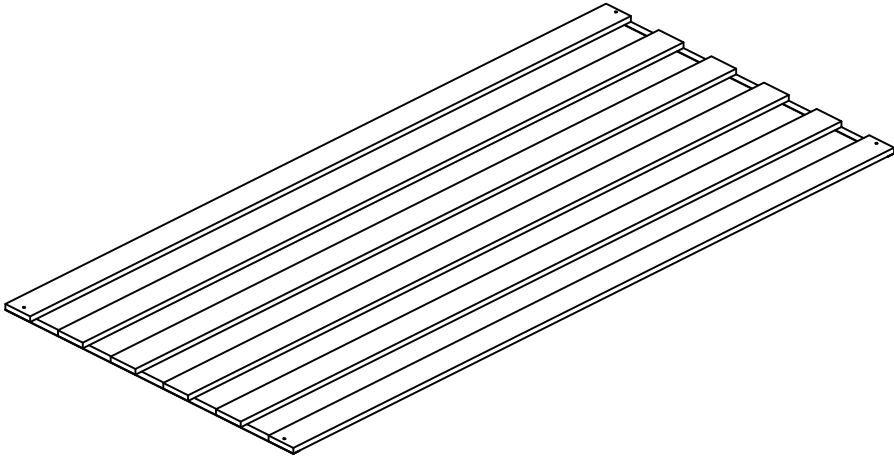
Do not discard any contents until after assembly is complete to avoid accidentally discarding small parts or hardware.

TOOLS YOU MAY NEED

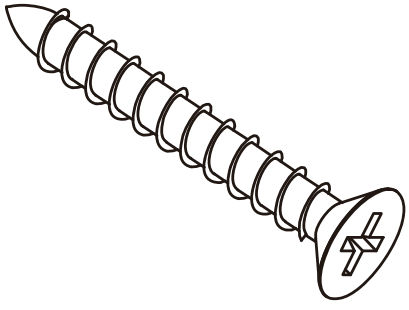
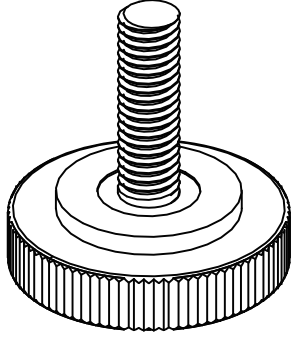
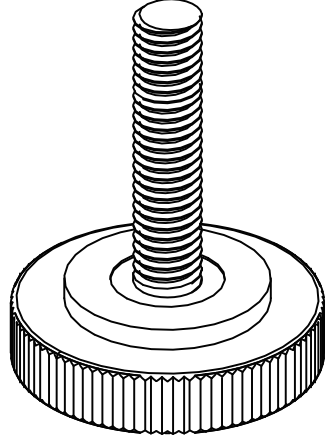
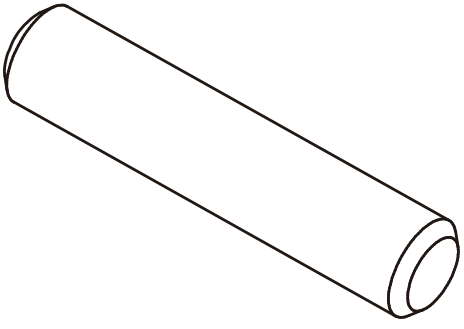
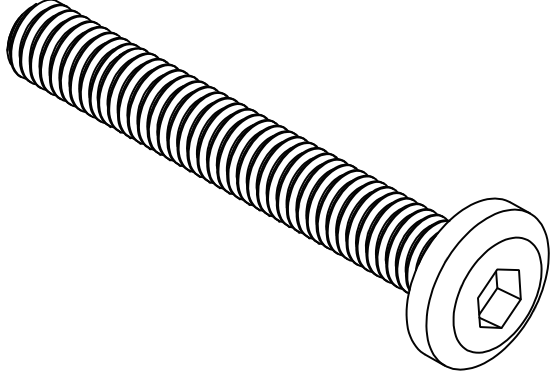
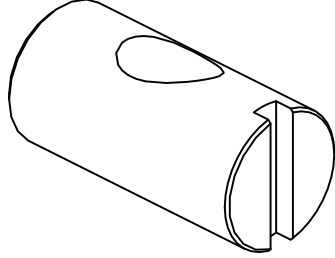
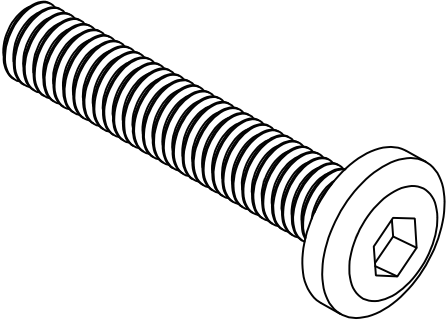
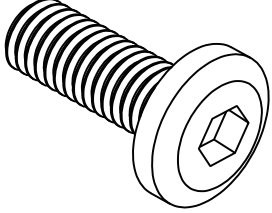

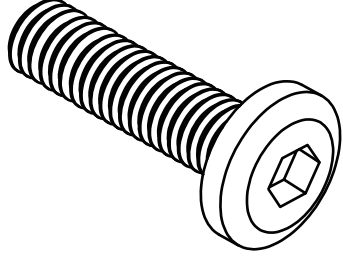


Note: It is recommended that installation of the product be done by a qualified licensed furniture assembler.

Parts List

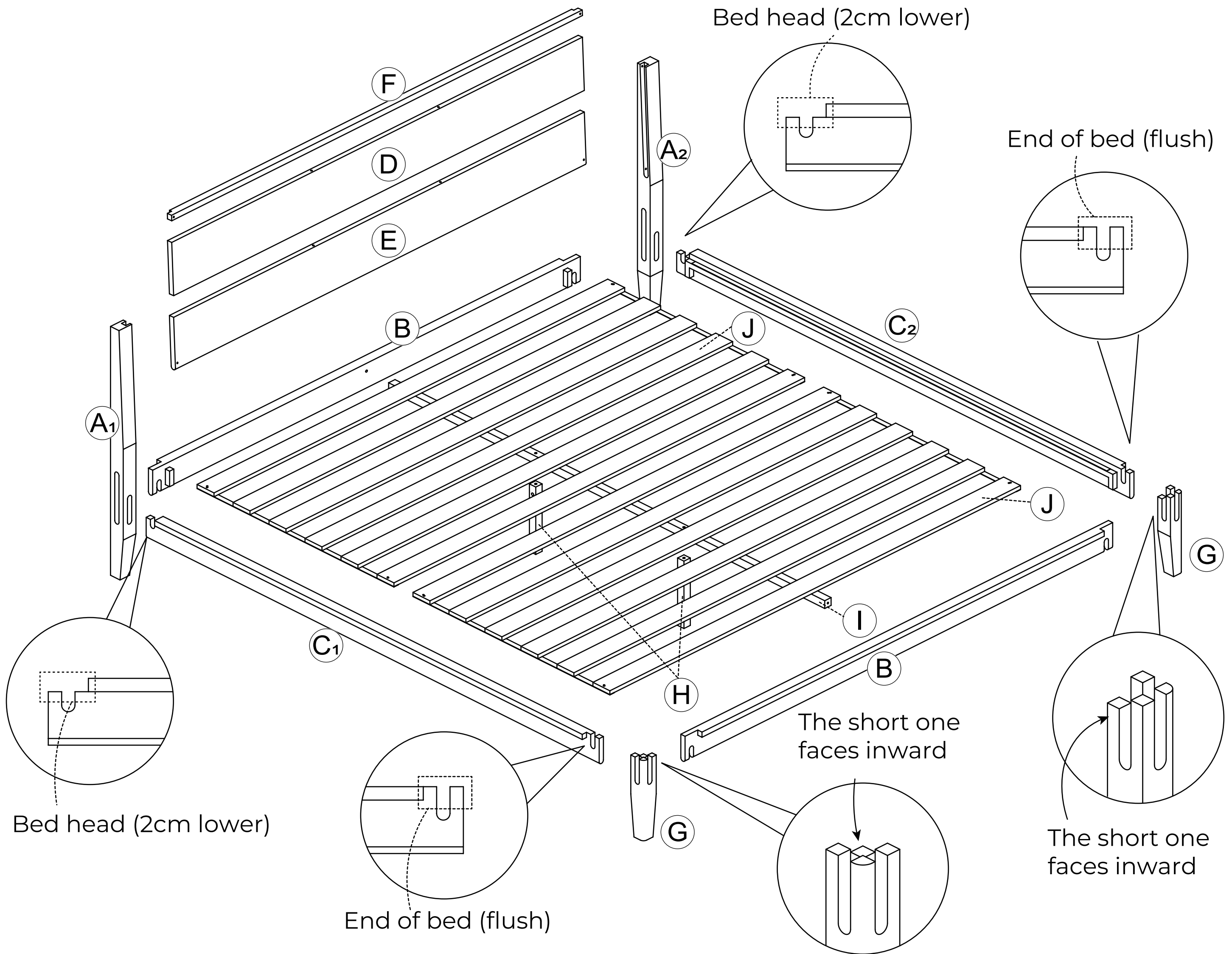
<p>A1</p>  <p>1PCS</p>	<p>A2</p>  <p>1PCS</p>	<p>B</p>  <p>2PCS</p>
<p>C1</p>  <p>1PCS</p>	<p>C2</p>  <p>1PCS</p>	<p>D</p>  <p>1PCS</p>
<p>E</p>  <p>1PCS</p>	<p>F</p>  <p>1PCS</p>	<p>G</p>  <p>2PCS</p>
<p>H</p>  <p>2PCS</p>	<p>I</p>  <p>1PCS</p>	<p>J</p>  <p>2PCS</p>

Hardware List

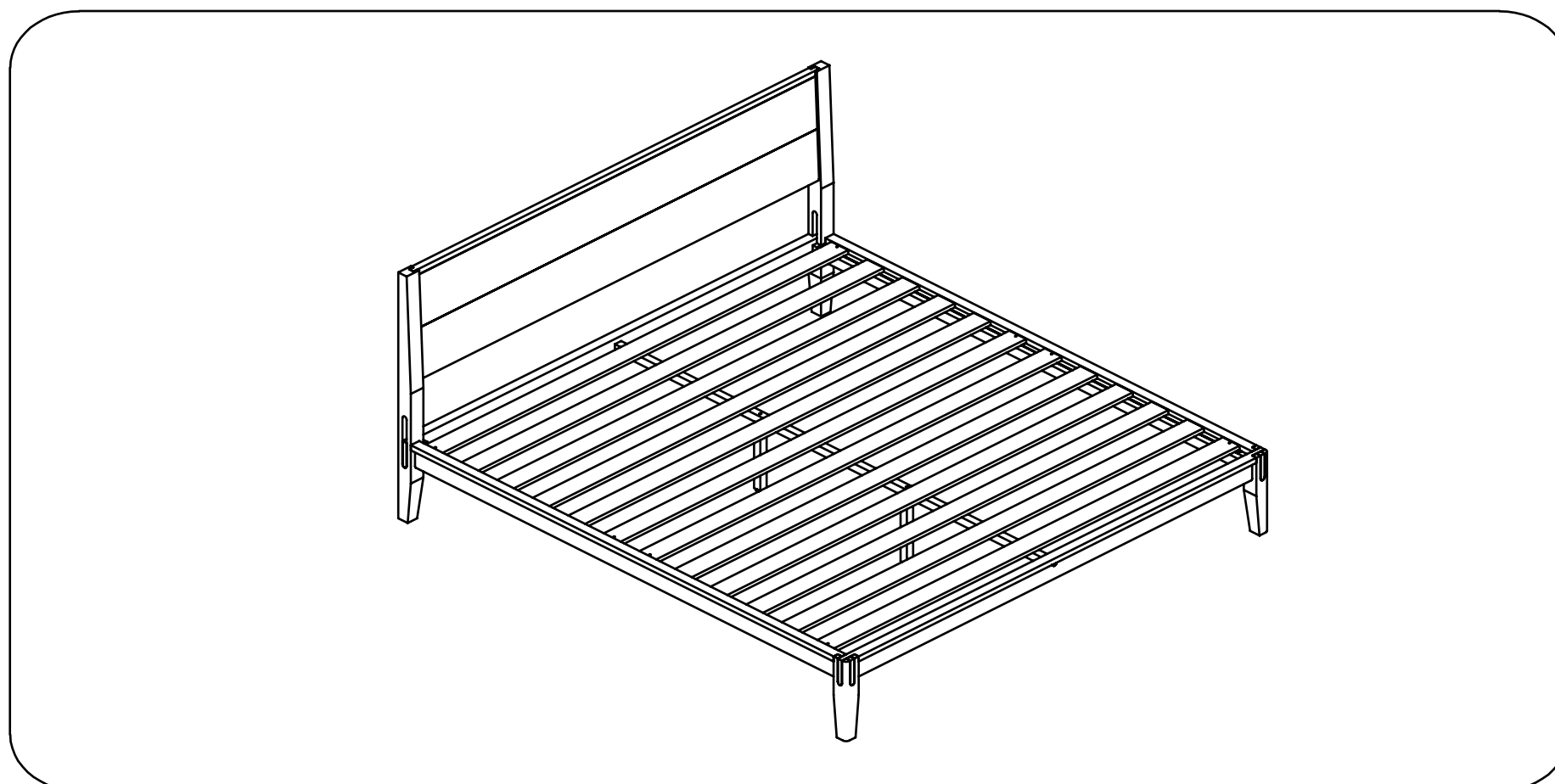
<p>1</p>  <p>M4*25 8+1PCS</p>	<p>2</p>  <p>M6*20 2PCS</p>	<p>3</p>  <p>M6*30 2PCS</p>
<p>4</p>  <p>M8*40 4PCS</p>	<p>5</p>  <p>M6*60 2PCS</p>	<p>6</p>  <p>2PCS</p>
<p>7</p>  <p>M6*40 2PCS</p>	<p>8</p>  <p>M6*20 2PCS</p>	<p>9</p>  <p>1PCS</p>
<p>10</p>  <p>M6*25 2PCS</p>		

Exploded Views

EXPLODED

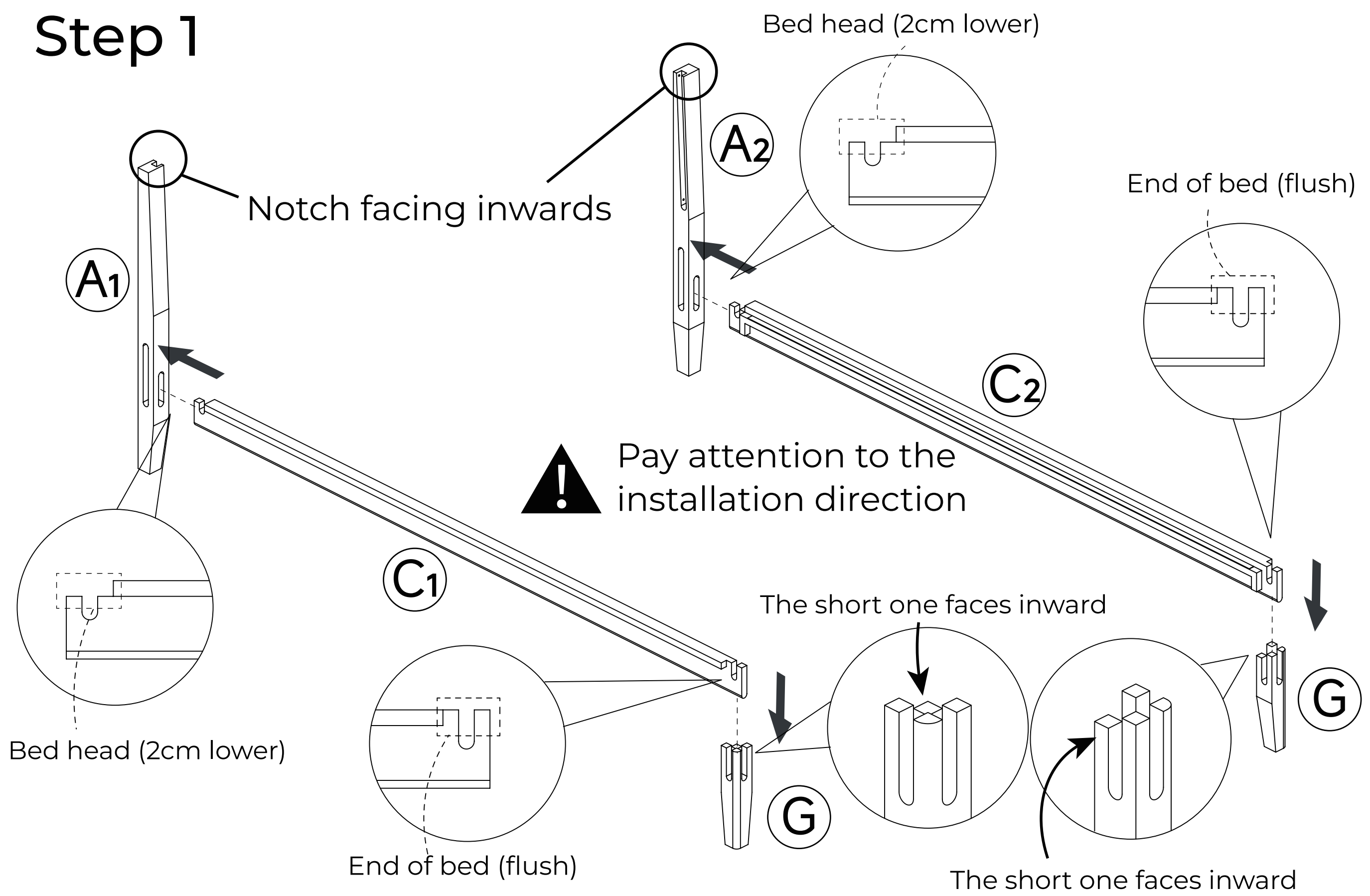


COMPLETE

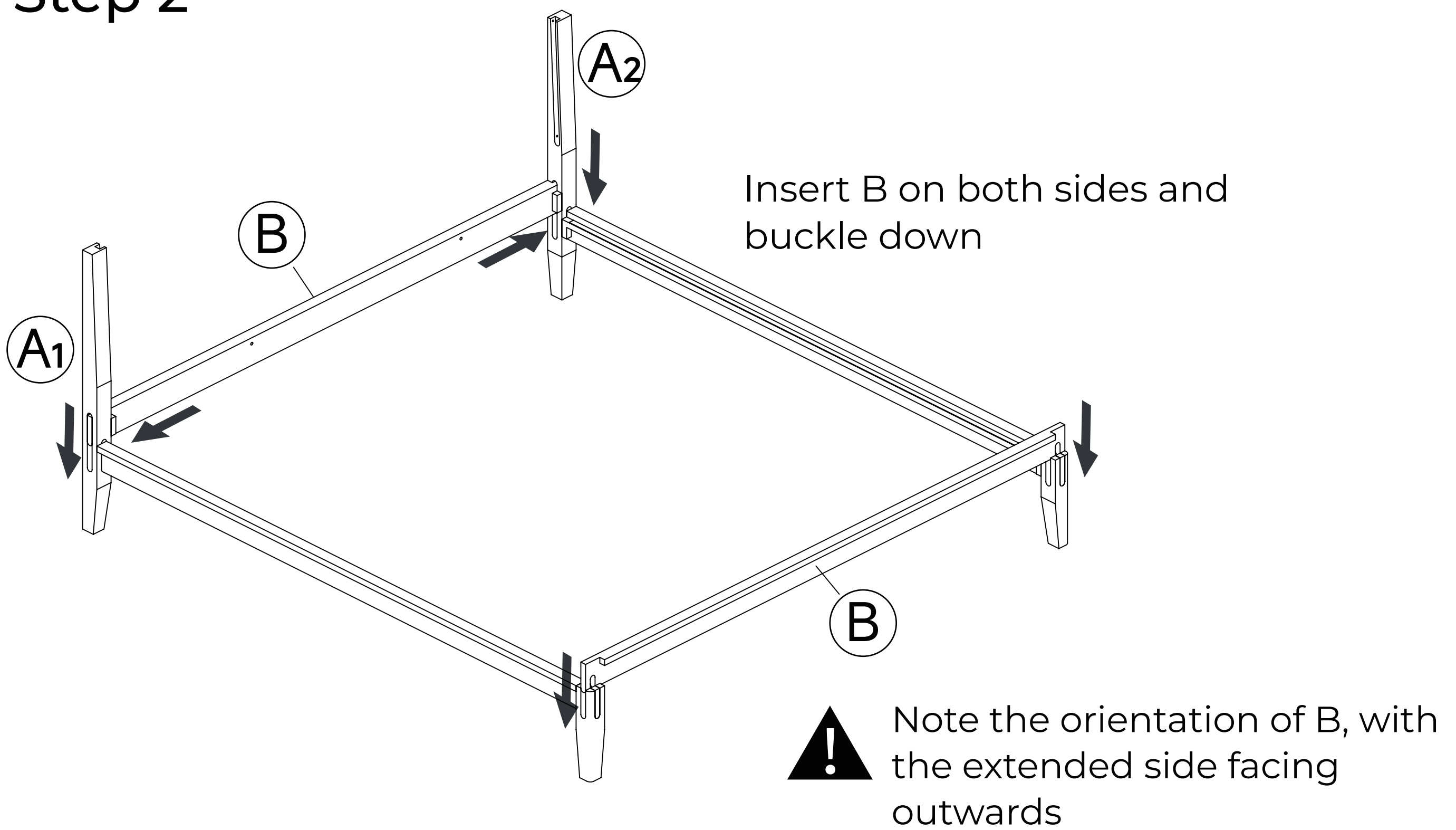


Installation Steps

Step 1



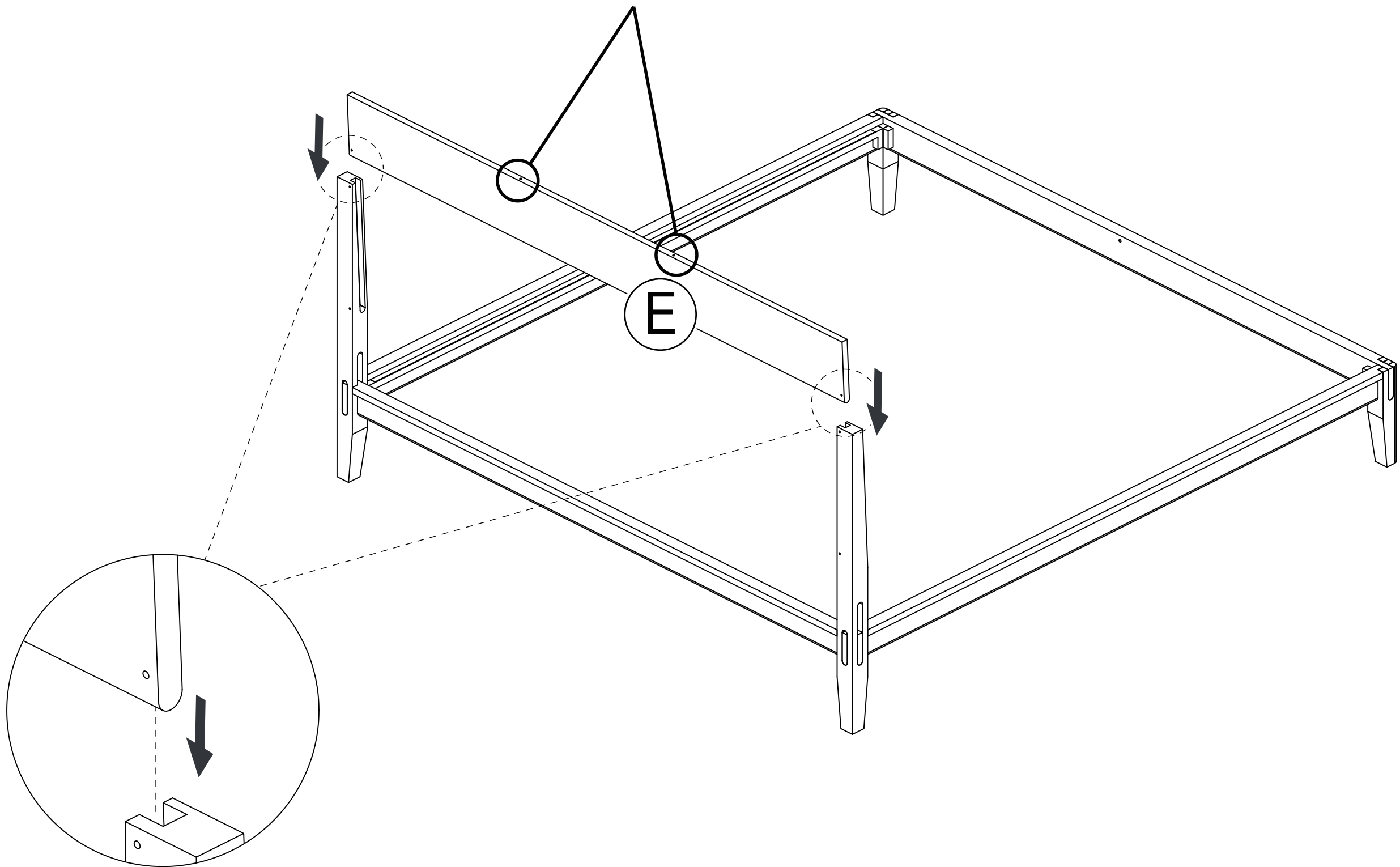
Step 2



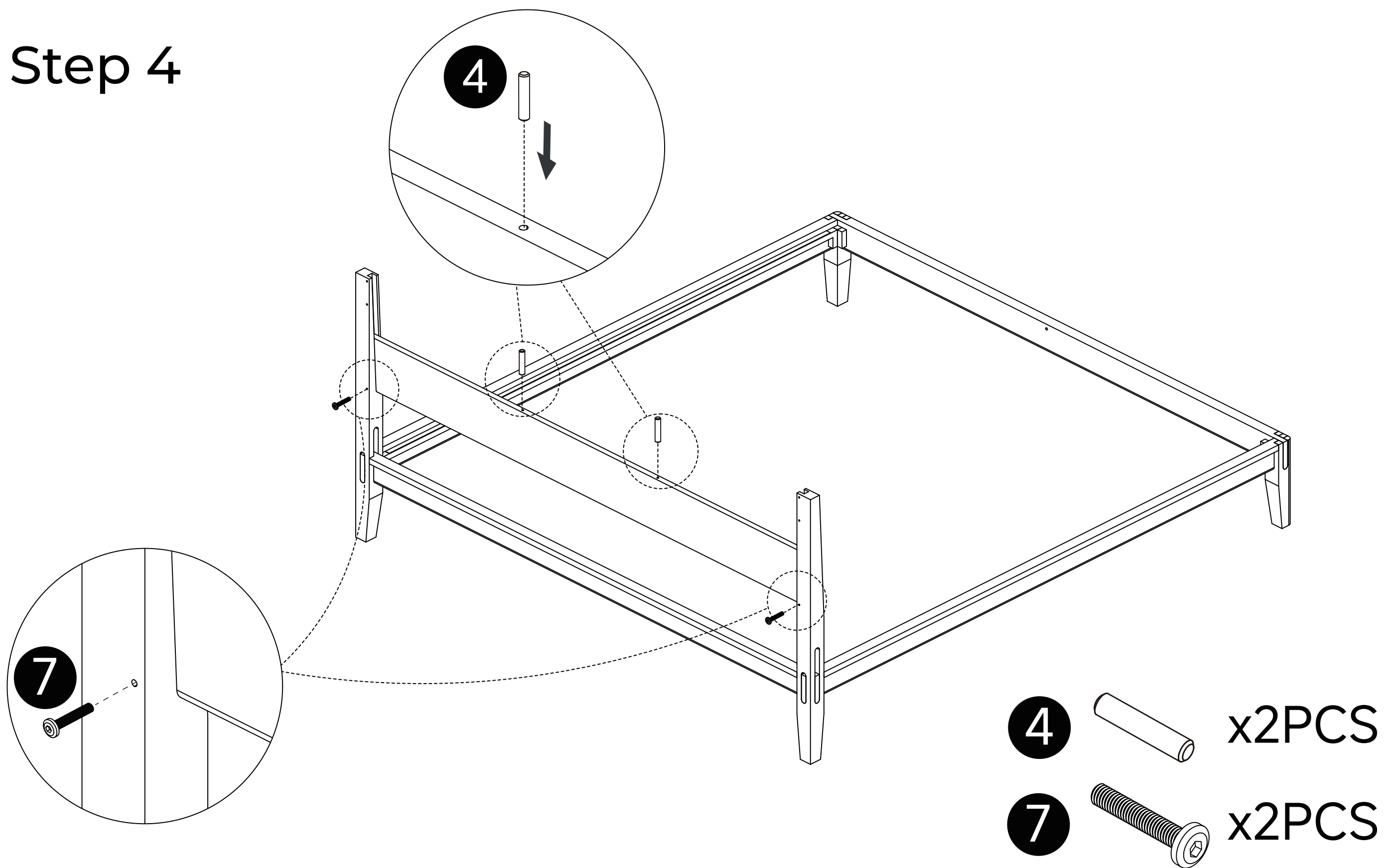
Installation Steps

Step 3

The one with holes on top

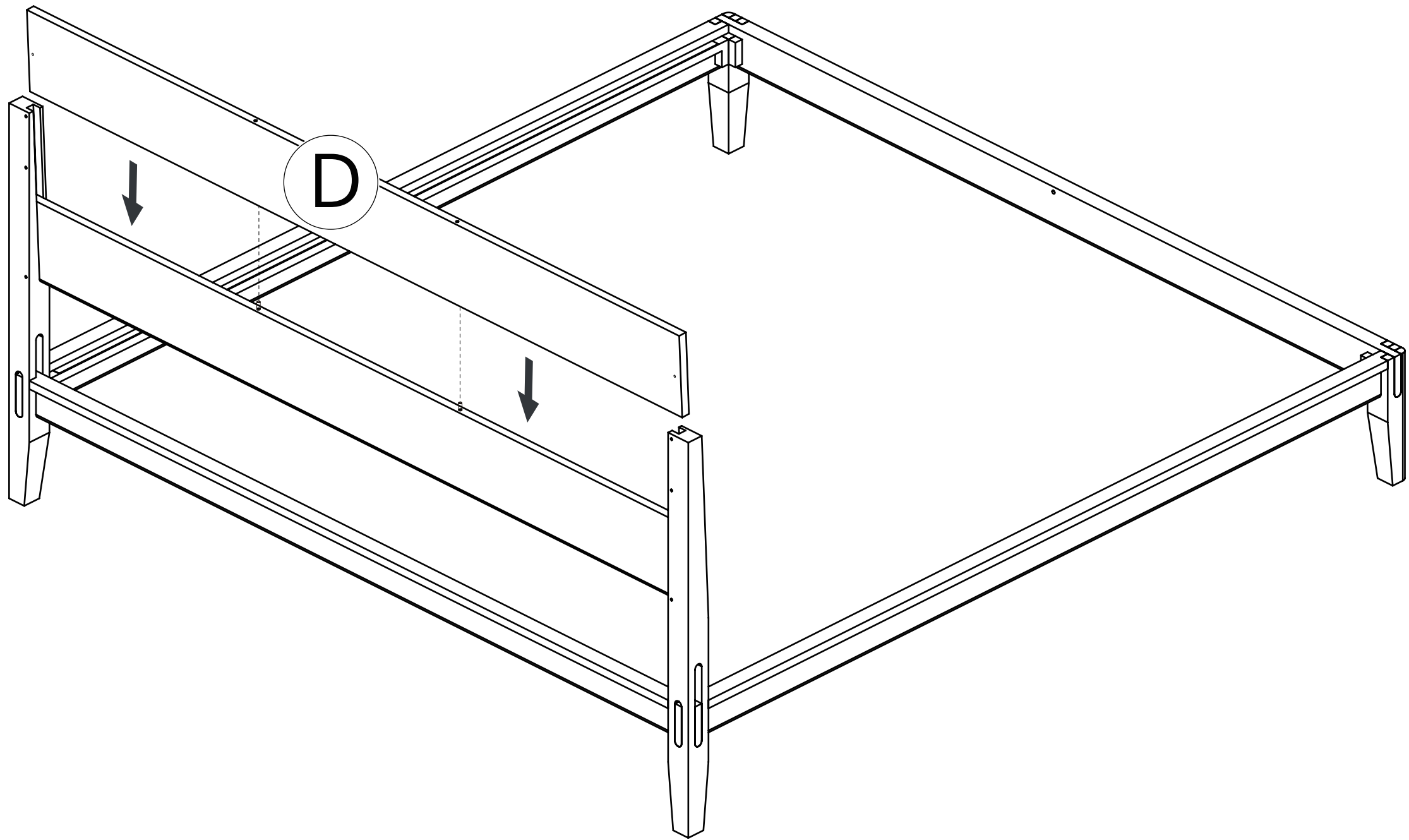


Step 4

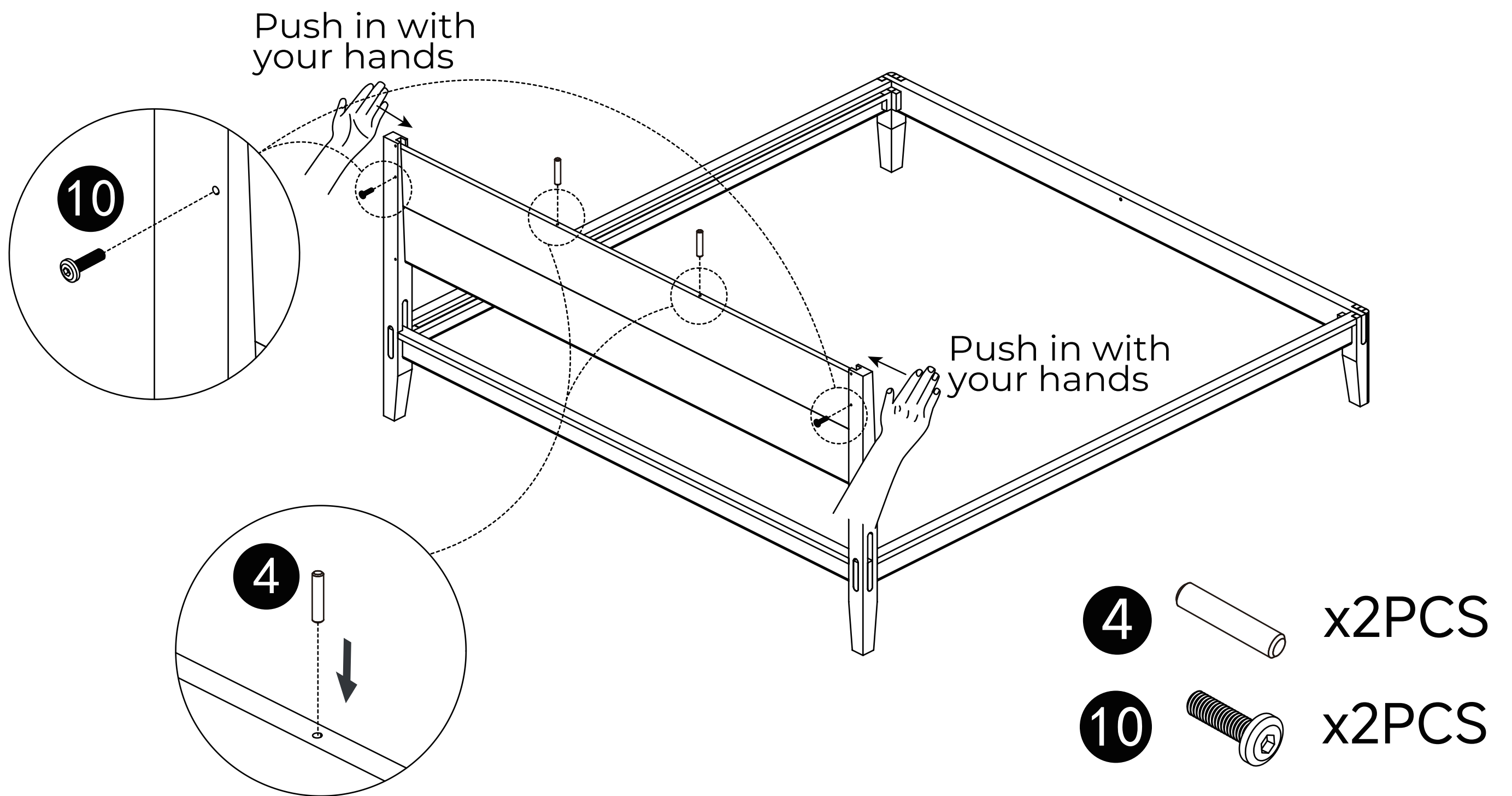


Installation Steps

Step 5

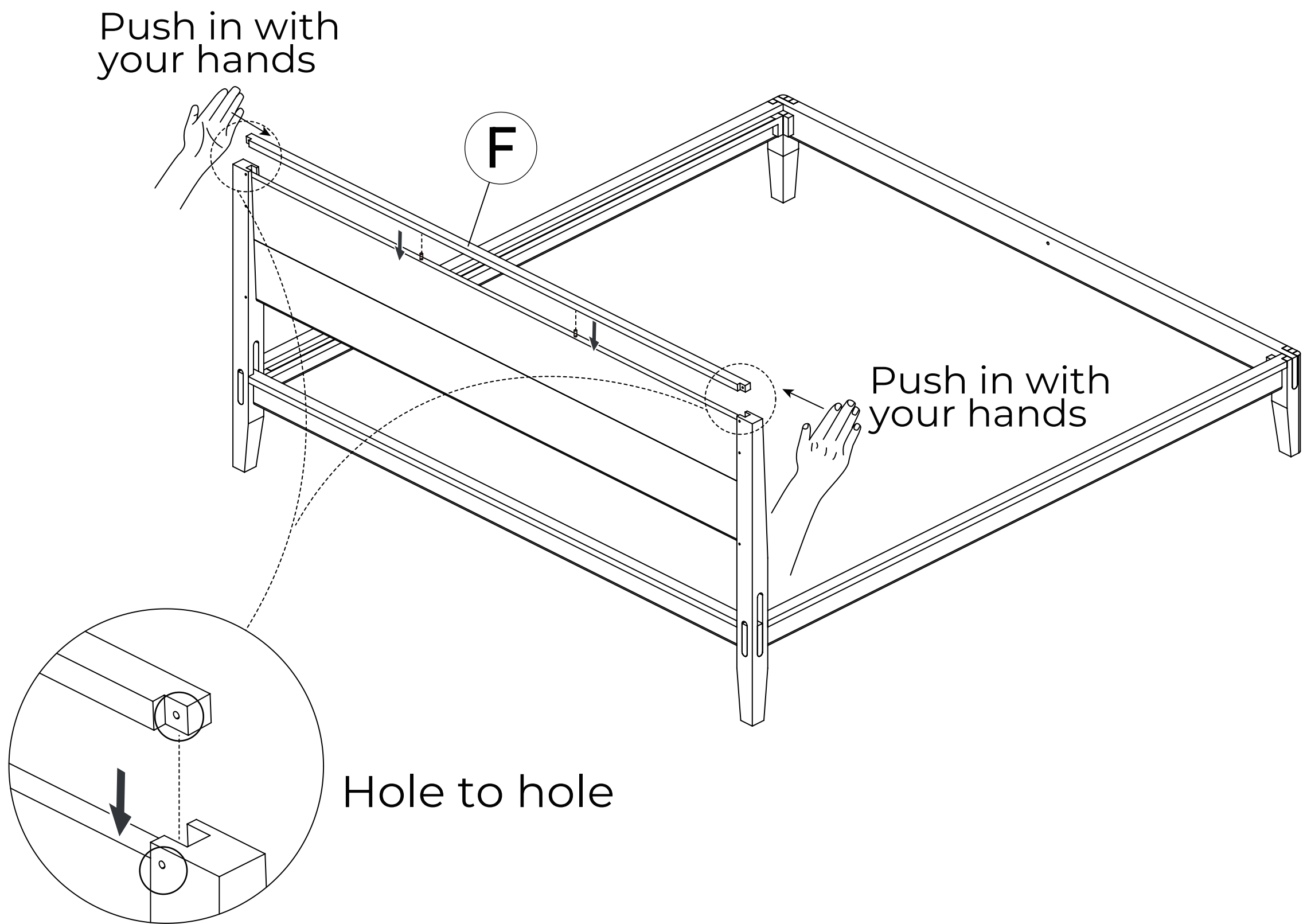


Step 6

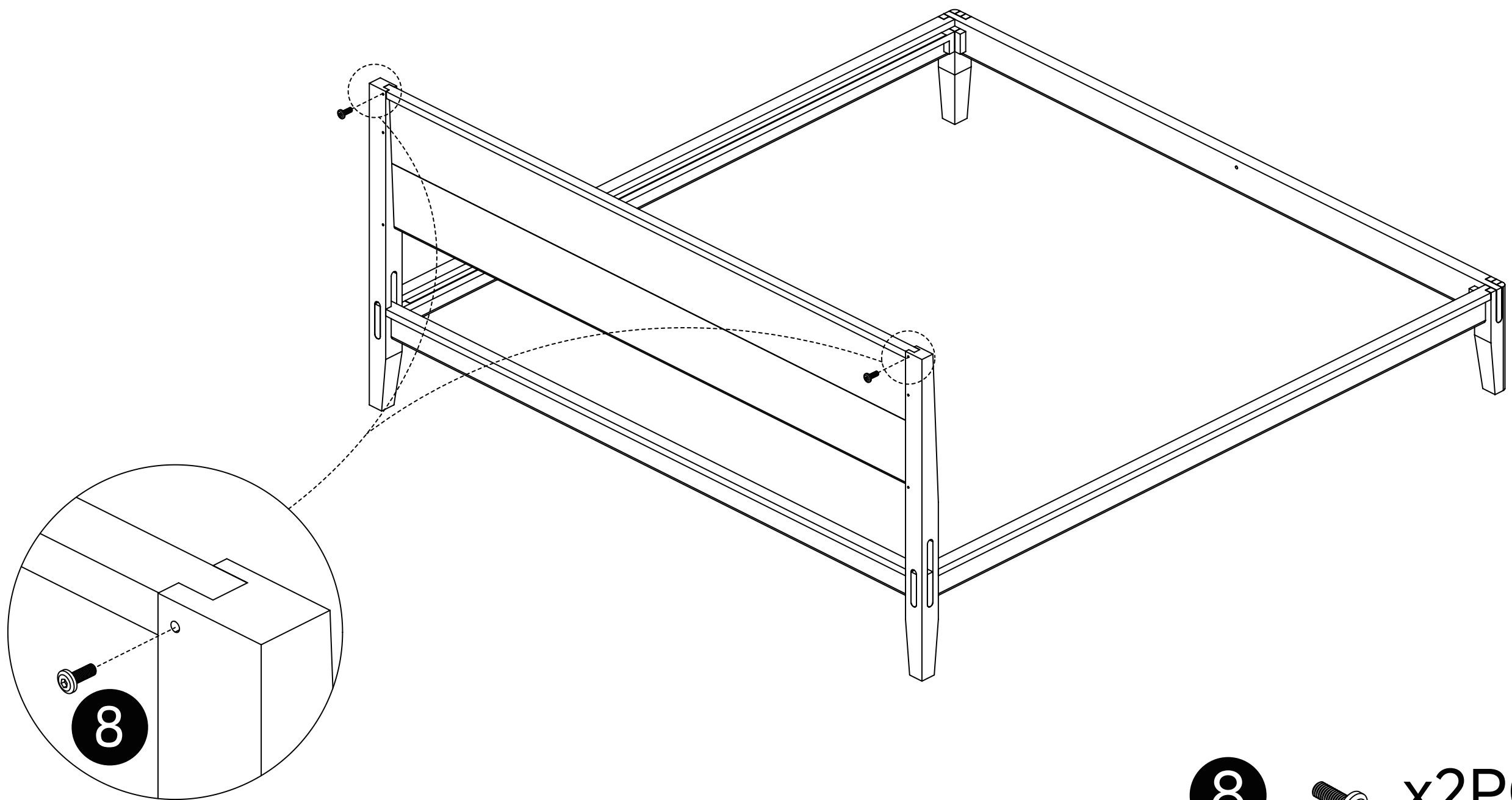


Installation Steps

Step 7



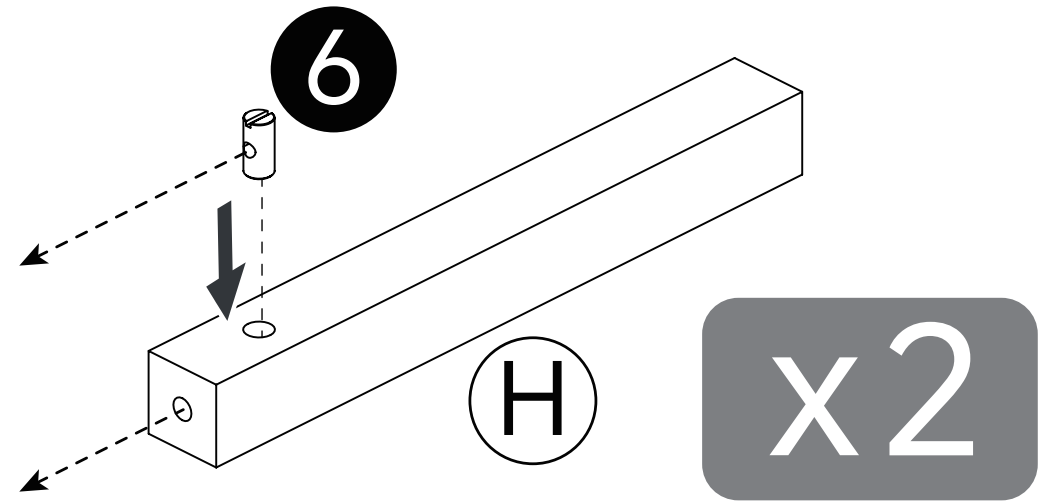
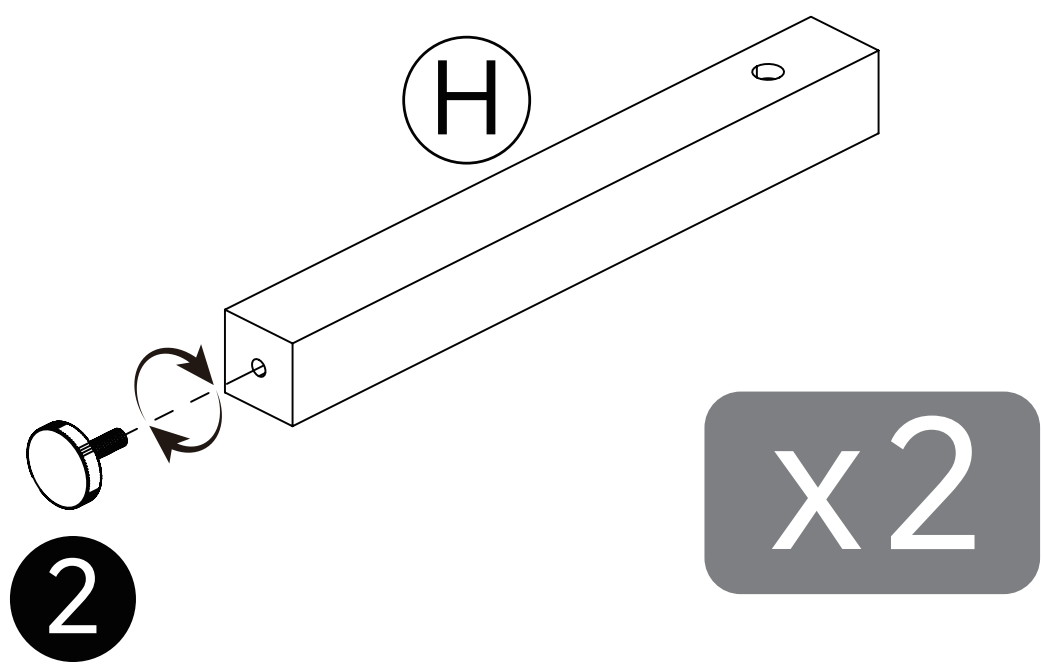
Step 8



8  x2PCS

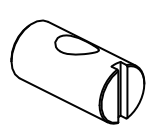
Installation Steps

Step 9

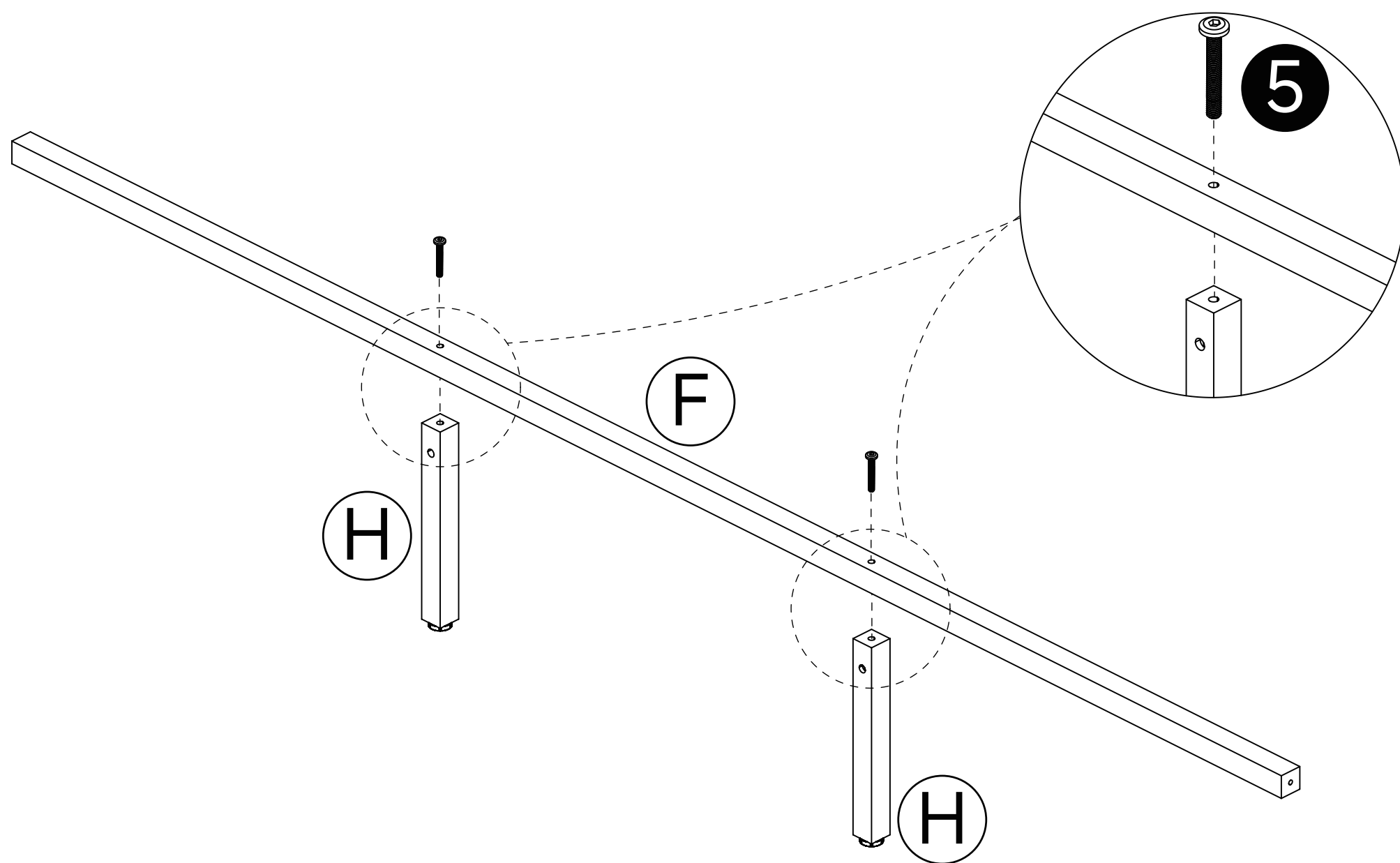


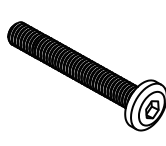
Holes facing outwards

2  x2PCS

6  x2PCS

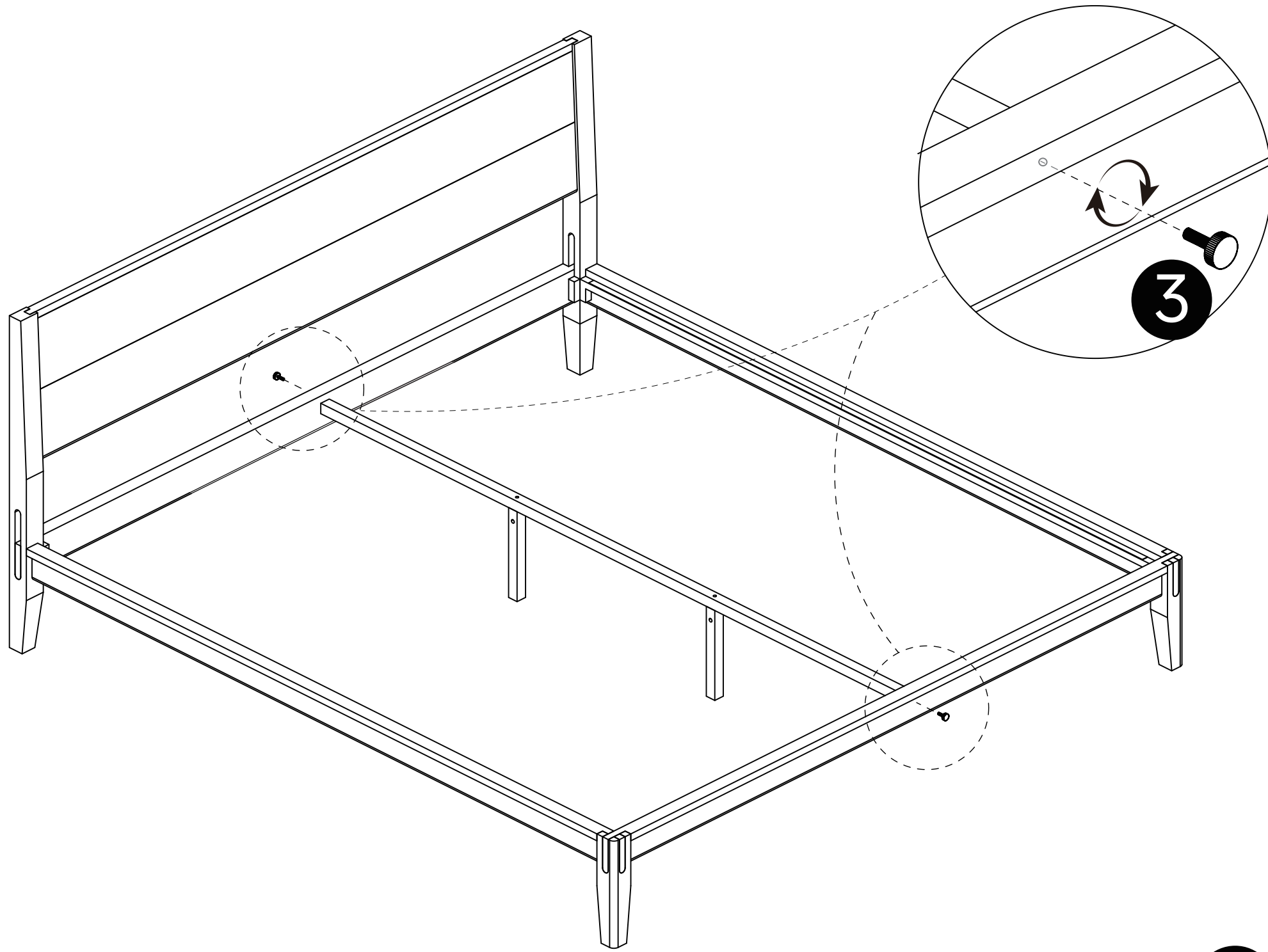
Step 10

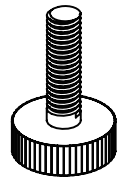


5  x2PCS

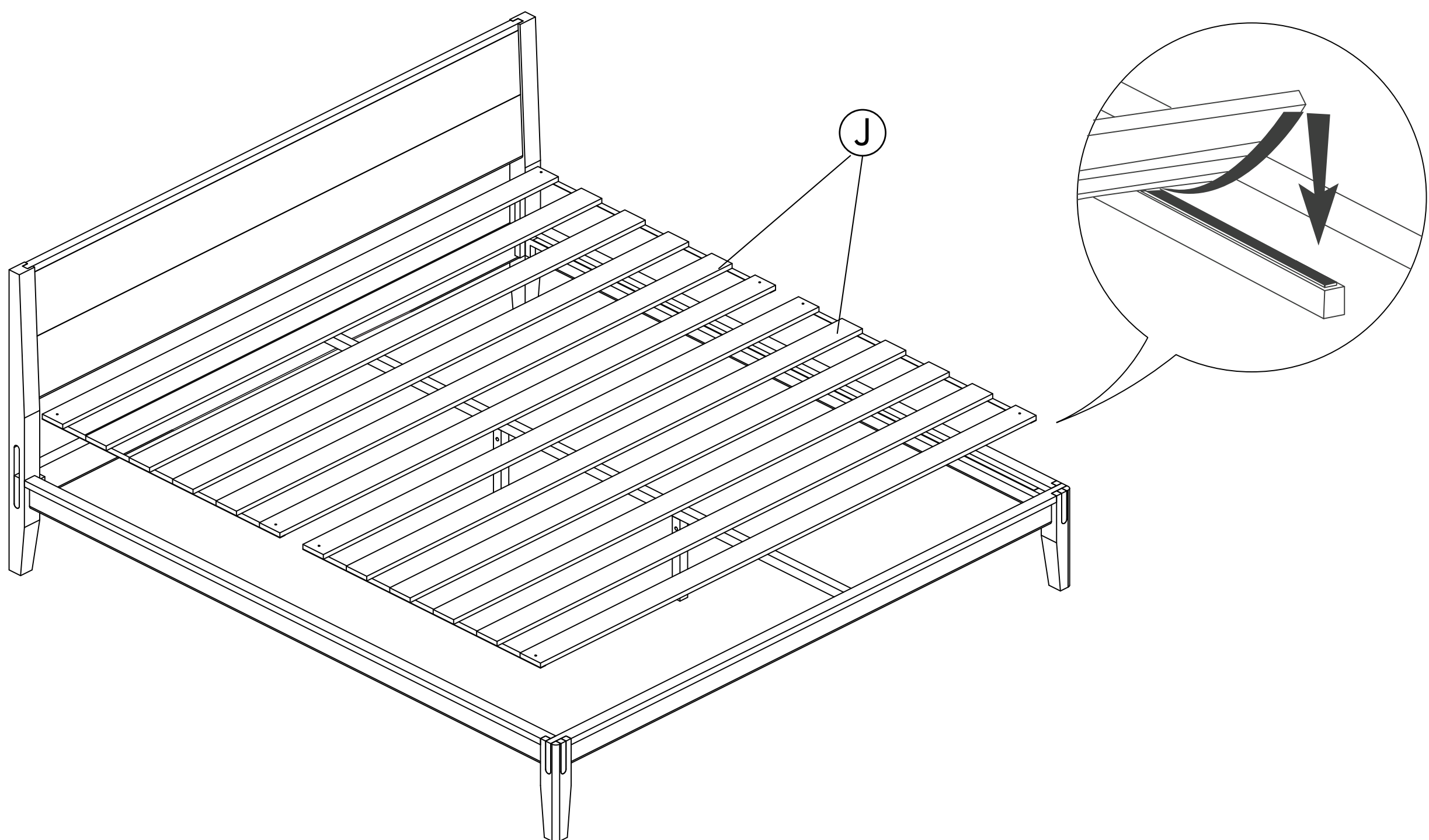
Installation Steps

Step 11



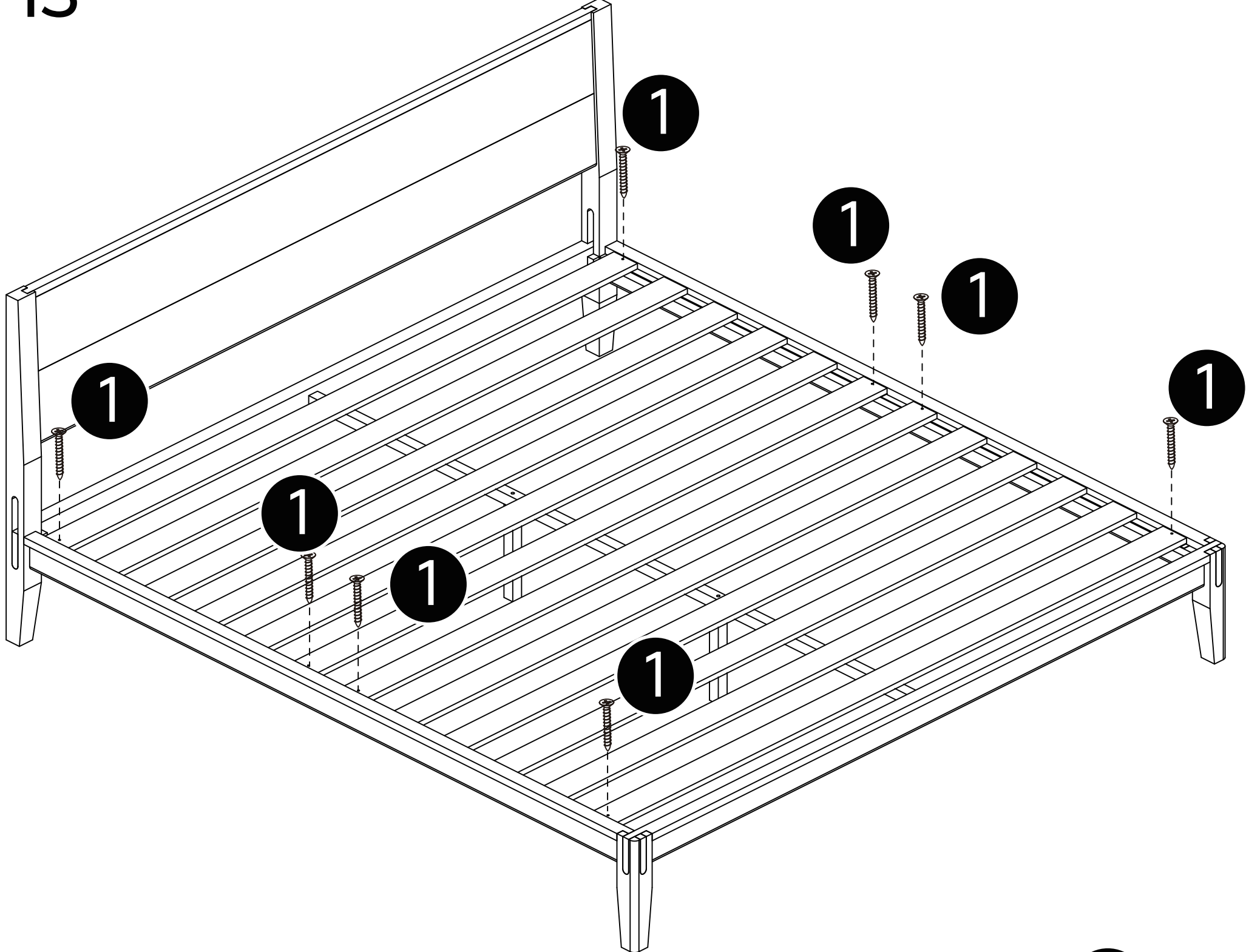
3  x2PCS

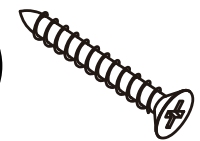
Step 12



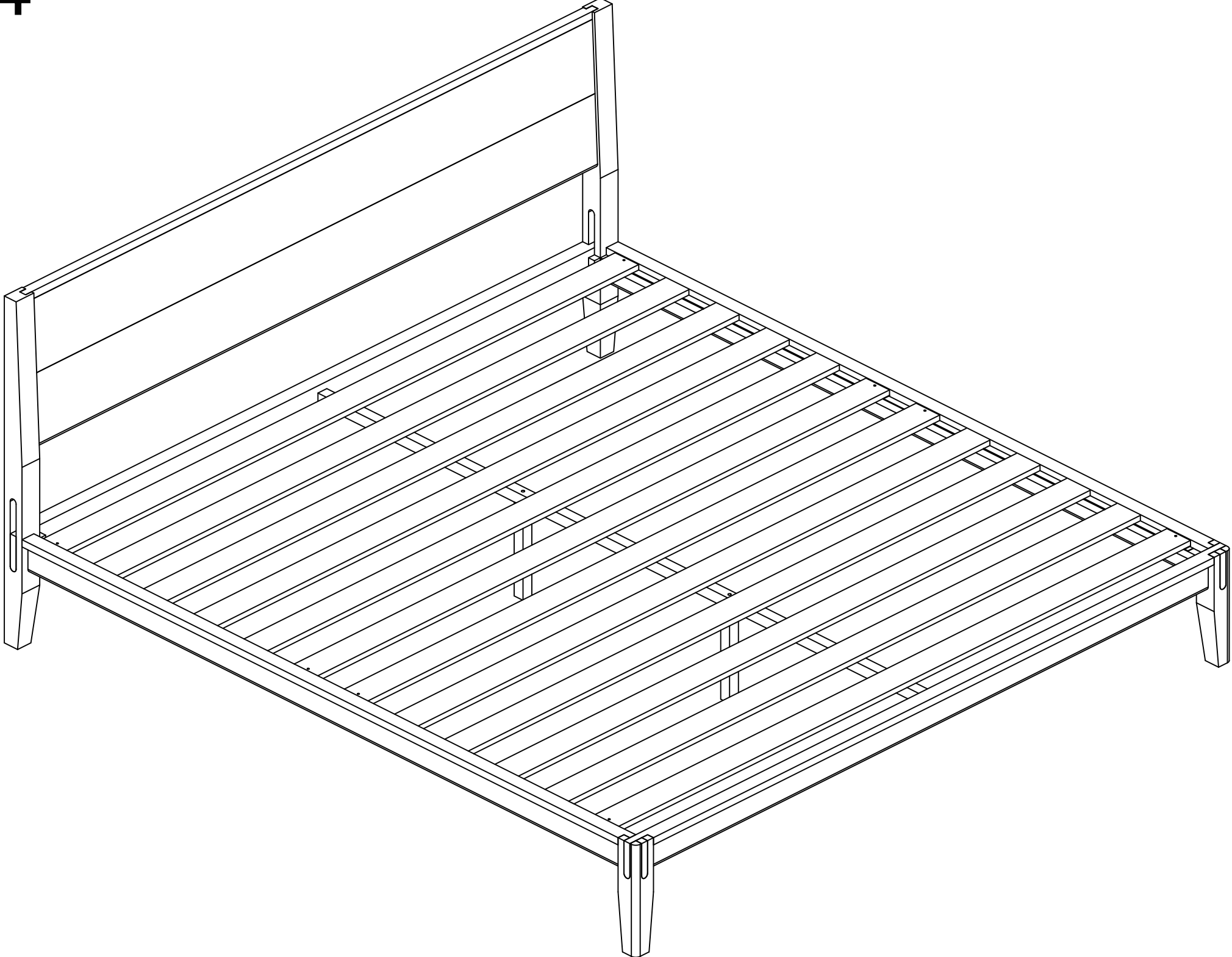
Installation Steps

Step 13



1  x8PCS

Step 14



Use and Maintenance

1. After delivery, ensure proper ventilation to dissipate odors. If not used immediately, store in a dry, well - ventilated area to accelerate odor removal. For long - term storage, unpack and keep in a dry, ventilated environment to prevent mildew growth.
 2. When unpacking, use blunt tools to prevent scratches or surface damage.
 3. Ensure the product is placed on a flat, stable surface.
 4. Avoid prolonged exposure to direct sunlight or intense artificial light to preserve color vibrancy.
 5. Never use corrosive chemicals or low - quality cleaners on the fabric, as these may cause fading, aging, cracking, or other damage.
 6. Maintain at least 12 inches (30 cm) between fabric surfaces and heat sources (e.g., radiators, heaters) to prevent fading or shrinkage.
 7. Gently wipe surfaces with a clean, soft, non - abrasive white cloth before use.
 8. Keep sharp objects (scissors, knives, jewelry buckles, etc.) away from fabric surfaces to avoid tears or punctures.
 9. Monitor pets to prevent damage from scratching or chewing.
 10. Trim any loose thread ends with scissors instead of pulling them manually.
 11. Never place newspapers on fabric surfaces, as ink may transfer permanently.
- For long - term storage:
- 1) Clean thoroughly
 - 2) Use dust - proof covers
 - 3) Store in dry, ventilated indoor areas.

The Bamboo bed frame: Natural Adaptation

Over time, The Bamboo bed frame may show slight surface changes or subtle indentations — a natural result of bamboo's organic structure adapting to daily use. To maintain its beauty and durability:

- Avoid moisture and keep out of direct sunlight.
- Oil-based finish will develop a beautiful patina over time.
- Gently wipe with a soft cloth to preserve the finish

Note: Minor texture or color variations are normal and reflect the authentic nature of bamboo craftsmanship.

Daily Care

Surface Cleaning:

Use a dry, soft cloth to gently wipe away dust and debris. For deeper cleaning, use a slightly damp cloth and dry immediately to avoid moisture buildup that could lead to warping or discoloration.

For corners and joints, use a vacuum cleaner with a soft brush attachment on low suction.

Avoid abrasive pads or stiff bristles, which may scratch the bamboo surface.

Stain Prevention:

Wipe spills promptly with a clean, dry cloth.

Avoid rubbing, as it may spread the liquid or leave marks on the finish.

Keep away from sharp objects (e.g., keys, pet claws) and avoid exposure to harsh chemicals, acidic/alkaline cleaners, or alcohol-based products, as these can damage the protective coating or discolor the bamboo.

Long-Term Preservation:

When not in use, cover with a breathable cloth to protect against dust and pests.

If storing disassembled, keep in a cool, dry, and well-ventilated space.

Avoid plastic wrapping, as trapped moisture may cause mildew or cracking.

Troubleshooting

Symptoms	Cause Analysis	Cause Analysis
Sofas, soft beds, dining chairs, night-stand, side table, and leisure chairs are unstable and shake after being placed	Four feet are not evenly on the ground	Depending on the ground clearance, use suitable hard objects to level it (some conference chairs can adjust the height of the rubber pad on the sole of the foot to balance the chair body)
Inflexible use of furniture moving parts	Loose connection of moving parts or lack of lubricating oil	Retighten the connecting screws to make the connection firm
Armrest loose	Armrest screws loose	Tighten the connecting screws and add lubricating oil properly
Scratches and bumps on painted wood	Paint surface damaged	Touch it up with paint of the same color
Deformation of the foam	Caused by long term transportation of use	Using a steamer, gently apply steam to the affected area of the sofa, and then use your hands to reshape it. Be careful not to get the sofa too wet or to burn yourself with the steam

Assembly&Warranty

Assembly:

Simple, tool-free set-up in 5(ish) minutes.

Warranty:

The Classic Bed + Headboard is backed by 1 year warranty. For more information, please refer to our.