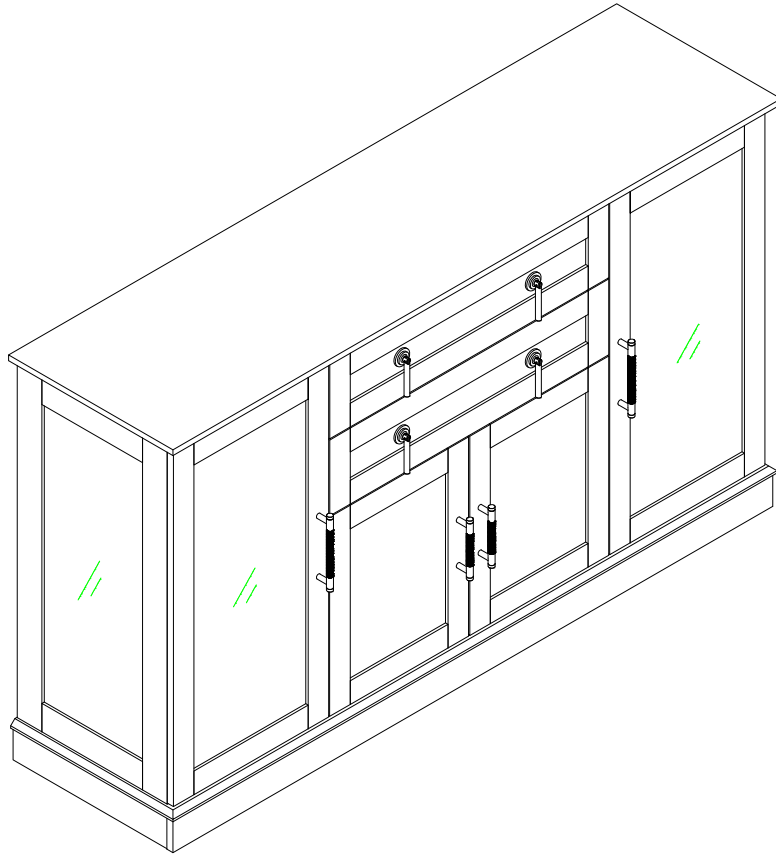


PZKJ-0038
PZKJ-0039



If you are confused about assembly or any question about this product, please feel free to contact us.

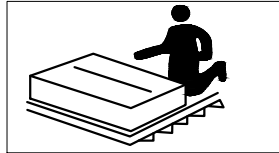
If you have any question, please do not hesitate to contact us Email: forest-gravity.cs@hotmail.com

We will reply within 12hours

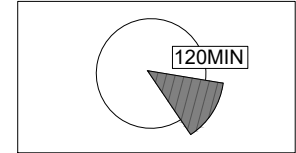
"IMPORTANT, RETAIN FOR FUTURE REFERENCE: READ CAREFULLY"



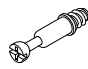
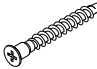

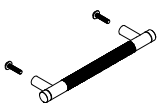
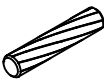
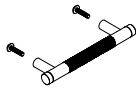
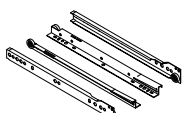


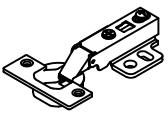

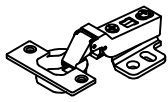


Recommended installers:2

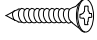
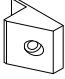


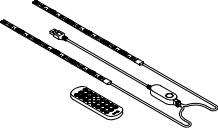




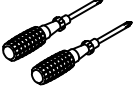
Put a carpet on the floor
before unpacking

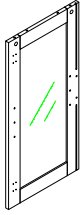
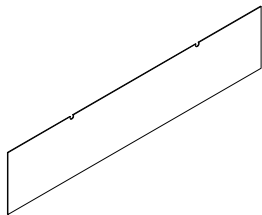
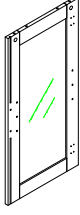
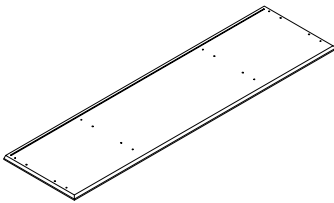
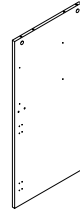
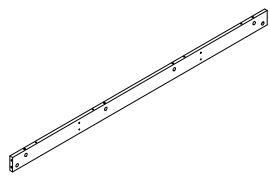
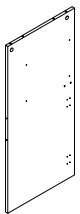
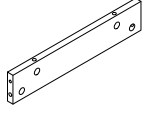
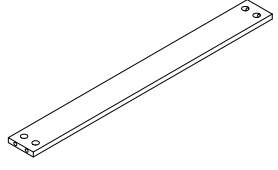
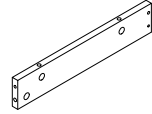
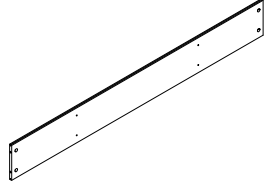
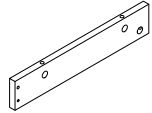
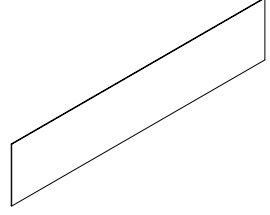
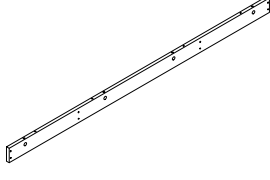


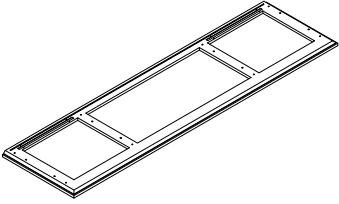
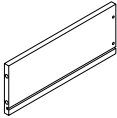
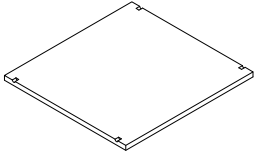
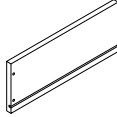
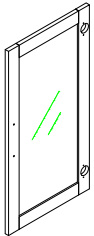
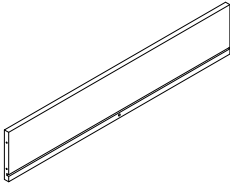
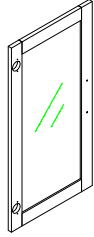
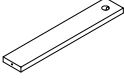
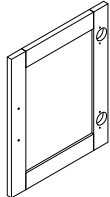
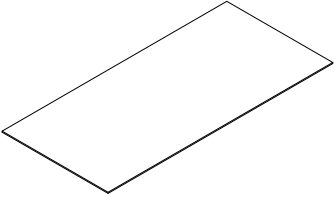
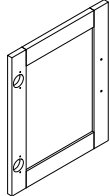
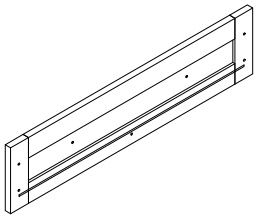
Estimate installation time:
120 minutes

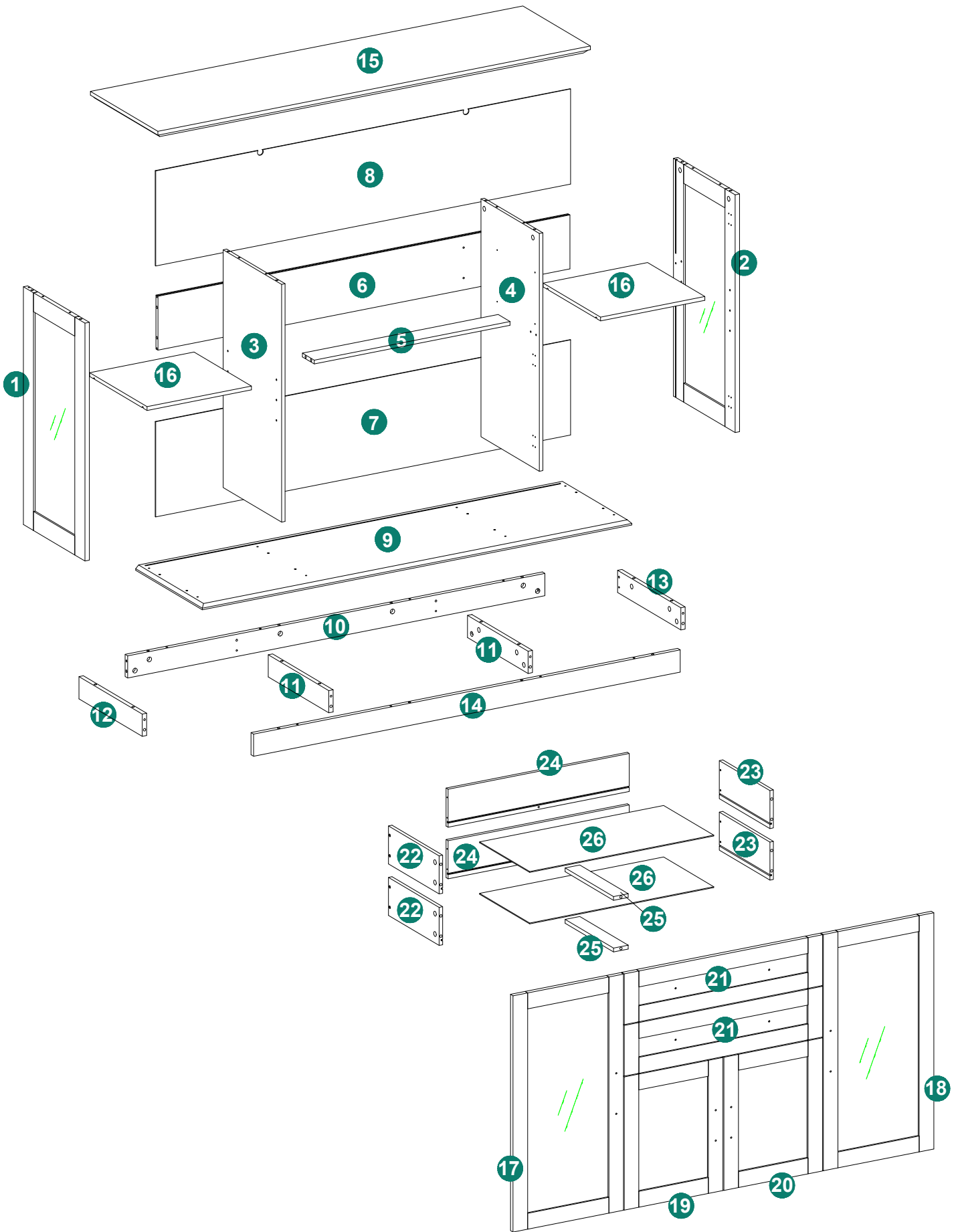
Item No.	Reference Image	Qty.	Item No.	Reference Image	Qty.
(A)	 Ø6x32mm	50 PCS	(H)	 5*40mm	12 PCS
(B)	 Ø15x10mm	50 PCS	(I)		2 sets
(C)	 Ø6x30mm	32 PCS	(J)		2 sets
(D)	 12"	2 sets	(K)		4 sets
(E)	 4*30mm	10 PCS	(L)		4 PCS
(F)	 3*12mm	16 PCS	(M)		4 PCS
(G)	 5*16mm	8 PCS	(N)	 3.5*12mm	48 PCS

Item No.	Reference Image	Qty.
ⓐ	 M3x16mm	12 PCS
Ⓟ		12 PCS
Ⓠ	 Ø20mm	40 PCS
Ⓡ		2 sets
Ⓢ		1 set
Ⓣ		4 PCS

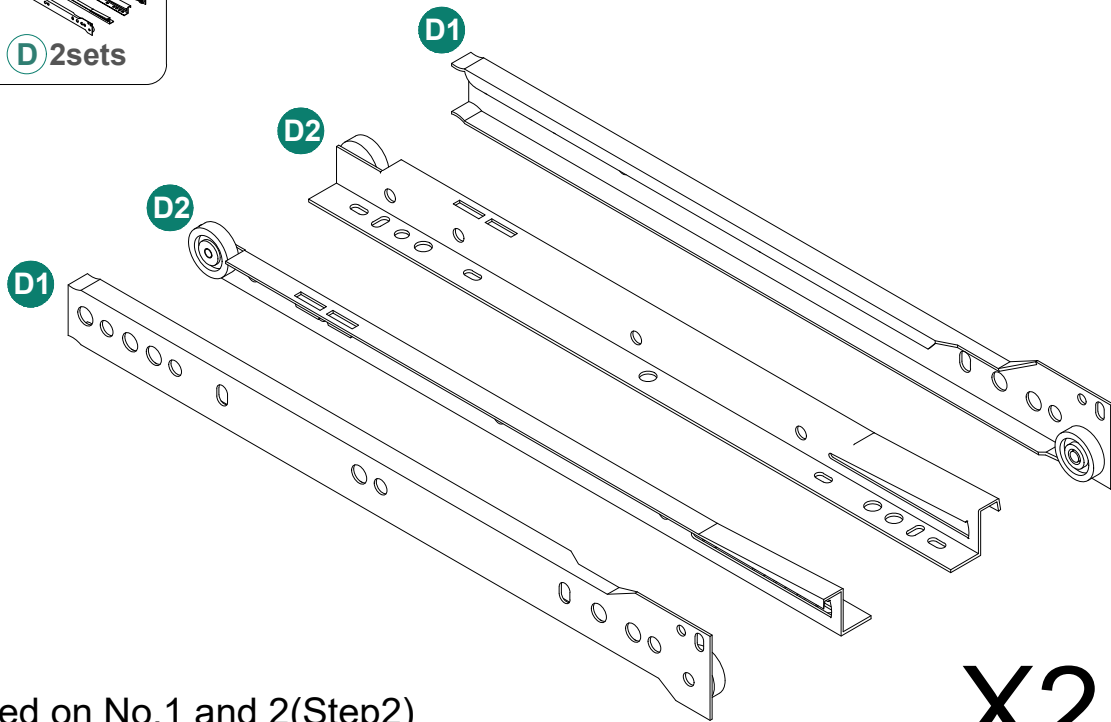
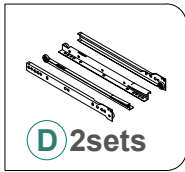
Item No.	Reference Image	Qty.
Ⓤ	 3*14mm	8 PCS
Ⓦ		2 PCS

Item No.	Reference Image	Qty.	Item No.	Reference Image	Qty.
1		X 1	8		X 1
2		X 1	9		X 1
3		X 1	10		X 1
4		X 1	11		X 2
5		X 1	12		X 1
6		X 1	13		X 1
7		X 1	14		X 1

Item No.	Reference Image	Qty.	Item No.	Reference Image	Qty.
15		X 1	22		X 2
16		X 2	23		X 2
17		X 1	24		X 2
18		X 1	25		X 2
19		X 1	26		X 2
20		X 1			
21		X 2			



1

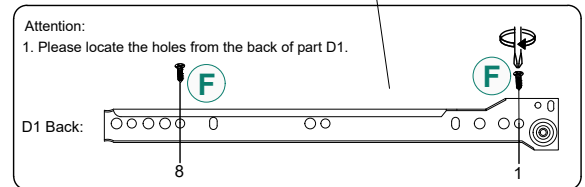
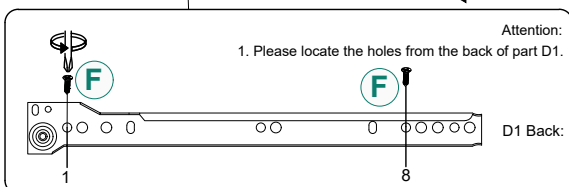
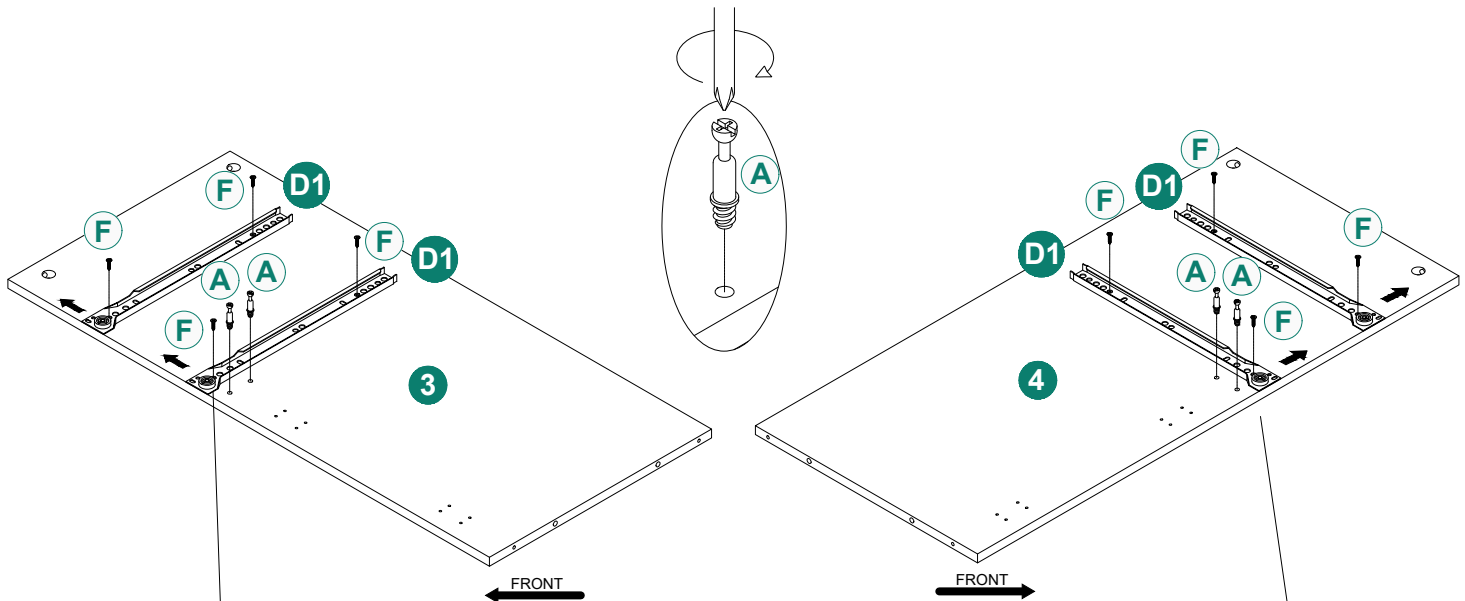


D1 installed on No.1 and 2(Step2)

D2 installed on the bottom of the drawer.(Step33)

X2

2

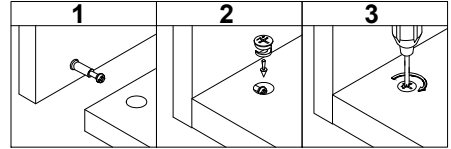
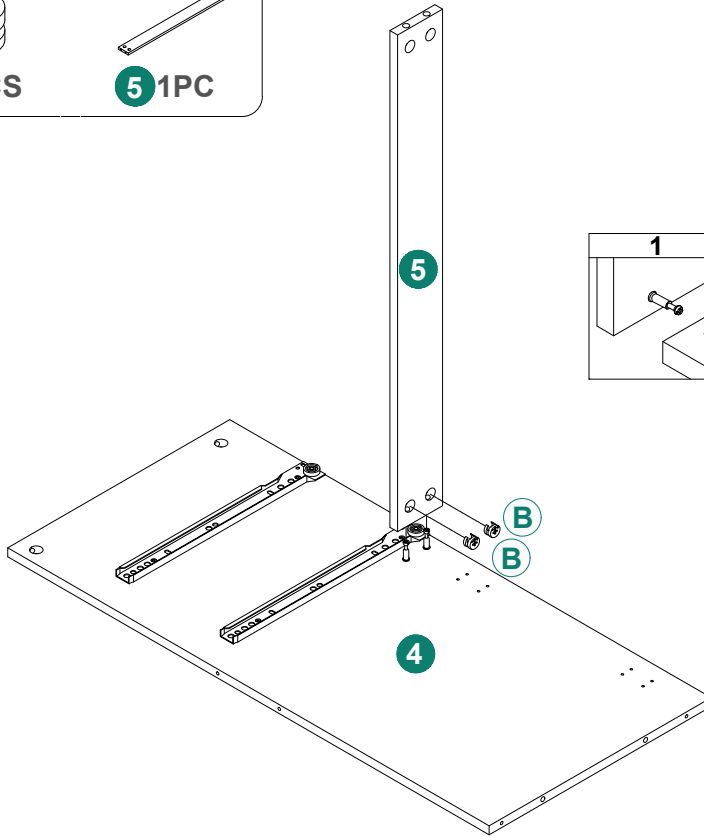


6

3

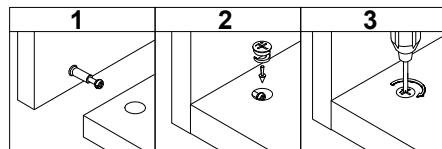
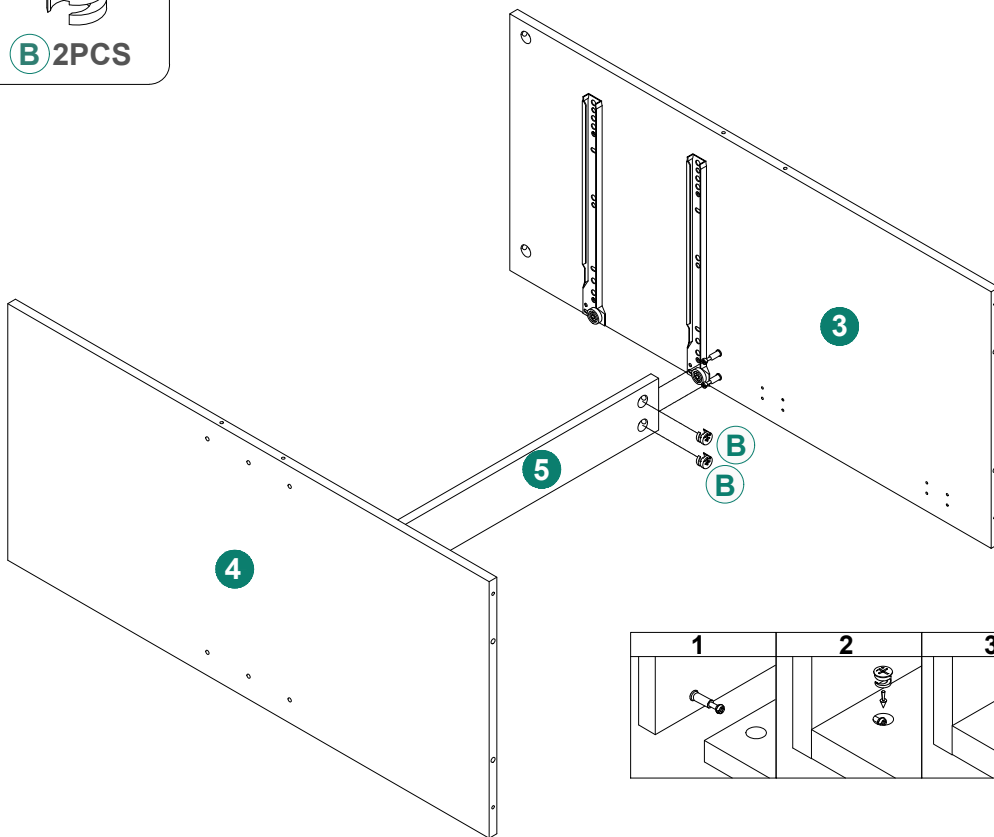
 **B** 2PCS

 **5** 1PC

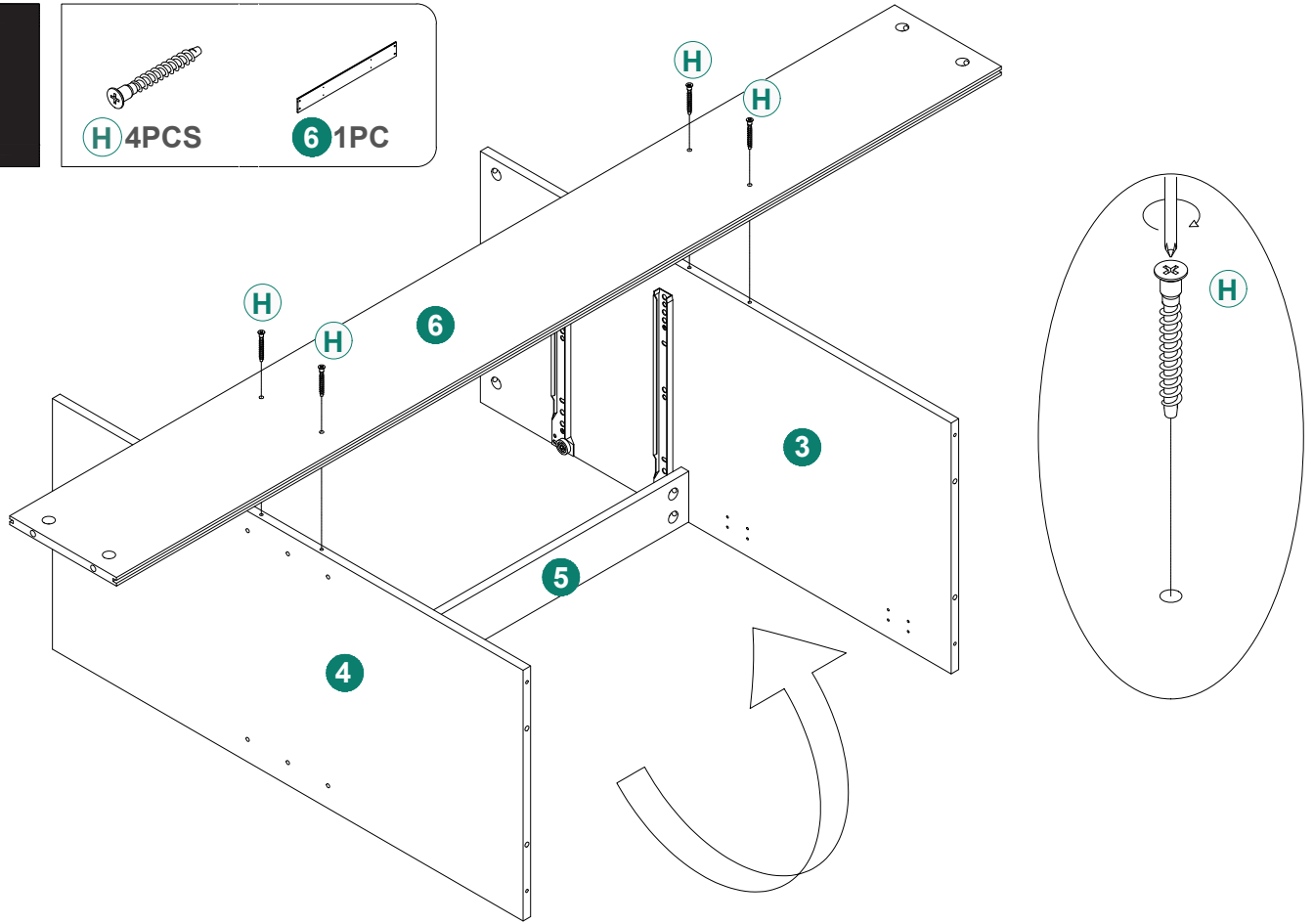
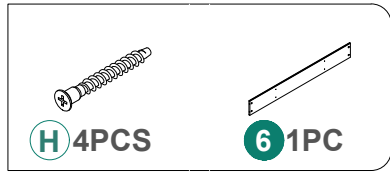


4

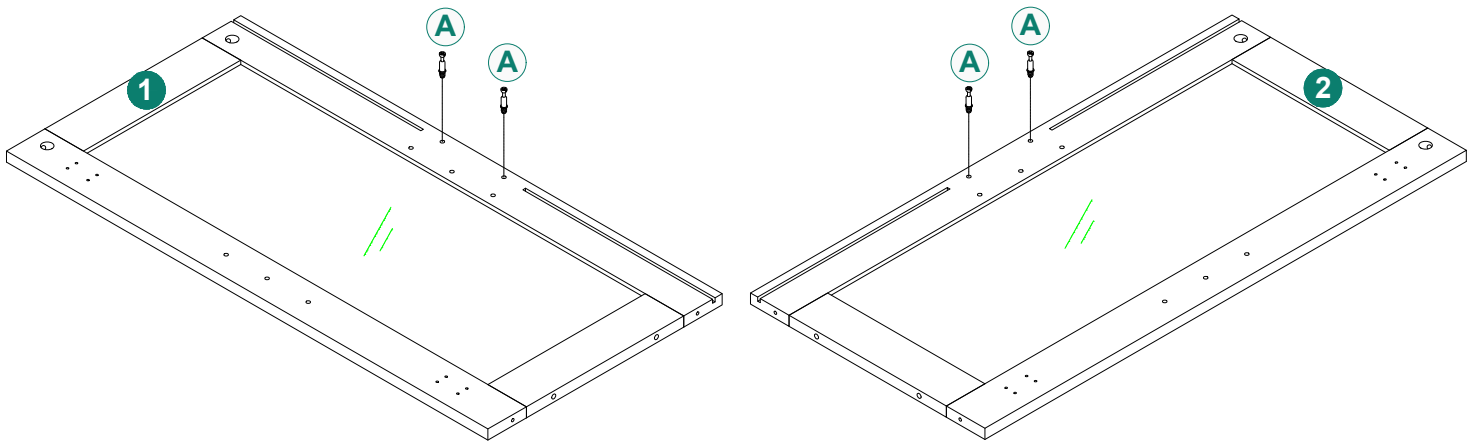
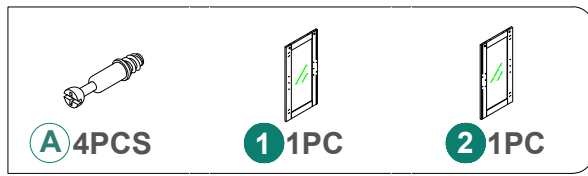
 **B** 2PCS



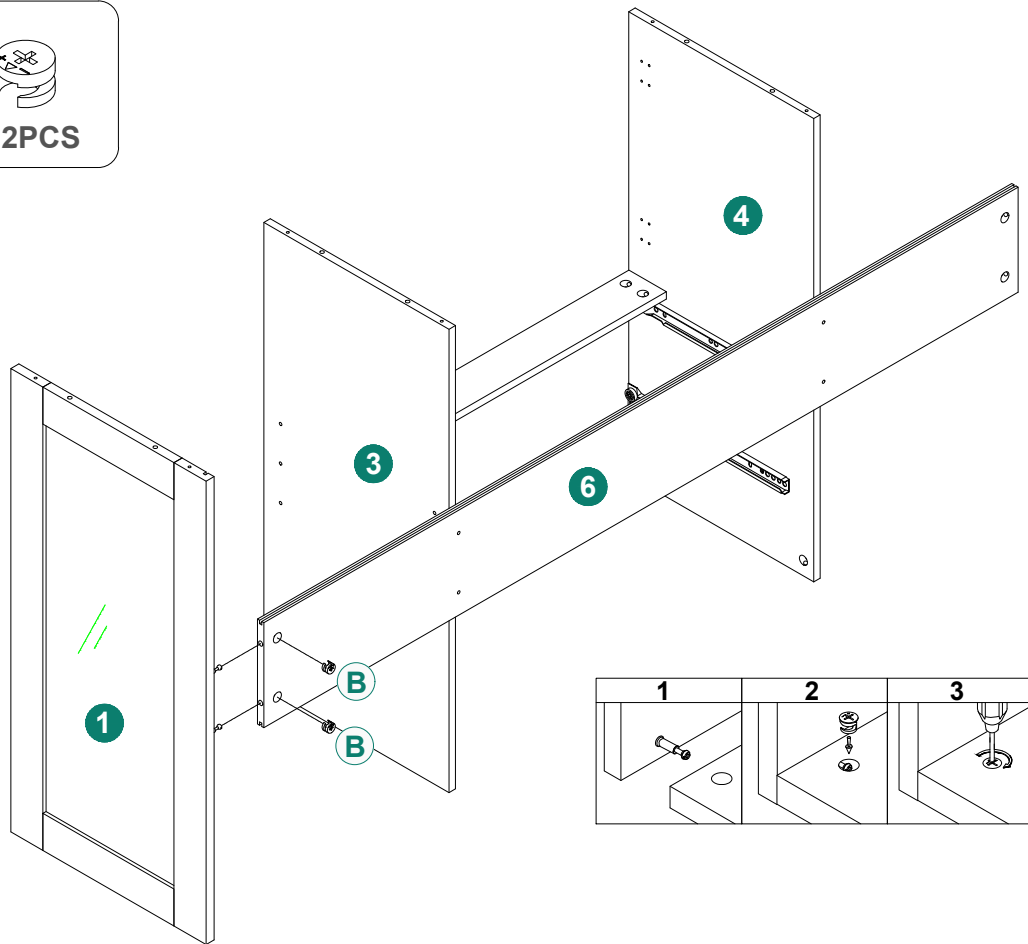
5



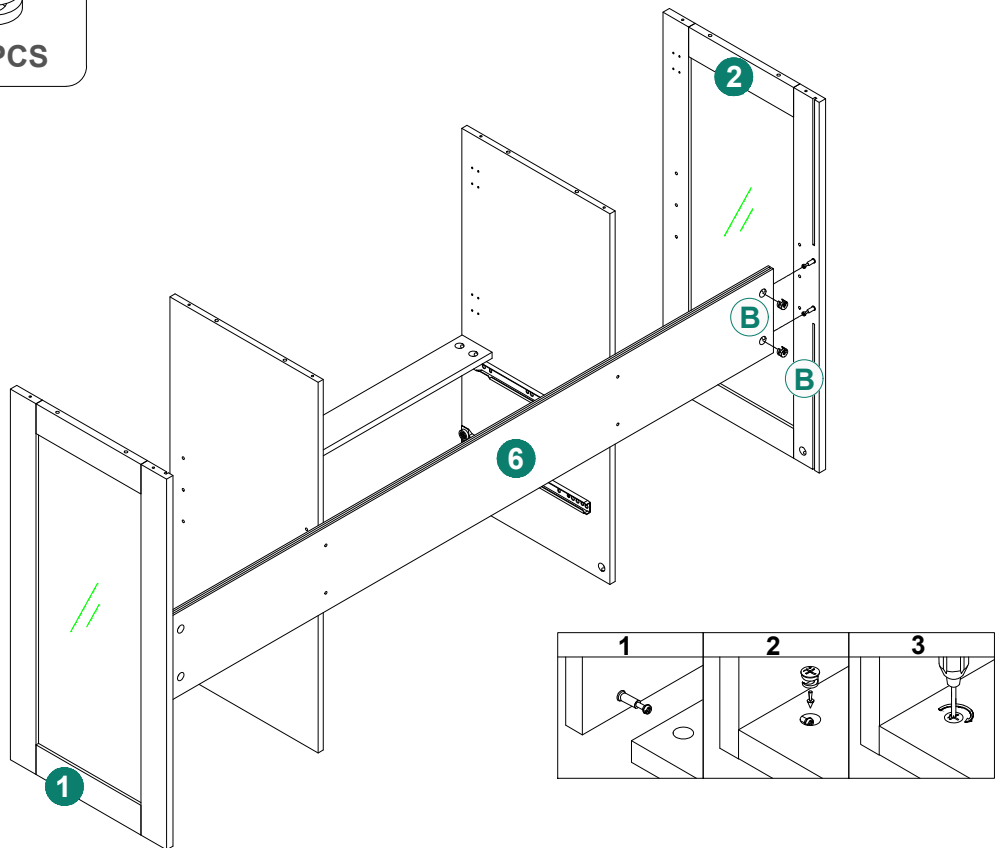
6



7

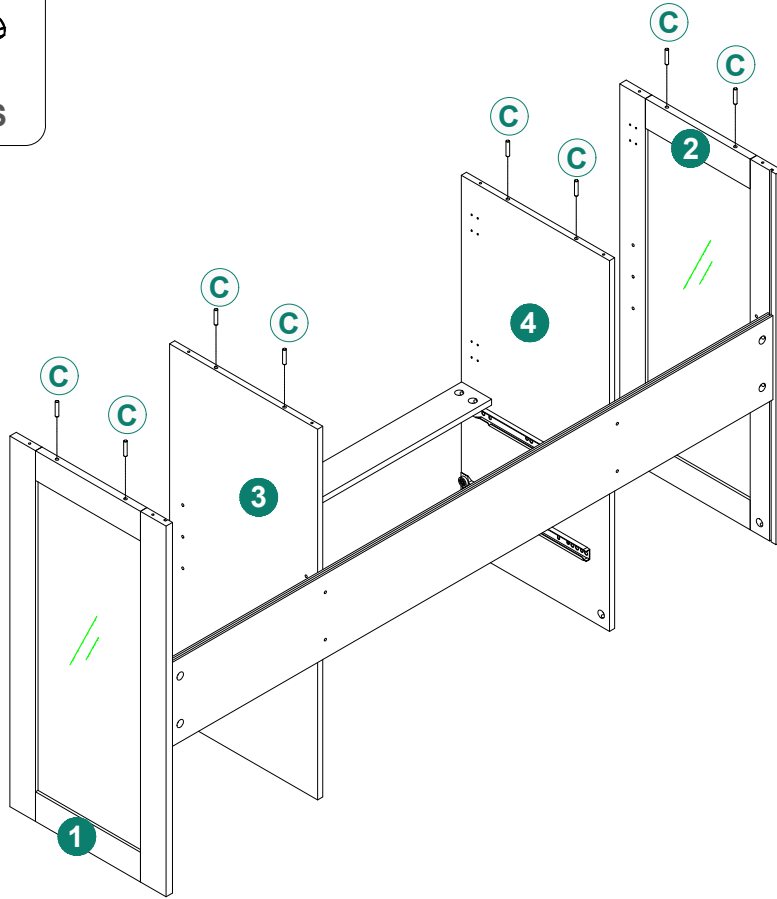


8

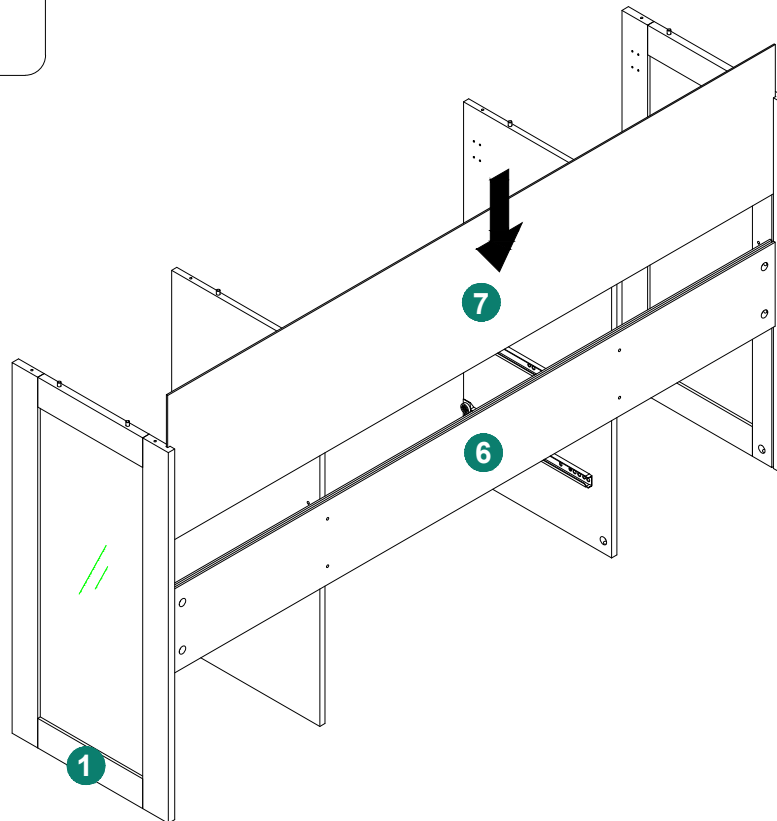
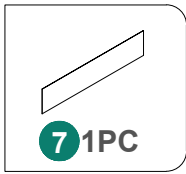


9

9

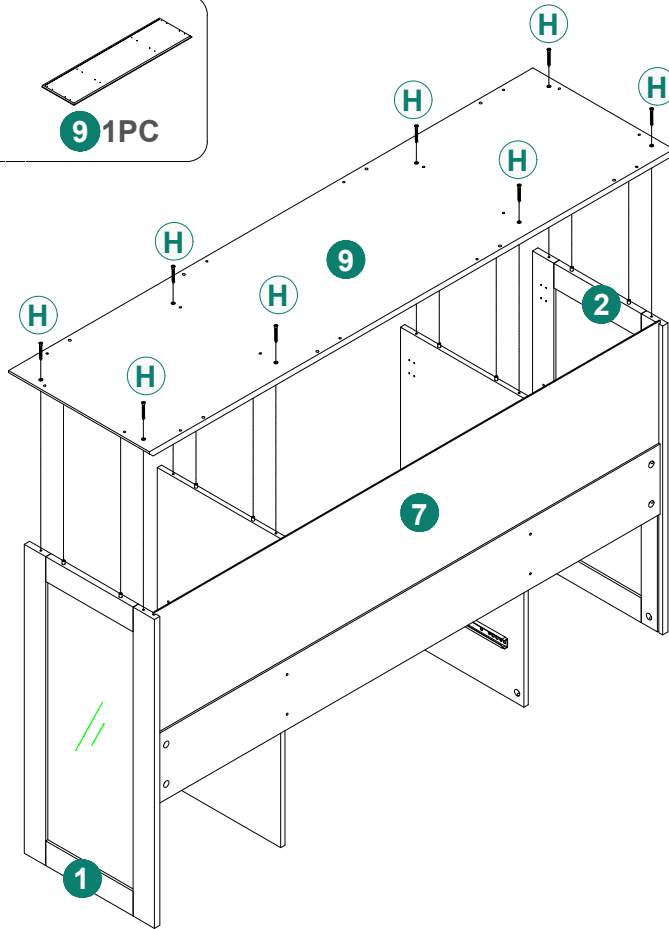
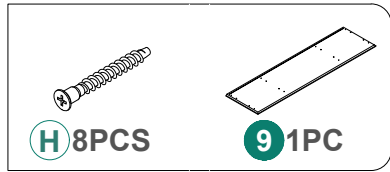


10

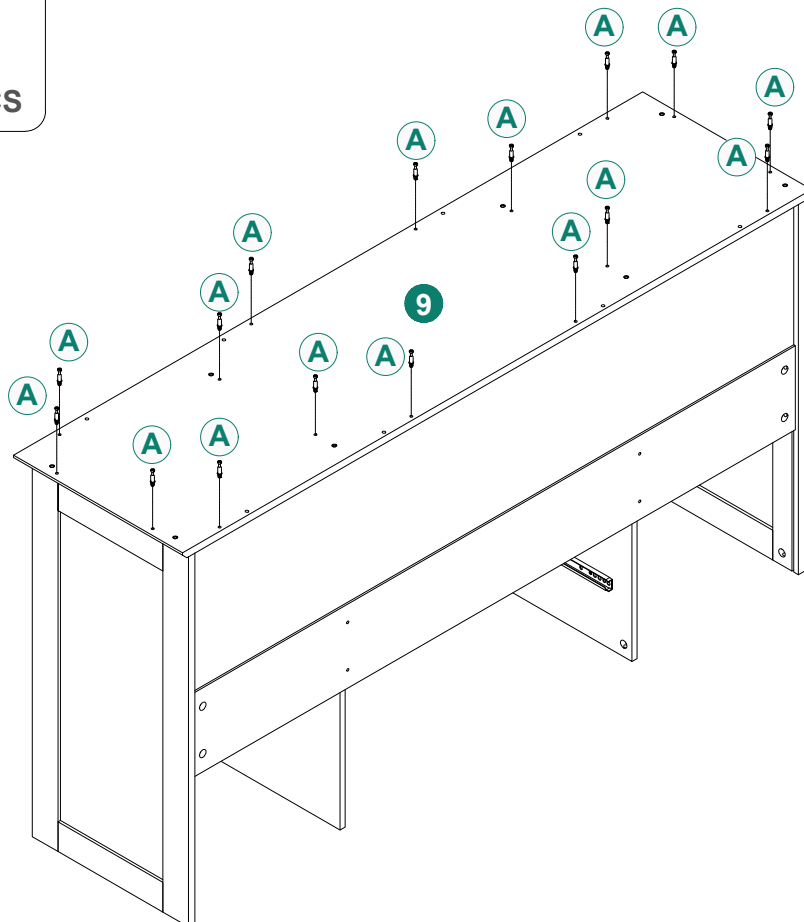
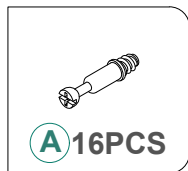


10


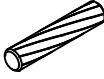

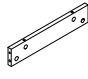
11

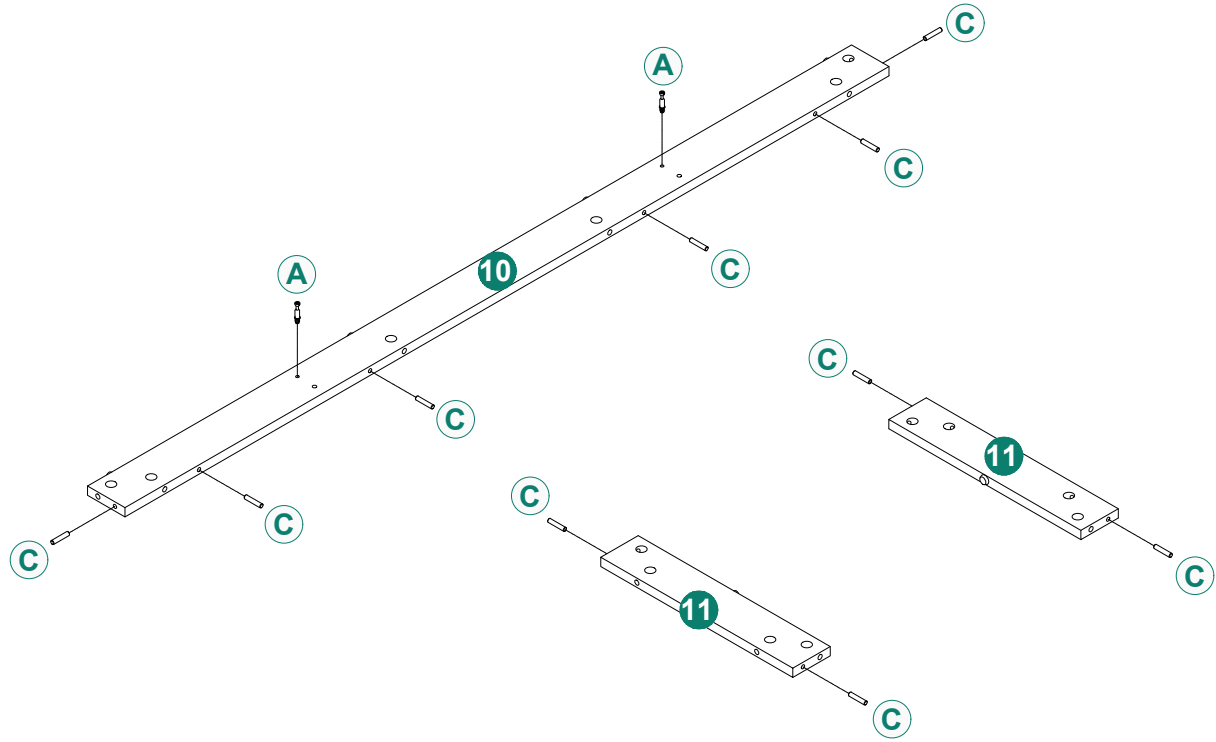


12




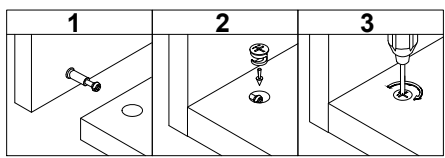
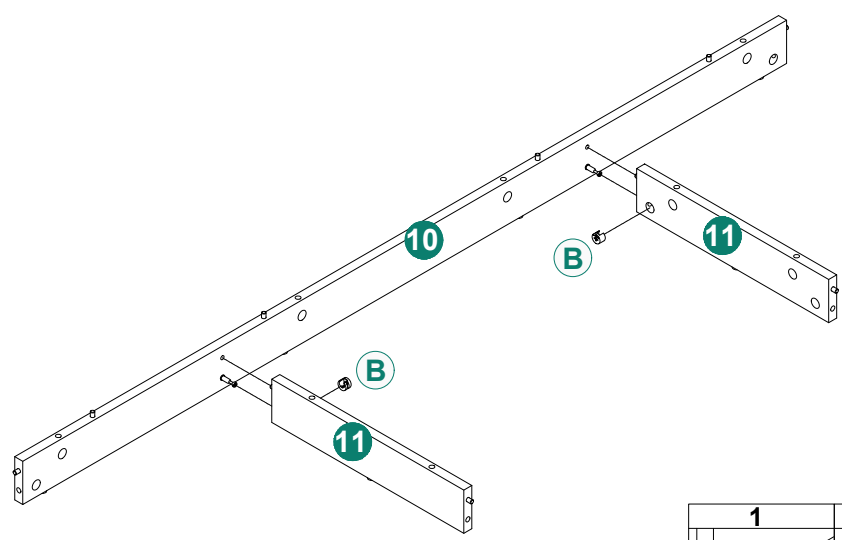
13

 **A 2PCS**  **C 10PCS**  **10 1PC**  **11 2PCS**

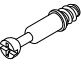
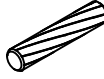
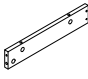
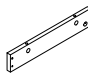
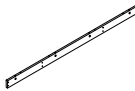


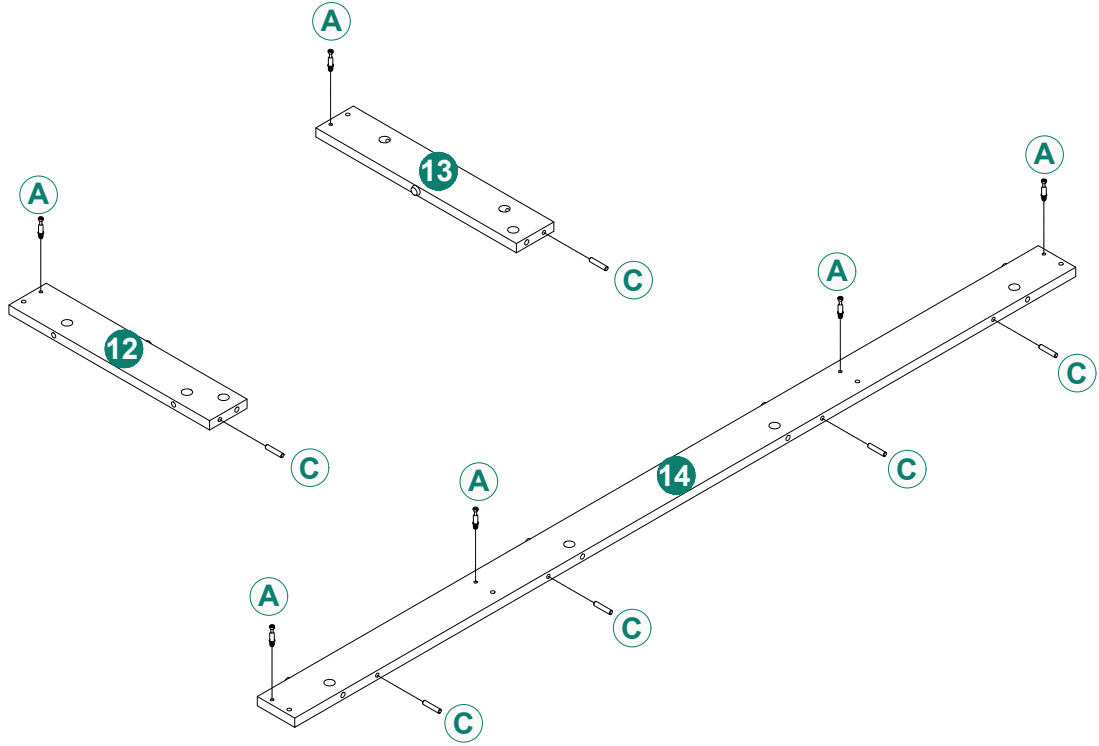
14

 **B 2PCS**



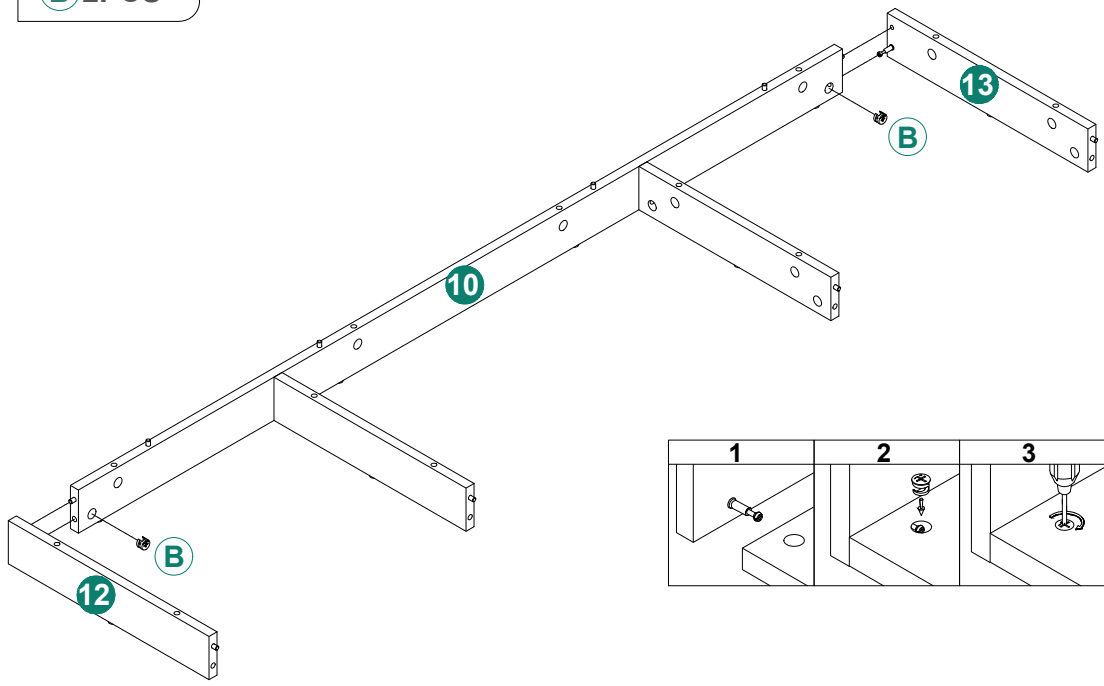
15

 **A 6PCS**  **C 6PCS**  **12 1PC**  **13 1PC**  **14 1PC**

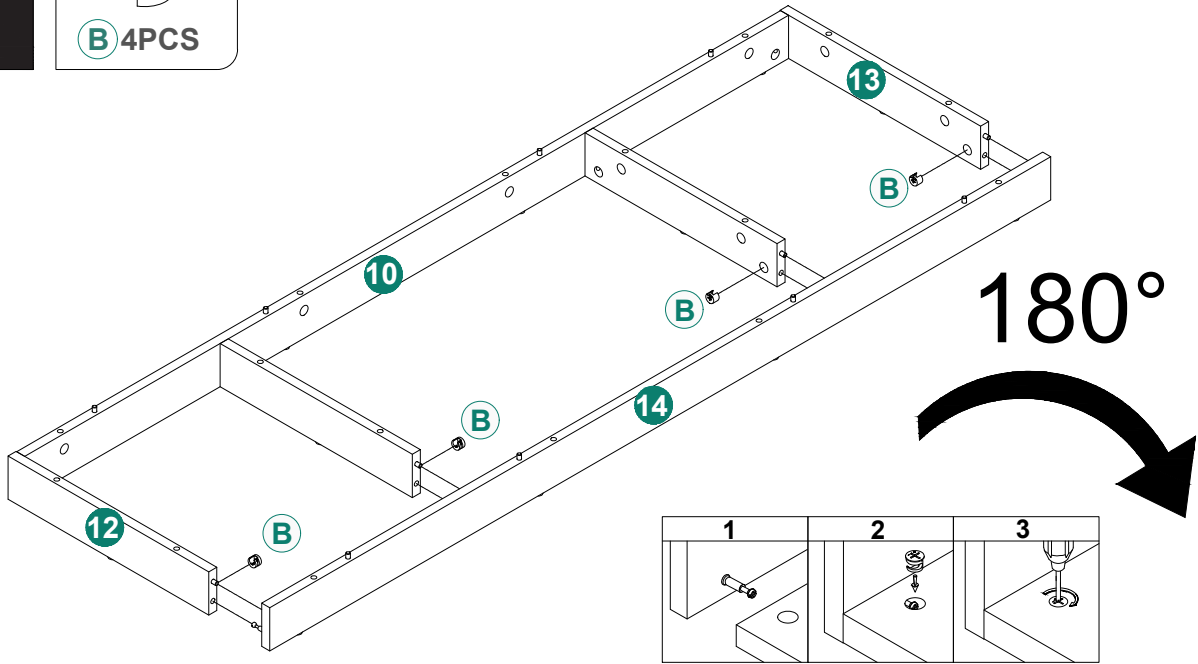
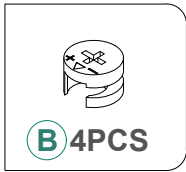


16

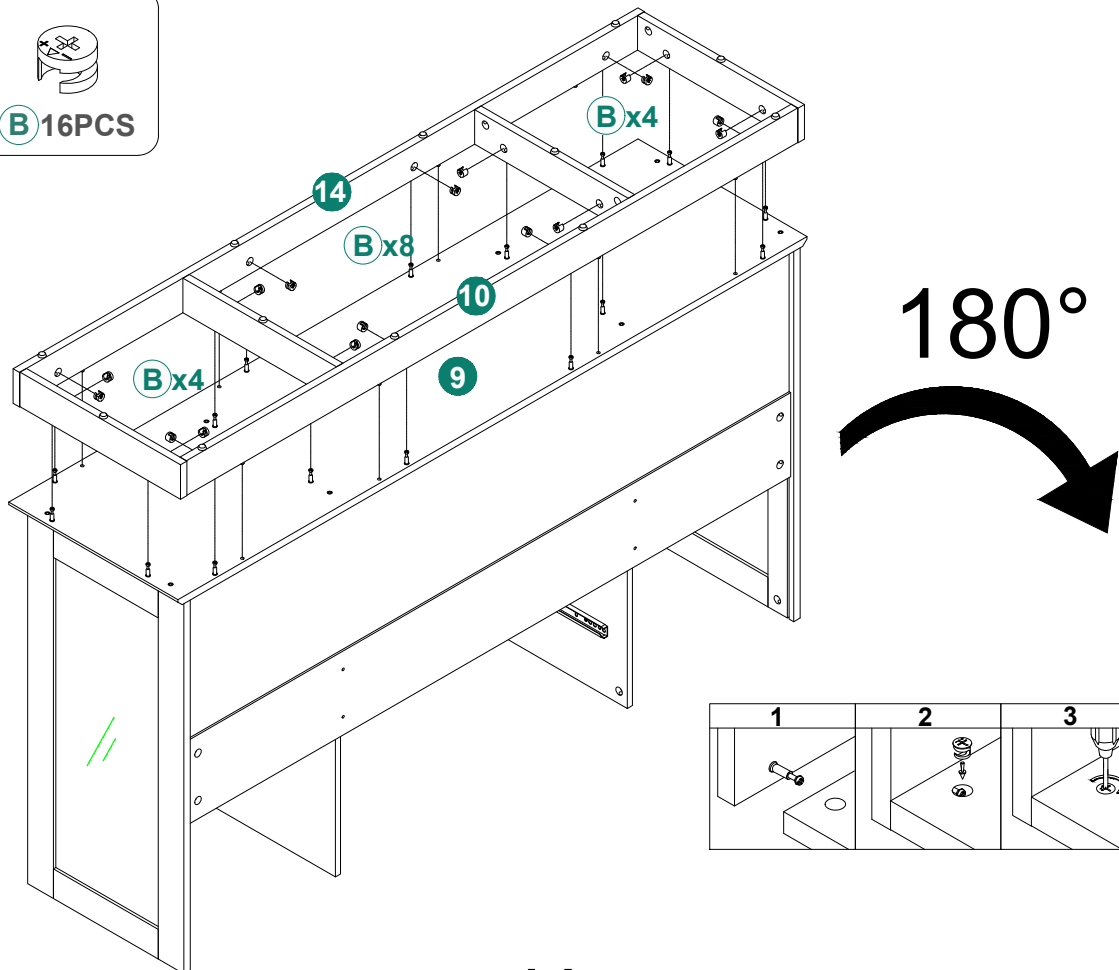
 **B 2PCS**



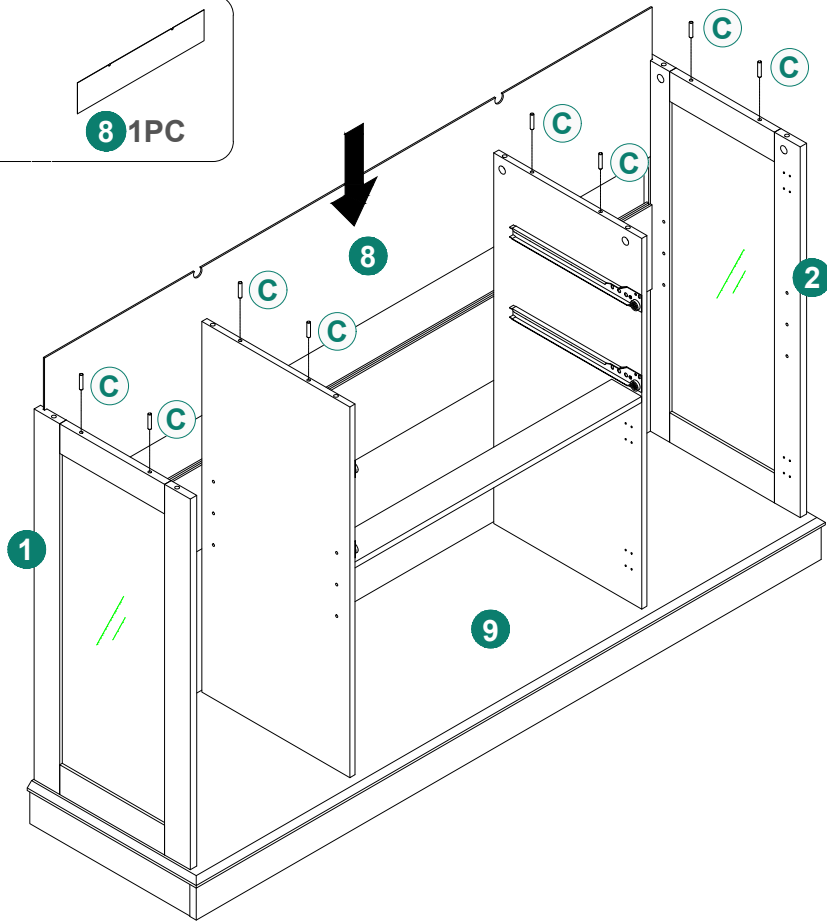
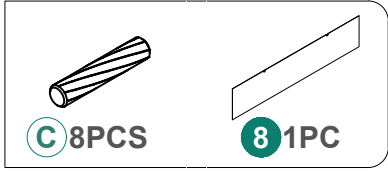
17



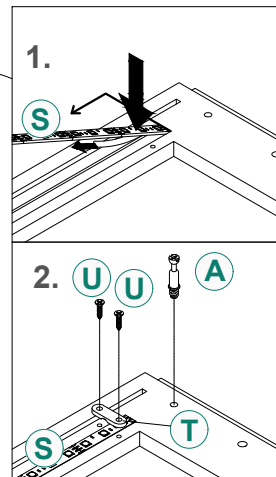
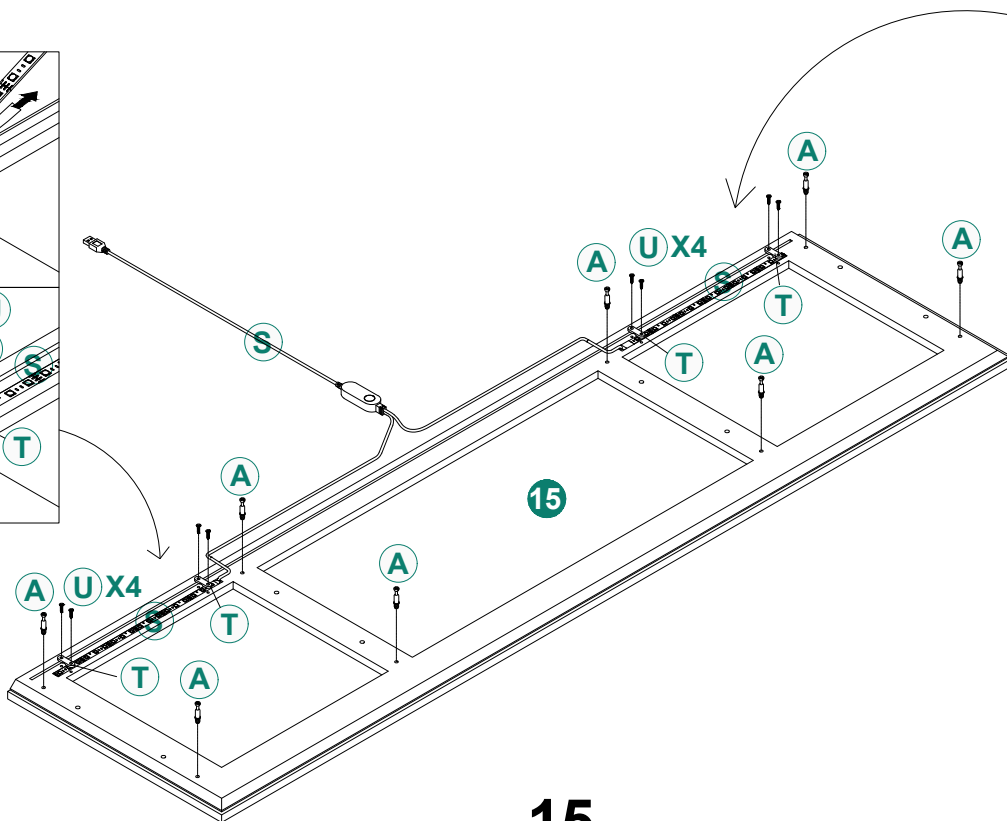
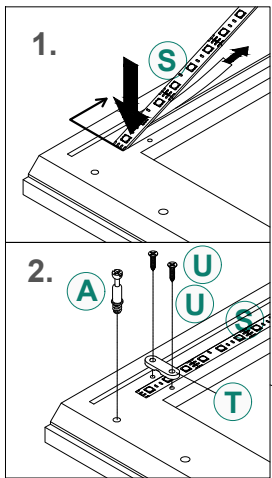
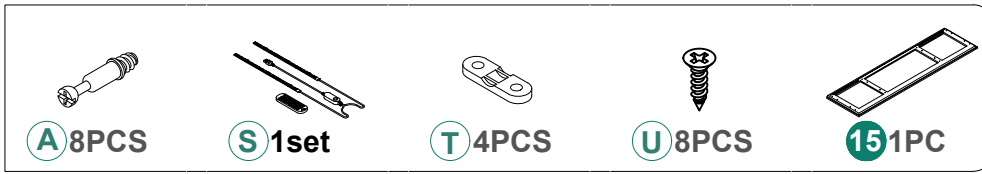
18



19

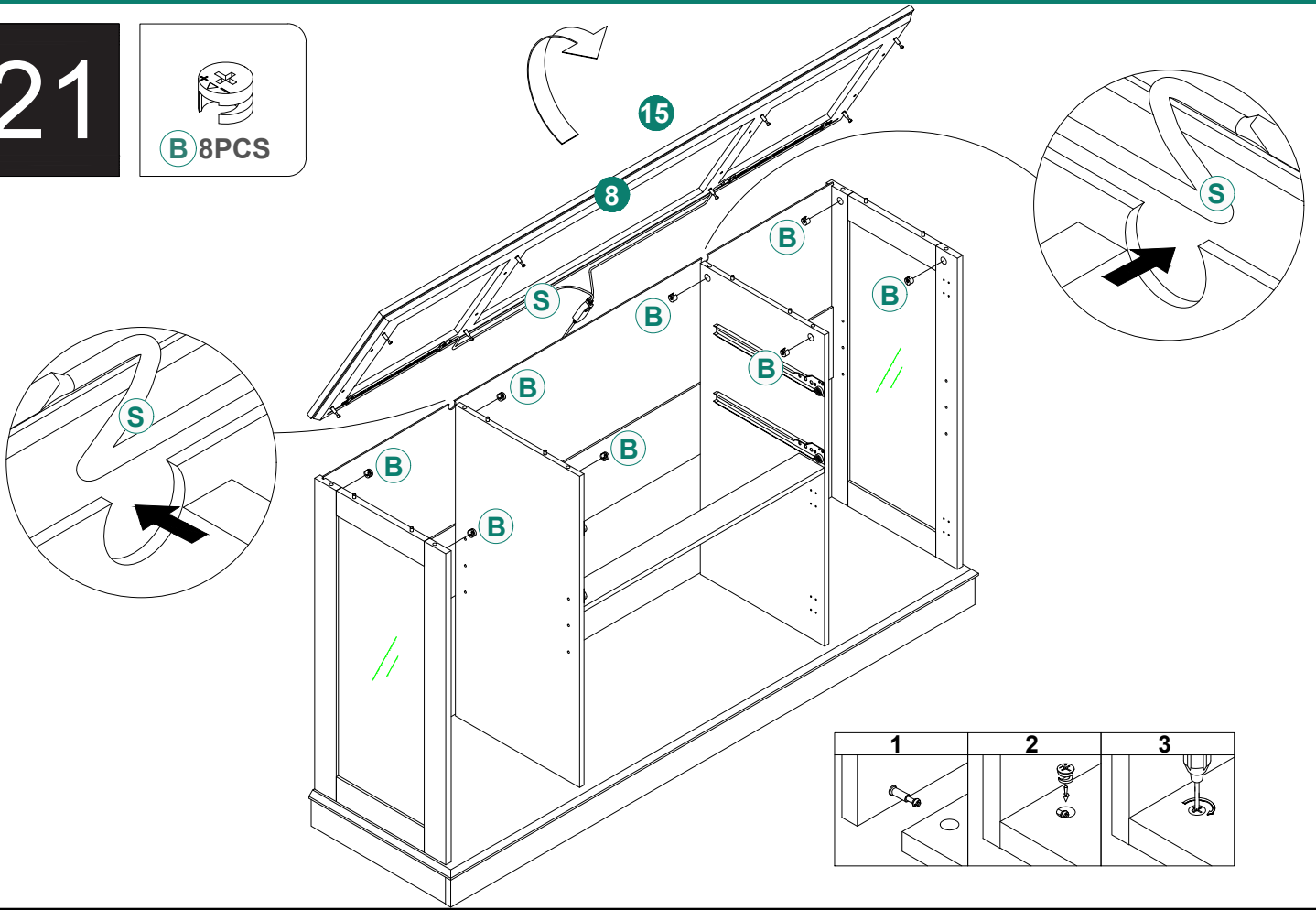
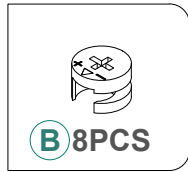


20

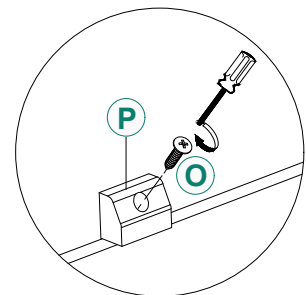
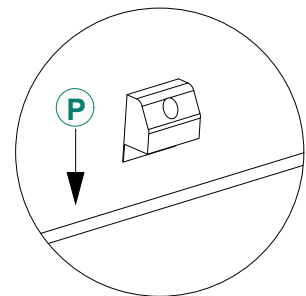
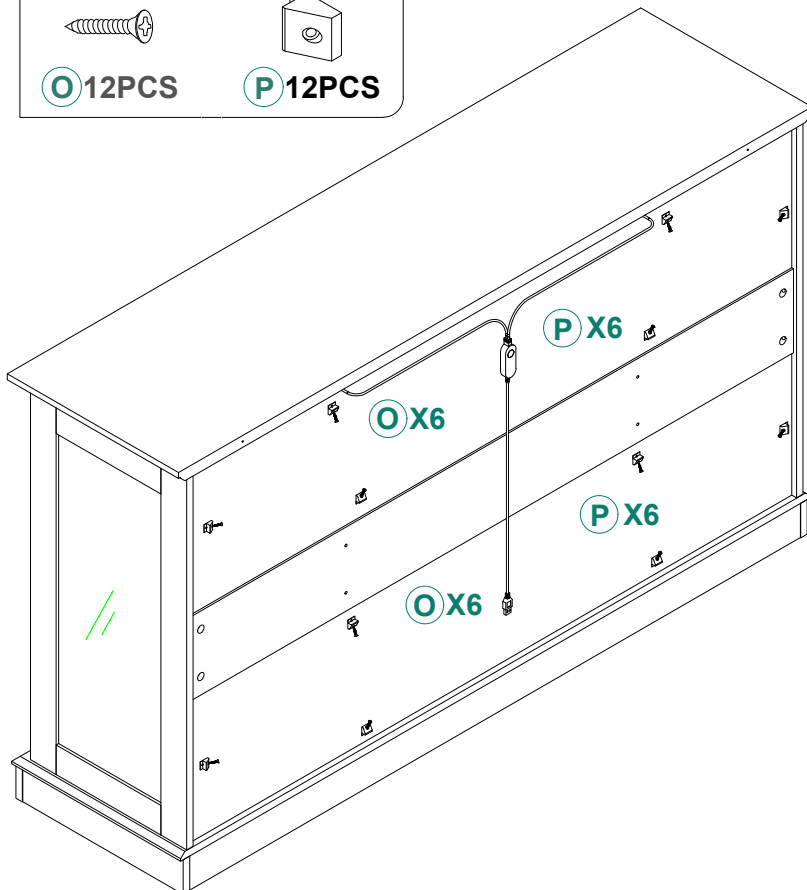
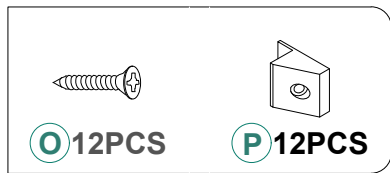


15

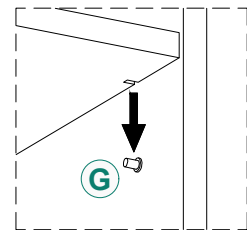
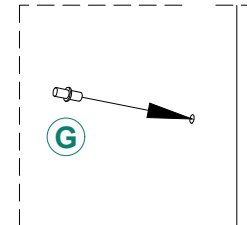
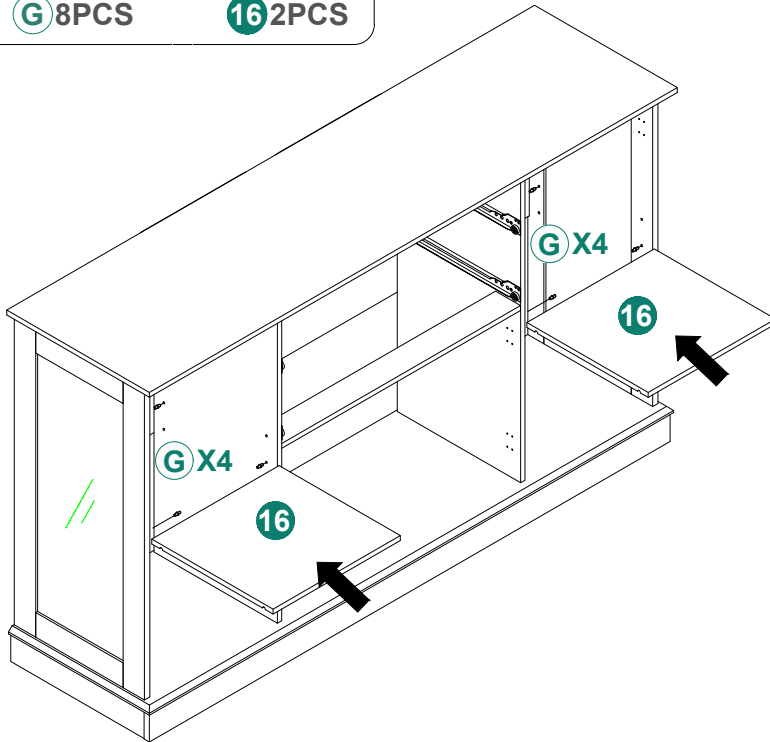
21



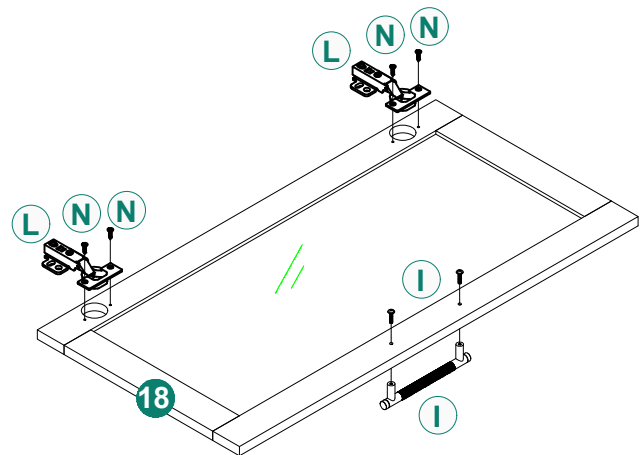
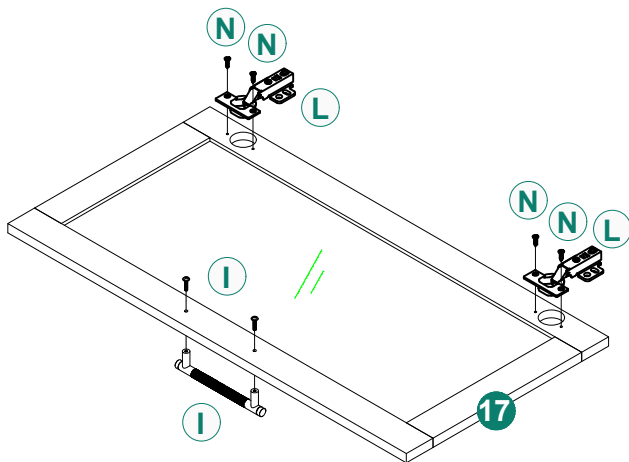
22



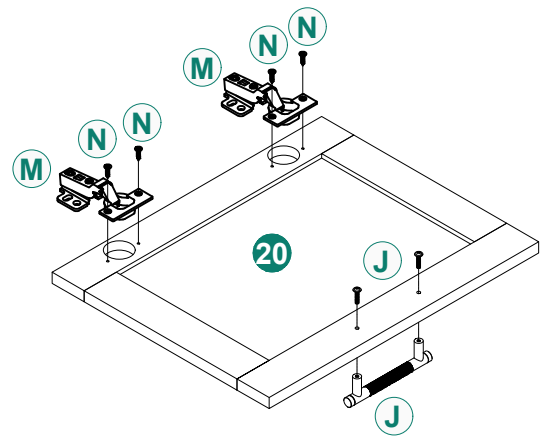
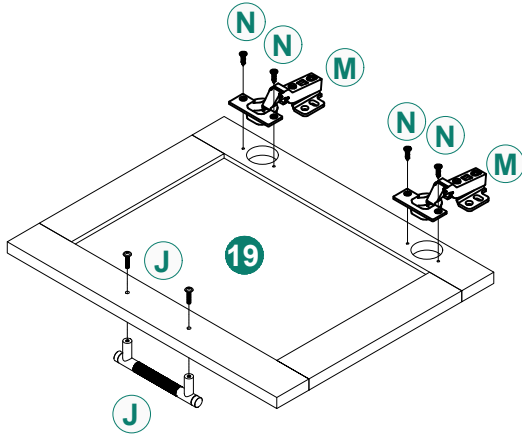
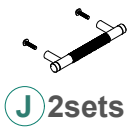
23



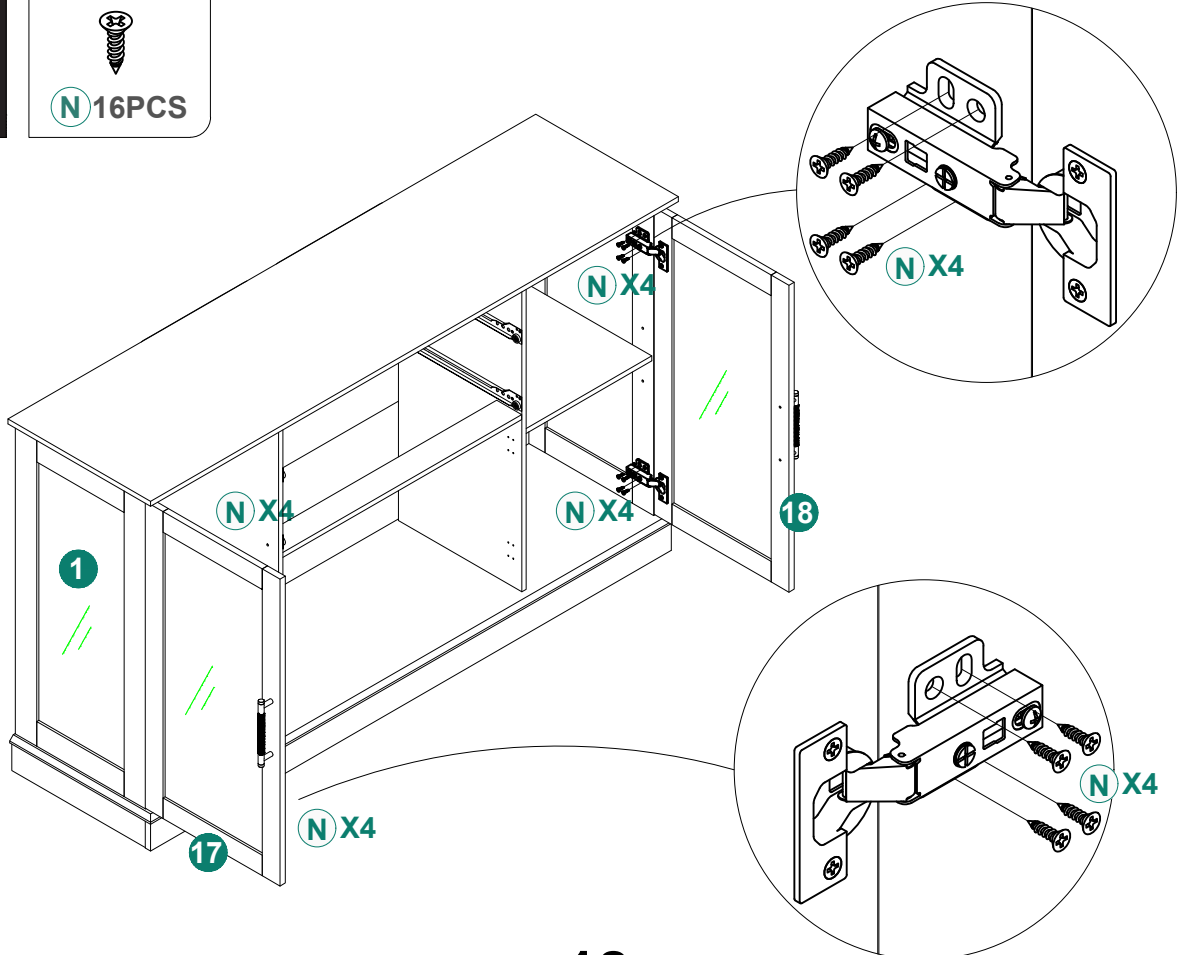
24



25

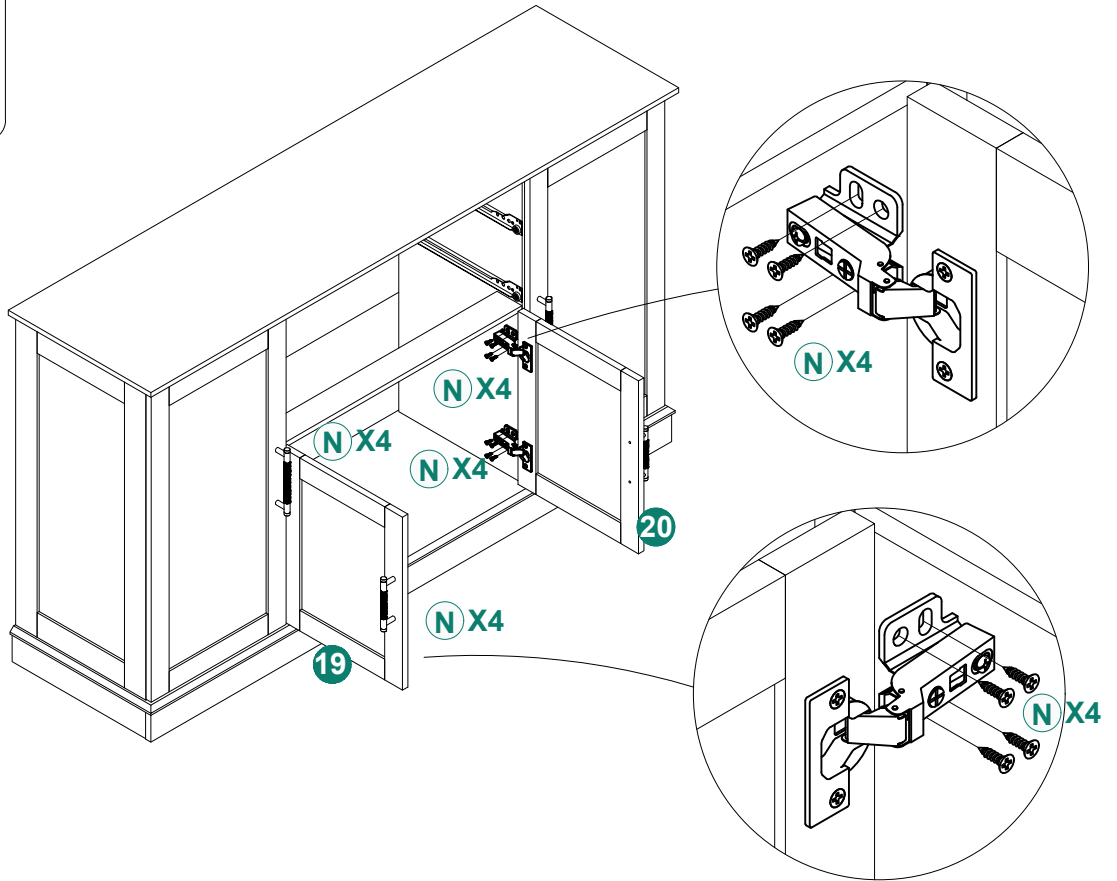


26

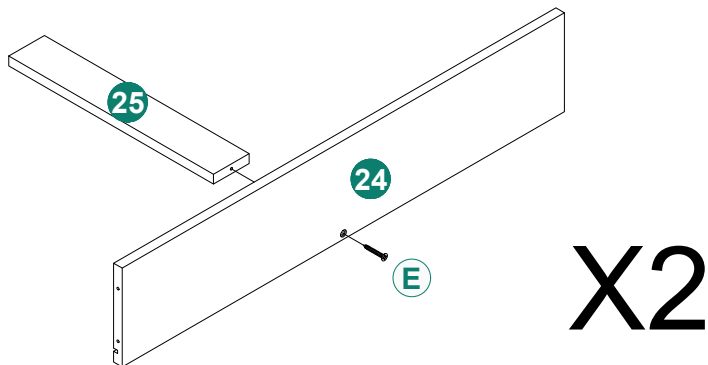
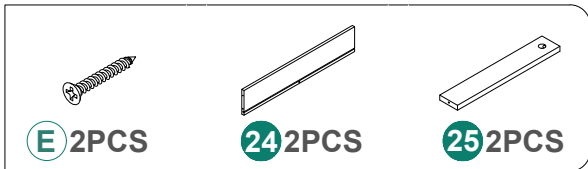


18

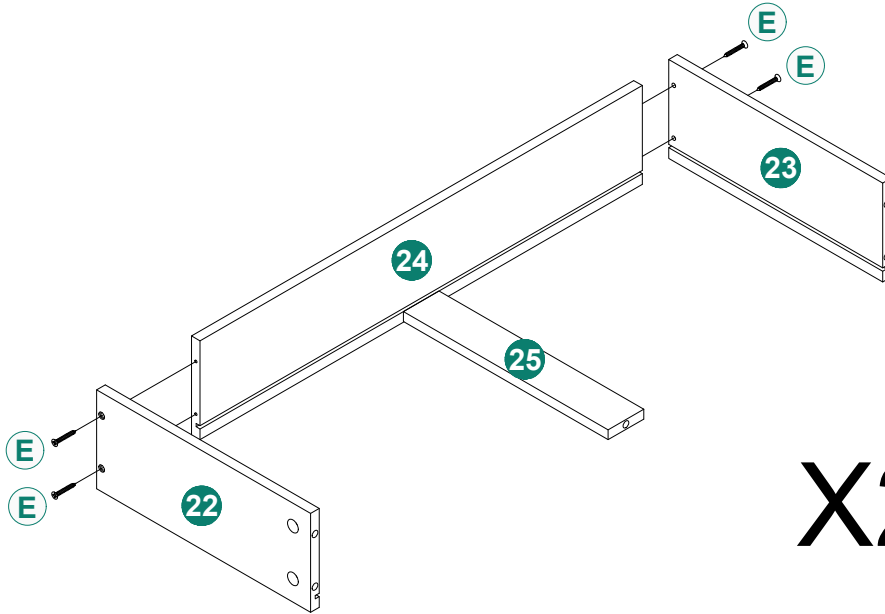
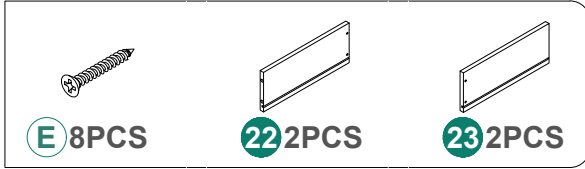
27



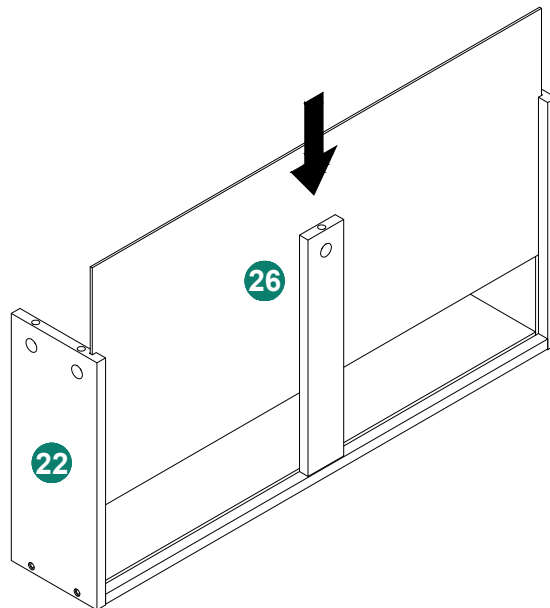
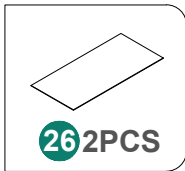
28



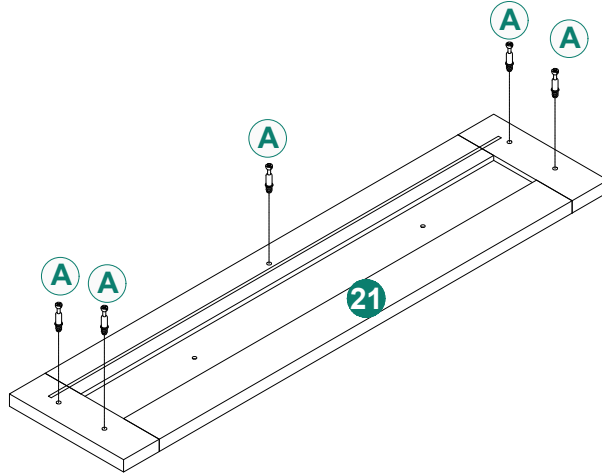
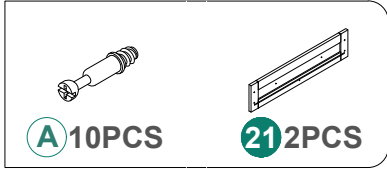
29



30

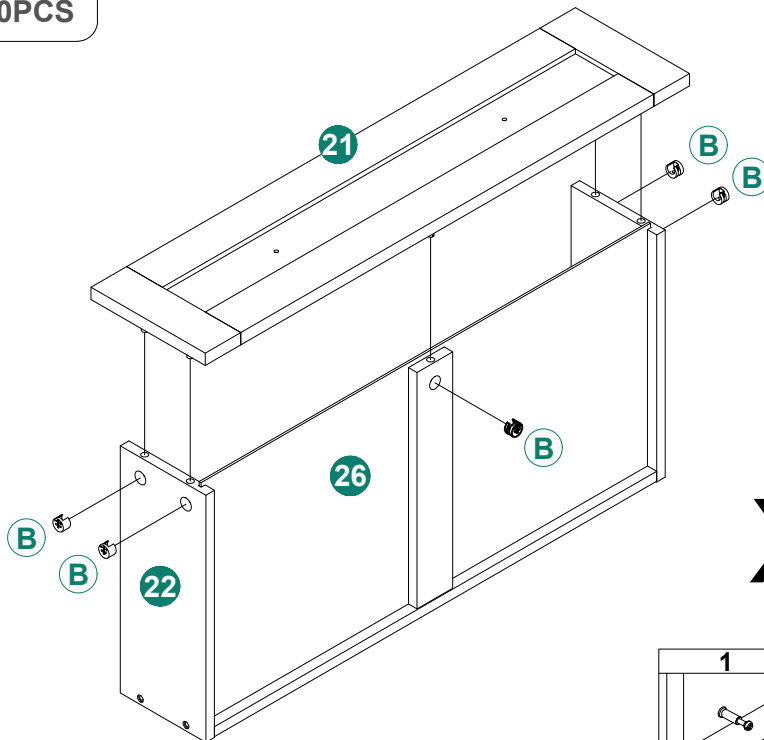
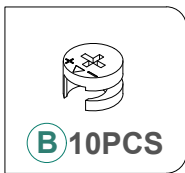


31

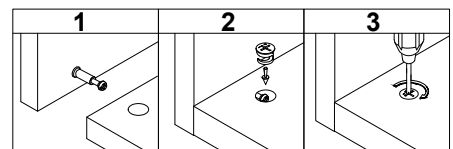


X2

32

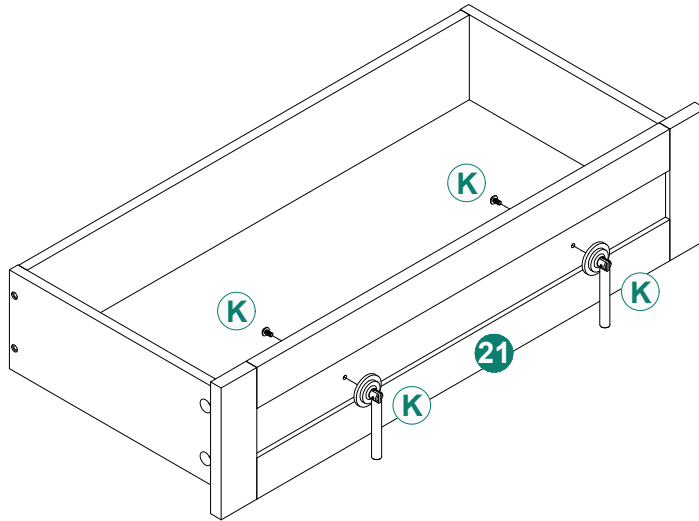
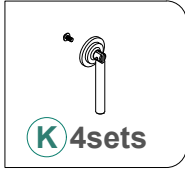


X2



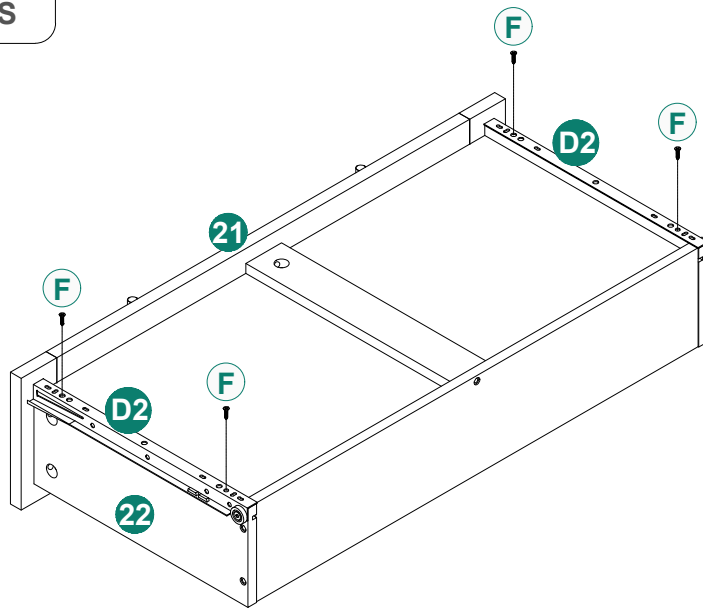
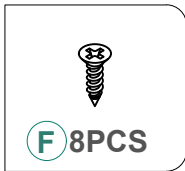
21

33



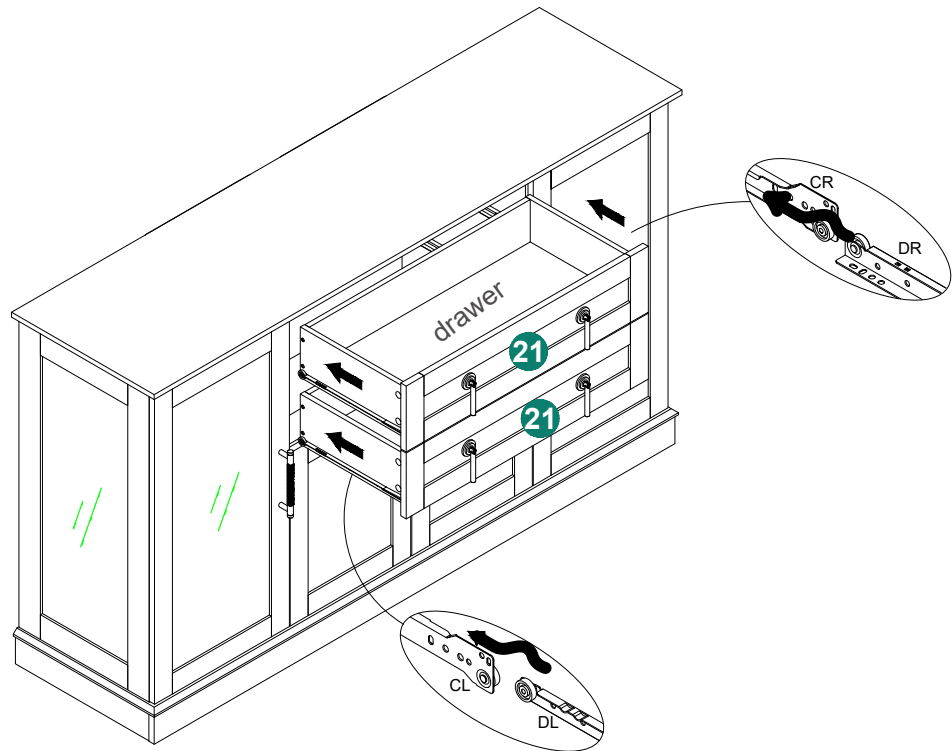
X2

34

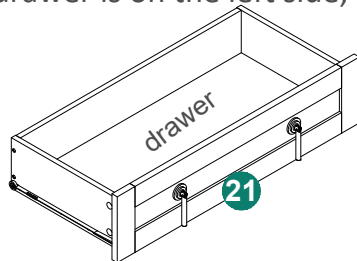


X2

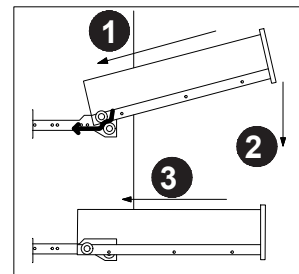
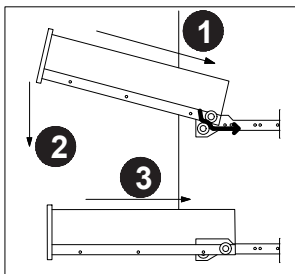
Congratulation! You've made to the last step! But don't be too thrilled yet, put on the drawer can be frustrating if you do it wrong. So, take your time and follow the steps below.



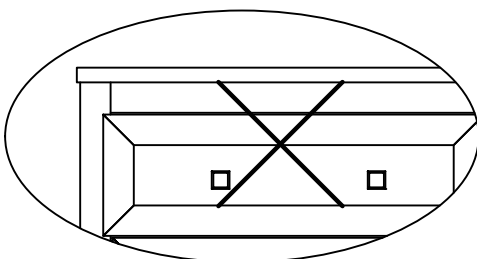
1. Make sure that you have right and left drawers sorted out first, because the drawer panel may cover the side if the right drawer is on the left side, vice versa.



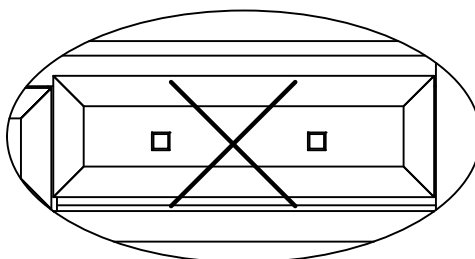
2. Please ensure that you have matched the wheels on BOTH sides of the drawer with the wheels on rails installed BEFORE push in the drawer.



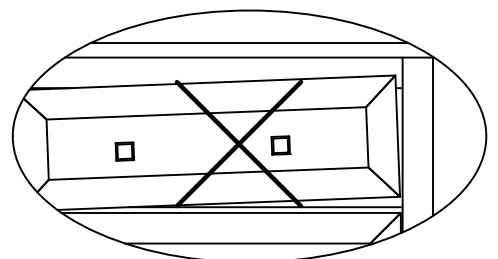
3. If the following occurs, redo the first two steps.



(drawer is on the wrong side)

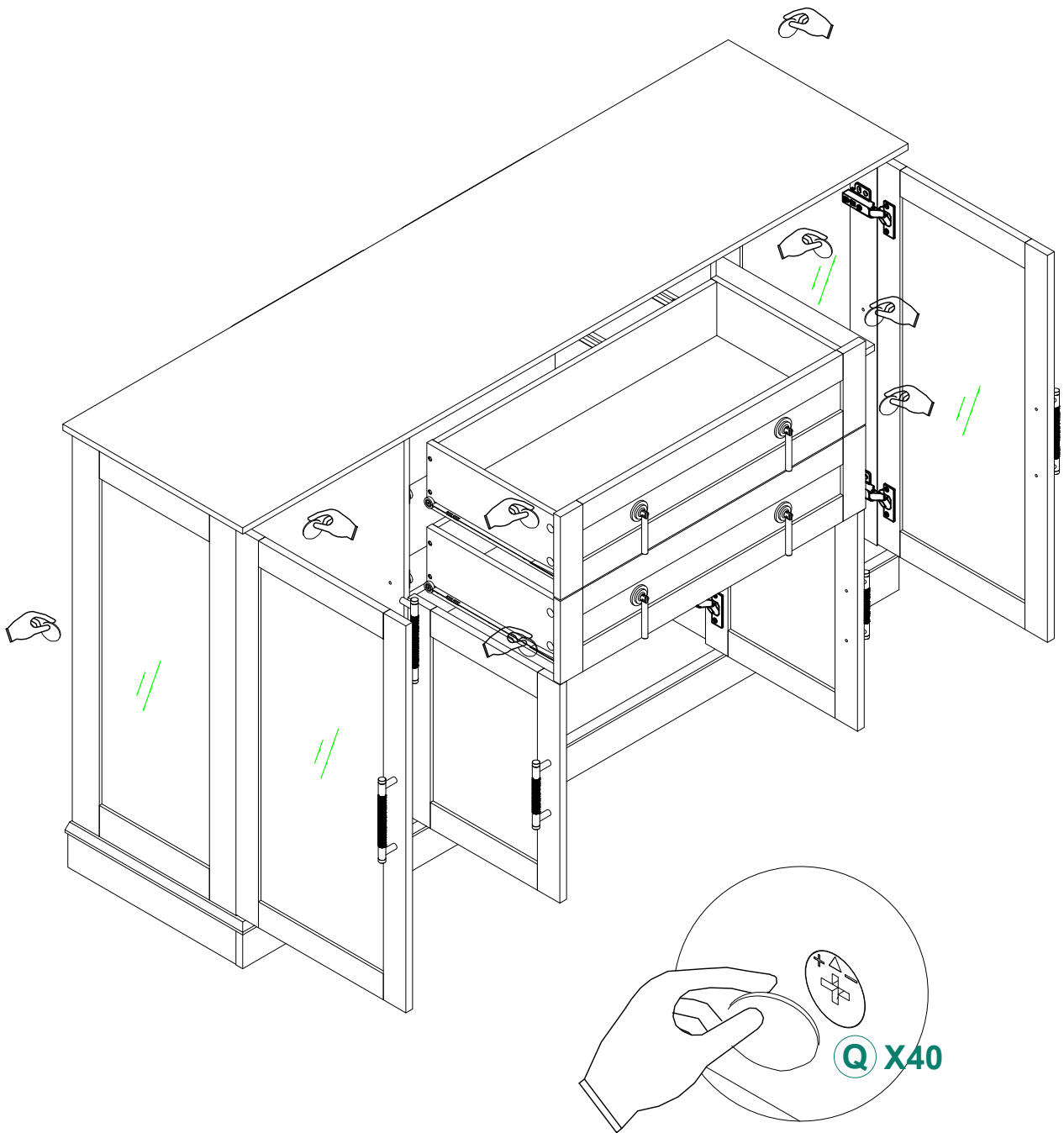


(both wheels are off the rails)

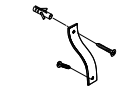


(one wheel is off the rail)

36



37



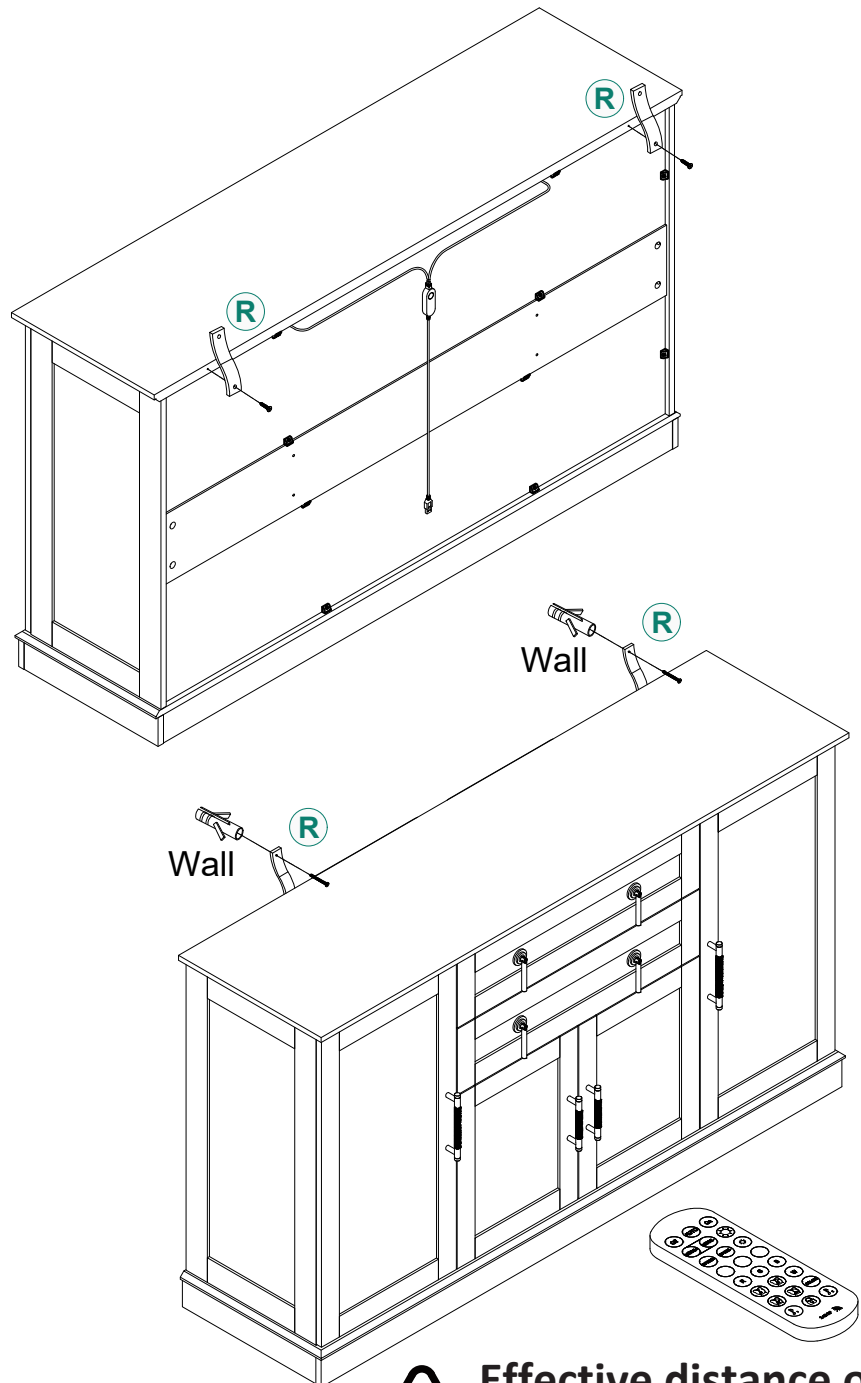
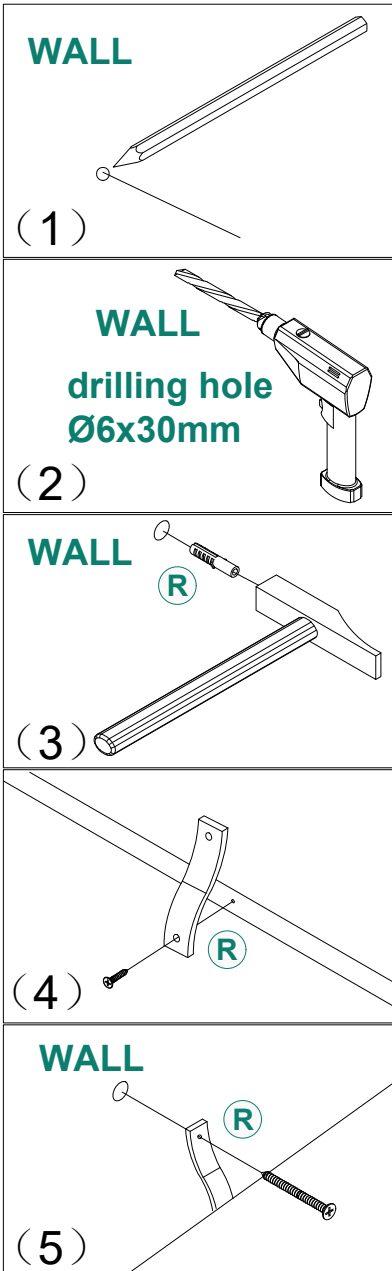
R 2sets



S 1set



DANGER - To prevent furniture from toppling attach, mount, bolt or otherwise secure to walls and floors. Do not put heavy items on top shelves. Do not place unstable furniture near where children play. An anchor kit suitable for plaster walls is included with this item, if you require a different kit consult your nearest hardware store.



Effective distance of light control: within 3 meters

25

Assembly is complete.