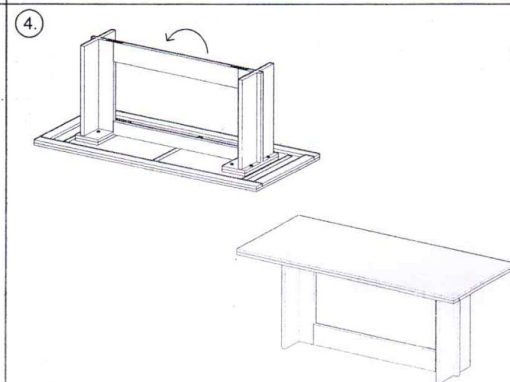
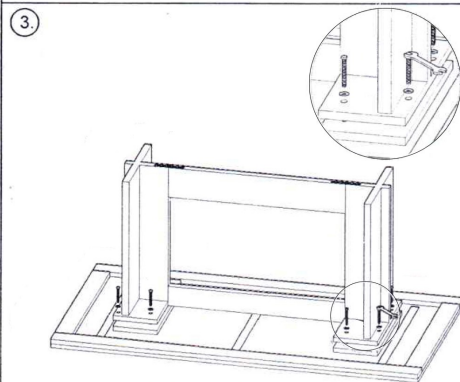
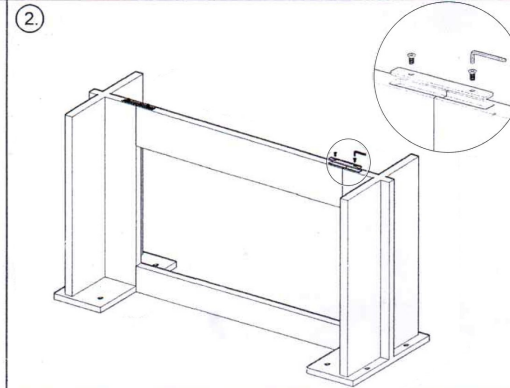
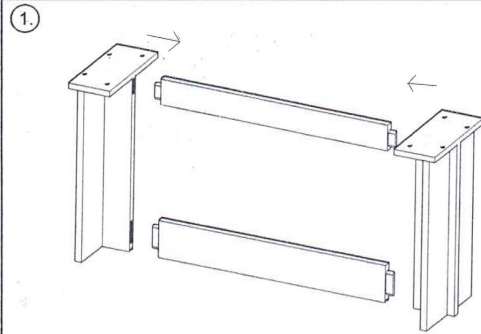
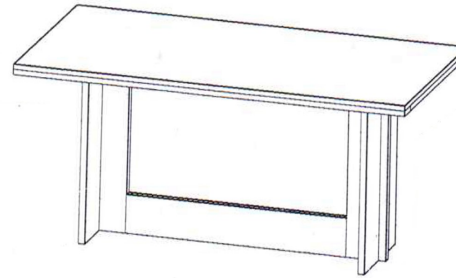


# Assembly Instruction

Product Description: Bar Table

## Hardware and Component List:

No.	Hardware/Components List	Quantity
1.	 Top	1
2.	 Base	2
3.	 Leg Supports	2
4.	 Clip	2
5.	 Allen Bolt	4
6.	 Allen Key	1
7.	 Hex Bolt	8
8.	 Washer	8
9.	 Spanner	1



CAUTION: Please do not over tighten bolts.