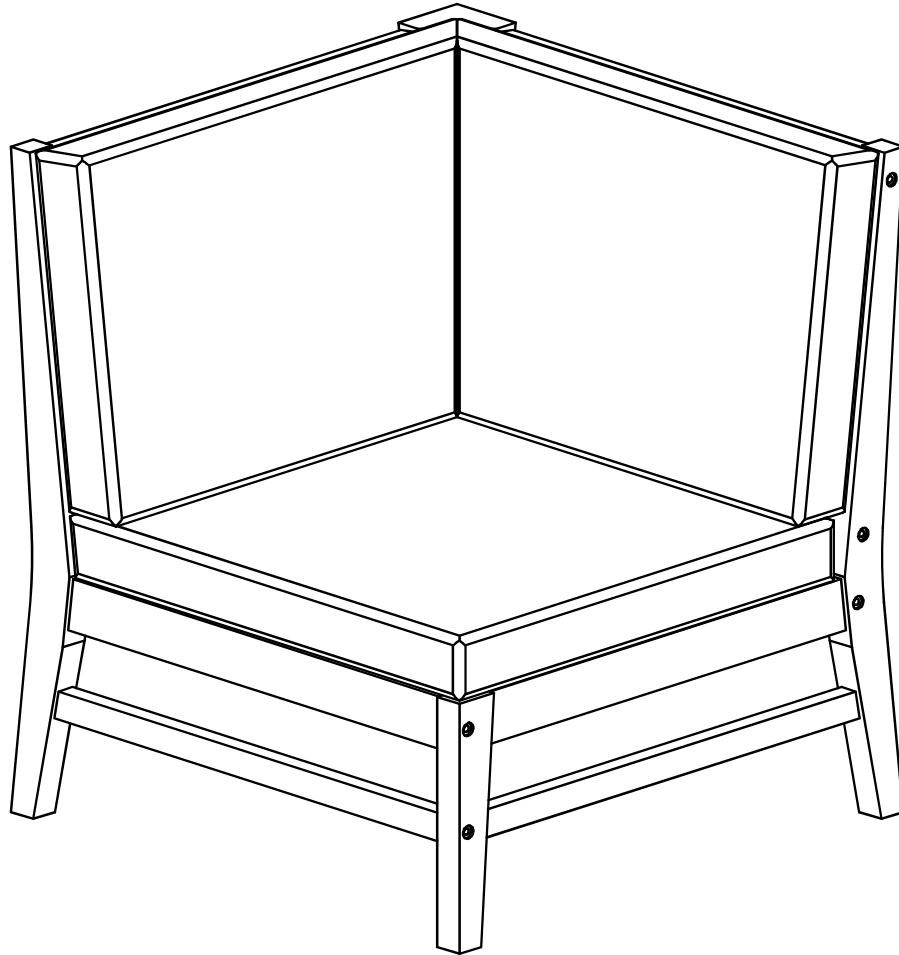


# Assembly Instructions

## CHAIR

**CAUTION:** You must read this before you proceed .

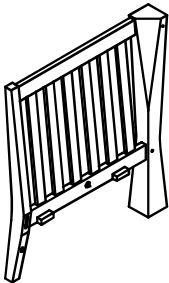
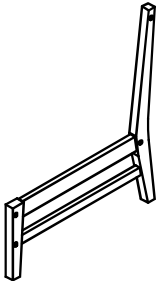
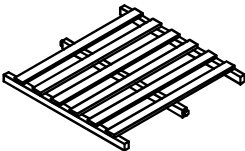

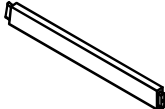
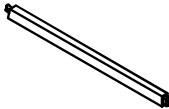
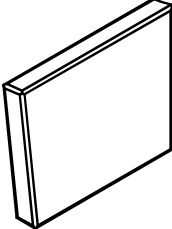
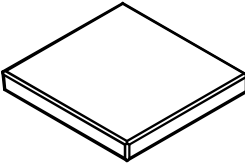


**CAUTION :** This Chair is NOT a TOY.



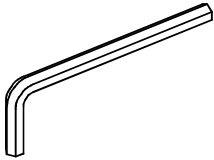
Keep your child / children at bay in the process of assembly.

For turning the Chair and to prevent damage to the Chair, 02 persons may be needed to execute this action.

# Parts List

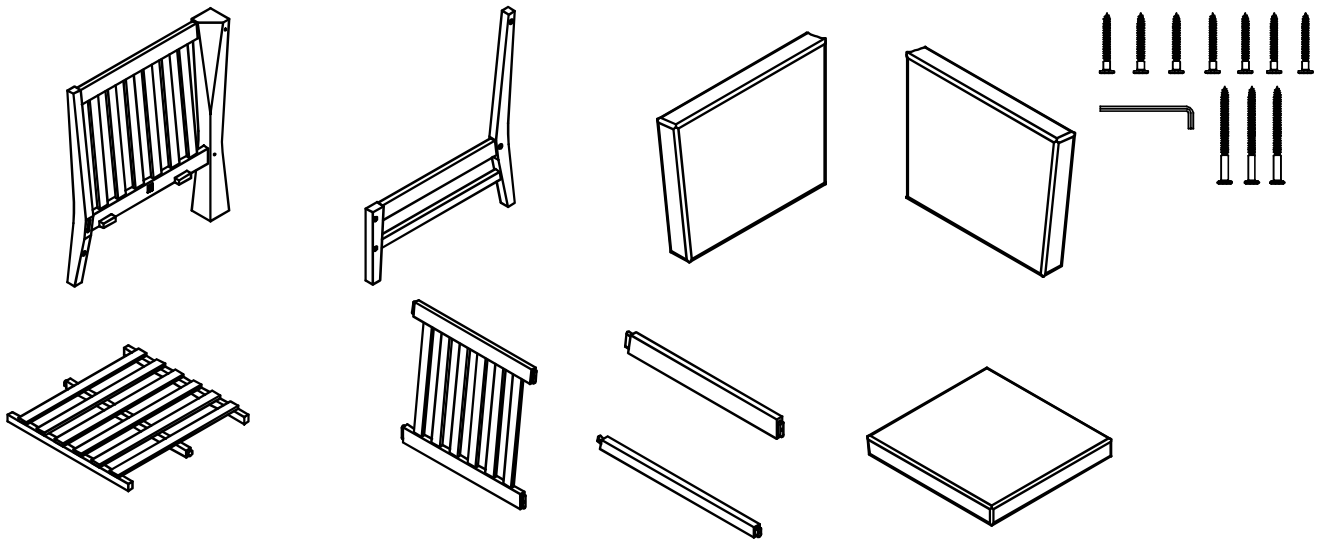
Label	Picture	Description	Qty
A		Left Leg Panel With Pre-installed Leveller	1
B		Rigth Leg Panel With Pre-installed Leveller	1
C		Seat Panel	1
D		Backrest Panel	1
E		Seat Support Bar	1
F		Leg Support Bar	1
G		Backrest Cushion	2
H		Seat Cushion	1

# Hardware

Lapel	Picture	Description	Qty
①		Short Screw (M7*70mm)	7
②		Long Screw (M7*120mm)	3
③		Allen Key	1

# Assembly Preparation

Before Beginning Assembly:



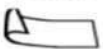
- Read instructions, cover to cover-



- Have 2 adults on hand for assembly-



- Do not assemble on flooring or carpet-



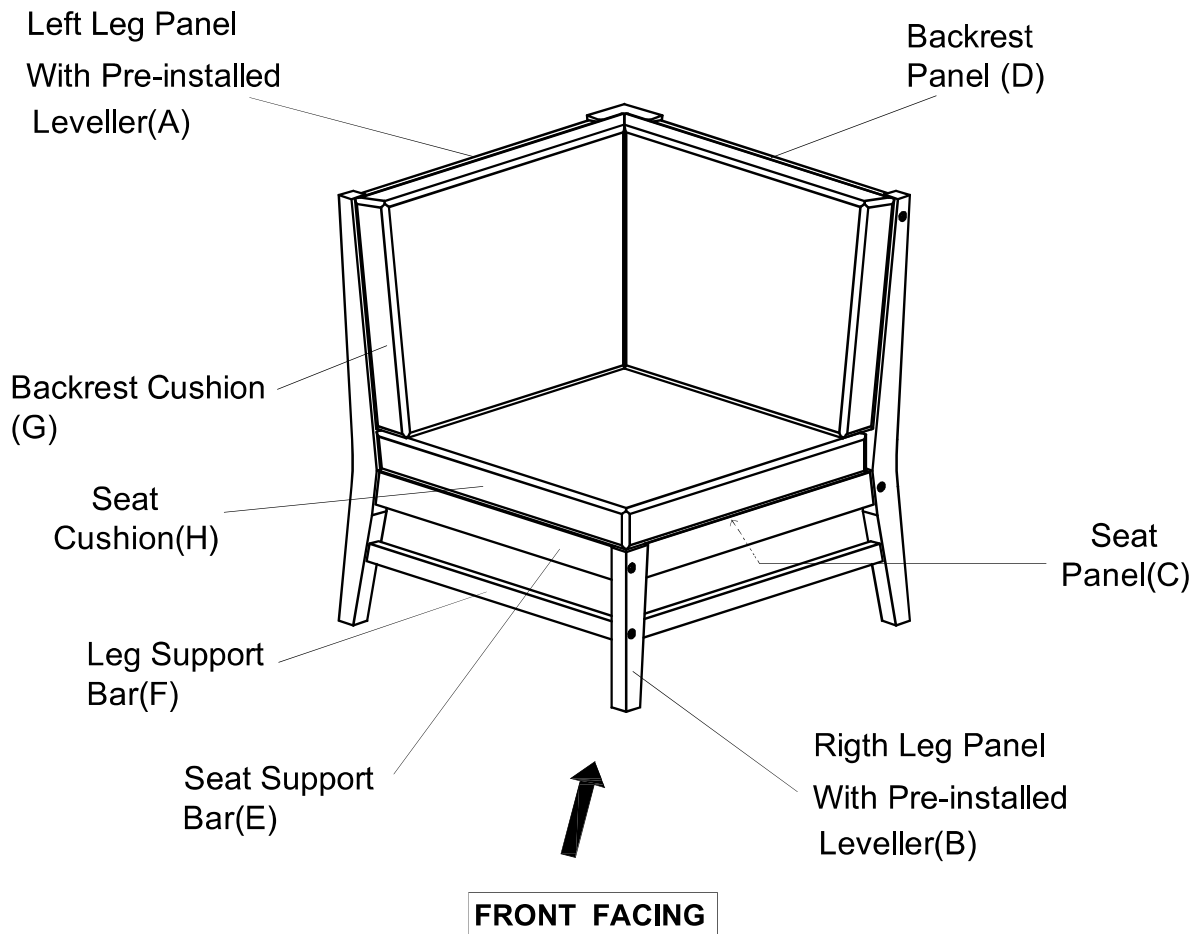
- Assemble on a clean non-marring surface (packing foam)-



- Save all packaging until finished-

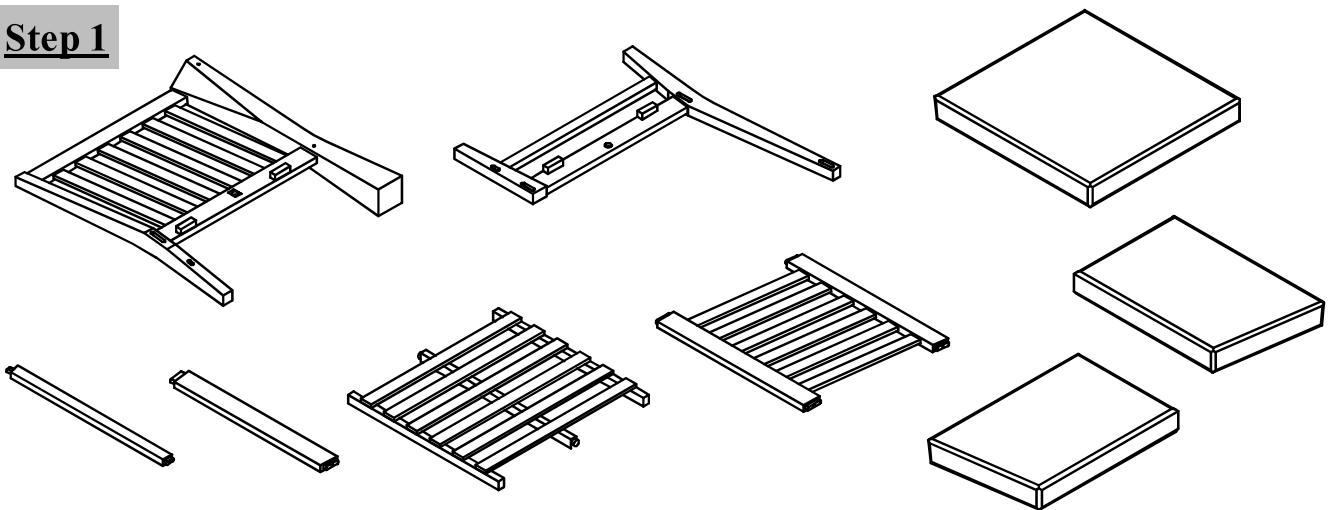
# Assembly Steps

## OVERVIEW



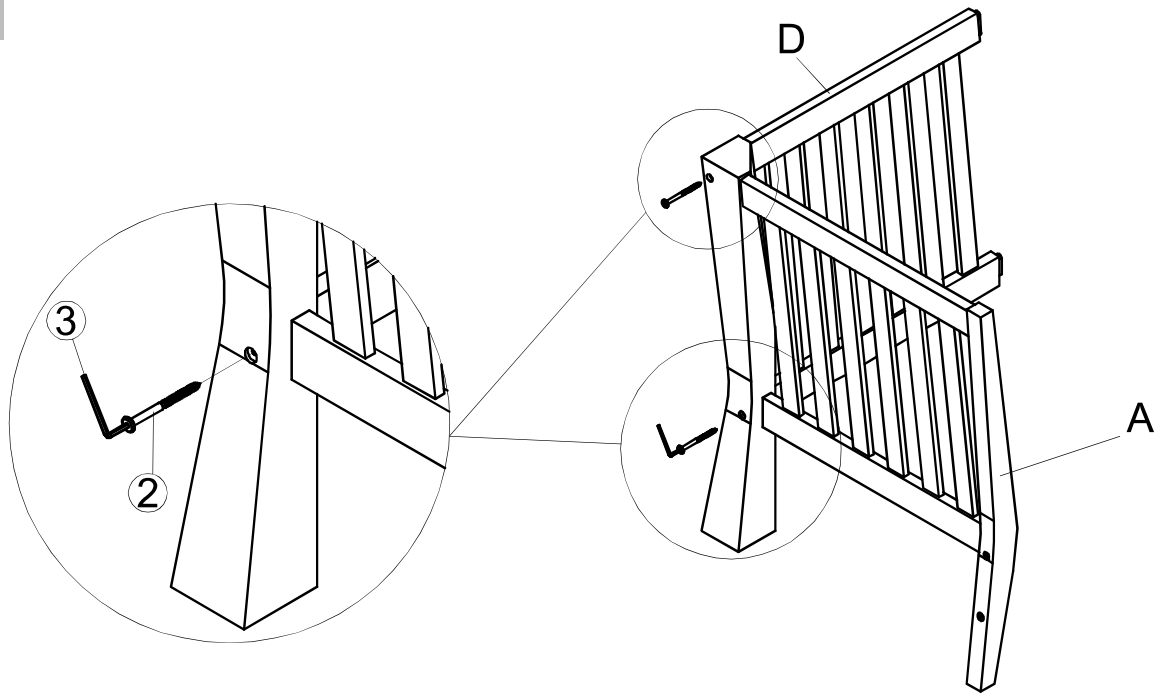
This Chair has multiple parts and may require up to 30 minutes to assemble. To give you an overview of the Chair parts, the above picture is to help you put the various parts into perspective. Please read through the instructions below to familiarise yourself with the parts and steps before assembly.

## **Step 1**



Unpack and place all parts on a clean, non-marring surface.

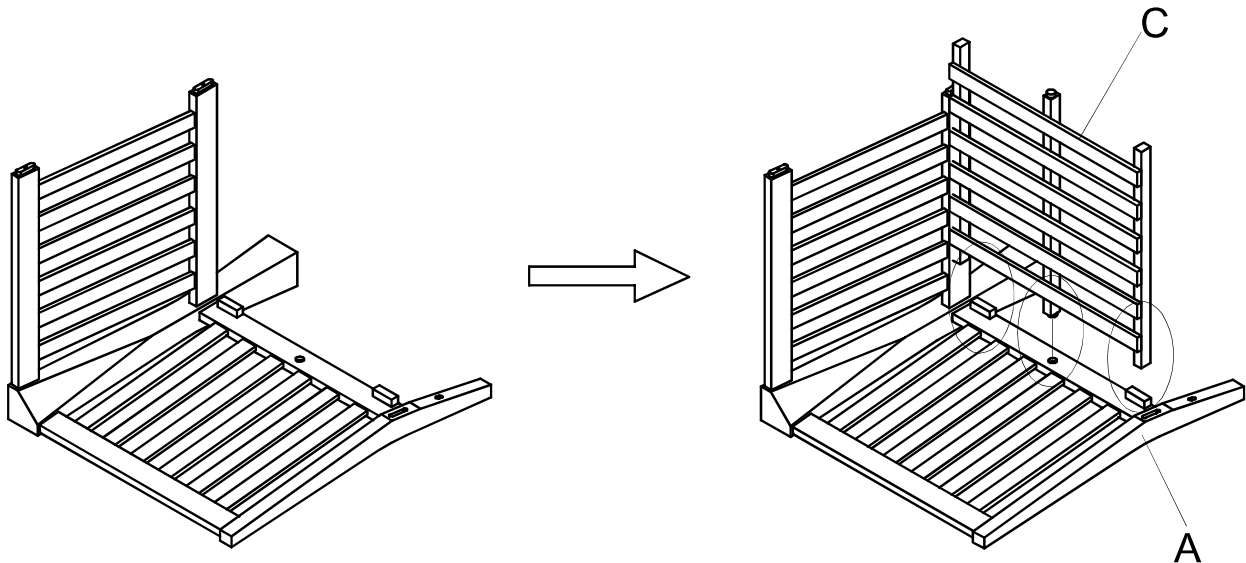
## Step 2



Attach Backrest Panel (D) to Left Leg Panel With Pre-installed Leveller (A), secure by using Screw (2) with Allen Key(3)

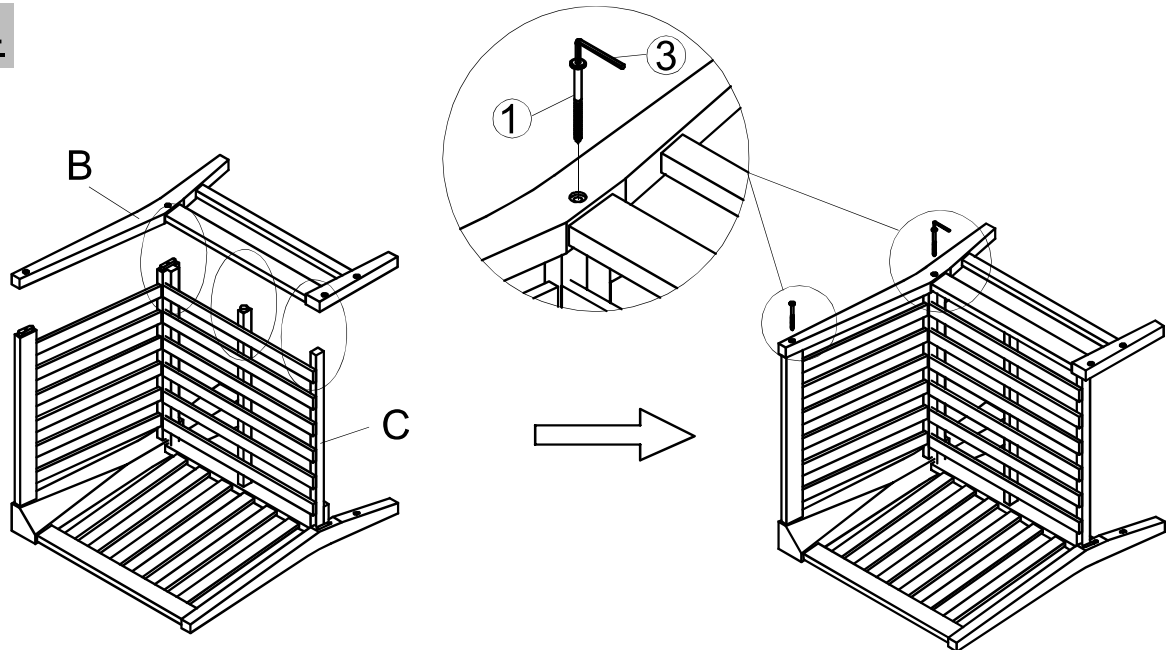
**Do not fully tighten the Screws.**

## Step 3



With assistance from your adult partners, lay down the Chair  
Attach mortise of Seat Panel (C) to tenon of the Left Leg Panel With Pre-installed Leveller (A)

#### **Step 4**

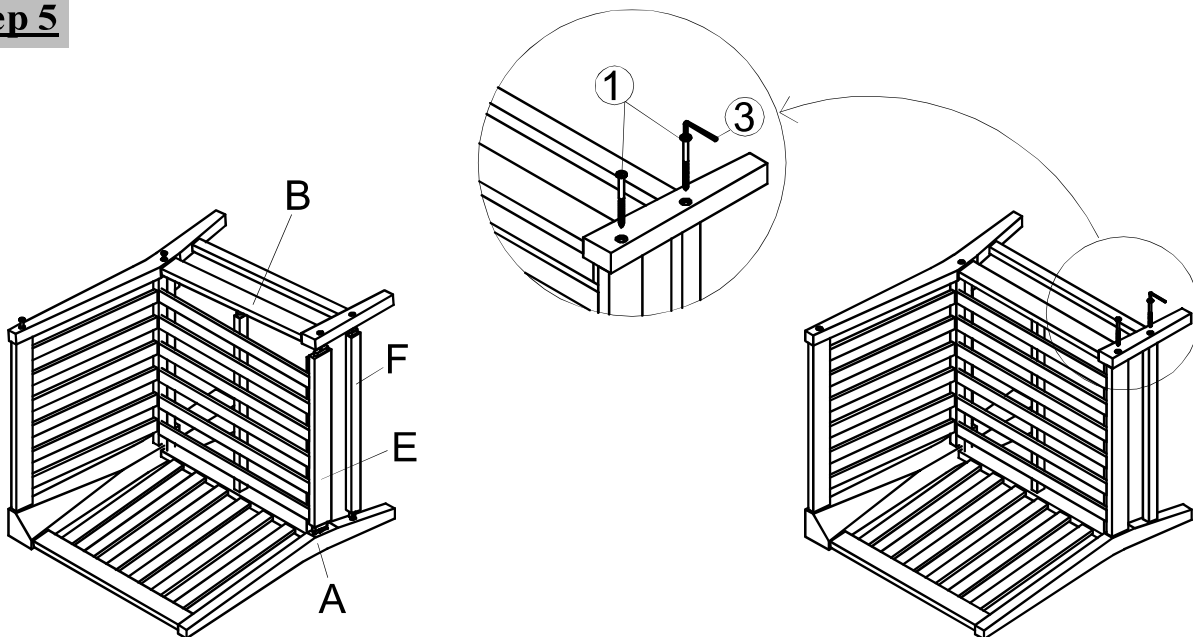


Attach mortise of Right Leg Panel With Pre-installed Leveller (B) to tenon of the Seat Panel (C)

Secure by using Screw ( ① ) with Allen Key(③)

**Loosely tighten the Screws**

#### **Step 5**

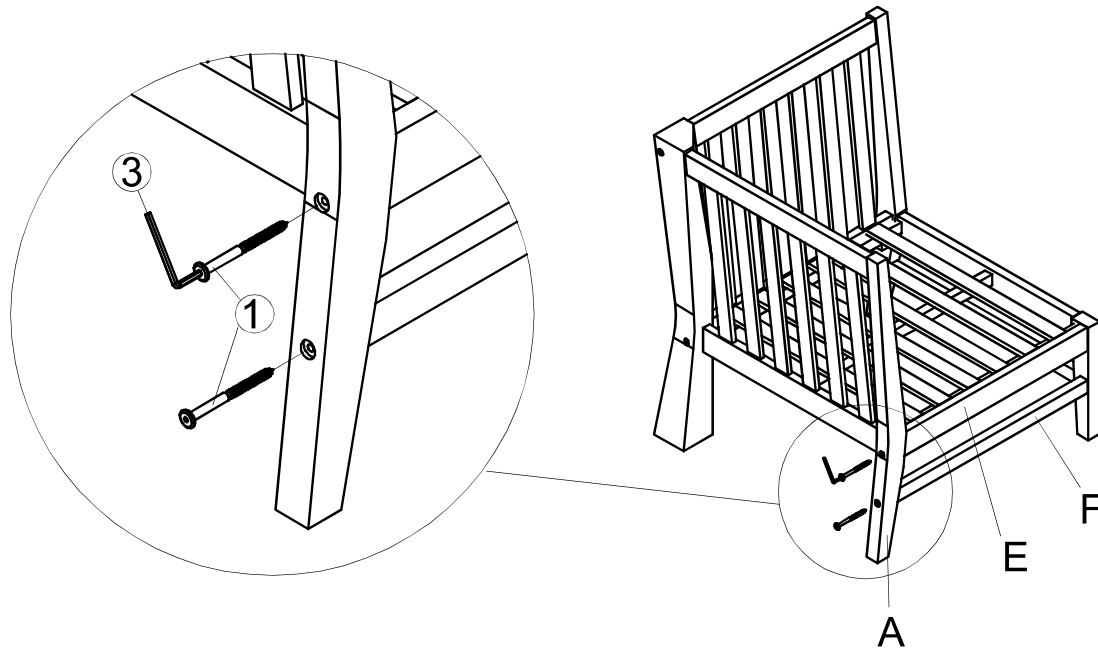


Insert Seat Support Bar (E) and Leg Support Bar (F) to Left Leg Panel With Pre-Installed Leveller (A) and Right Leg Panel With Pre-installed Leveller (B)

Secure Right Leg Panel With Pre-installed Leveller (B) to Seat Support Bar (E) and Leg Support Bar (F) by using Screws ( ① ) and Allen Key ( ③ )

**Do not fully tighten the Screws.**

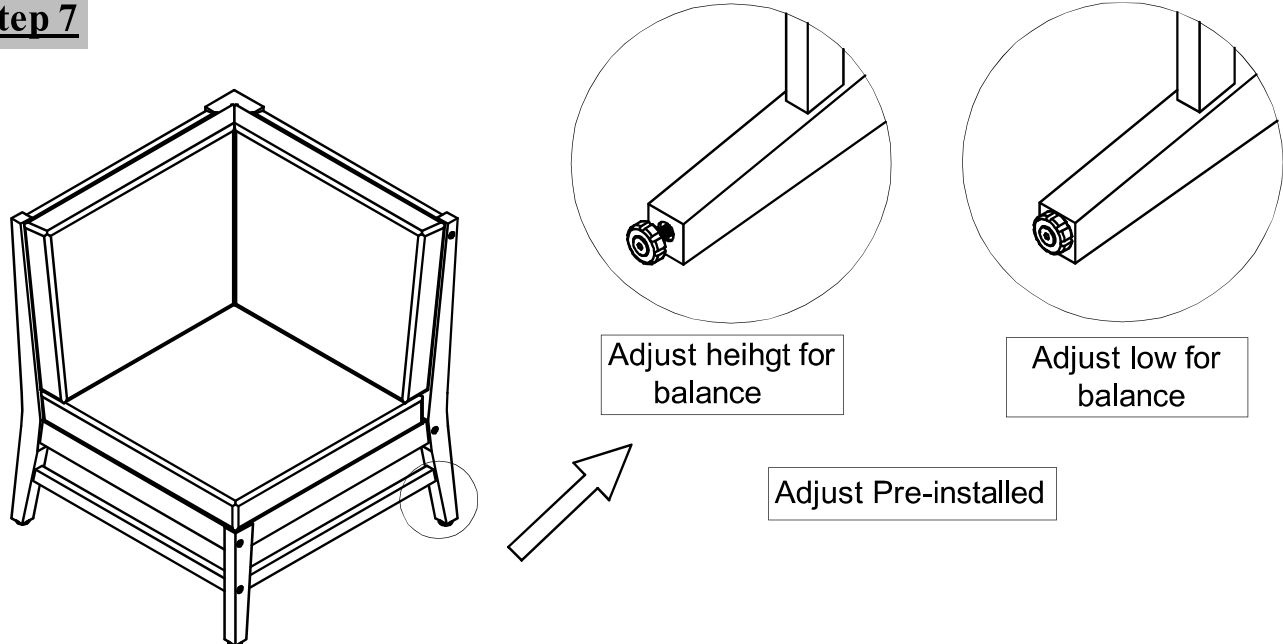
## Step 6



With assistance from your adult partners, turn the Chair right side up  
Secure Seat Support Bar (E) and Leg Support Bar (F) to Left Leg Panel With Pre-  
installed Leveller (A) by using Screws ( ① ) and Allen Key ( ③ )

**Do not fully tighten the Screws.**

## Step 7

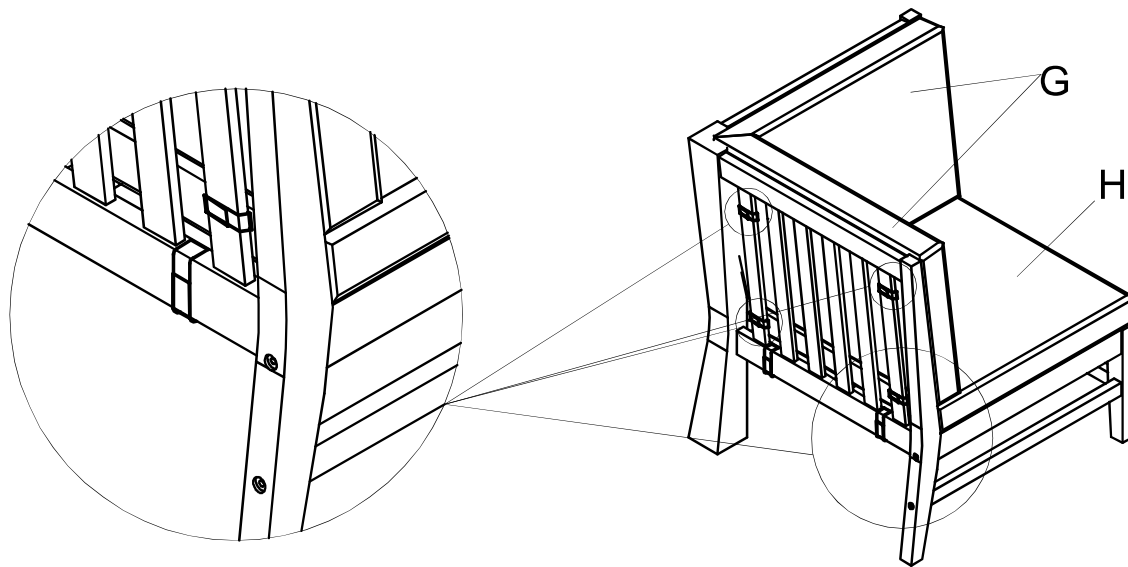


Inspect the Chair and make sure all parts are adequately connected.

In a sequential manner, tighten all Bolts and Screws at all joints

With assistance from your adult partners, adjust the Levellers to desired  
height to avoid wobbles

## Step 8

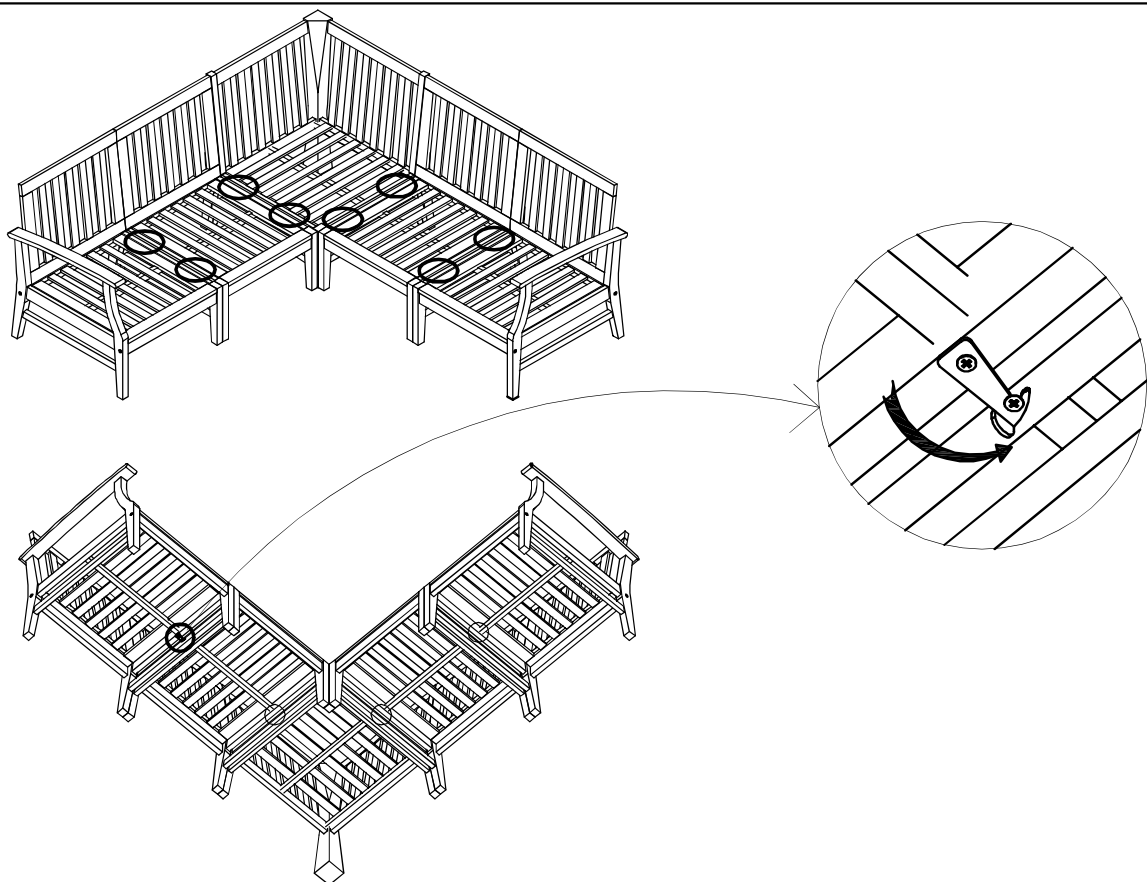


Place Seat Cushion(G) and Backrest Cushions (H) on to the Chair using the velcro straps as shown above.

Your Chair is ready for use.

**This Chair can only be used on a flat, level surface.**










## Step 9



**Note: This is optional step in case we want to connect all chairs in a set together and should be done before placing cushion**

With assistance from your adult partners, up side down the chairs and using pre-fixed clip ti connect the chairs together

## Care & Maintenance

-  Do not put hot items directly on furniture surface
-  Do not clean furniture with harsh cleansers or polish.
-  To obtain the longest lifespan of your outdoor products, minimizing exposure to direct sunlight is recommended.
-  Children should not climb or jump on the furniture.
-  Do not write on furniture without a padded barrier to protect the surface.
-  To obtain the longest lifespan of your outdoor products, avoid extended and lengthy exposure to rain, snow, and direct sunshine. Whenever possible cover the product and /or place under patio or awnings.
-  Not for commercial use. For residential use only .
-  Stains may be removed with mild soap solution and damp cloth.
-  Dust and pick-up spills using a clean, non-colored, lint-free cloth.