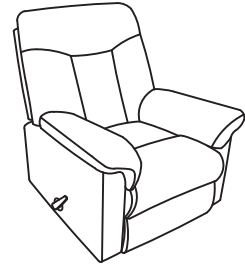


# Recliner Assembly Instructions

Your recliner comes packaged in one box.




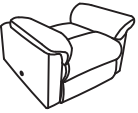




**DO NOT** use any sharp objects to open plastic wrapped components as damage to product or components may result.

Carefully remove all of the components from the packaging and set aside for assembly. Assemble on a soft surface to prevent scratching the finish.



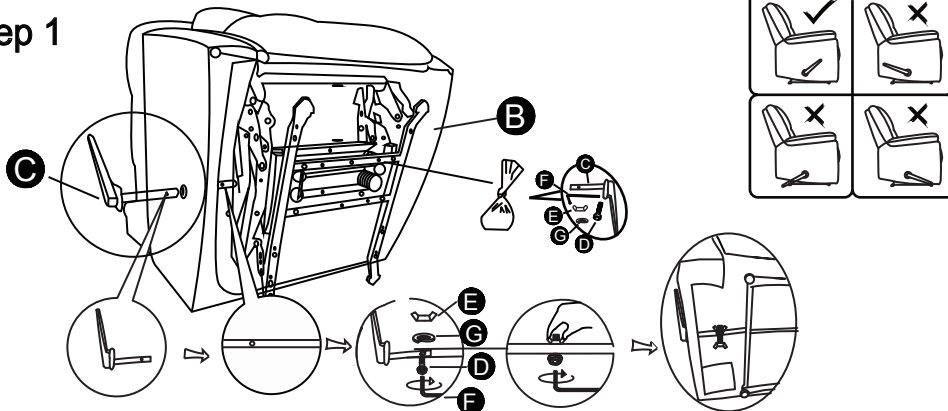
## Parts List

## Hardware List

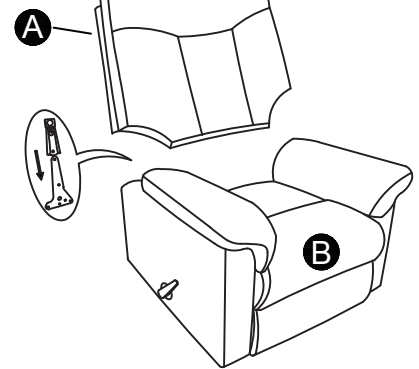
<p><b>A</b> 1 x Seat Back</p> 	<p>* <b>D</b> 1 x Bolt</p>  <p>M 6 X 30mm</p>	<p>* <b>G</b> 1 x Lock Washer</p>  <p>M6</p>
<p><b>B</b> 1 x Seat</p> 	<p>* <b>E</b> 1 x Wing Nut</p>  <p>M6</p>	<p>* Replaceable Parts</p>
<p>* <b>C</b> 1 x Handle</p> 	<p>* <b>F</b> 1 x Hex Key</p>  <p>M6 x 80mm</p>	<p> Hardware bag can be found under the seat</p>

## Assembly

### Step 1



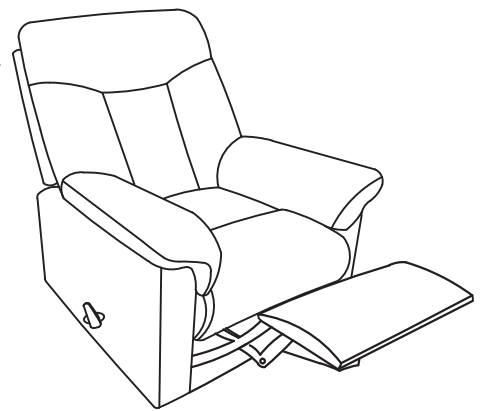
### Step 2



### Step 3



Please note the handle is used to release the foot rest. Use your arms to recline all the way back. To close, please use your legs to push the foot rest down.



Your recliner style may differ from images. Care for your furniture by periodically tightening all bolts using the included hex key.

**CAUTION:** Tighten all components securely before use. Failure to do so may result in personal injury.

About your furniture piece:

- Softening of foam is natural and will happen over time with use.
- Fabric will fade or discolor in direct sunlight. Minimize exposure to direct sunlight to extend the life of your furniture.
- Wood grain, knots, streaks, and color variation occur naturally in wood and are not considered defects.