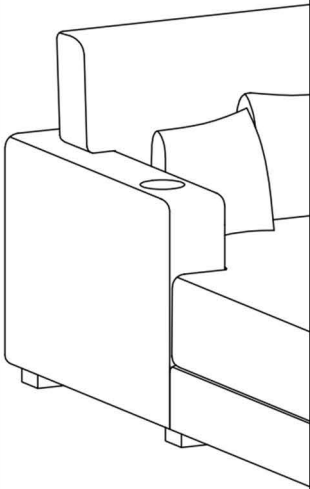


Owner Manual



WARRANTY

We strive to offer high quality product and we also try our best to satisfy each customer that order from us, no matter on products or services as needed. Each customer receives a record of their order, such as the order number or item receipt. For any items that are out of warranty period, you may still be able to purchase the replacement parts from our company if they are available.



MAINTENANCE AND WARNING

Please read the manual thoroughly
before you start installing.

Please keep the product away from
sharp object.

Packaging and small parts may have
chocking hazard, please keep them away
from children and pets.

Please clean the product according to each
clean code, check the product description
for more information.

Please keep the product away from
fire.

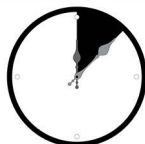
If you have any other questions, please
contact us, we will be glad to help you out.

If the product is placed under direct
sunlight, the pattern or color might fade
away overtime.

Check the product periodically to make
sure everything is secured and tightened.

Always use proper tools for installation.

Do not jump on the product.



Around 35 min

PRODUCT DESCRIPTION

This sofa is finished with silky cotton flannel upholstery that delivers both luxurious style and a warm, inviting seating experience.

Reinforced with a durable frame of solid wood and metal, it offers strength and stability for long-term reliability.

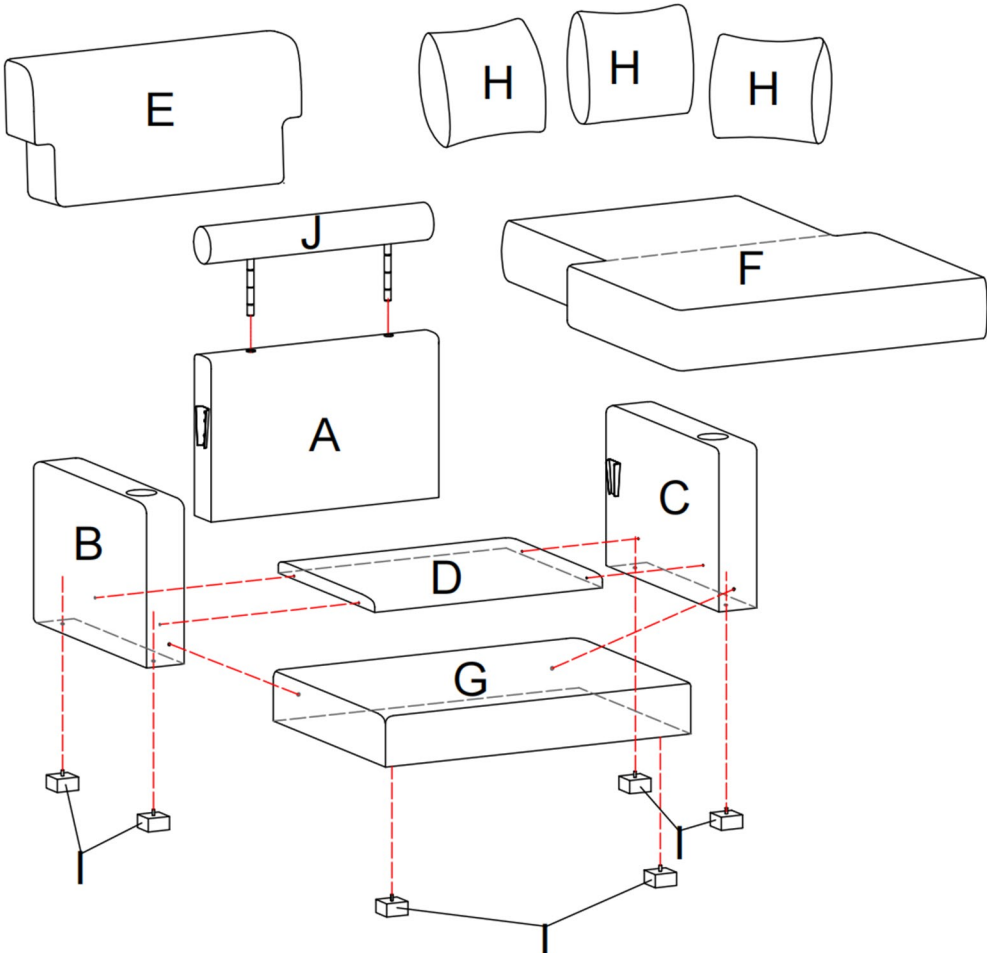
Seat cushions are filled with foam sponge and pocket springs, maintaining consistent comfort without losing shape over time.

The chaise-style design extends the seating area, offering more room to relax compared with traditional sofas.

Includes three matching pillows for added comfort, and dual armrest cup holders that bring convenience to your lounging experience.

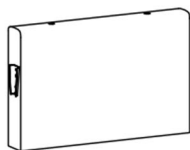
EXPLODED VIEW


The product's left and right are determined by sitting posture



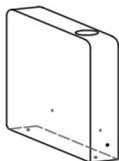
PARTS

A*1



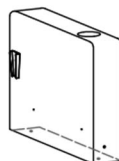
Backrest

B*1



Right arm

C*1



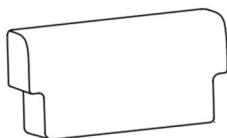
Left arm

D*1



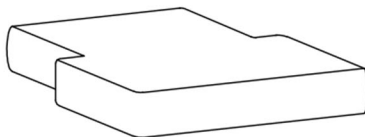
Seat board

E*1



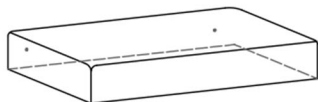
Back cushion

F*1



Seat cushion

G*1



Seat frame

I*6



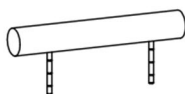
Legs

H*3



Pillow

J*1



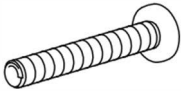
Headrest

HARDWARE

TOOL LIST

NOTE: Designated with (★) We provide additional spare parts in the hardware package

①*6



★ M6*60mm
Bolt

②*6



★ Flat washer

③*1



Allen key

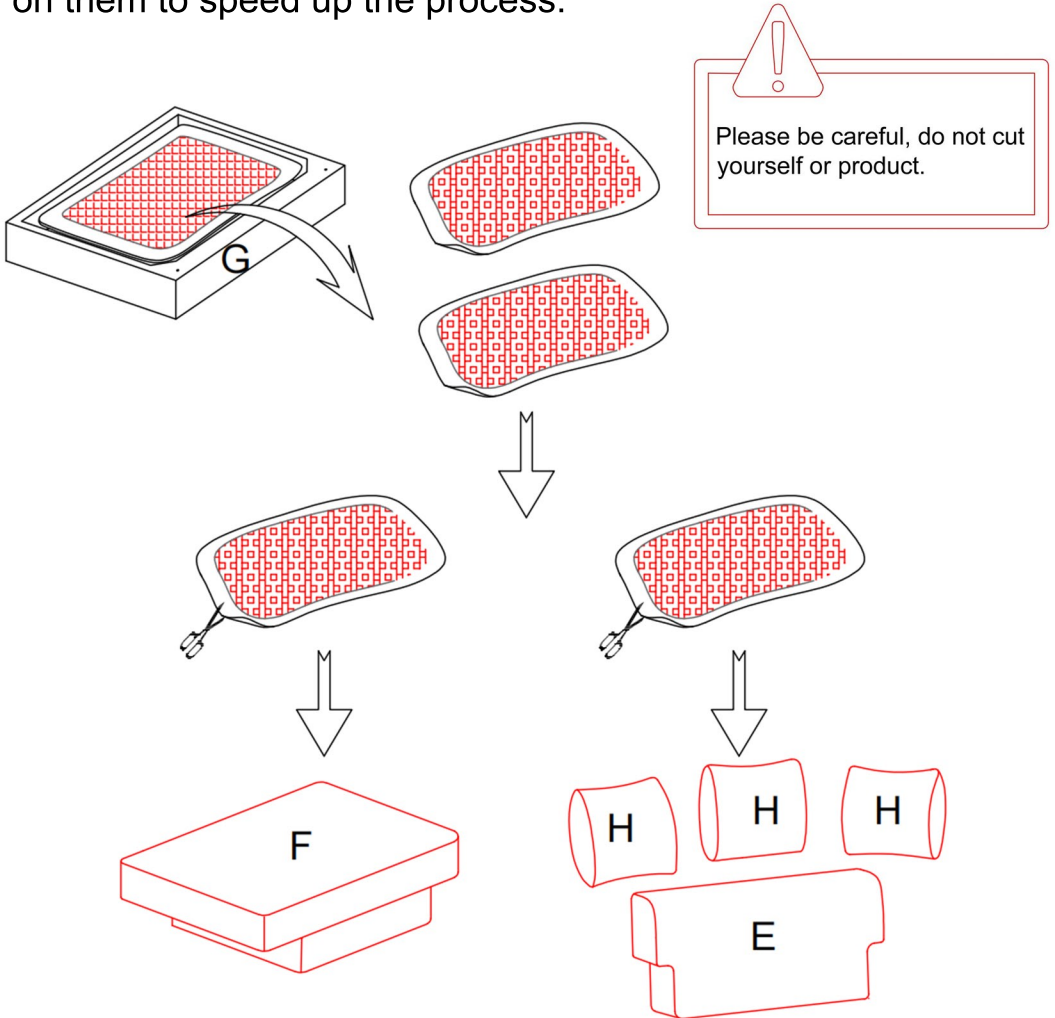
Please make sure all hardware & packing material fitting the list. Especially some small accessories may be missing during transportation. Please contact us if you have any question.

step 1

Take out the plastic air compression bags from the seat frame (G) as shown and place them on the side.

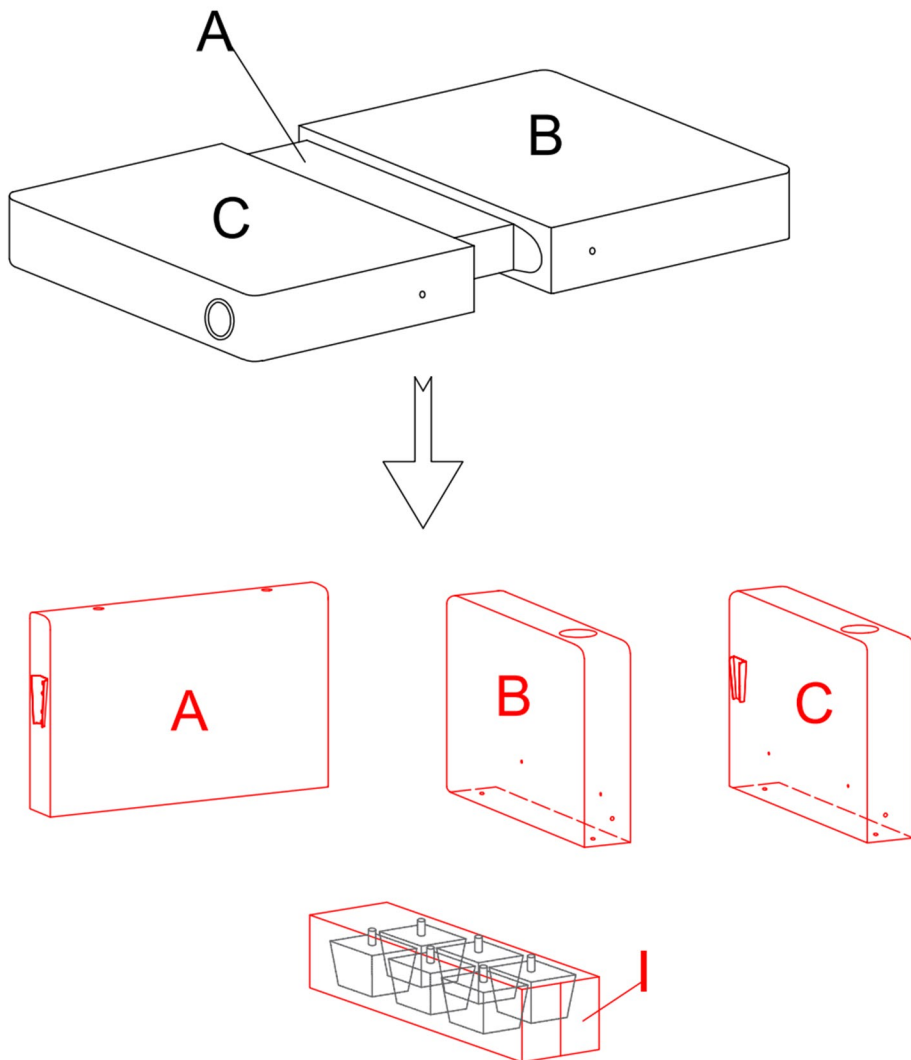
Cut the plastic air compression bags, and take out cushions .

Place them on the side for recover to their original shape, the whole process might take up to 48 hours, you may gently slap on them to speed up the process.



step 2

Take out the backrest and legs from the armrest as shown and place them on the side.

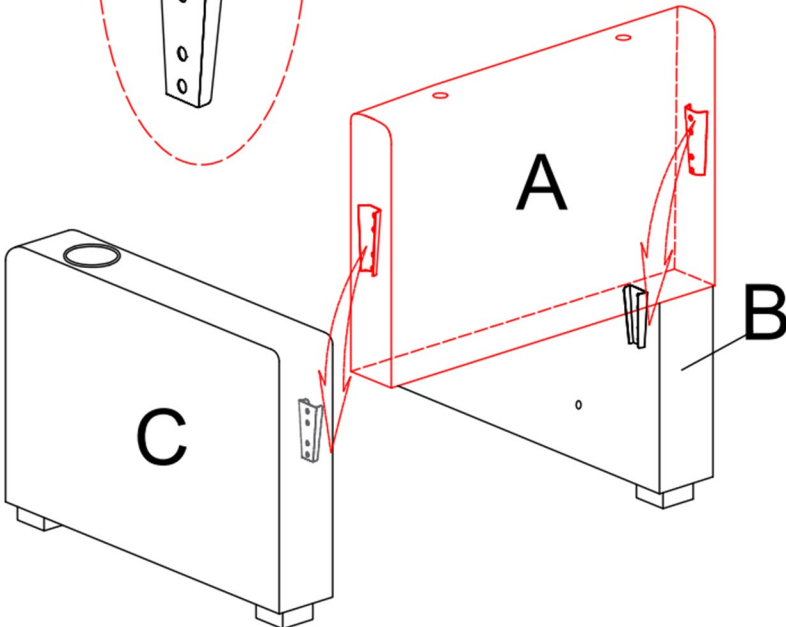
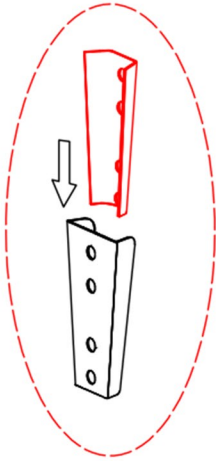


step 3

Install the backrest (A) to the armrest (B&C) by inserting the connectors into the slots as shown, make sure they are both correctly aligned before pushing it down.



During installation, handle with care to prevent the metal connectors from damaging the fabric.

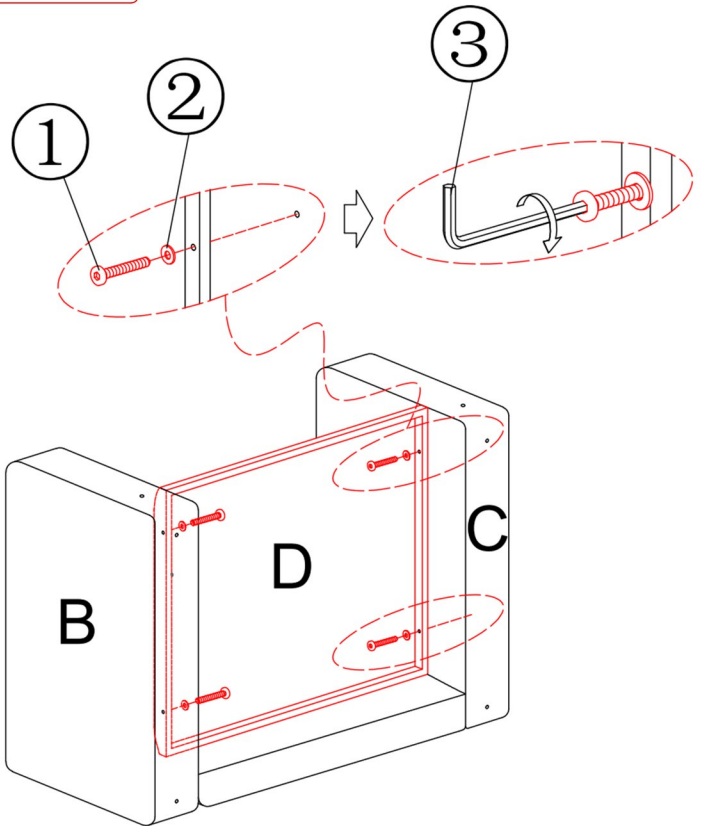


step 4

To install the armrests (B&C), place the seat board (D) between both armrests as shown. Then use the allen wrench (3) provided to tighten the bolts to the designated bolt holes on both frame and armrests.

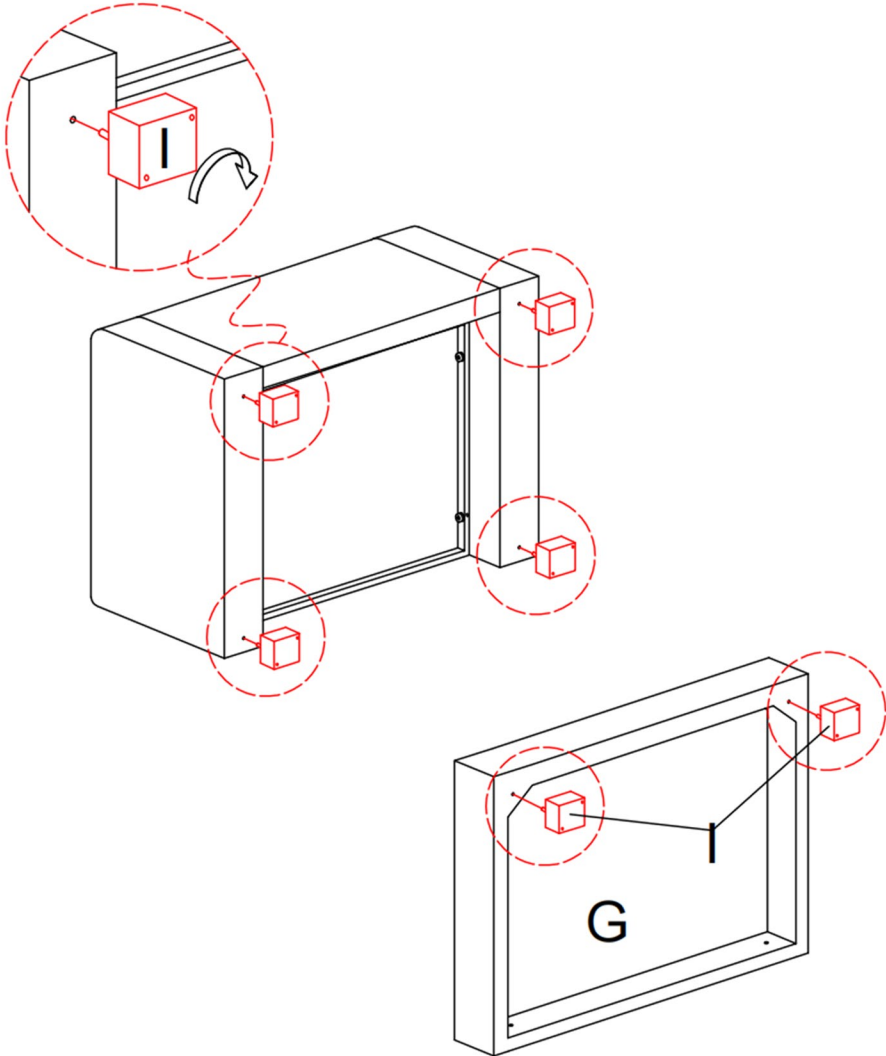


First add one flat washer on each bolt as shown, use the allen wrench provided to tighten all the bolts by 30-50% first, make sure that all bolts are aligned correctly before fully tightening.



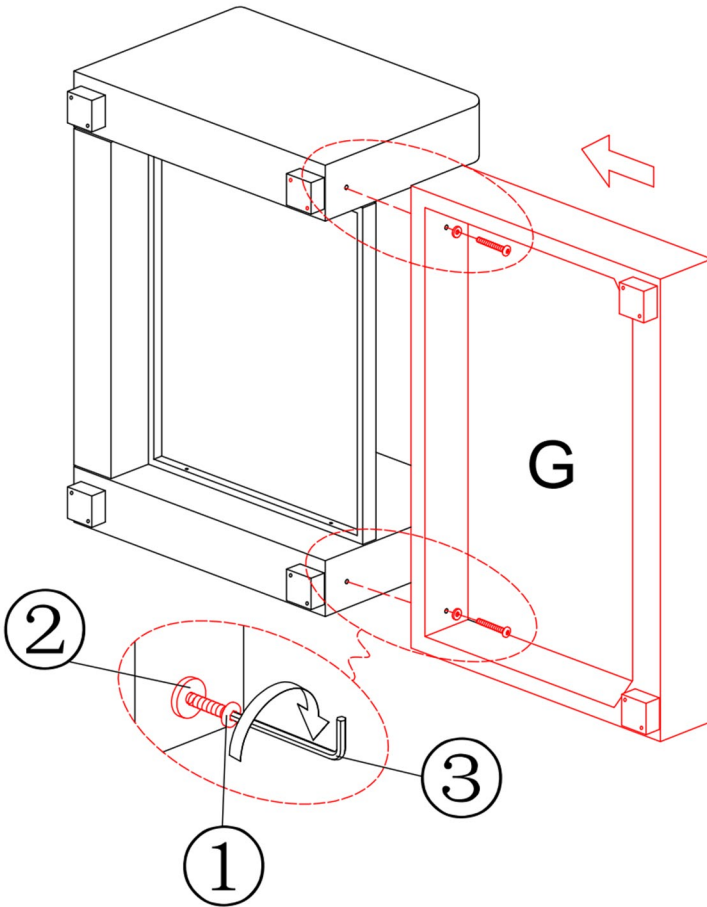
step 5

Twist the sofa legs (I) clockwise to the bottom of each armrests and the seat frame as shown.



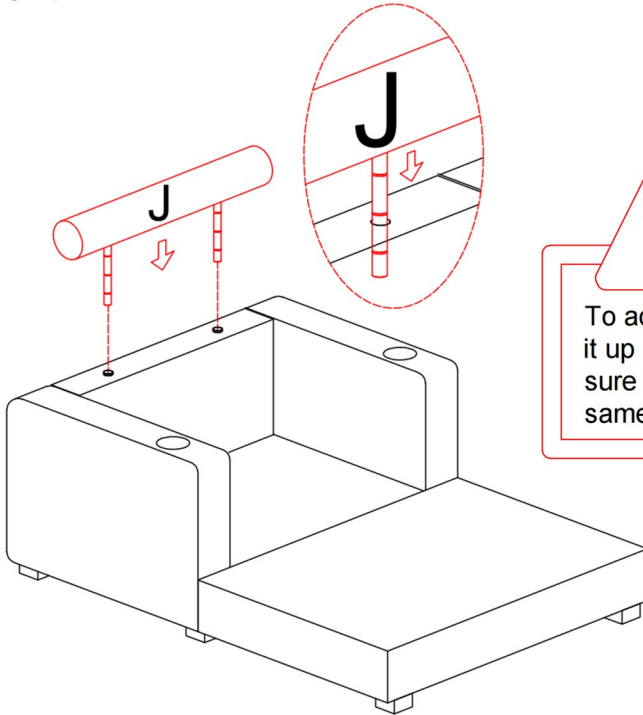
step 6


Place the pre-installed parts on its side as shown, then align the bolt holes on seat frame with both armrests. Then use the allen wrench(3) provided to tighten all the bolts.

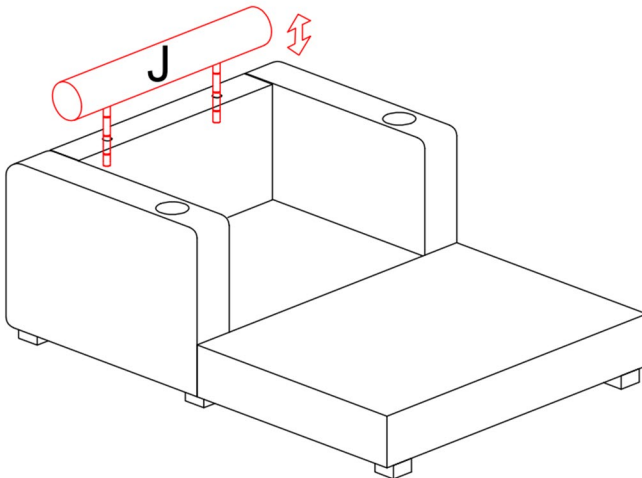


step 7

Push the headrest (J) down to the holes on backrest. remember, there are three levels adjustment of the headrest, use it all you want.




To adjust the headrest, simply lift it up or push it down, just make sure both metal plugs are at the same level.

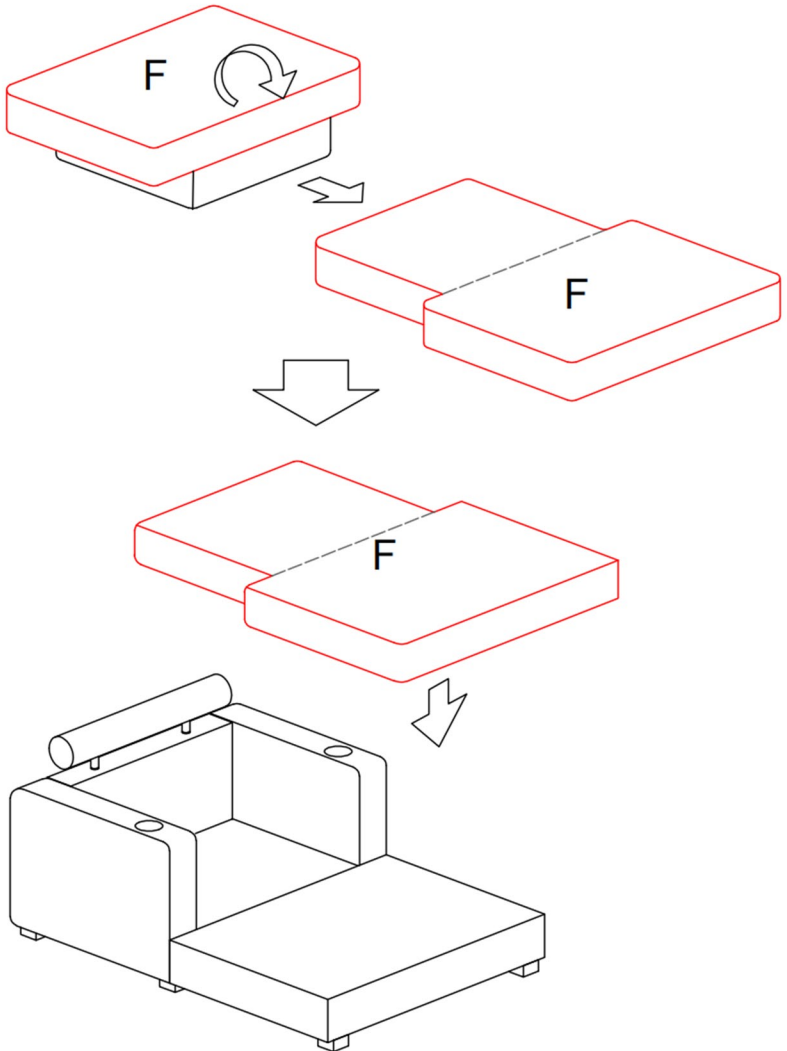


step 8

Unfold the seat cushion flat as shown.

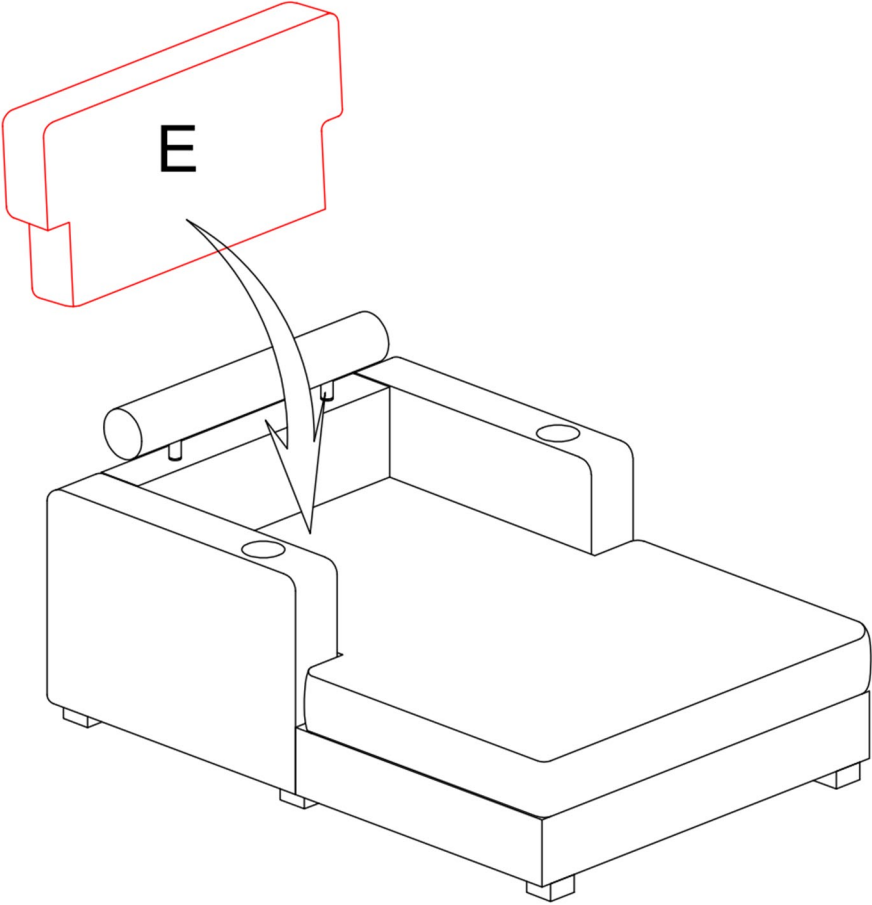
Please seat cushion (F) on it.

the whole recovery might take up to 48 hours, you may gently slap on them to speed up the process.



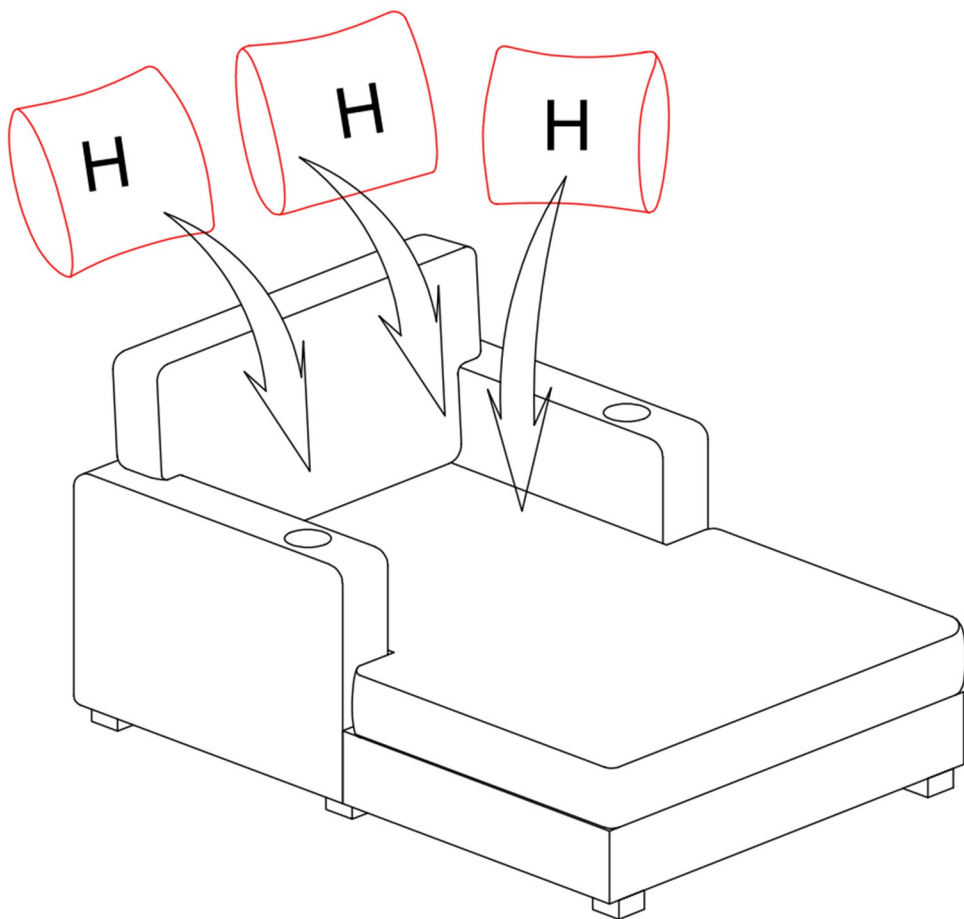
step 9

Please back cushion (E) on it.



step 10

Please pillows (H) on it.



step 11

