

# ASSEMBLY INSTRUCTIONS

WF198245 - DINING TABLE

PLEASE DO NOT RETURN PRODUCT TO STORE

If you have any problem or concerns, please feel free to contact our customer Service department. We will reply you as soon as possible



E-Mail: [csr@merax.com](mailto:csr@merax.com)

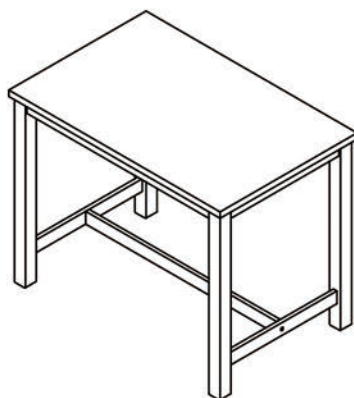
Tel: 626-912-8886 Ext.100

## IMPORTANT NOTE :

\*\* PLACE ALL PARTS ON A CLEAN AND SMOOTH SURFACE SUCH AS A RUG OR CARPET TO AVOID THE PARTS FROM BEING SCRATCHED.

\*\* BEFORE YOU BEGIN, KINDLY FOLLOW THE ASSEMBLY INSTRUCTIONS STEP BY STEP.

\*\*DO NOT TIGHTEN ALL SCREWS AND BOLTS UNTIL THE TABLE IS FULLY SET-UP.



CARTONS ONLY ONE/ CARTONS SEULEMENT UN

### PART LISTS

### HARDWARE LISTS

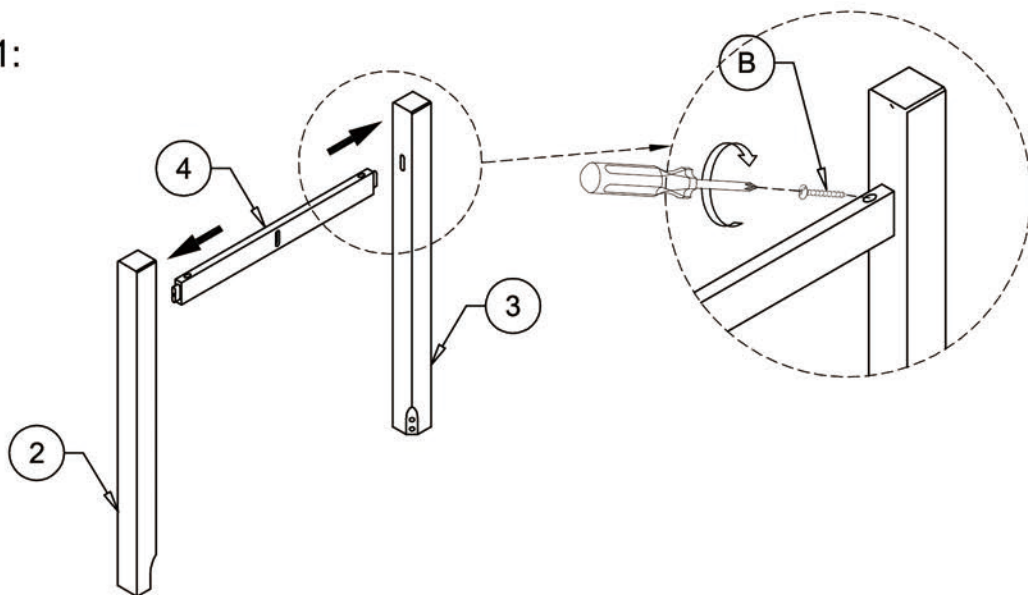
| NO. | DESCRIPTION     | SKETCH | Q'TY  | NO. | DESCRIPTION                     | SKETCH | Q'TY  |
|-----|-----------------|--------|-------|-----|---------------------------------|--------|-------|
| 1   | TABLE TOP       |        | 1 PC  | A   | BOLT<br>Ø5/16"x60mmL            |        | 8 PCS |
| 2   | LEGS 1          |        | 2 PCS | B   | WOOD SCREW<br>M4x45mmL          |        | 4 PCS |
| 3   | LEGS 2          |        | 2 PCS | C   | BOLT<br>Ø1/4" x 40mmL           |        | 2 PCS |
| 4   | SHORT STRETCHER |        | 2 PCS | D   | SPRING WASHER<br>Ø5/16" x 13mmL |        | 8 PCS |
| 5   | LONG STRETCHER  |        | 1 PCS | E   | FLAT WASHER<br>Ø5/16" x 19mmL   |        | 8 PCS |
|     |                 |        |       | F   | ALLEN KEY M4                    |        | 1 PC  |

MADE IN VIETNAM

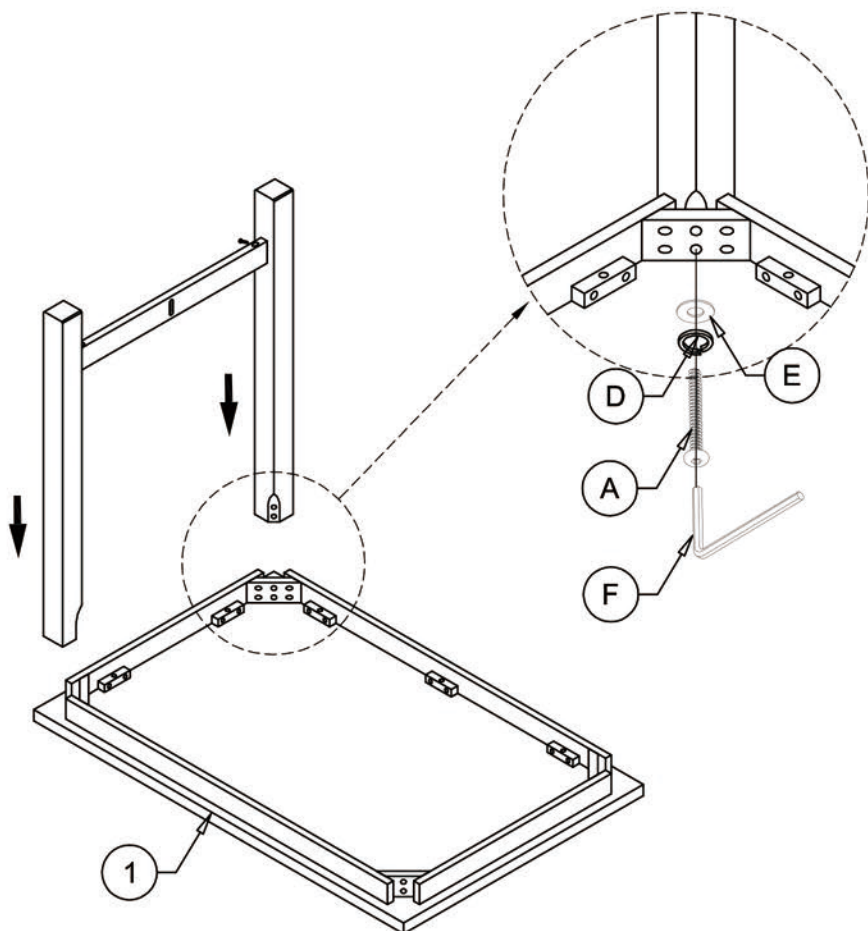
1 OF 4

# ASSEMBLY INSTRUCTIONS

STEP 1:

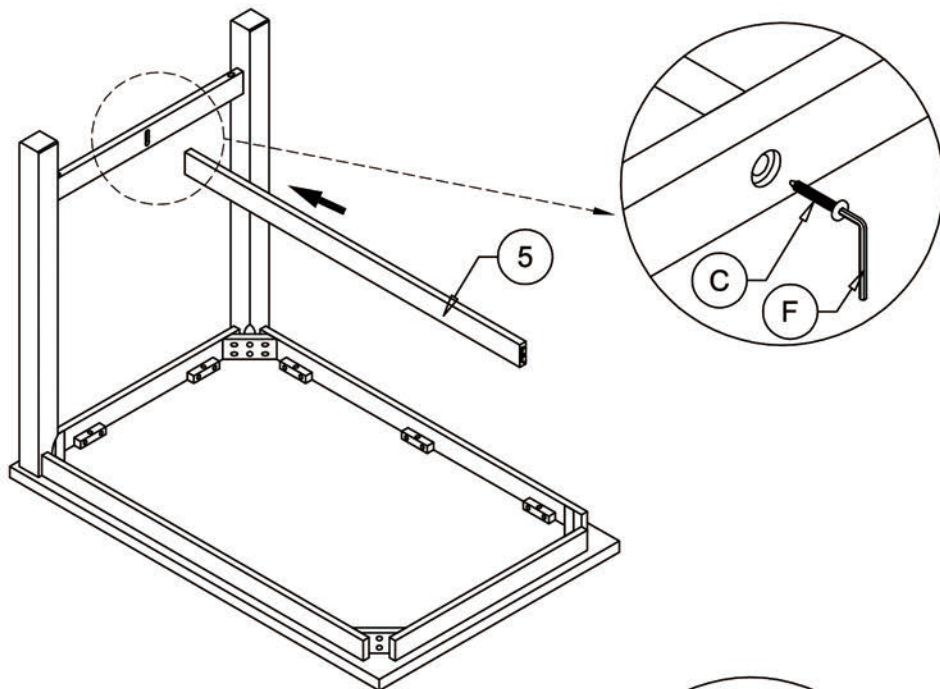


STEP 2:

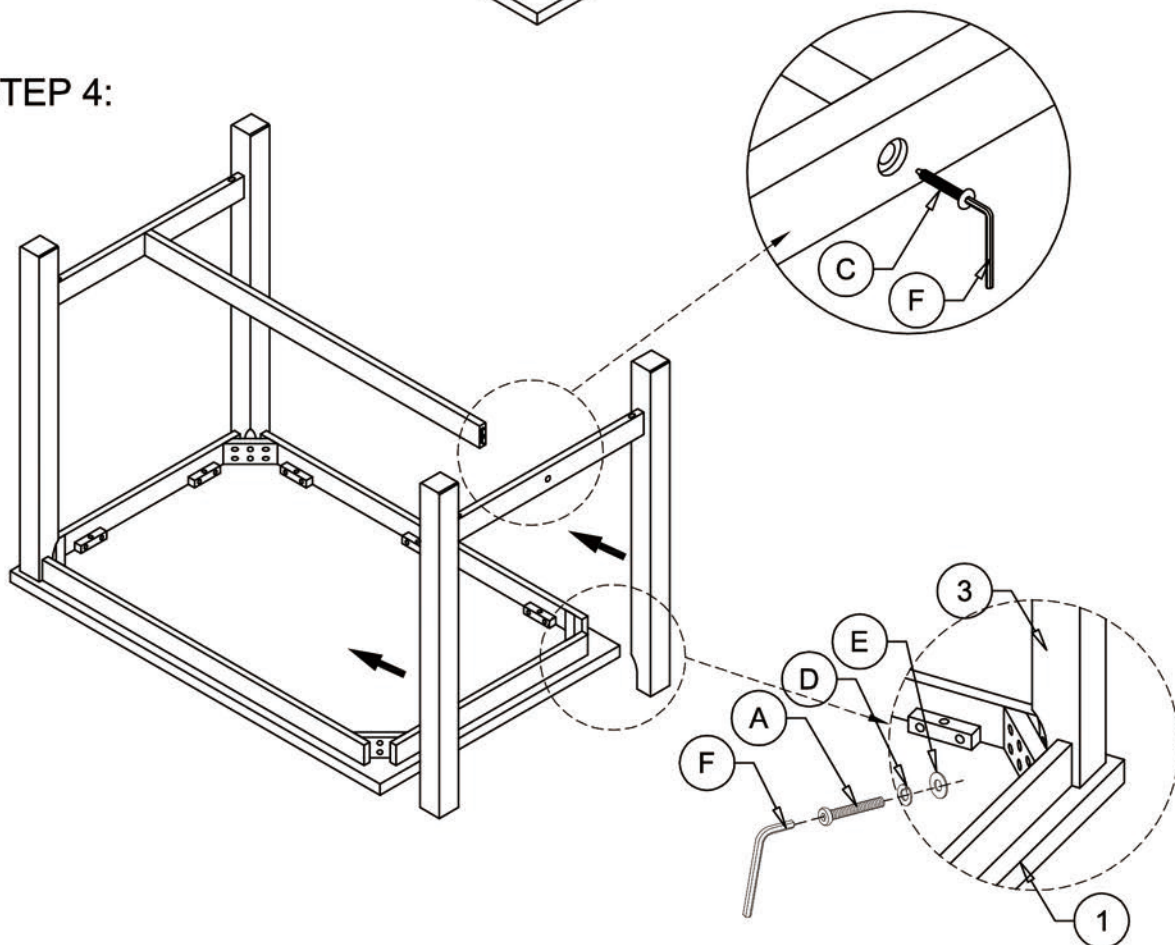


# ASSEMBLY INSTRUCTIONS

STEP 3:

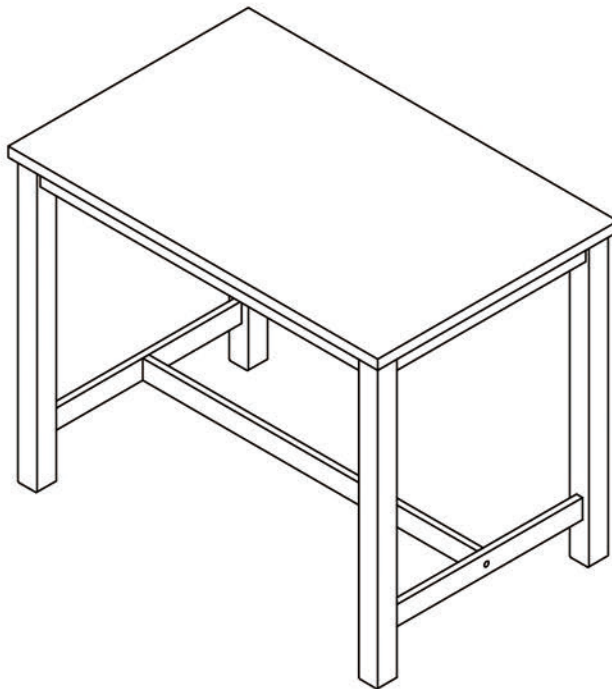
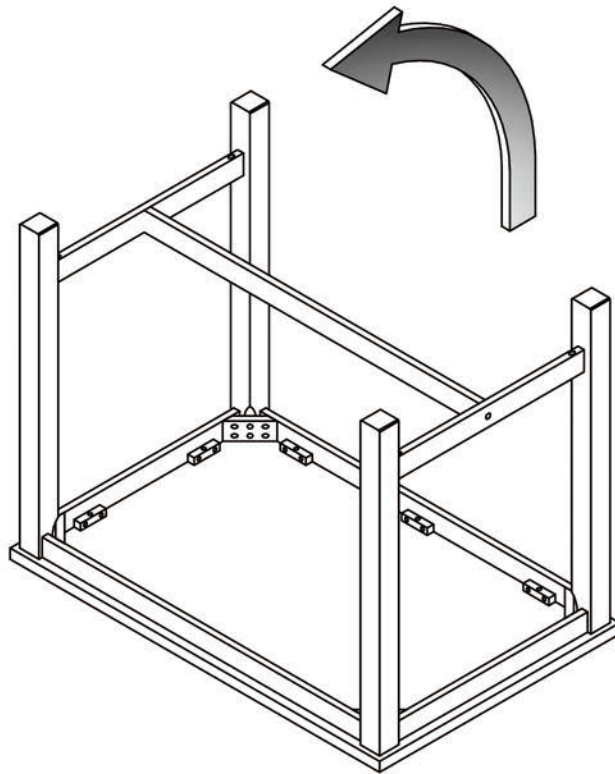


STEP 4:



# ASSEMBLY INSTRUCTIONS

STEP 5:



# ASSEMBLY INSTRUCTIONS

WF198246 - DINING CHAIR

PLEASE DO NOT RETURN PRODUCT TO STORE

If you have any problem or concerns, please feel free to contact our customer Service department. We will reply you as soon as possible



E-Mail: [csr@merax.com](mailto:csr@merax.com)

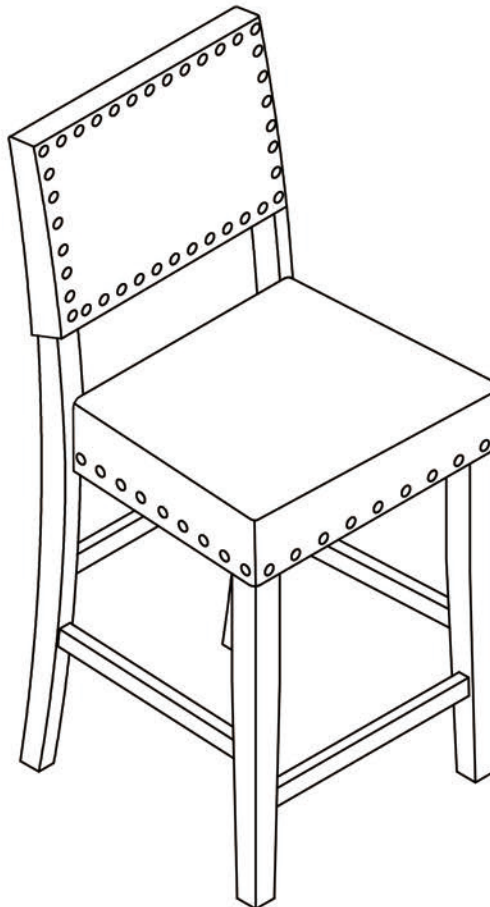
Tel: 626-912-8886 Ext.100

## IMPORTANT NOTE :











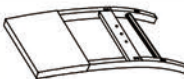

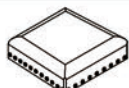

\*\* PLACE ALL PARTS ON A CLEAN AND SMOOTH SURFACE SUCH AS A RUG OR CARPET TO AVOID THE PARTS FROM BEING SCRATCHED.

\*\* BEFORE YOU BEGIN, KINDLY FOLLOW THE ASSEMBLY INSTRUCTIONS STEP BY STEP.

\*\*DO NOT TIGHTEN ALL SCREWS AND BOLTS UNTIL THE TABLE IS FULLY SET-UP.

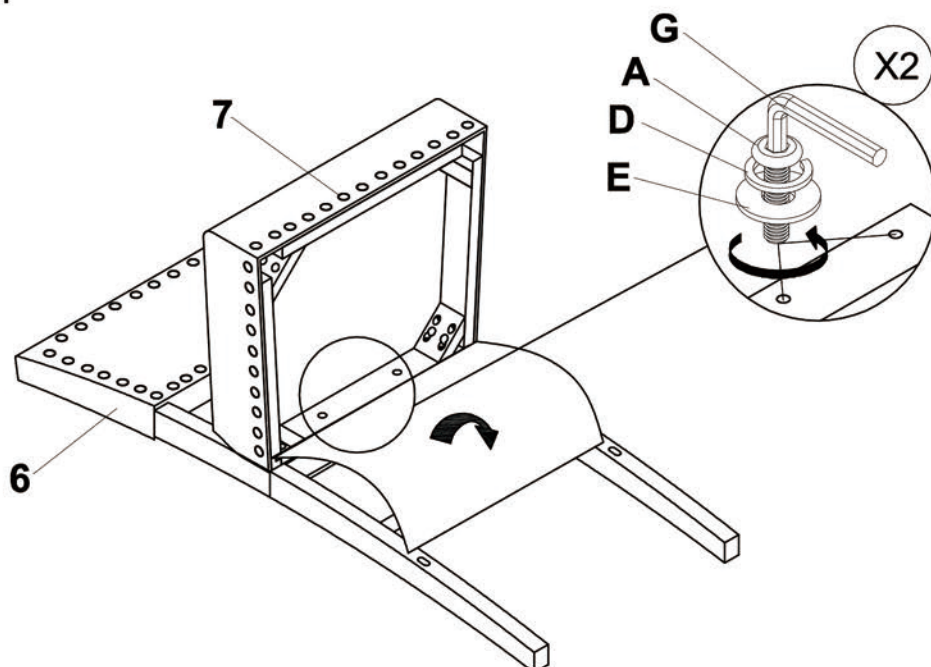


CARTONS ONLY ONE/ CARTONS SEULEMENT UN

| PART LISTS |                |   |       | HARDWARE LISTS |                                |   |        |
|------------|----------------|---|-------|----------------|--------------------------------|---|--------|
| NO.        | DESCRIPTION    | SKETCH  | Q'TY  | NO.            | DESCRIPTION                    | SKETCH  | Q'TY   |
| 1          | FRONT LEG-R    |  | 2 PCS | A              | BOLT<br>Ø1/4" x 38mmL          |  | 4 PCS  |
| 2          | FRONT LEG-L    |  | 2 PCS | B              | BOLT<br>Ø1/4" x 60mmL          |  | 8 PCS  |
| 3          | LEFT STRECHER  |  | 2 PCS | C              | BOLT<br>Ø1/4" x 75mmL          |  | 8 PCS  |
| 4          | RIGHT STRECHER |  | 2 PCS | D              | SPRING WASHER<br>Ø1/4" x 13mmL |  | 20 PCS |
| 5          | FRONT STRECHER |  | 2 PCS | E              | FLAT WASHER<br>Ø1/4" x 19mmL   |  | 20 PCS |
| 6          | CHAIR BACK     |  | 2 PCS | F              | CREW<br>Ø4 x 45mmL             |  | 12 PCS |
| 7          | SEAT           |  | 2 PCS | G              | ALLEN KEY                      |  | 1 PC   |

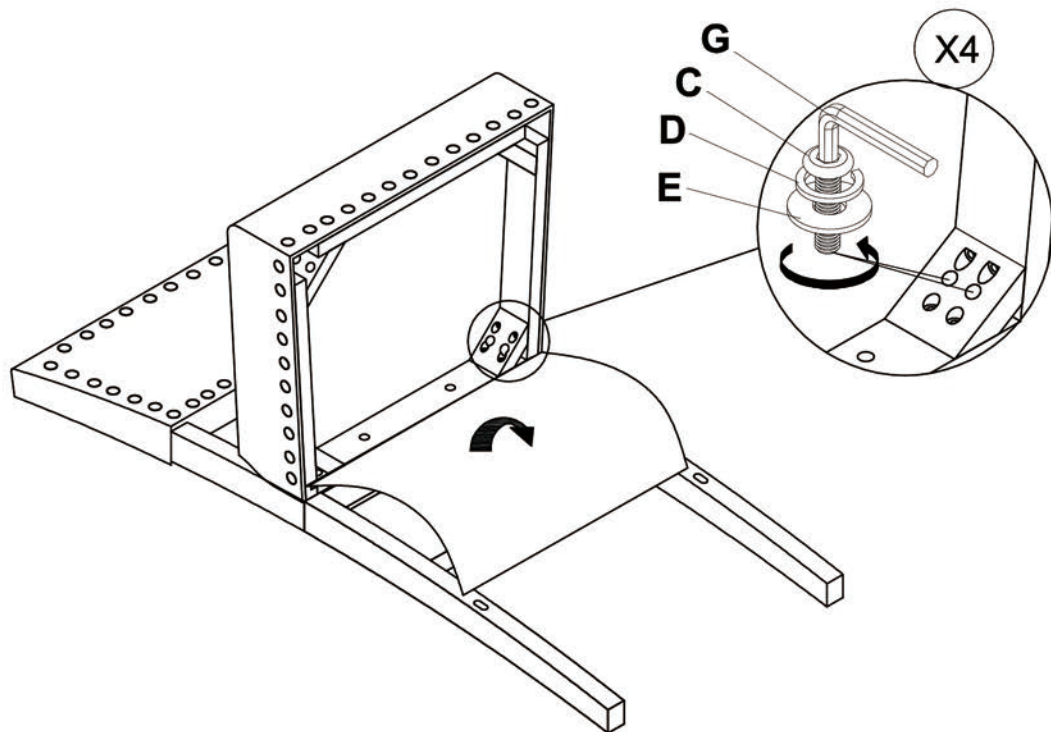
## ASSEMBLY INSTRUCTIONS

STEP 1:

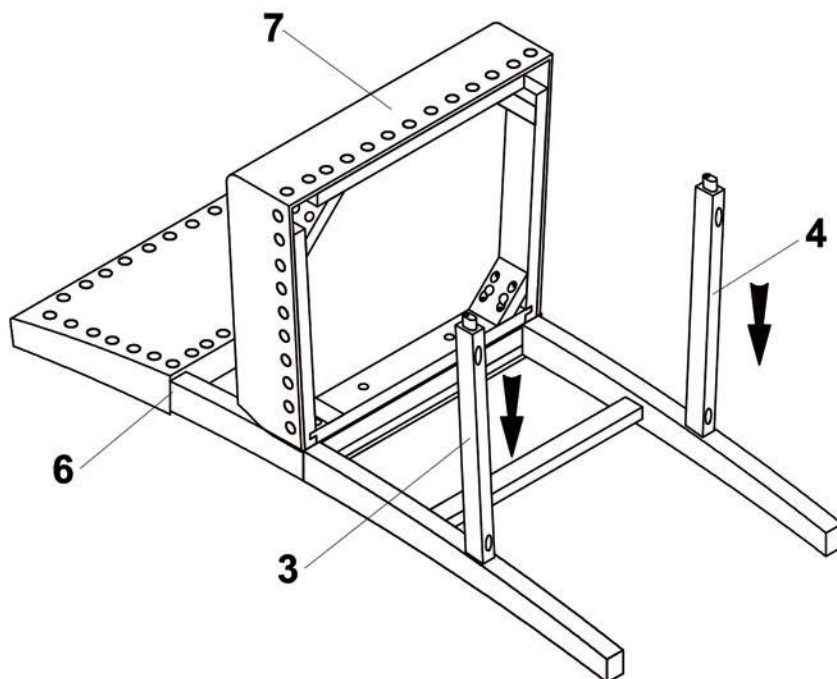


# ASSEMBLY INSTRUCTIONS

STEP 2:

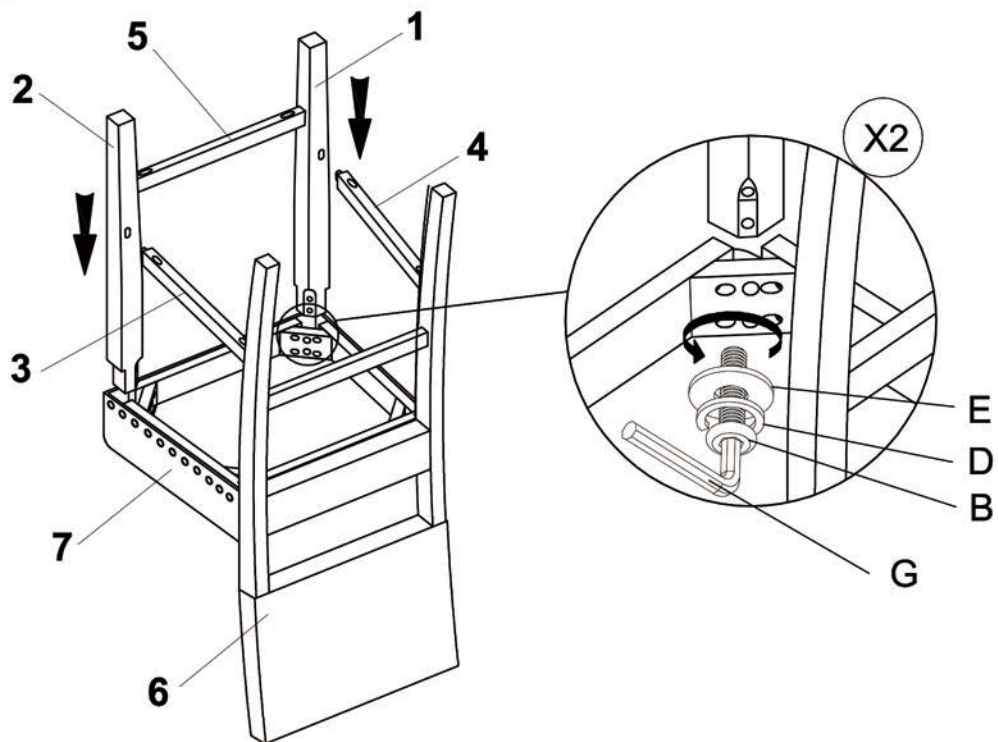


STEP 3:



# ASSEMBLY INSTRUCTIONS

STEP 4:



STEP 5:

