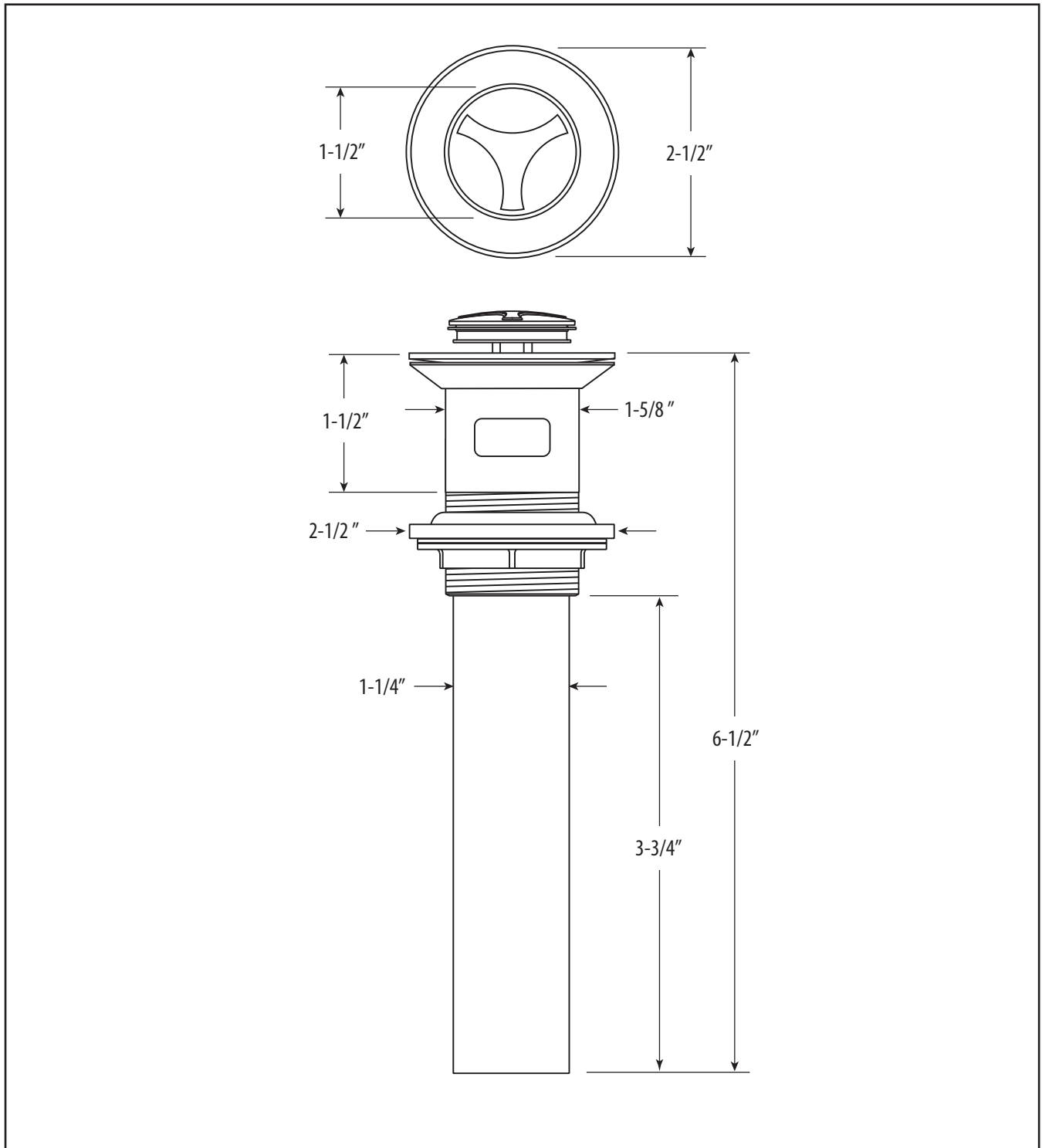


# ARGONAUT

AG280-1

## LAVATORY PUSH DRAIN W/ OVERFLOW



*\*DIMENSIONS MAY VARY AND ARE SUBJECT TO CHANGE. NO RESPONSIBILITY IS ASSUMED FOR USE OF SUPERCEDED OR VOIDED DATA*

41180 Raintree Court • Murrieta, CA 92562 • 1-888-304-0660 • Fax 951-304-0525 • [www.aspectfaucets.com](http://www.aspectfaucets.com)

