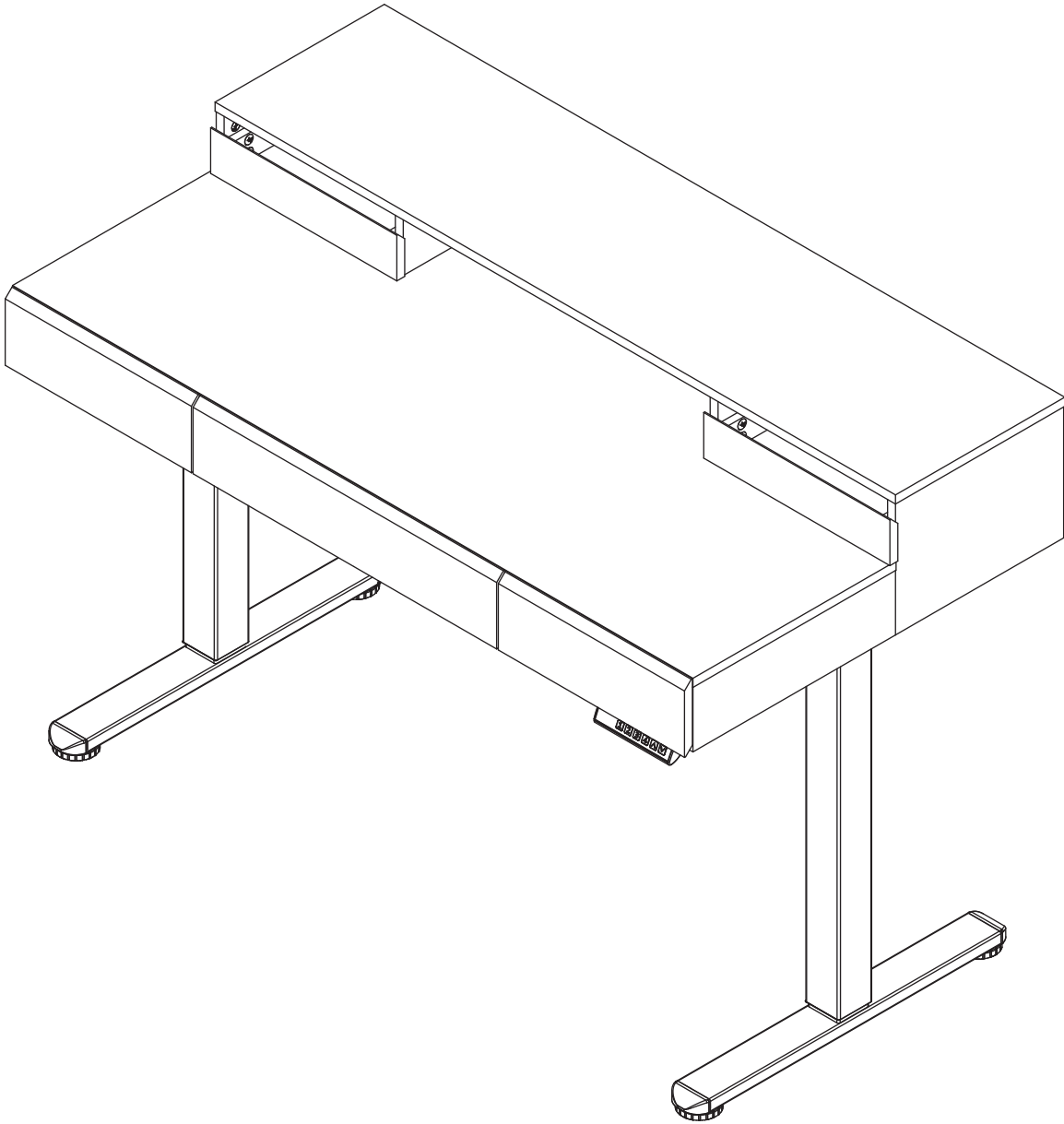


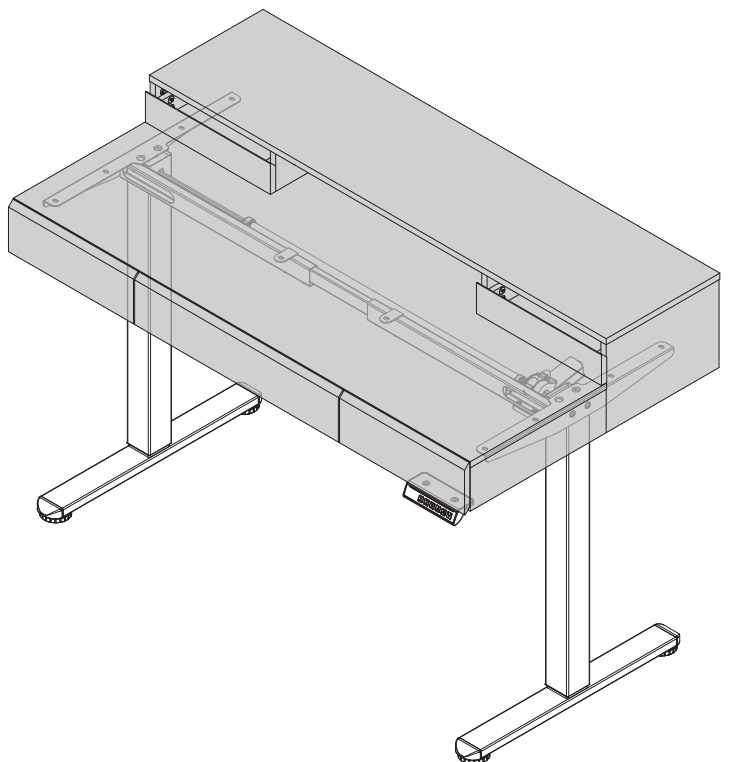
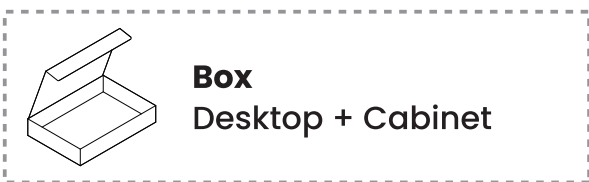
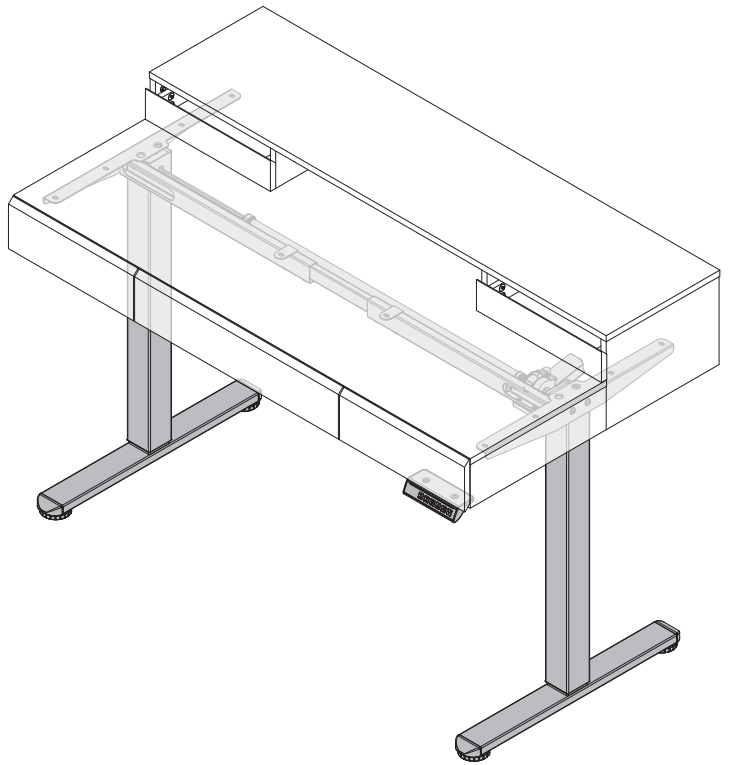
Electric Standing Desk

Perledeign-Series



Note

The product is packed into two separate parcels. Please make sure both parcels are received before assembly.





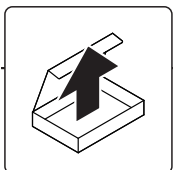
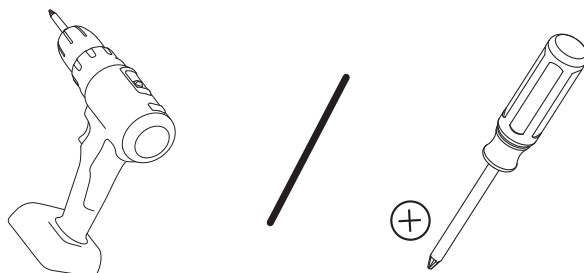
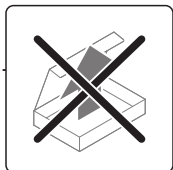
Height Adjustment Range
28.3–46.5" (72–118cm)



Power Input
100V–240V



Max. Speed
20mm/s



Accessories contained in box for HNESD217



M6 x 11mm

A x 22



M8 x 12mm

B x 4



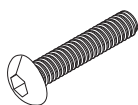
M6 x 12mm

C x 2



M5 x 12mm

D x 2



M6 x 35mm

E x 8



3/16" (5mm)

F x 1



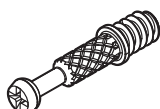
5/64" (2mm)

G x 1



H x 2

Accessories contained in box for HNESD214–120A



Ø6 x 35mm

I x 53



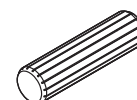
Ø15 x 11mm

J1 x 32



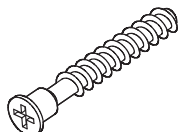
Ø15 x 9mm

J2 x 21



Ø8 x 30mm

K x 30



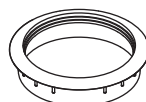
Ø6 x 50mm

L x 10



Ø4 x 38mm

M x 22

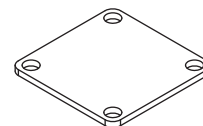


N x 1

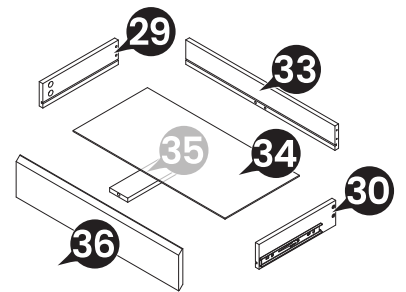
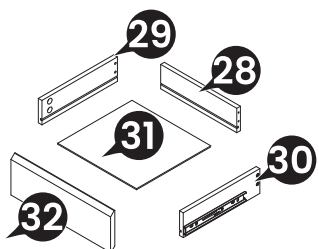
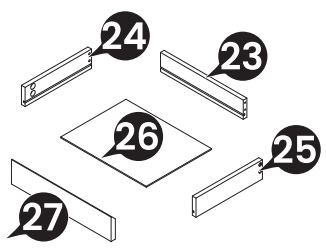
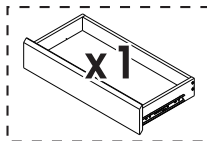
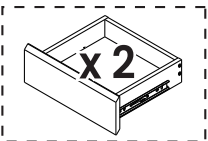
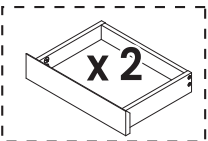
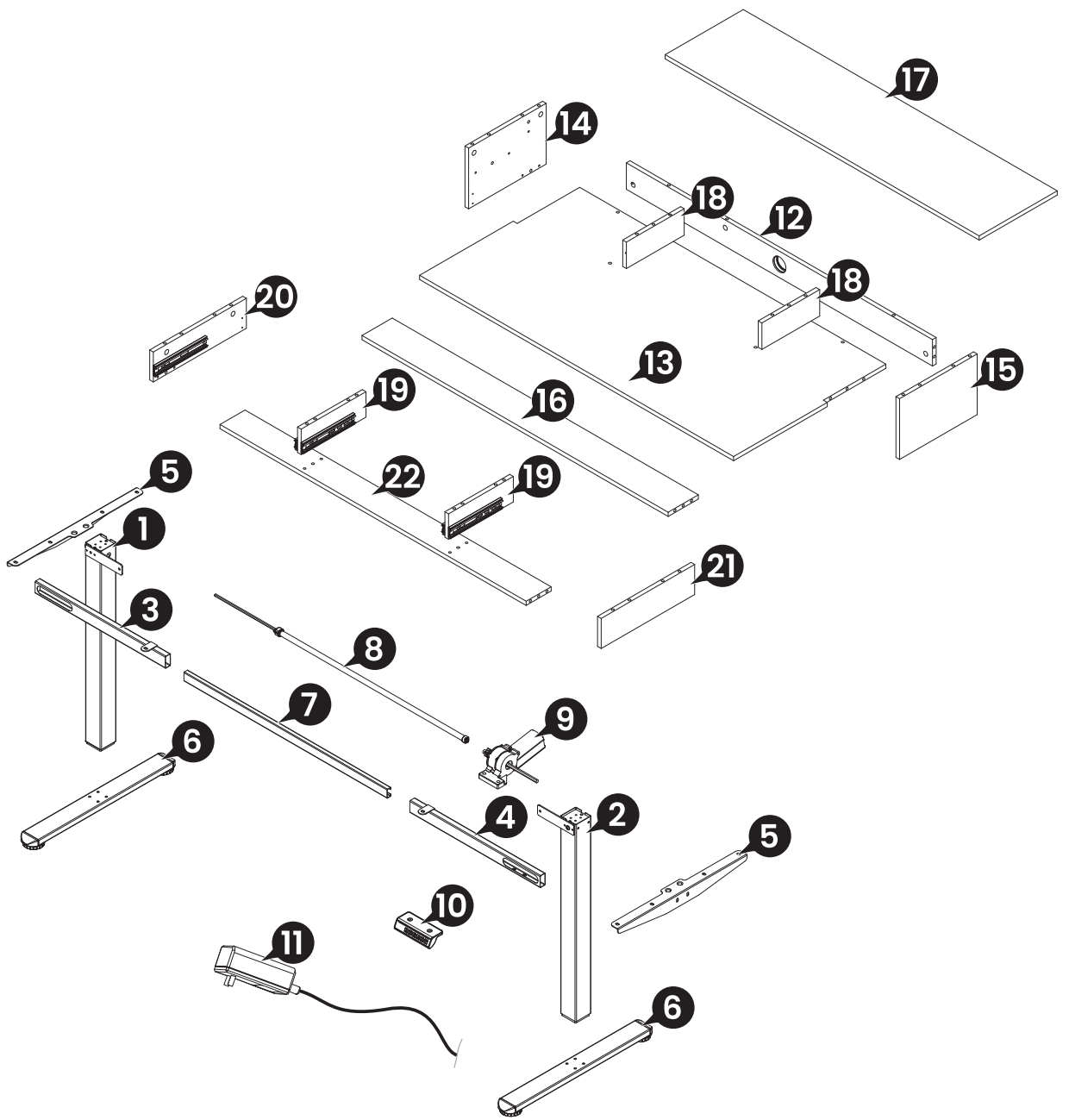


Ø3.5 x 12mm

O x 8

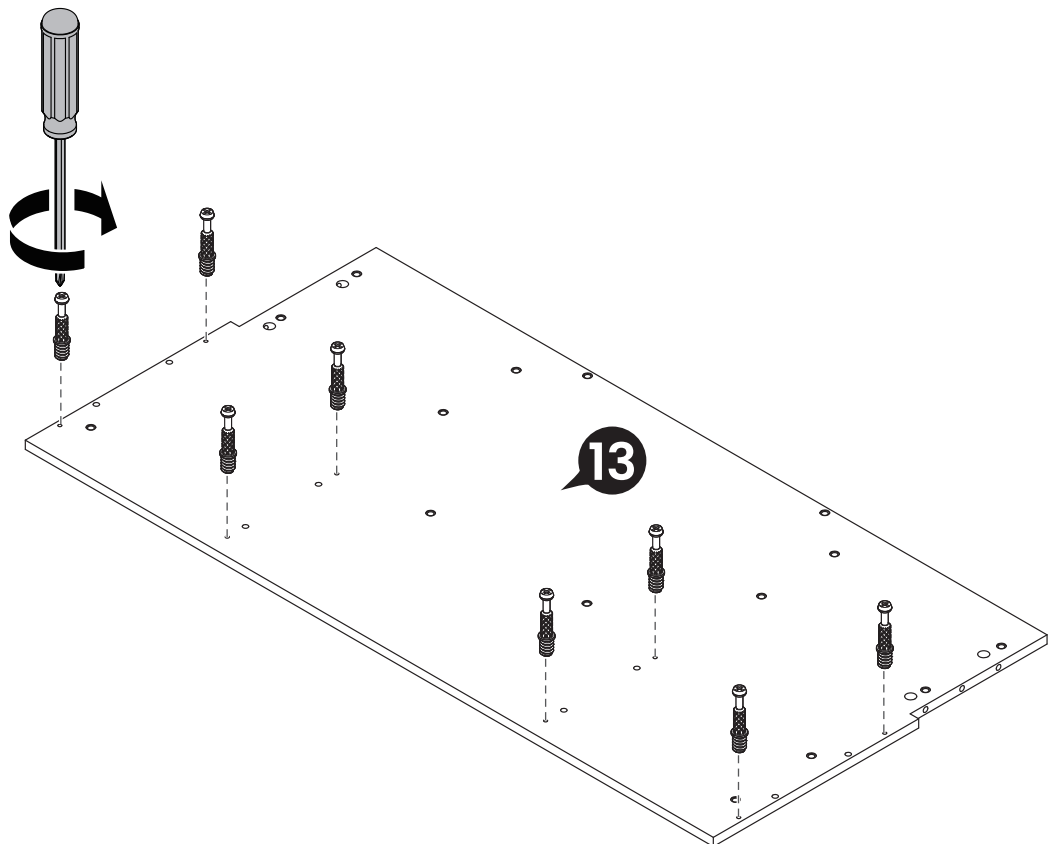
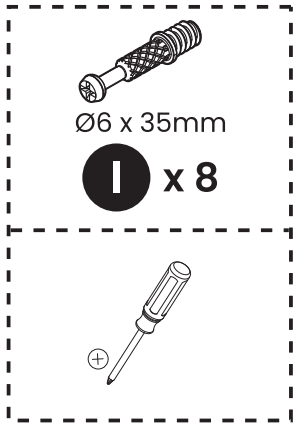
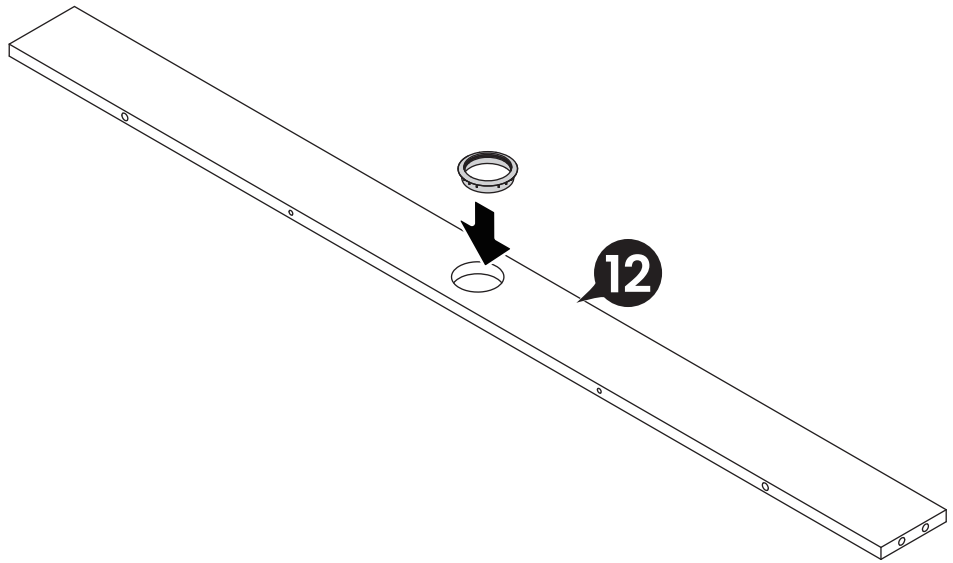
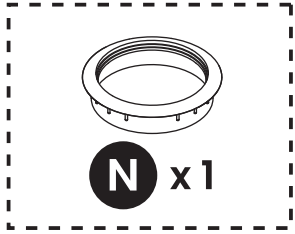


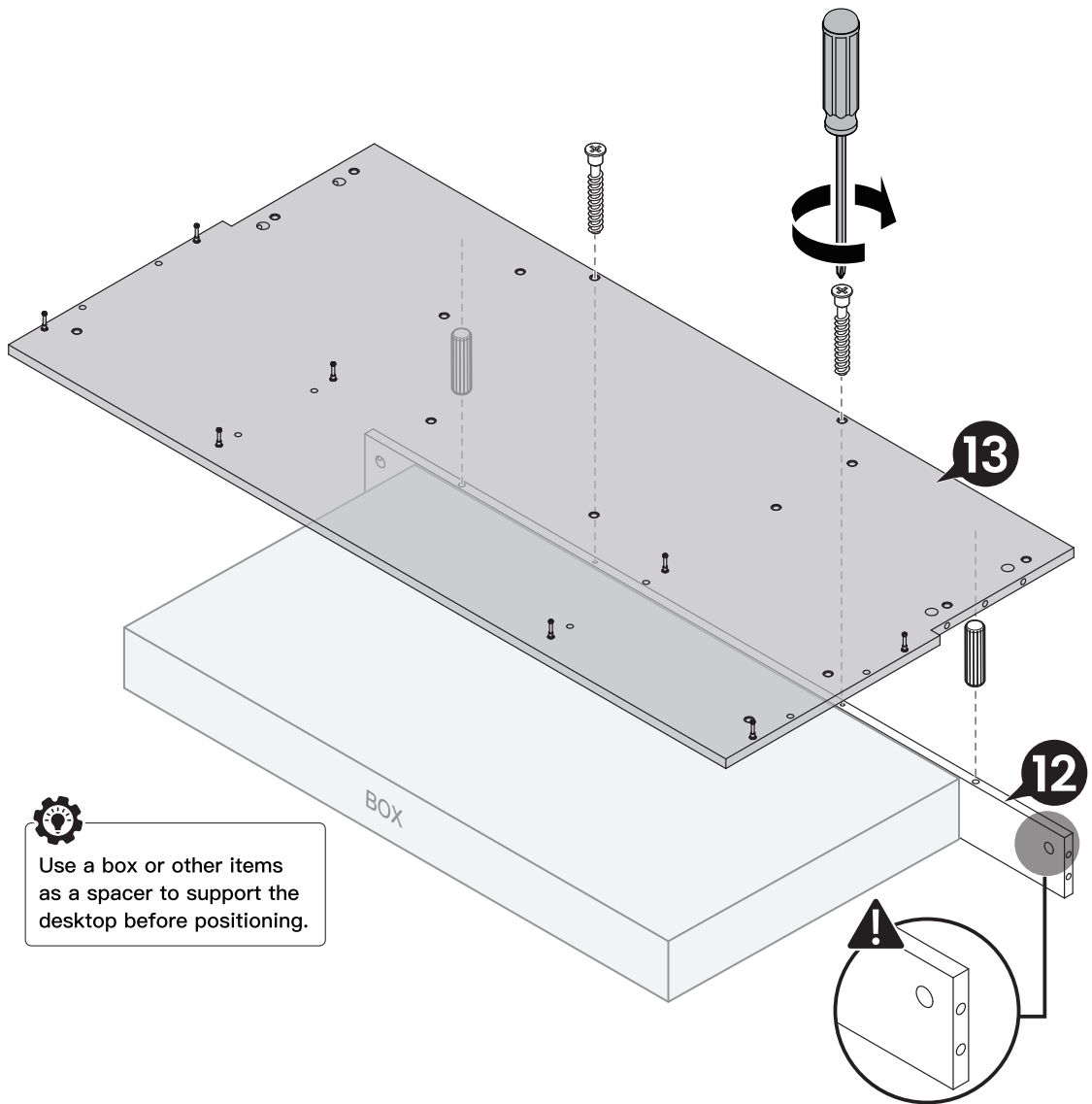
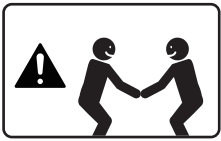
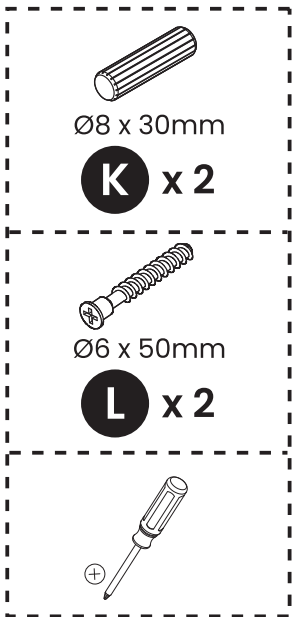
P x 2




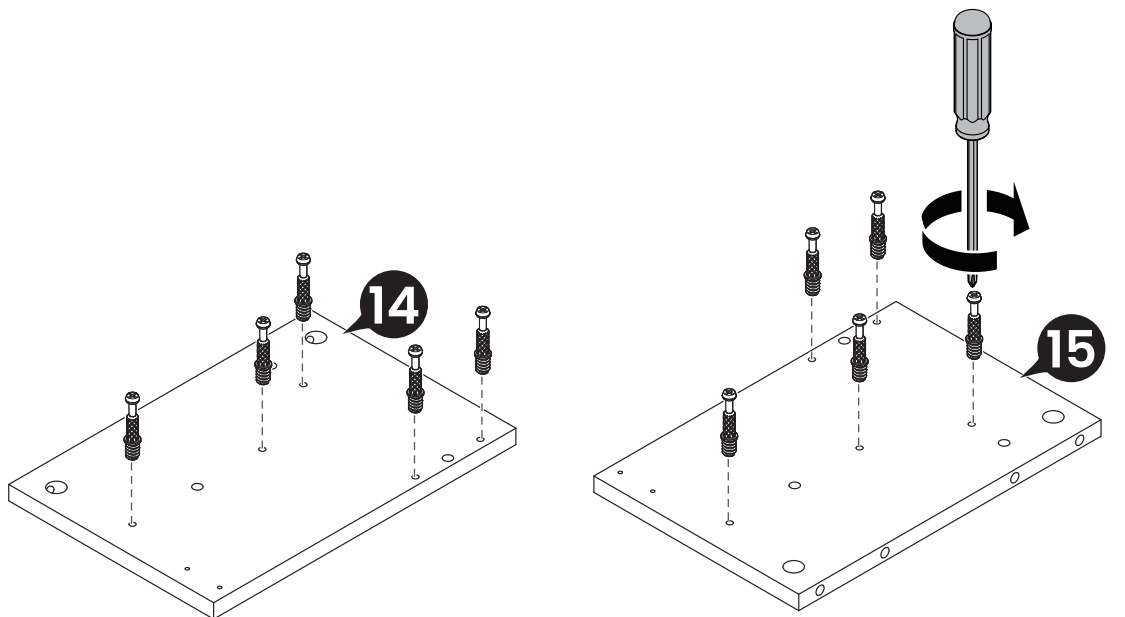
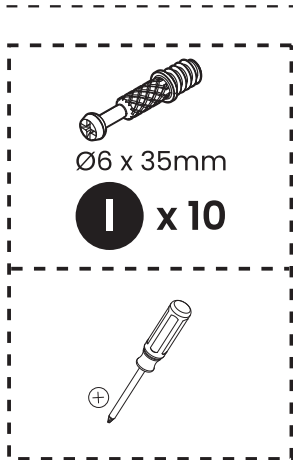
1

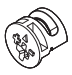
Assembling the Destop and Cabinets





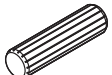

 Use a box or other items as a spacer to support the desktop before positioning.






 Ø15 x 11mm

J1 x 4

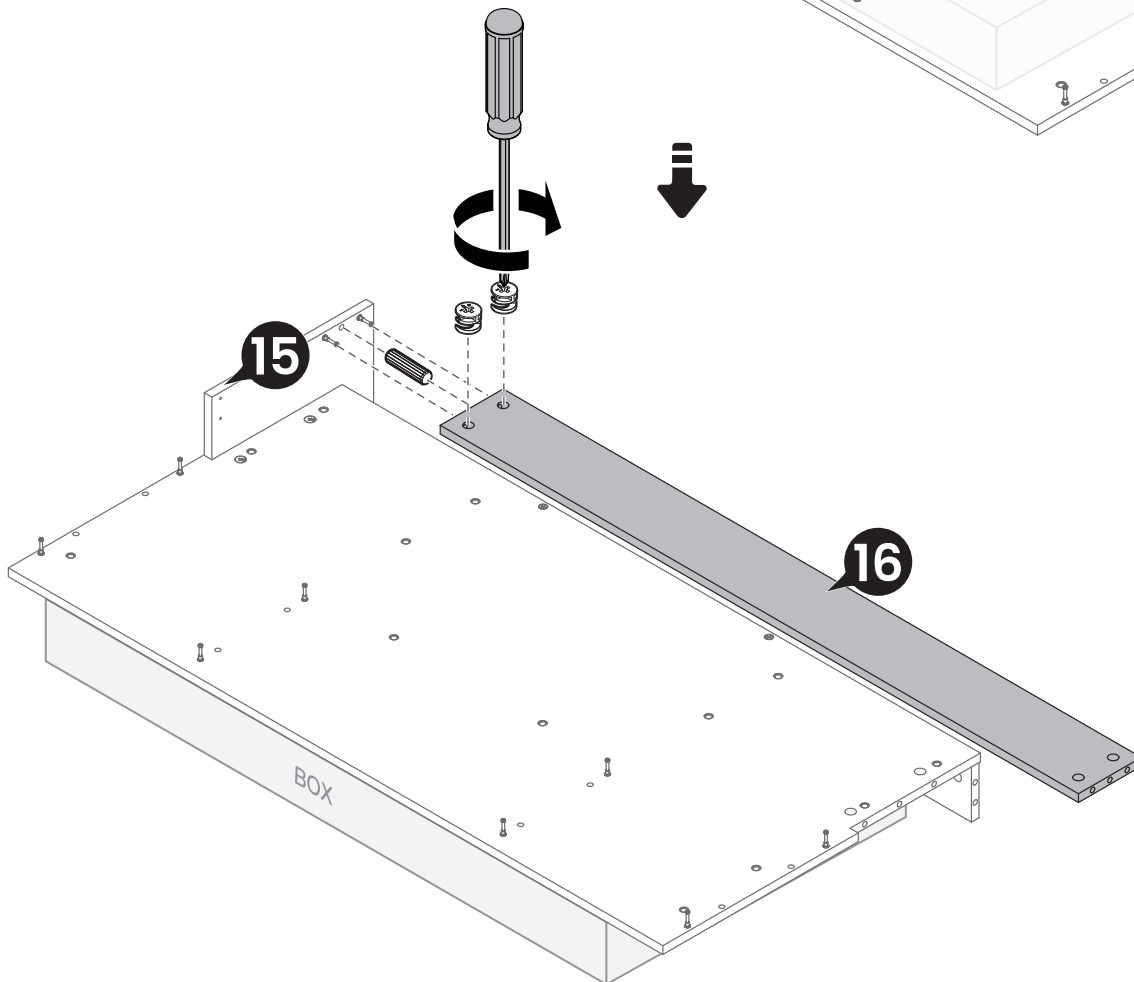
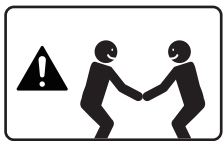
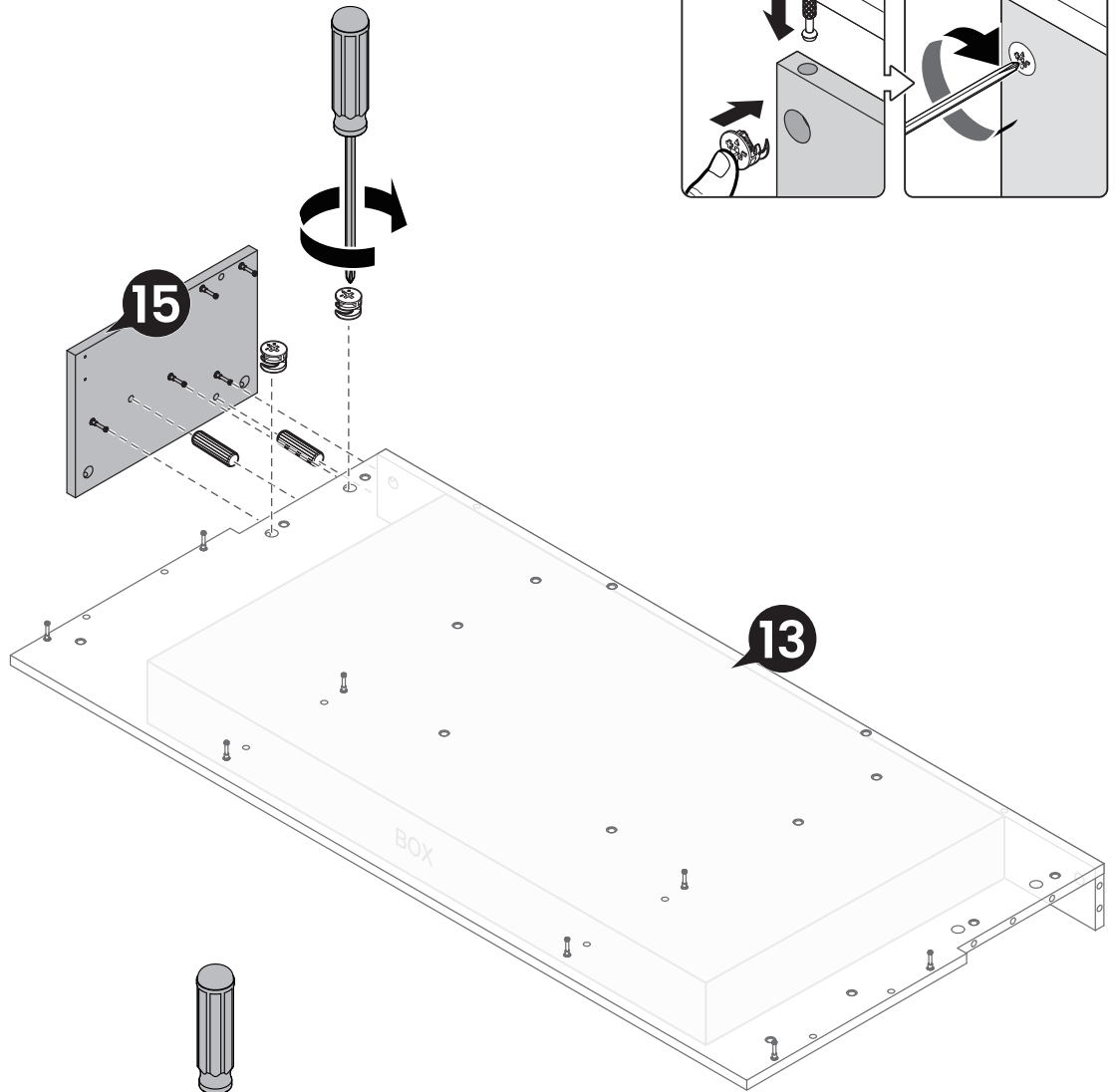
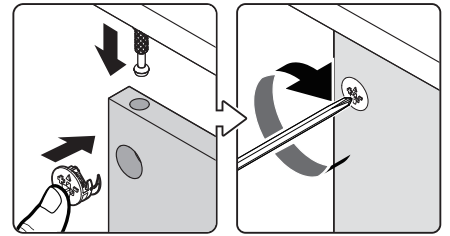



 Ø8 x 30mm

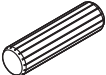
K x 3




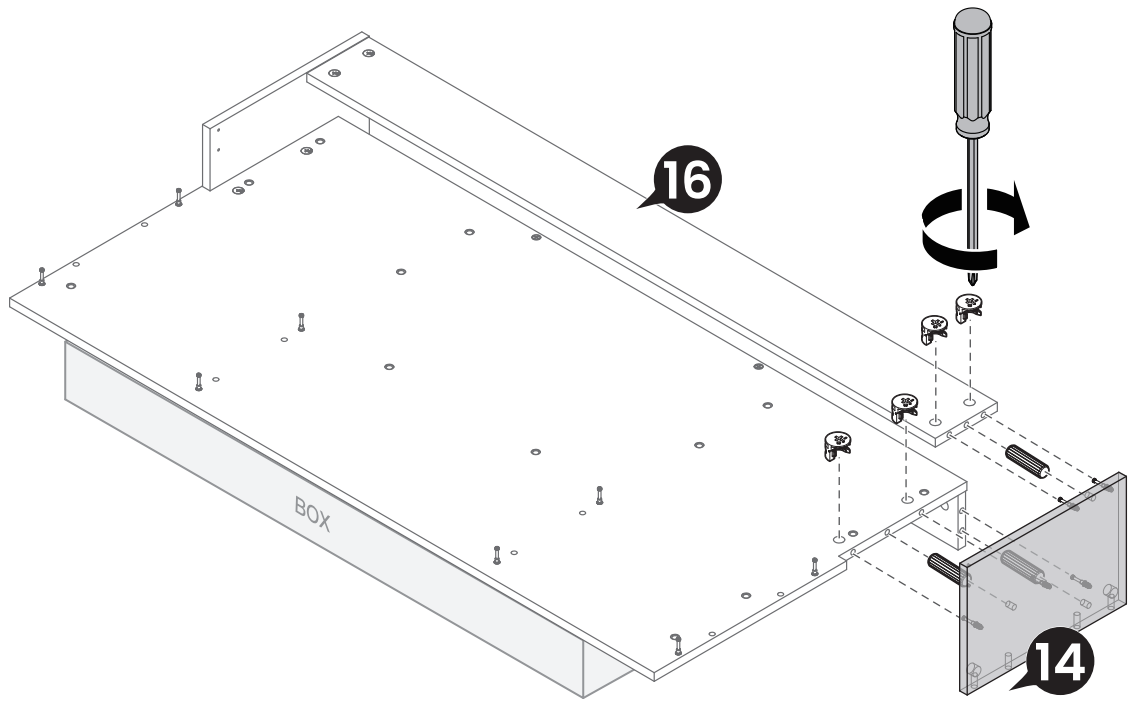
 +






 Ø15 x 11mm
J1 x 4

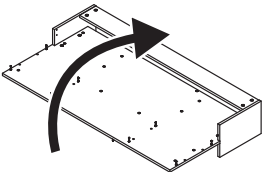

 Ø8 x 30mm
K x 3

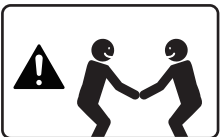
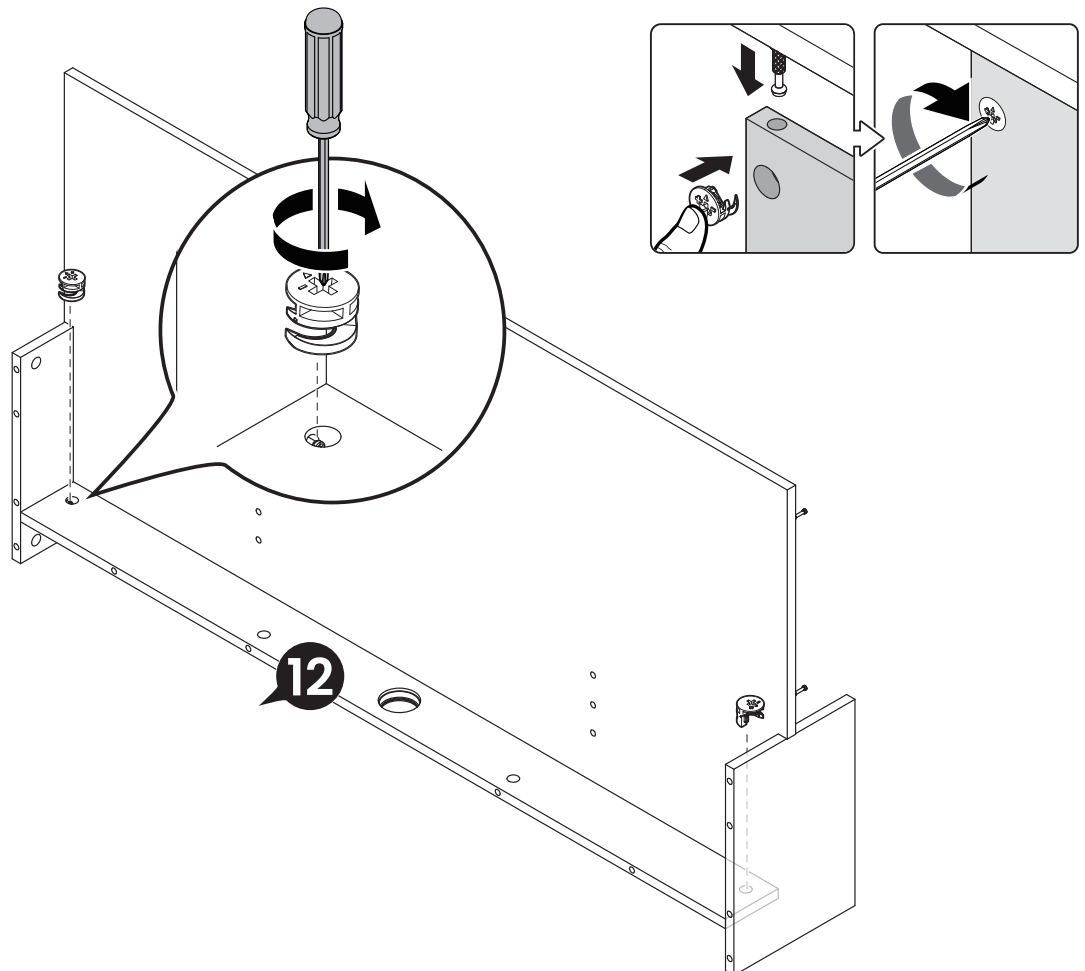


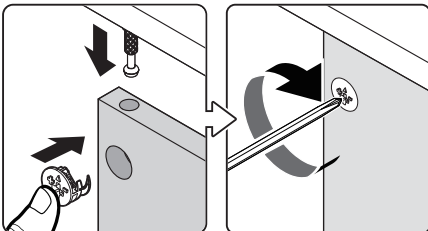
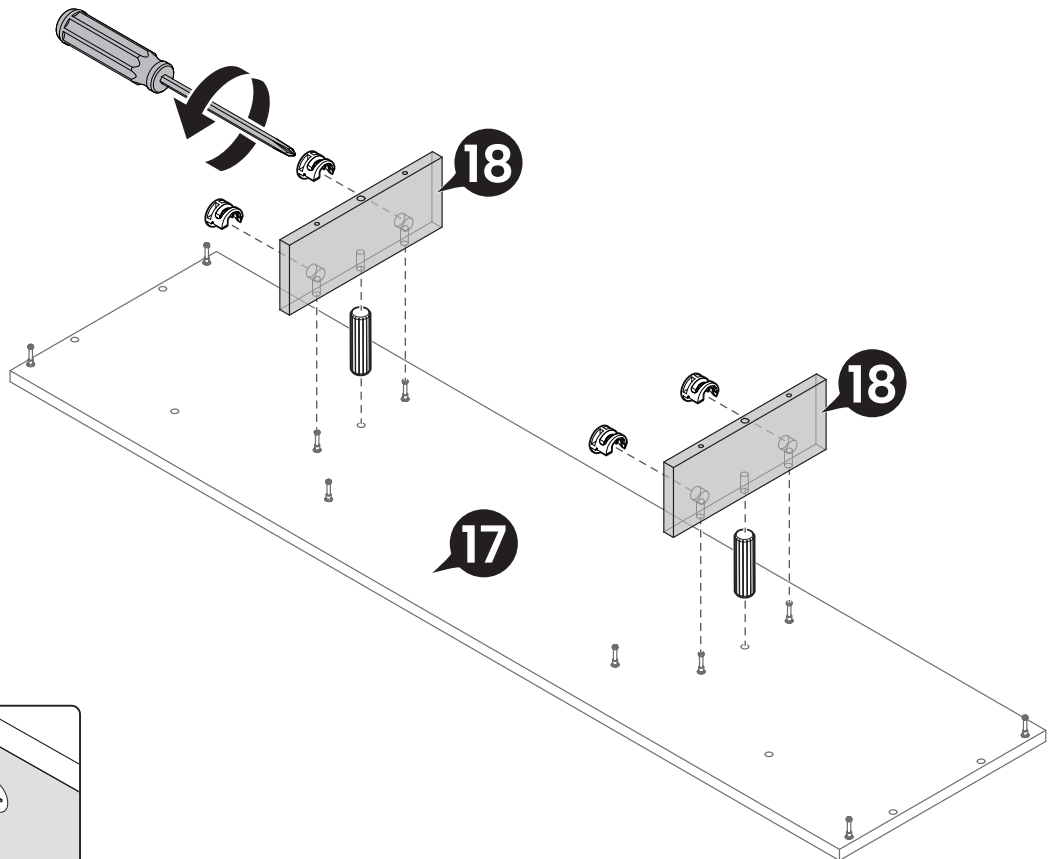
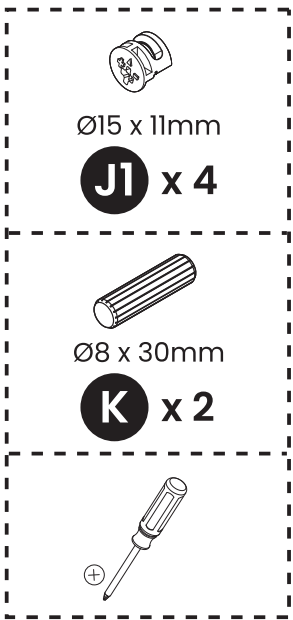
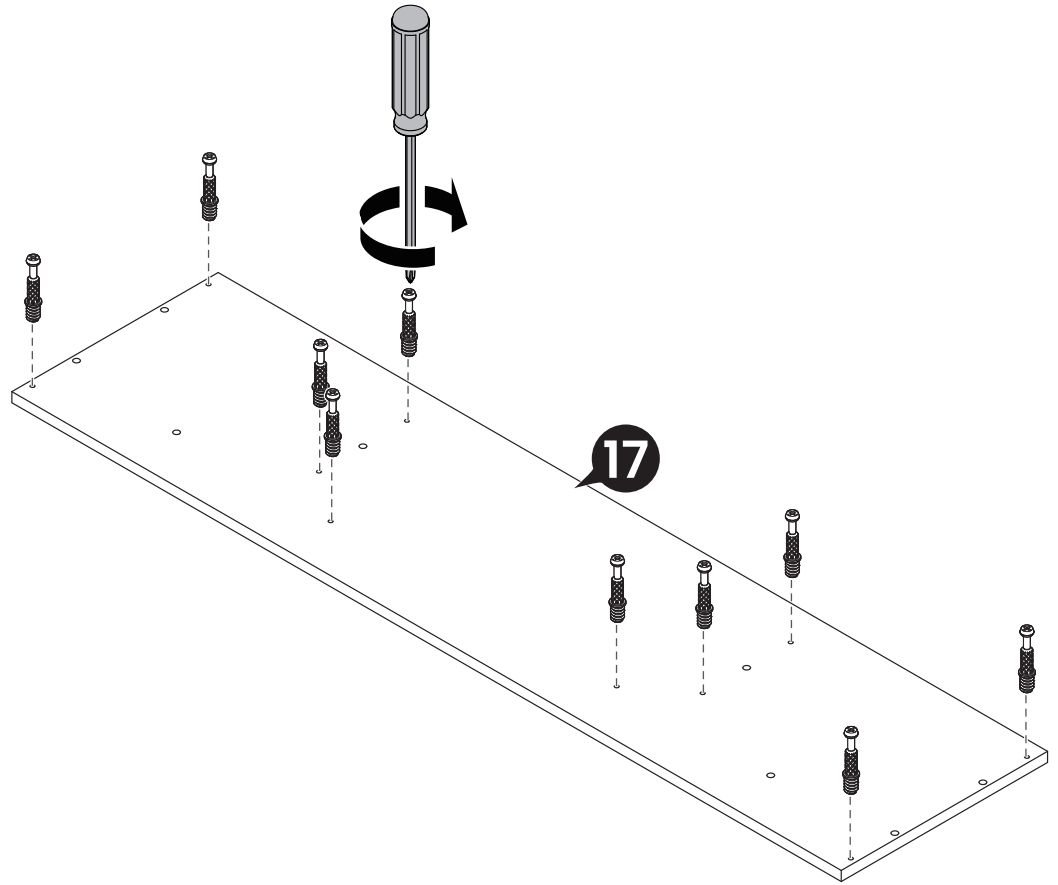
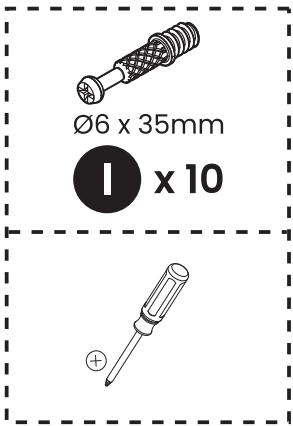


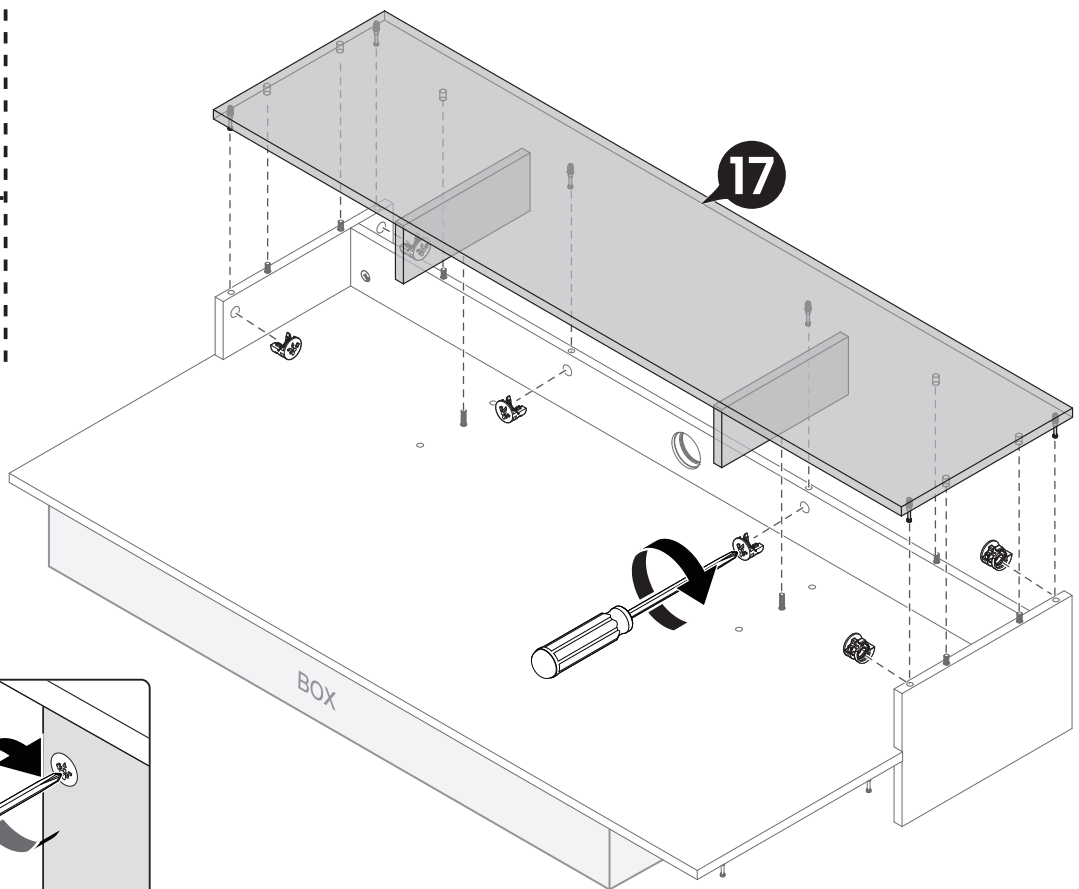
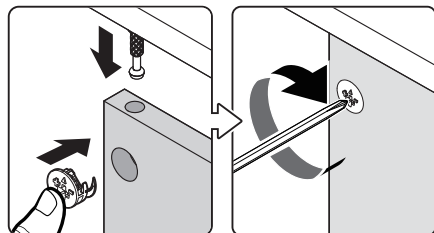
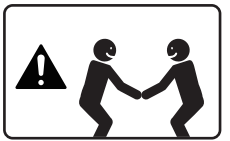
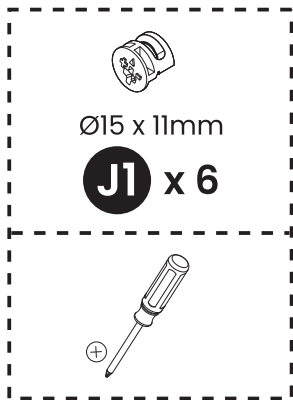
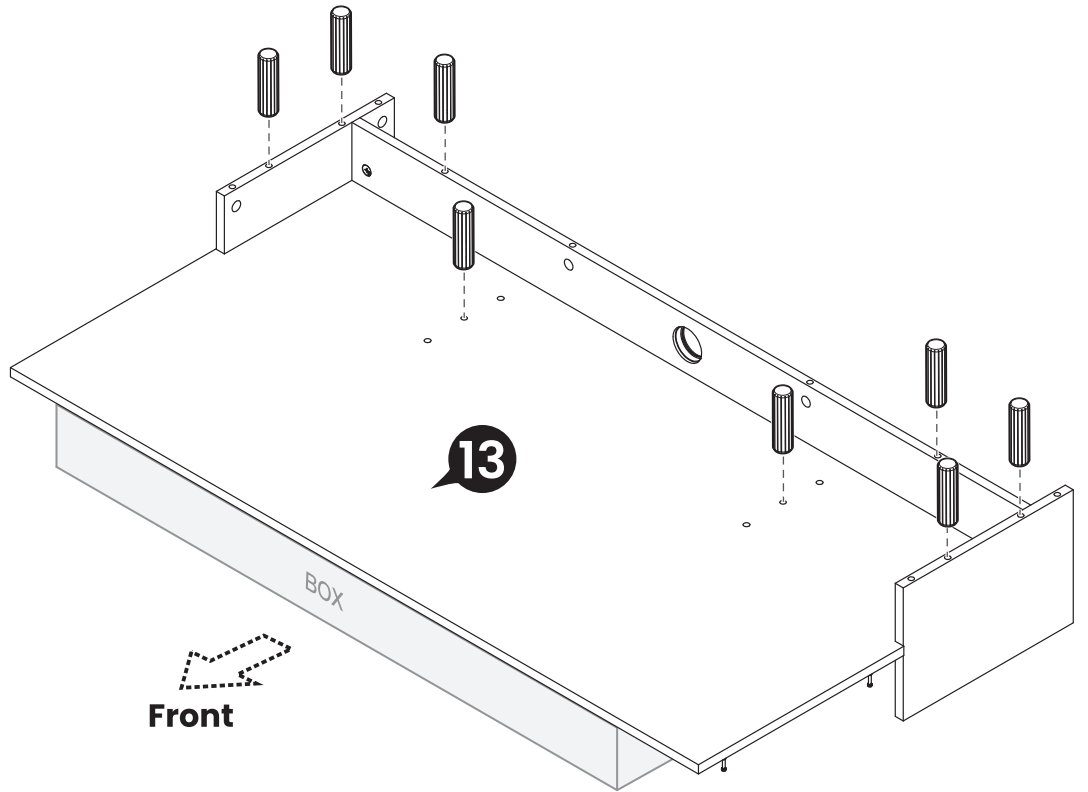
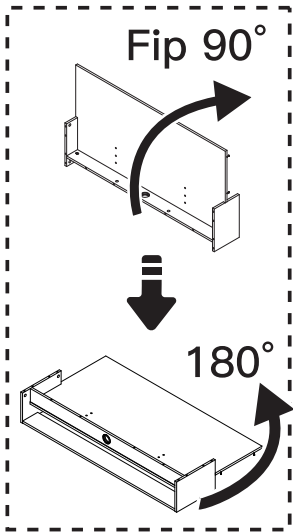
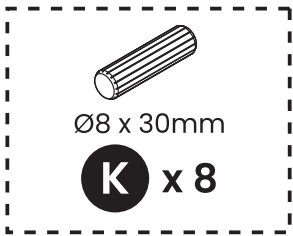

 Ø15 x 11mm
J1 x 2

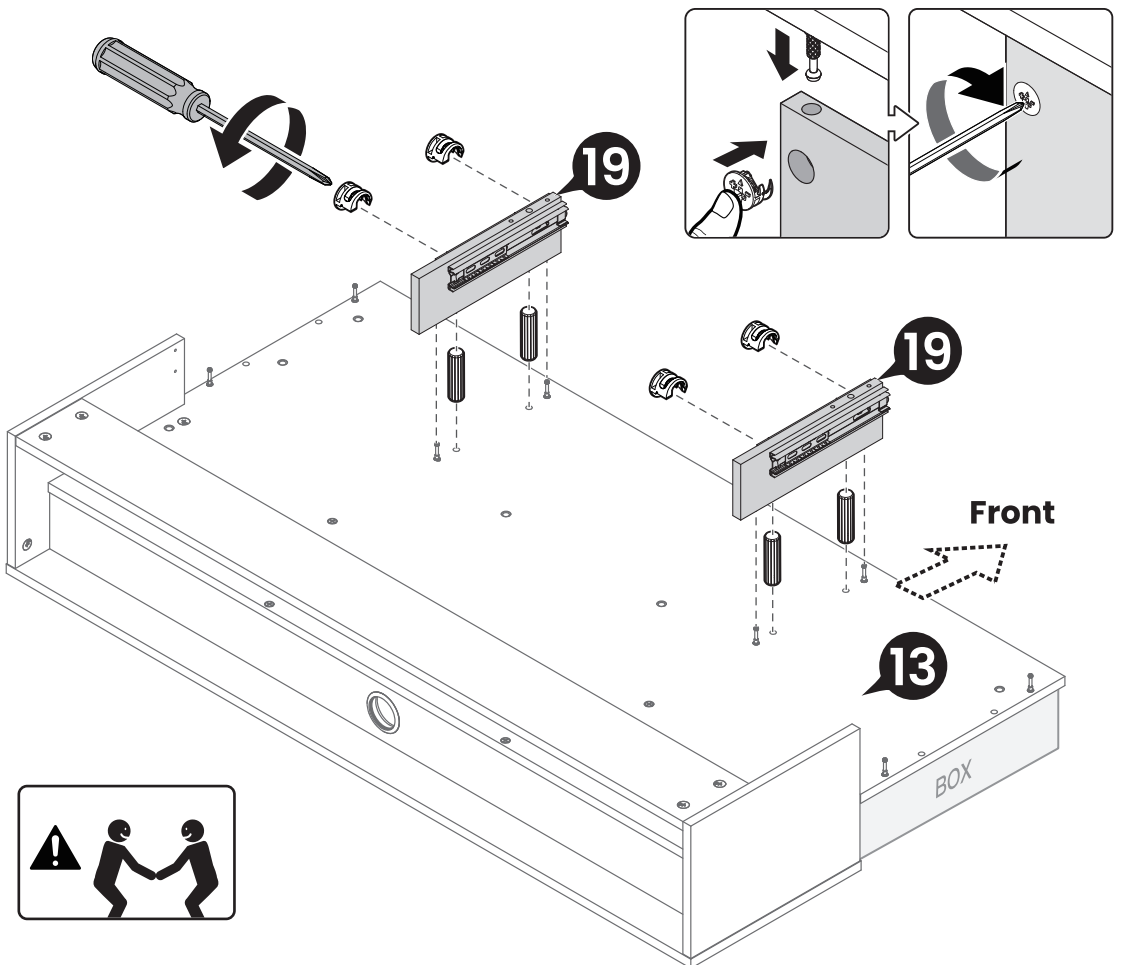
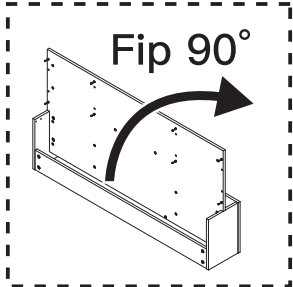
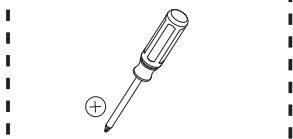
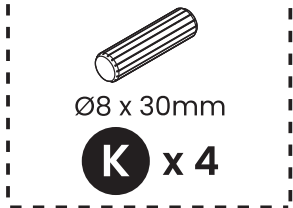
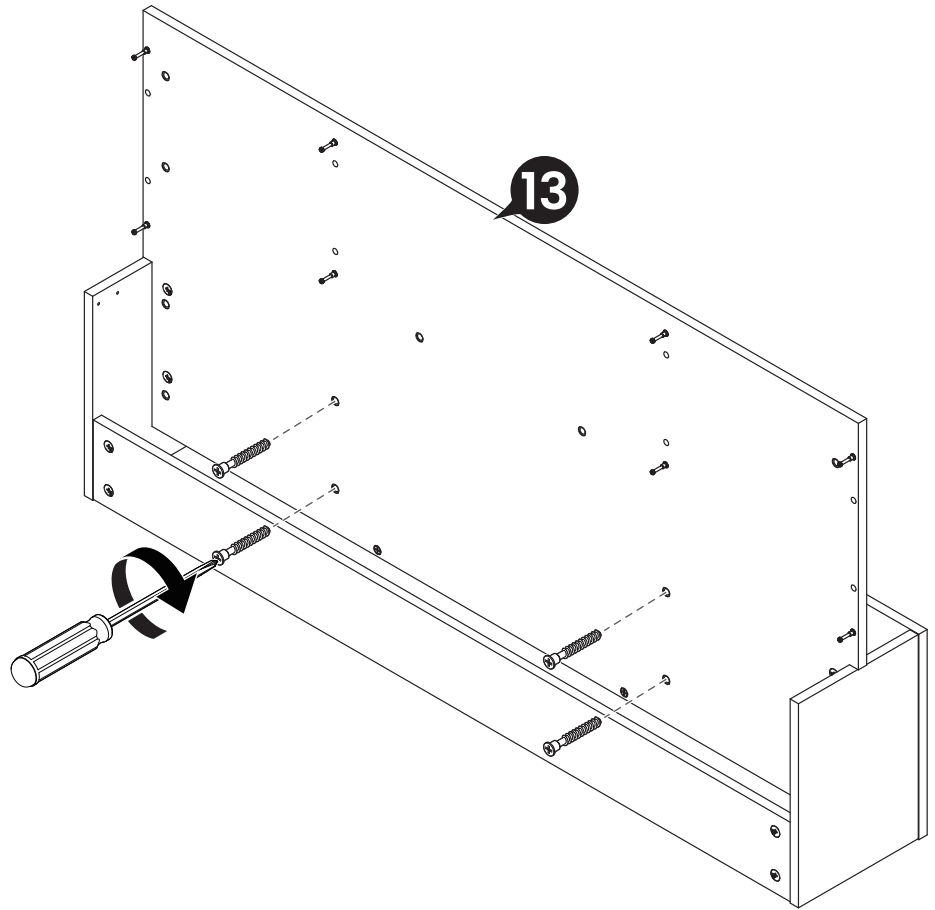
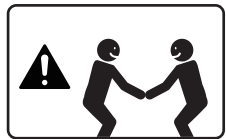
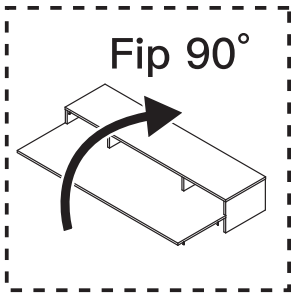
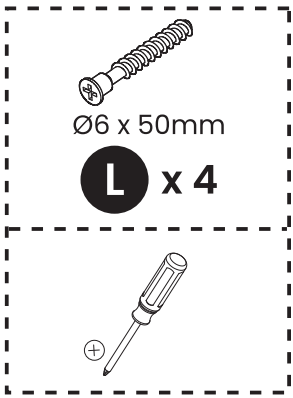


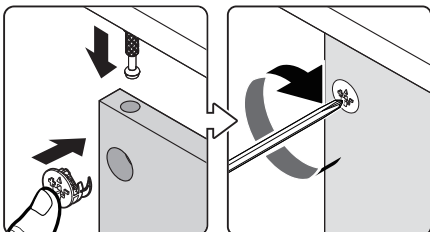
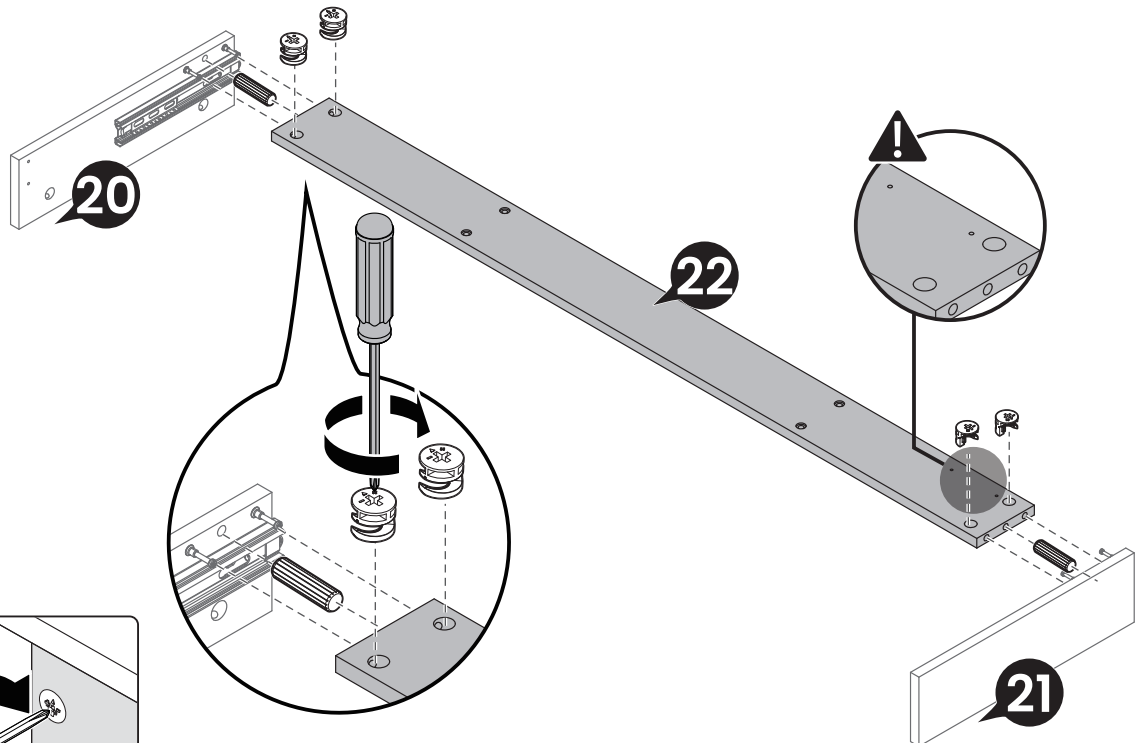
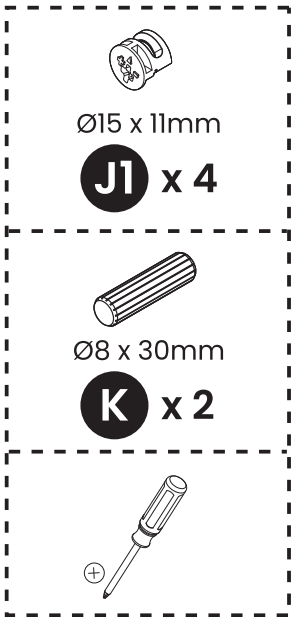
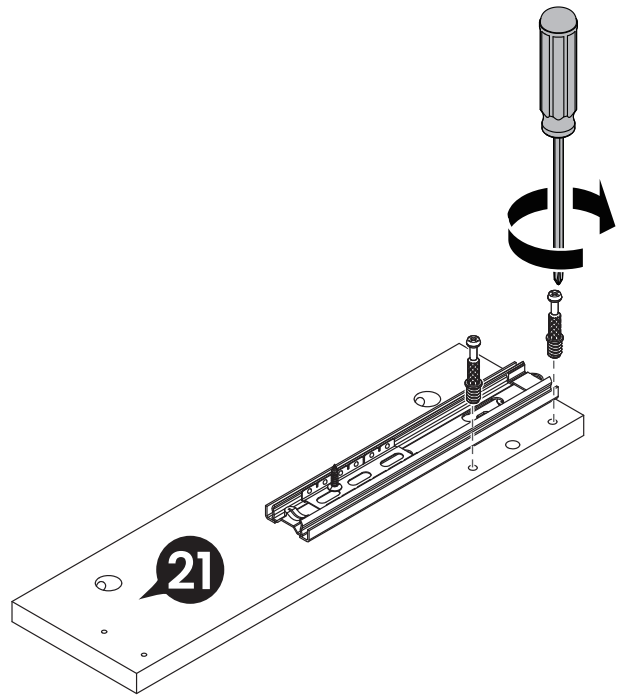
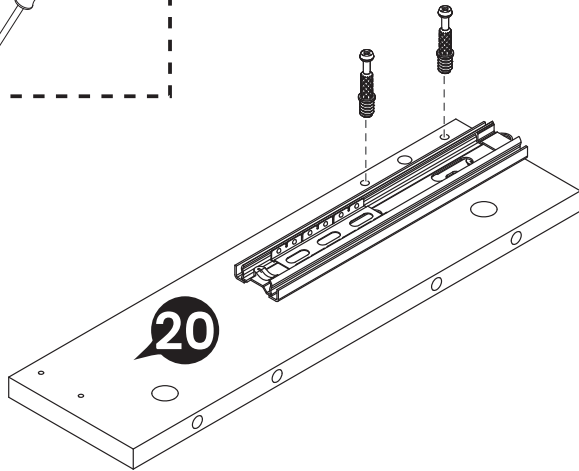
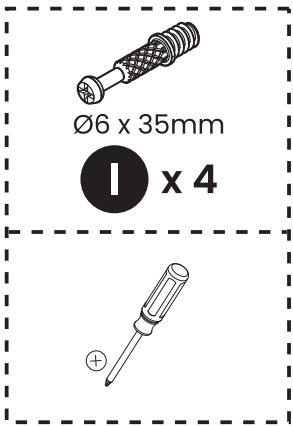
Fip 90°


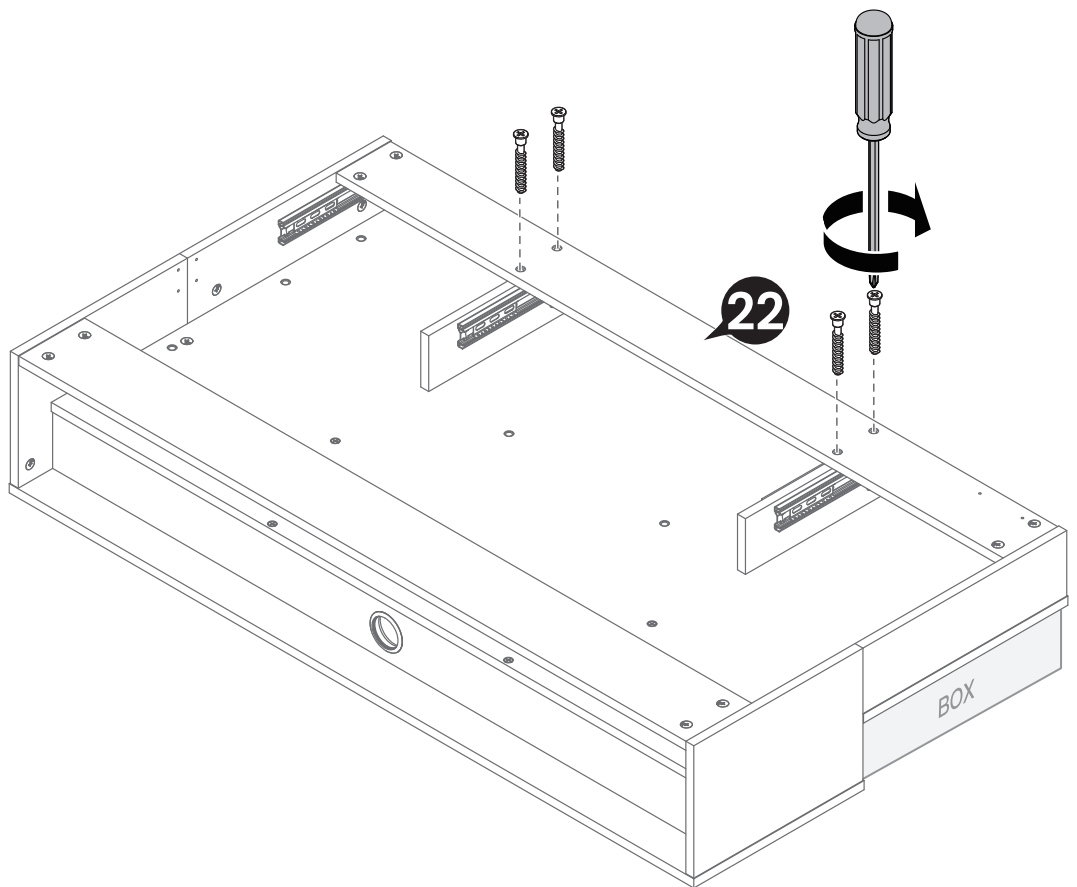
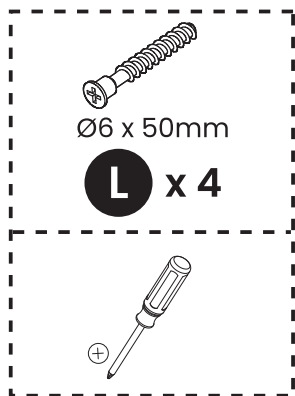
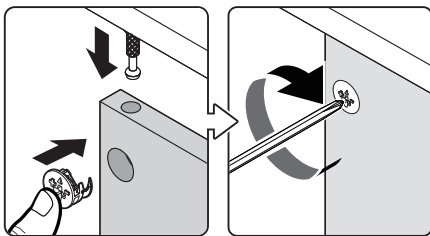
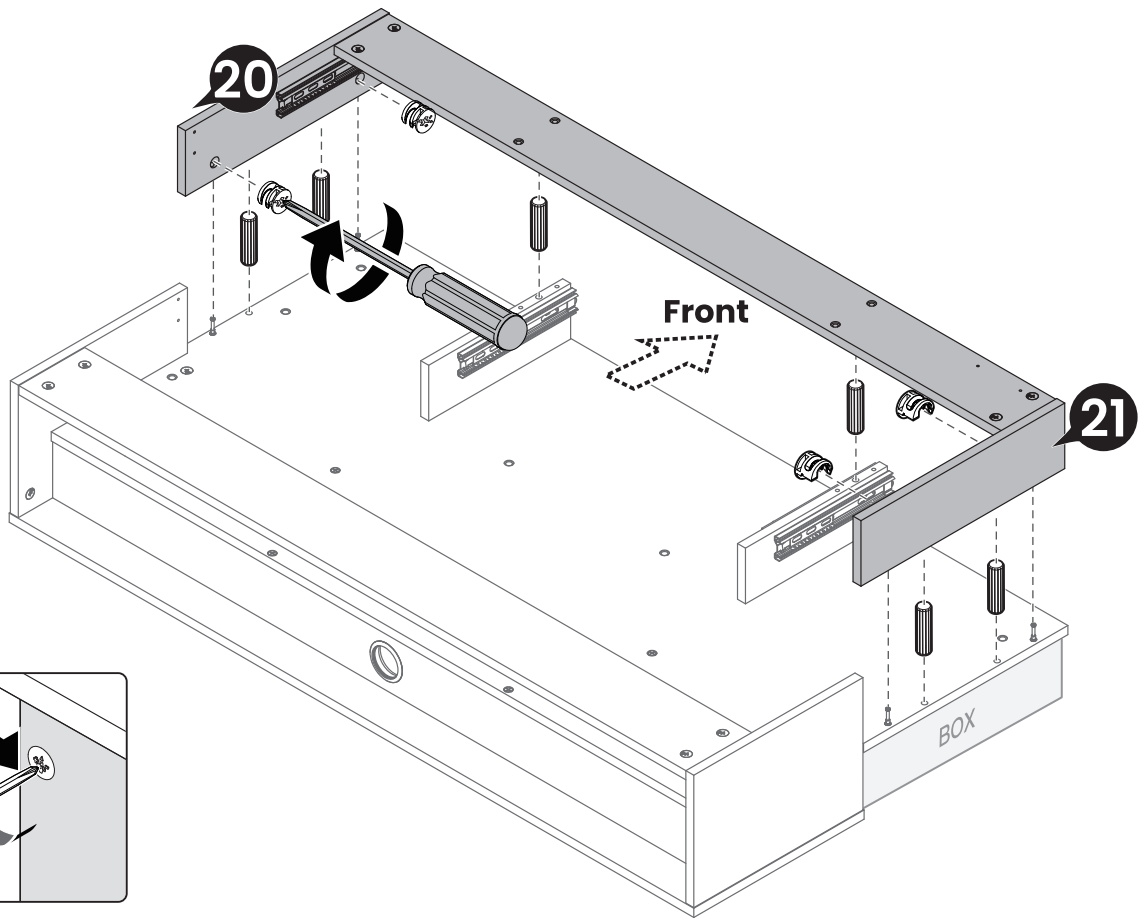
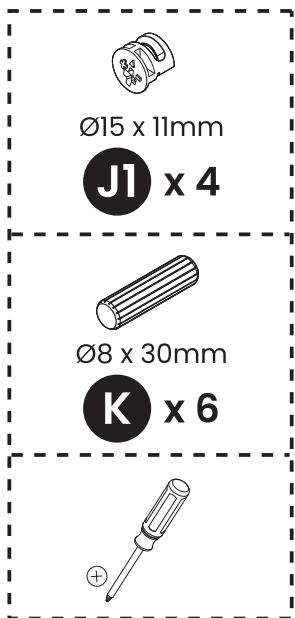


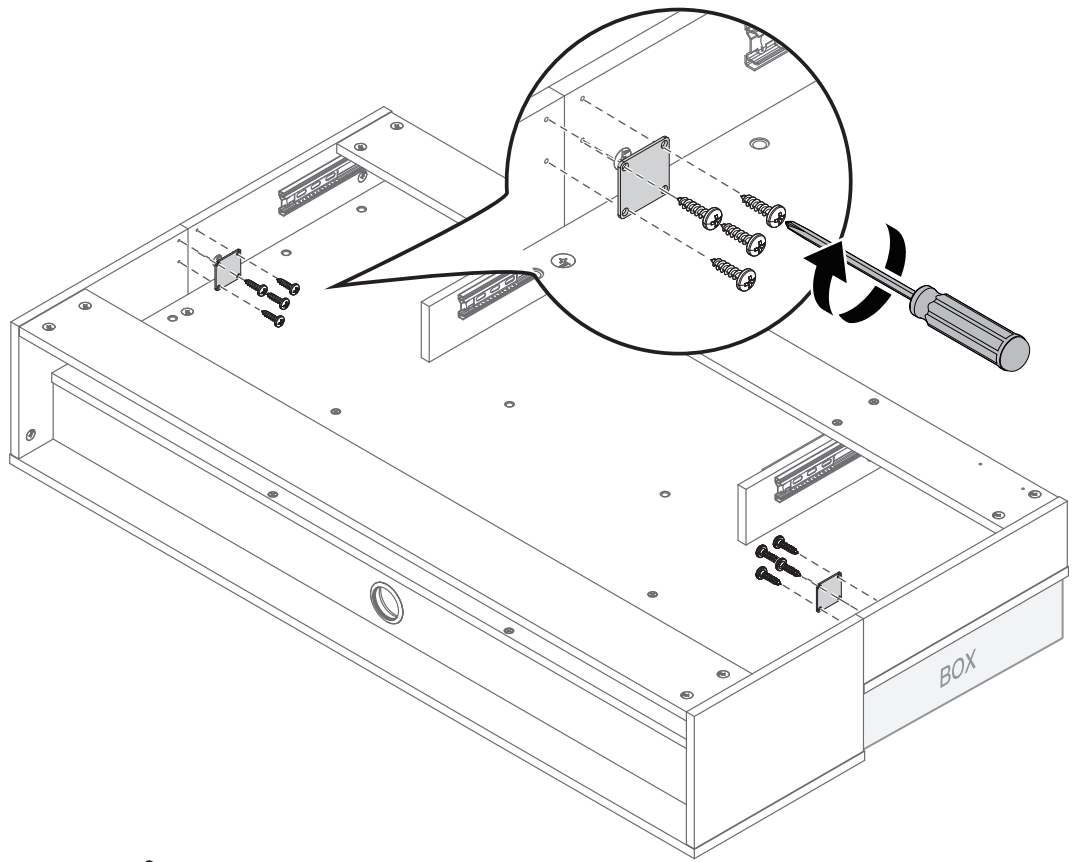
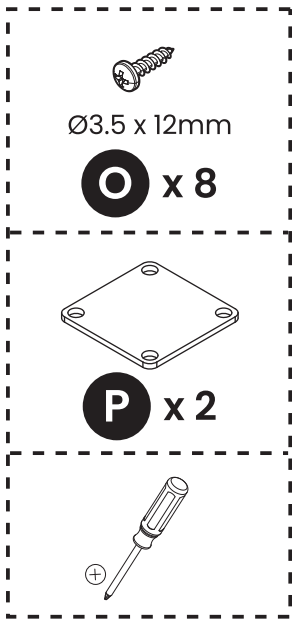




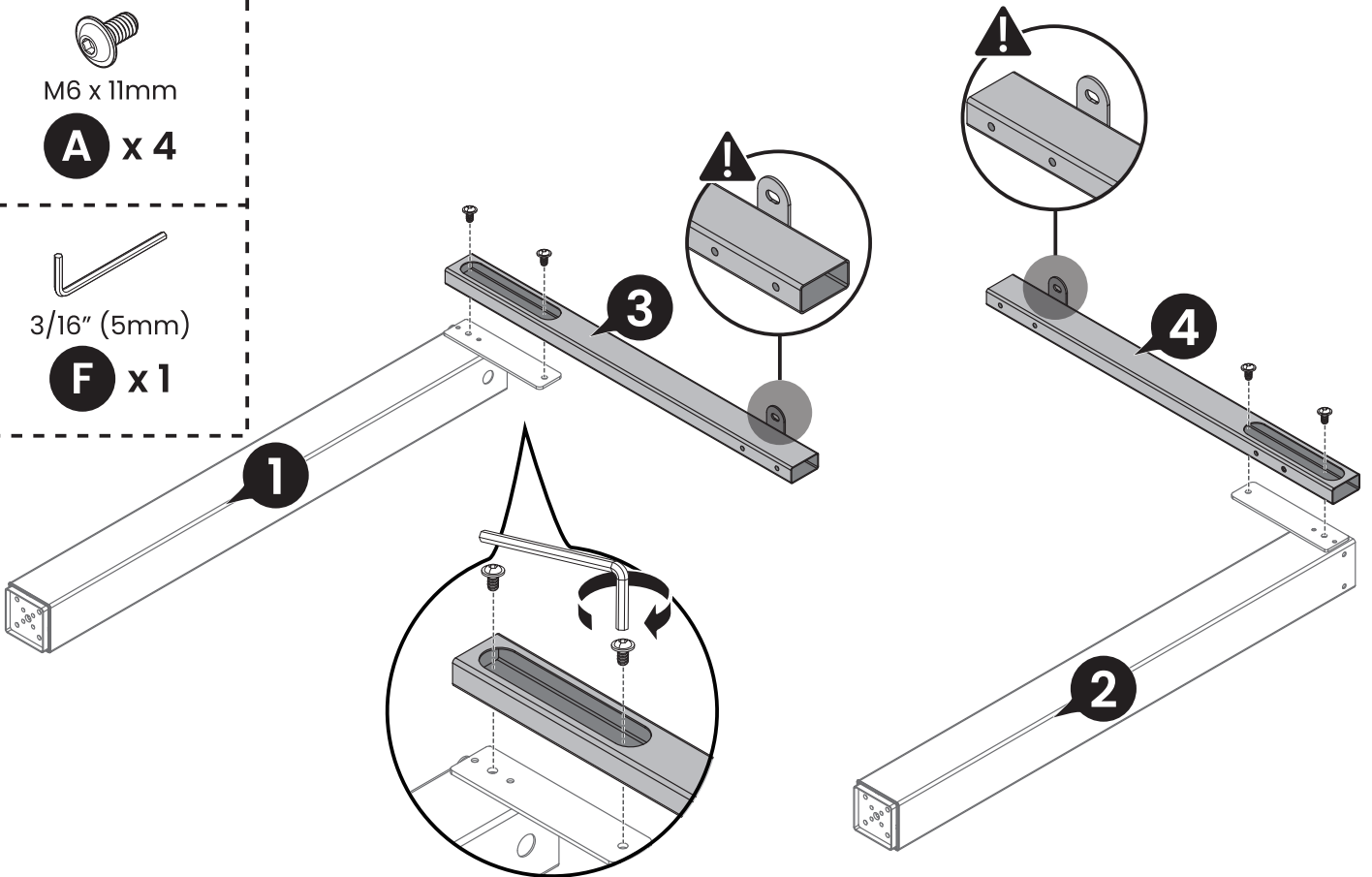
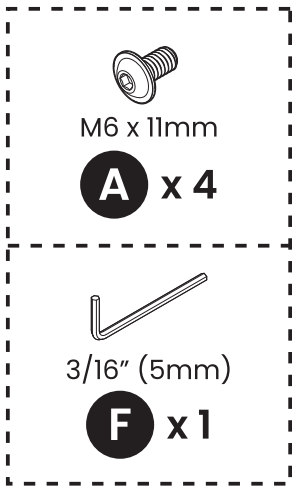








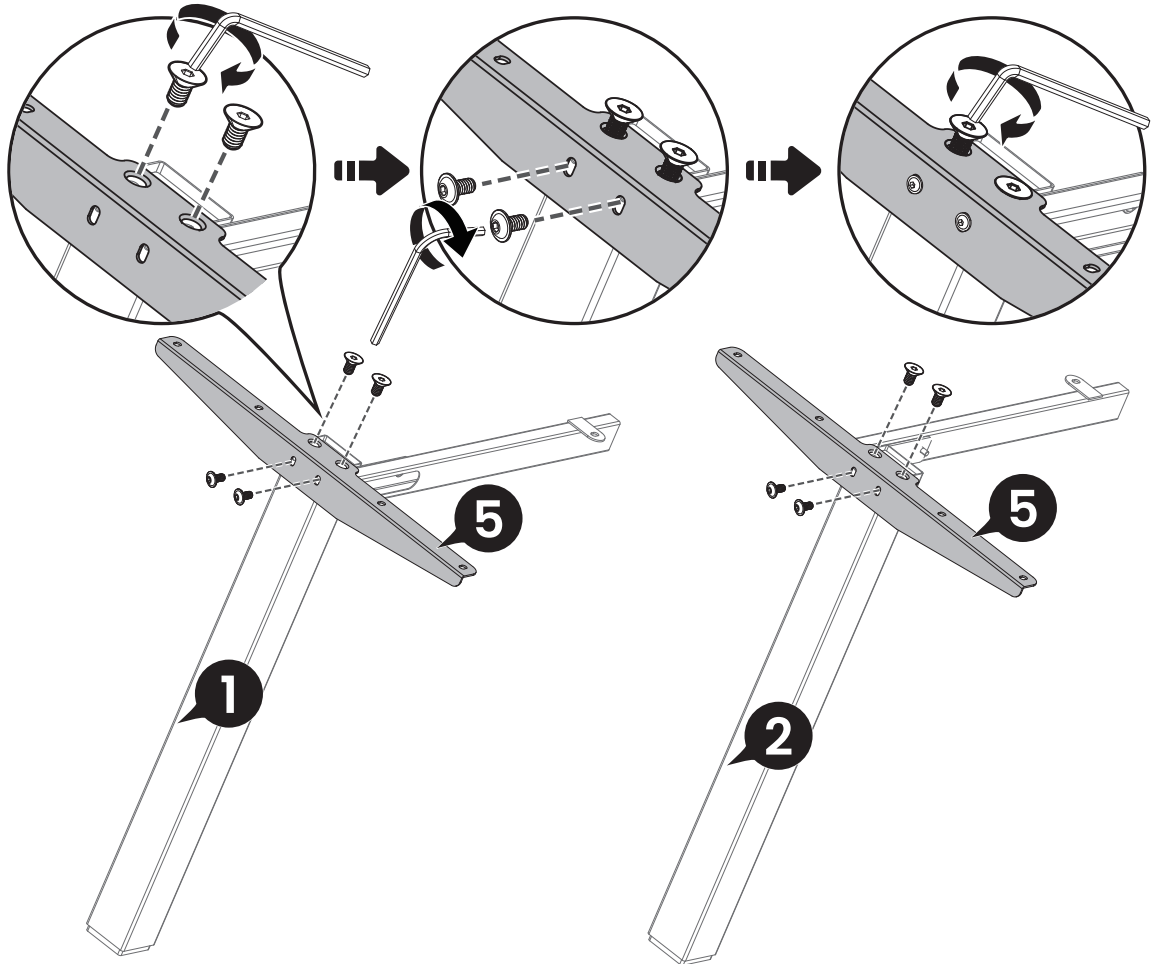
2 Assembling the Frame



M6 x 11mm
A x 4

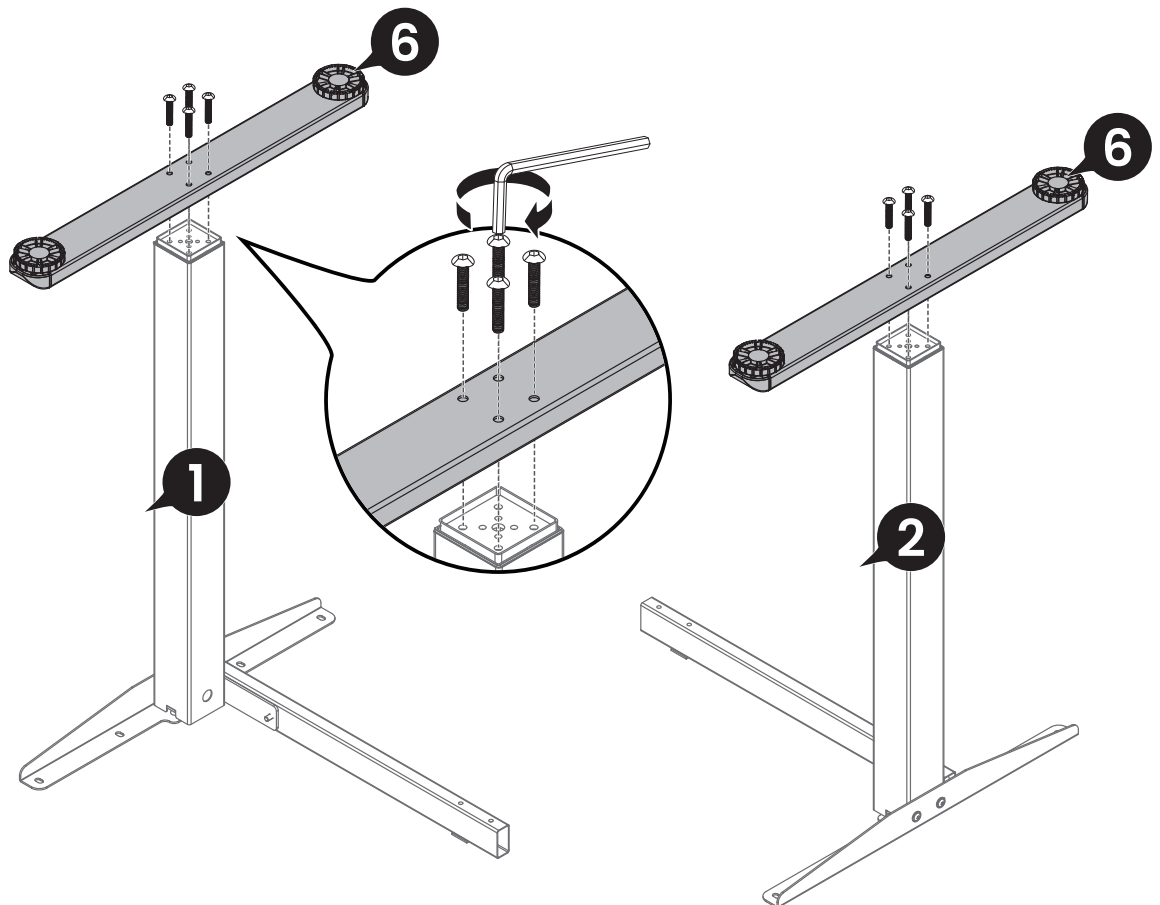
M8 x 12mm
B x 4

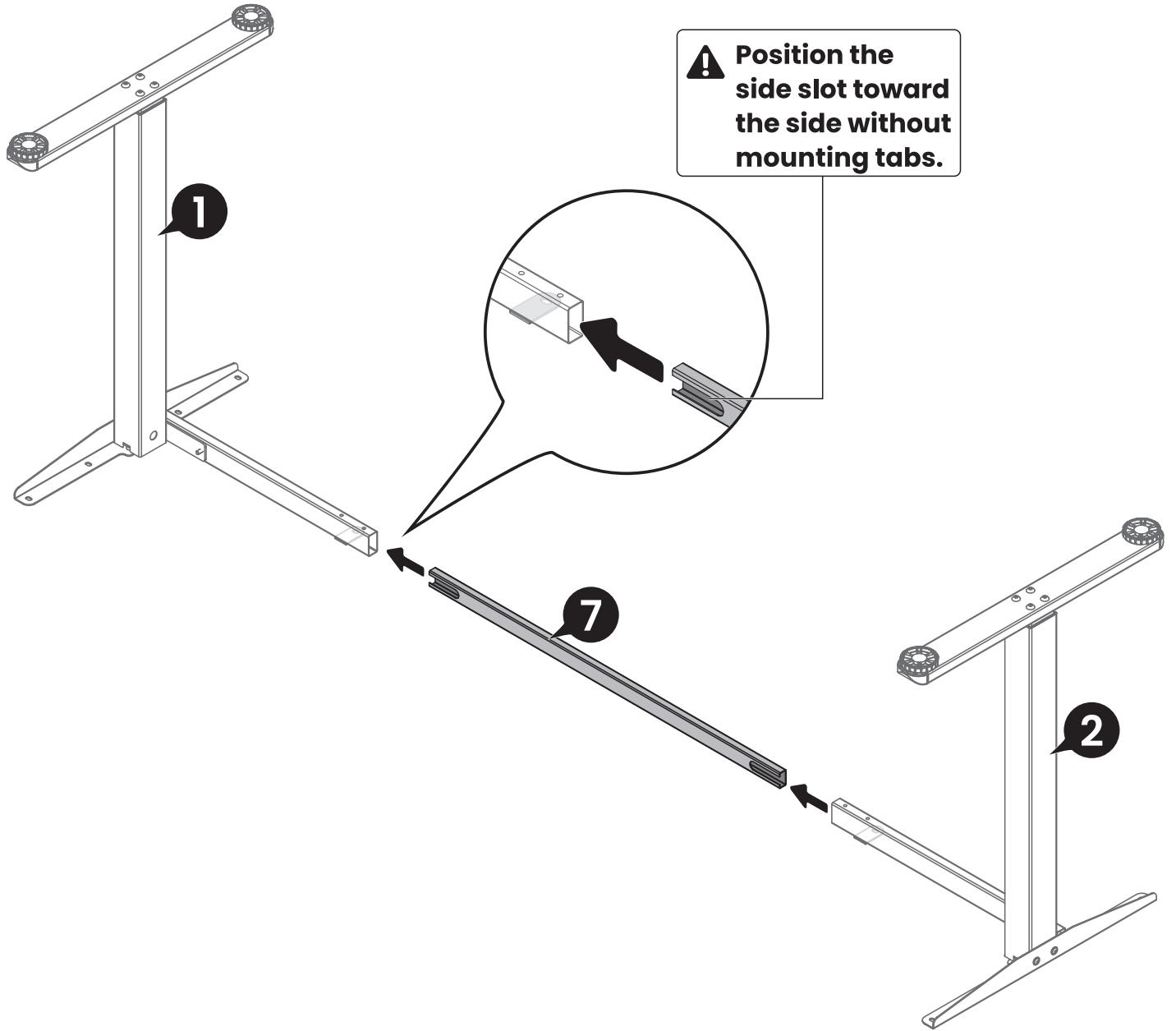
3/16" (5mm)
F x 1



M6 x 35mm
E x 8

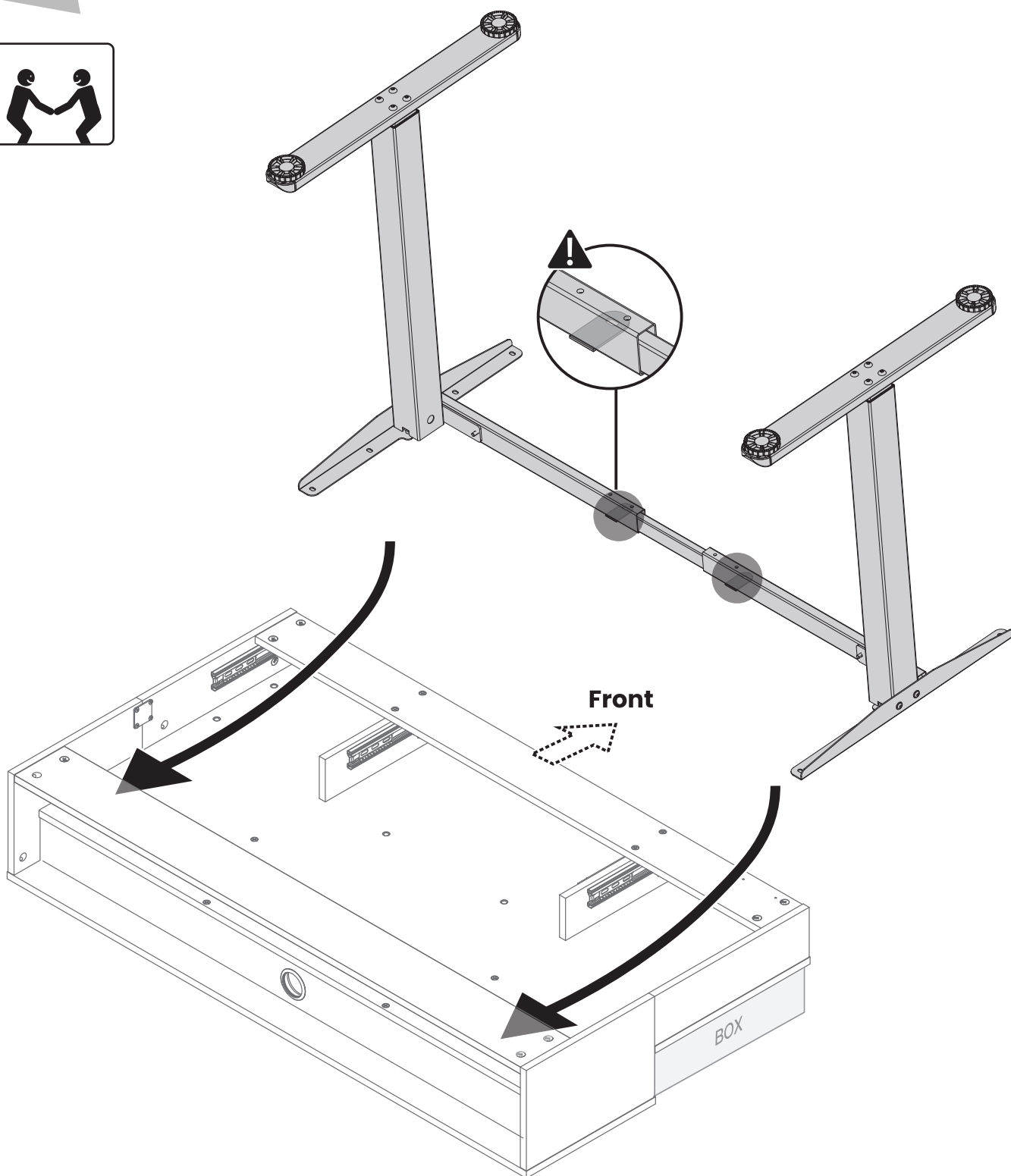
3/16" (5mm)
F x 1

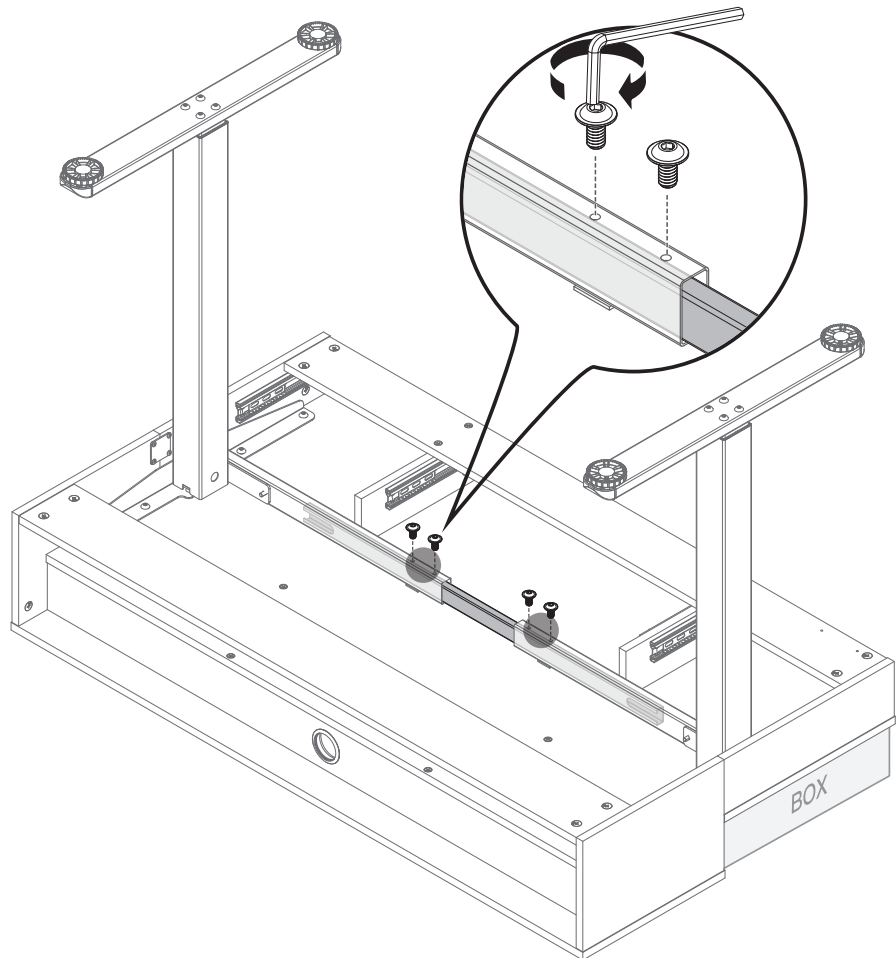
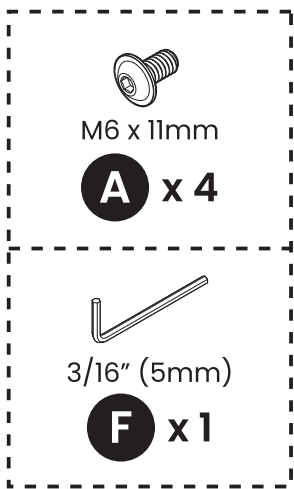
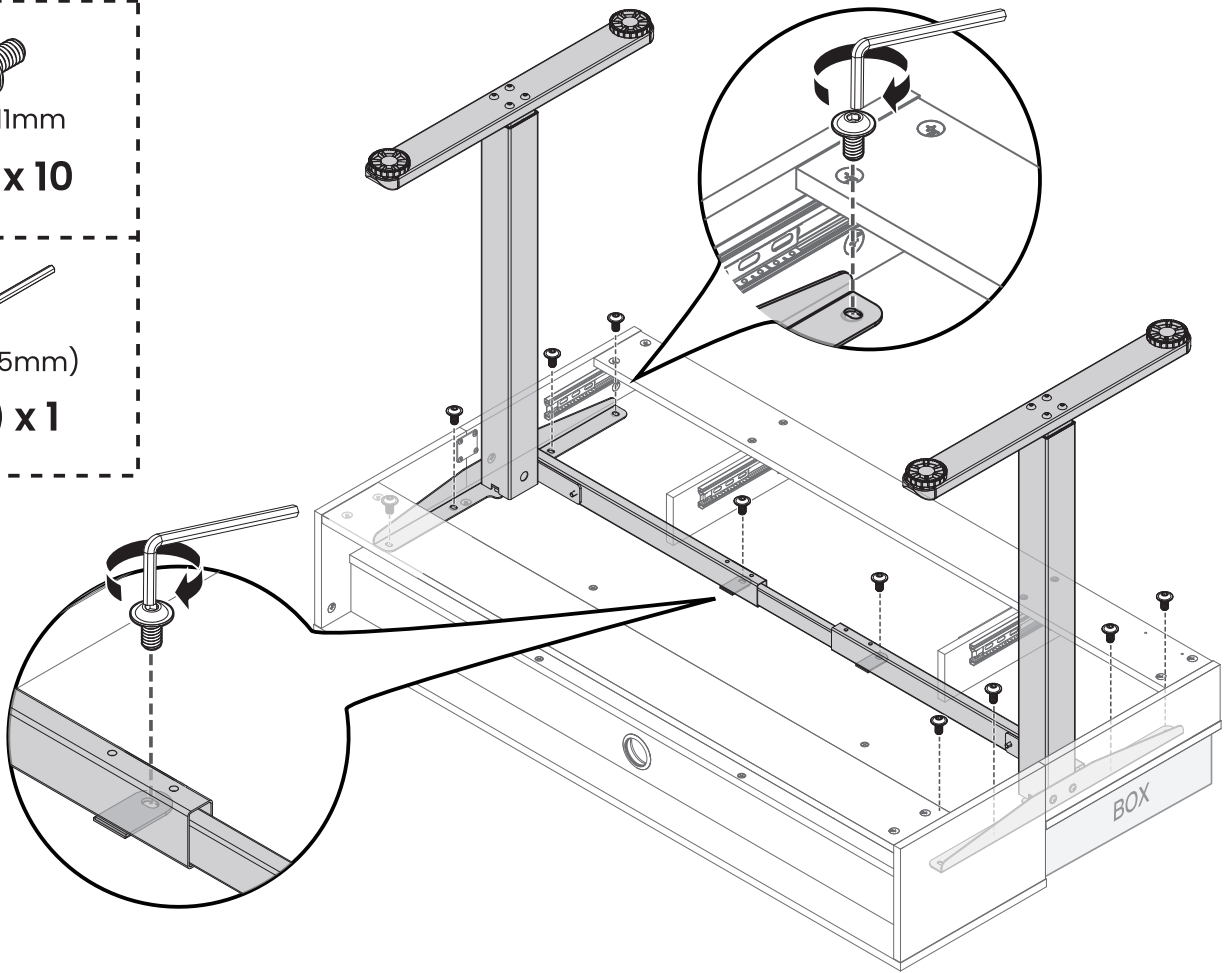
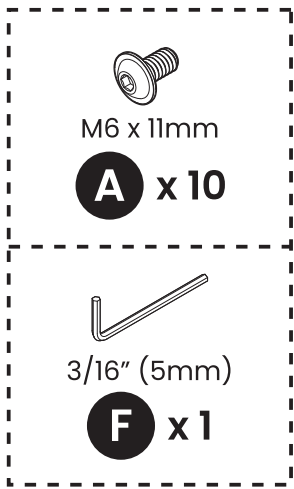




3

Attaching the Frame and the Controller

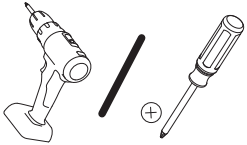






M5 x 12mm

D x 2



+

+

+

+

+

+

+

+

+

+

+

+

+

+

+

+

+

+

+

+

+

+

+

+

+

+

+

+

+

+

+

+

+

+

+

+

+

+

+

+

+

+

+

+

+

+

+

+

+

+

+

+

+

+

+

+

+

+

+

+

+

+

+

+

+

+

+

+

+

+

+

+

+

+

+

+

+

+

+

+

+

+

+

+

+

+

+

+

+

+

+

+

+

+

+

+

+

+

+

+

+

+

+

+

+

+

+

+

+

+

+

+

+

+

+

+

+

+

+

+

+

+

+

+

+

+

+

+

+

+

+

+

+

+

+

+

+

+

+

+

+

+

+

+

+

+

+

+

+

+

+

+

+

+

+

+

+

+

+

+

+

+

+

+

+

+

+

+

+

+

+

+

+

+

+

+

+

+

+

+

+

+

+

+

+

+

+

+

+

+

+

+

+

+

+

+

+

+

+

+

+

+

+

+

+

+

+

+

+

+

+

+

+

+

+

+

+

+

+

+

+

+

+

+

+

+

+

+

+

+

+

+

+

+

+

+

+

+

+

+

+

+

+

+

+

+

+

+

+

+

+

+

+

+

+

+

+

+

+

+

+

+

+

+

+

+

+

+

+

+

+

+

+

+

+

+

+

+

+

+

+

+

+

+

+

+

+

+

+

+

+

+

+

+

+

+

+

+

+

+

+

+

+

+

+

+

+

+

+

+

+

+

+

+

+

+

+

+

+

+

+

+

+

+

+

+

+

+

+

+

+

+

+

+

+

+

+

+

+

+

+

+

+

+

+

+

+

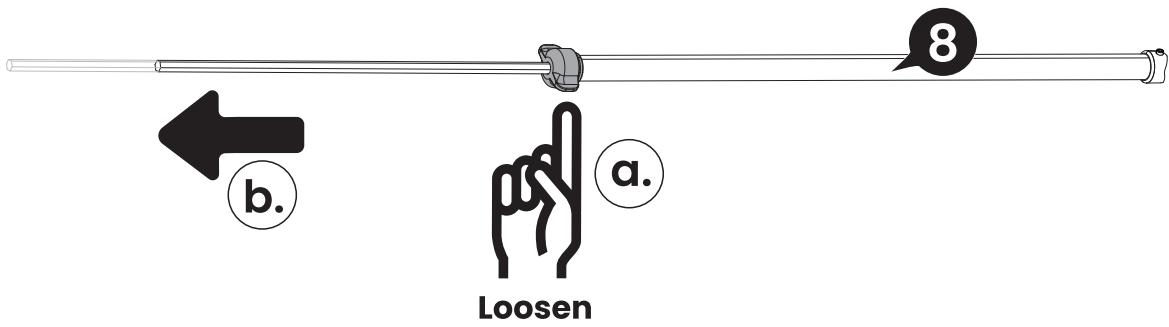
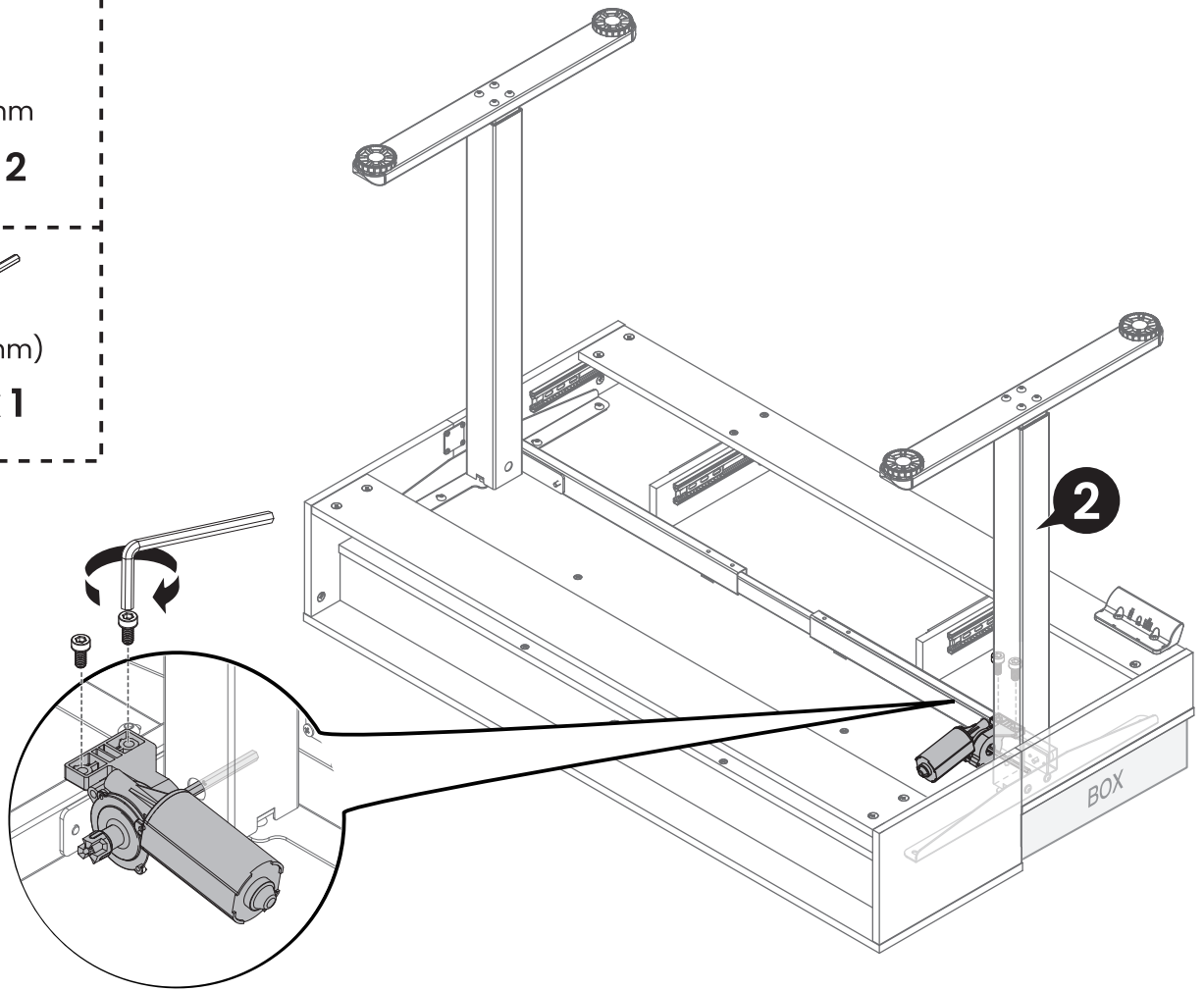
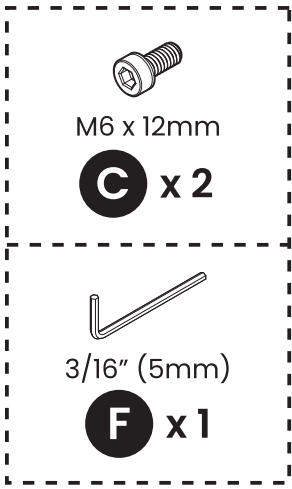
+

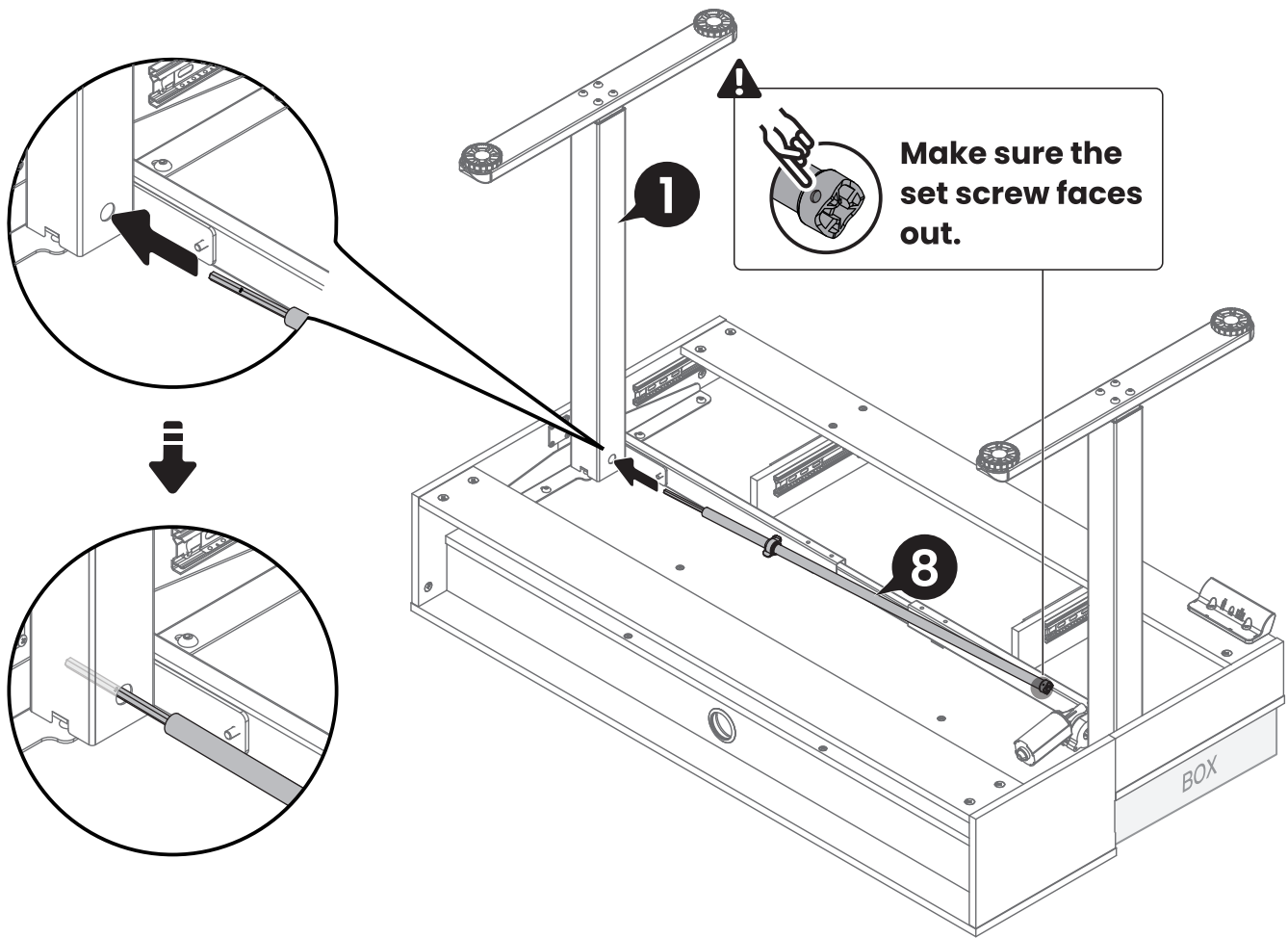
+

+

+

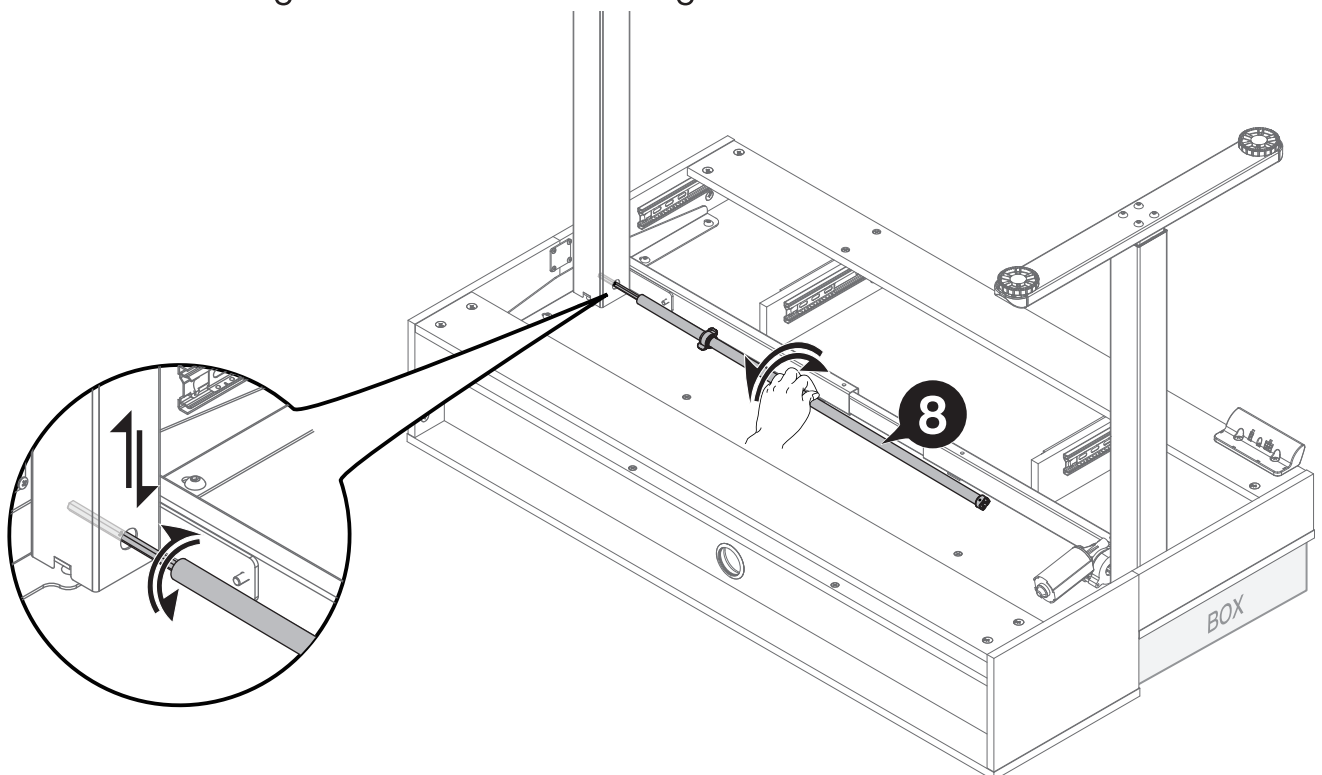
+

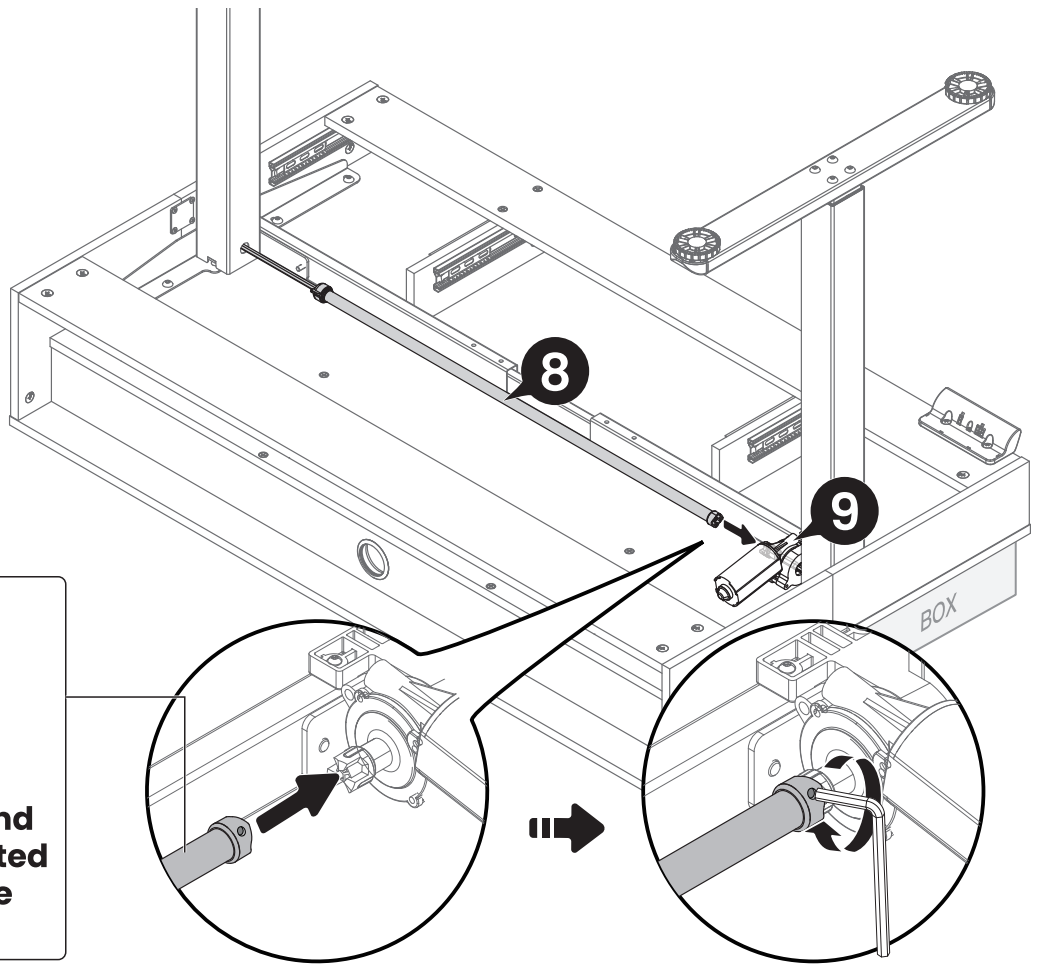
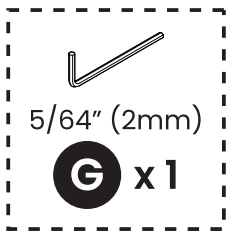




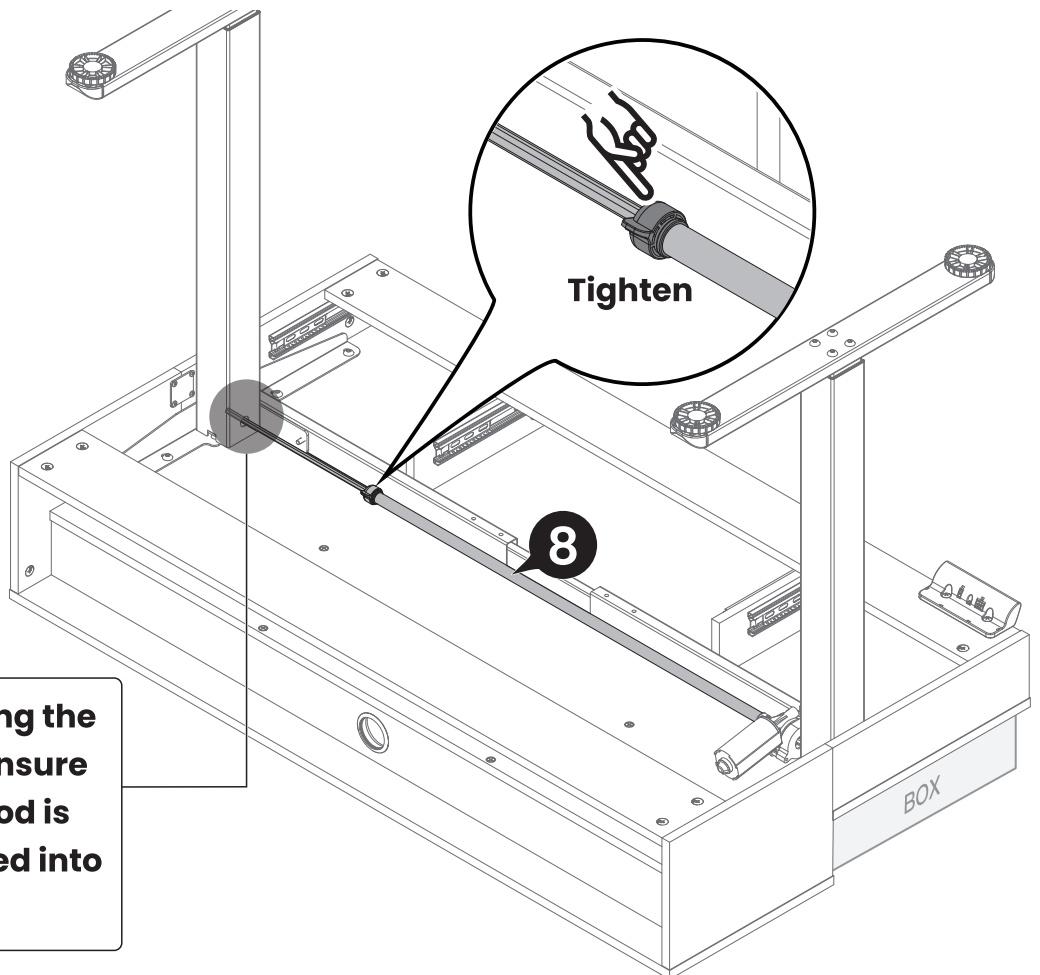
Adjust uneven desk legs if needed:

Measure the height of each leg to see if they are set at the same level. If not, turn the rod to raise or lower the leg until it's level with the leg with motor.





!
If the rod's other end cannot be connected properly, fine-tune the rod.

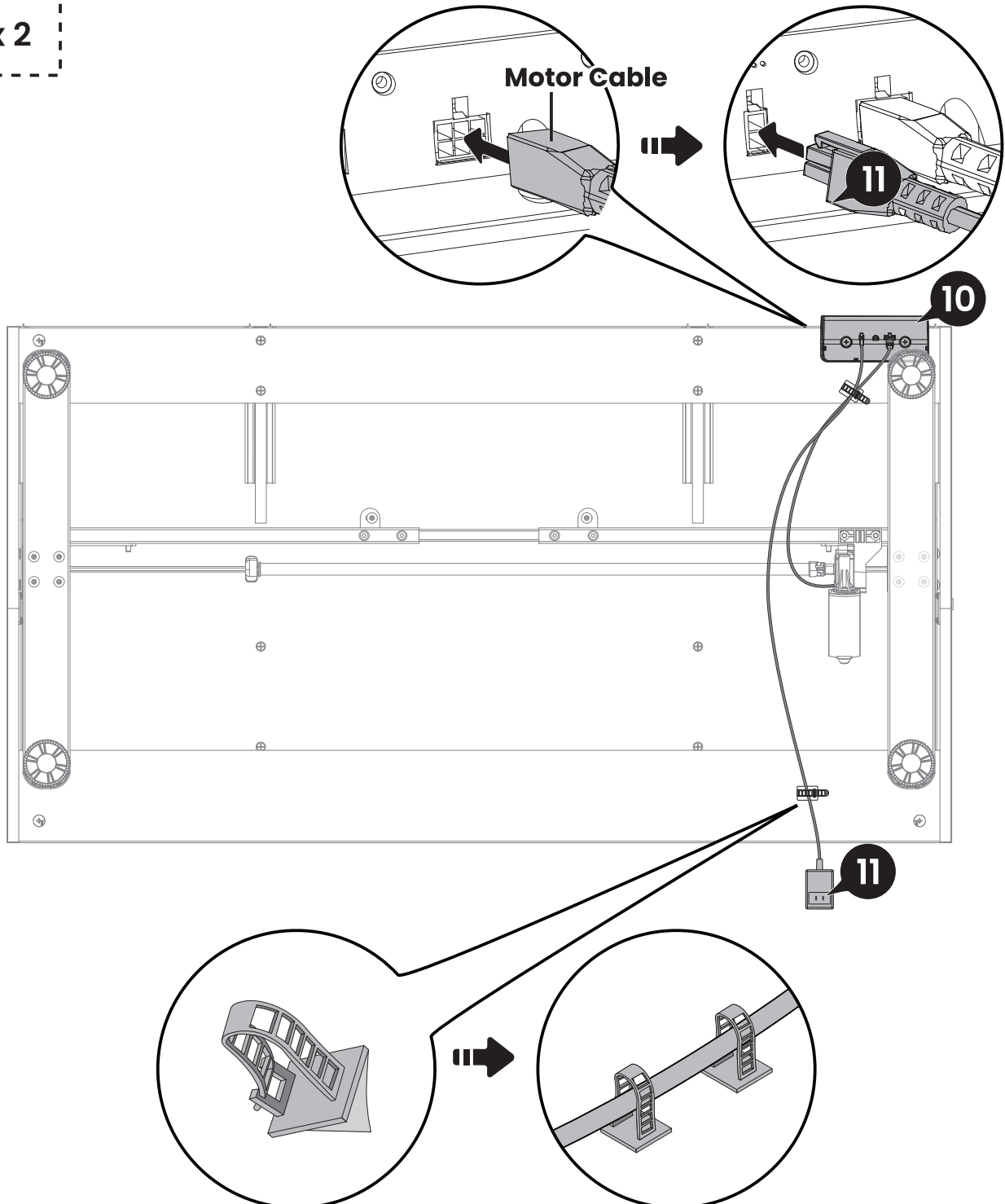


!
Before tightening the coupling nut, ensure the end of the rod is still fully inserted into the leg.

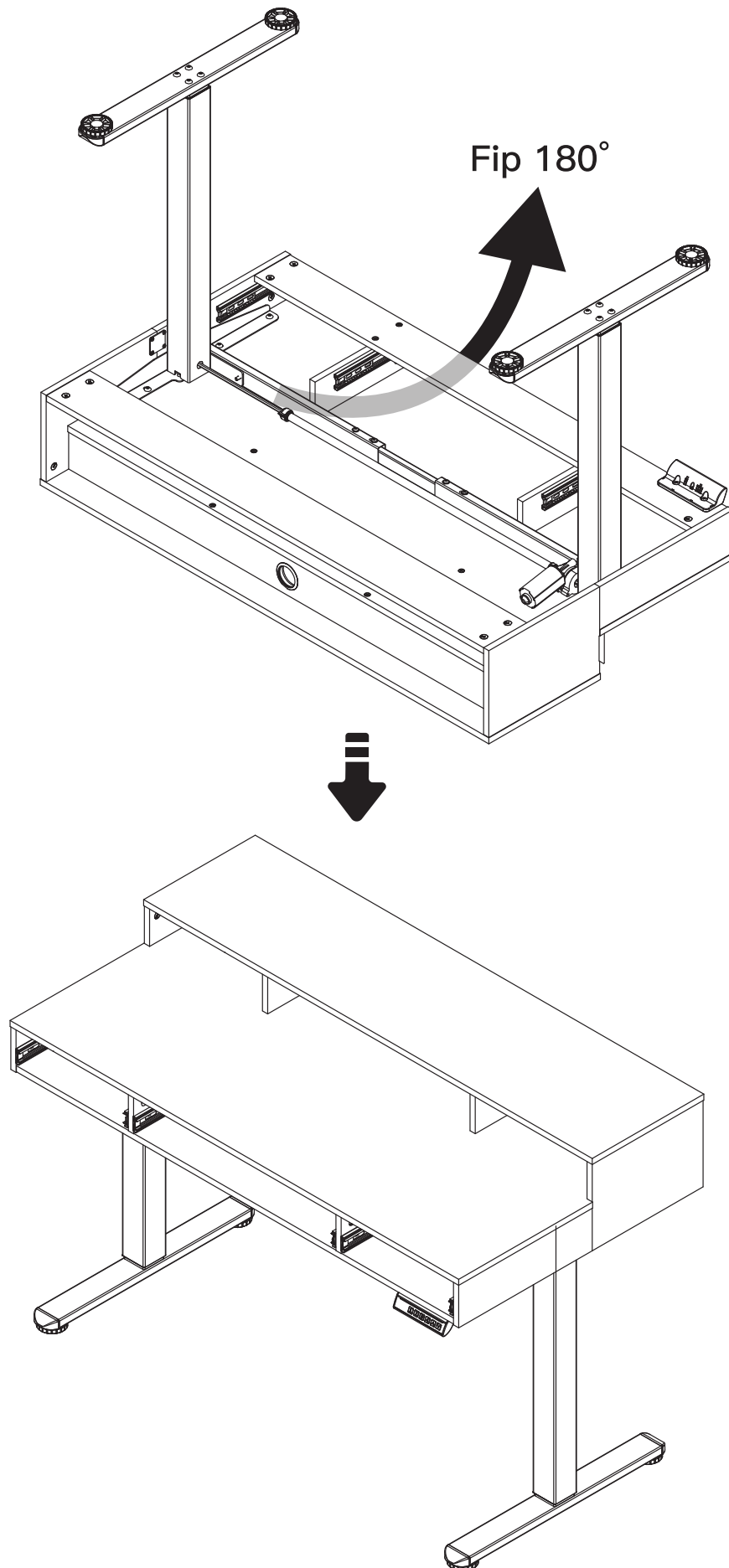
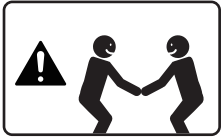
5

Connecting the Cables

 An example of a cable clip layout is indicated below. However, the cable clips can be arranged according to your needs.

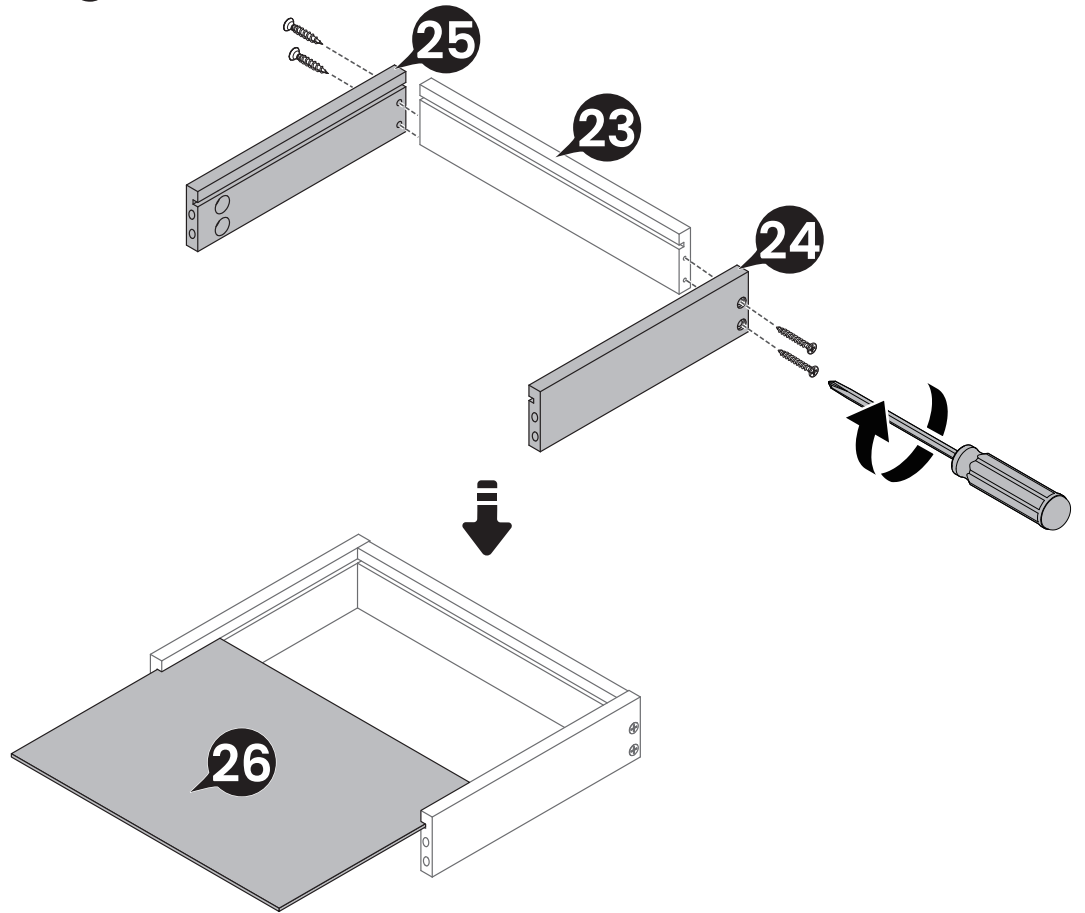
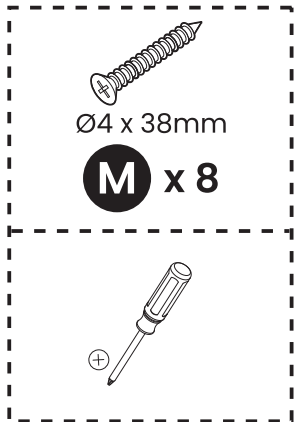


! When flipping the desk over, make sure the controller does not hit the ground, which could cause damage.

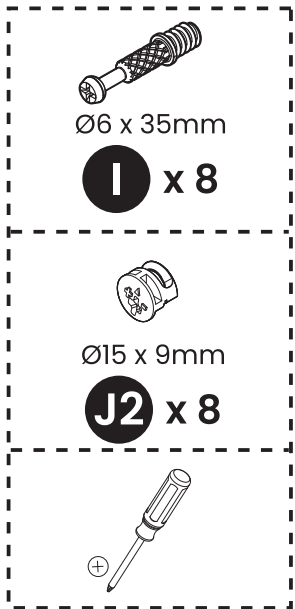


6

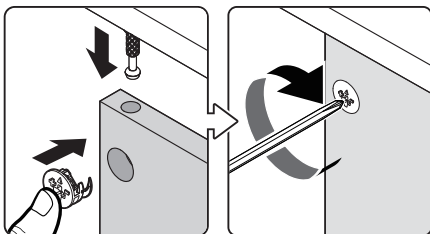
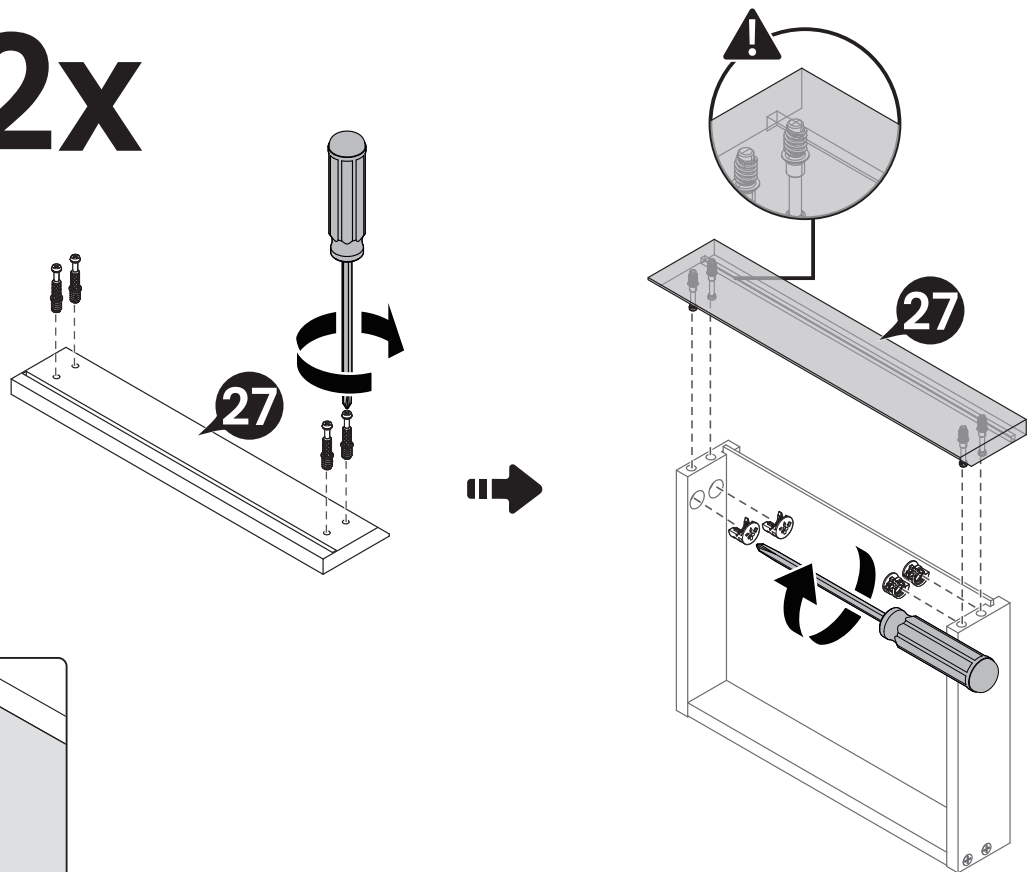
Attaching the Drawers

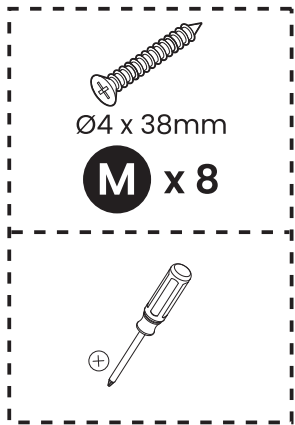


2x

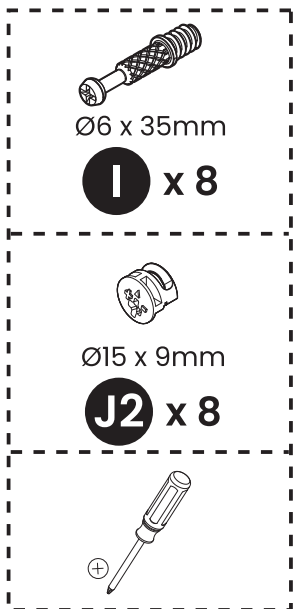
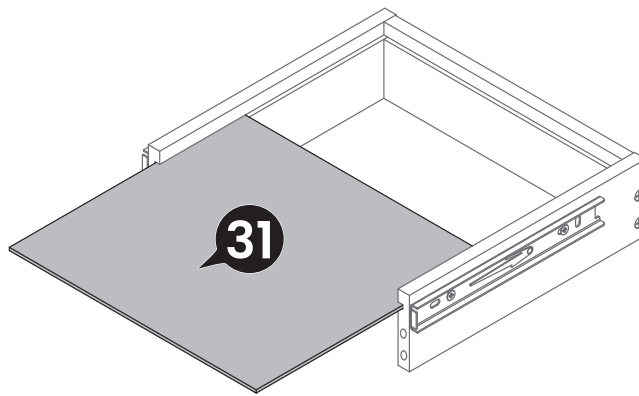
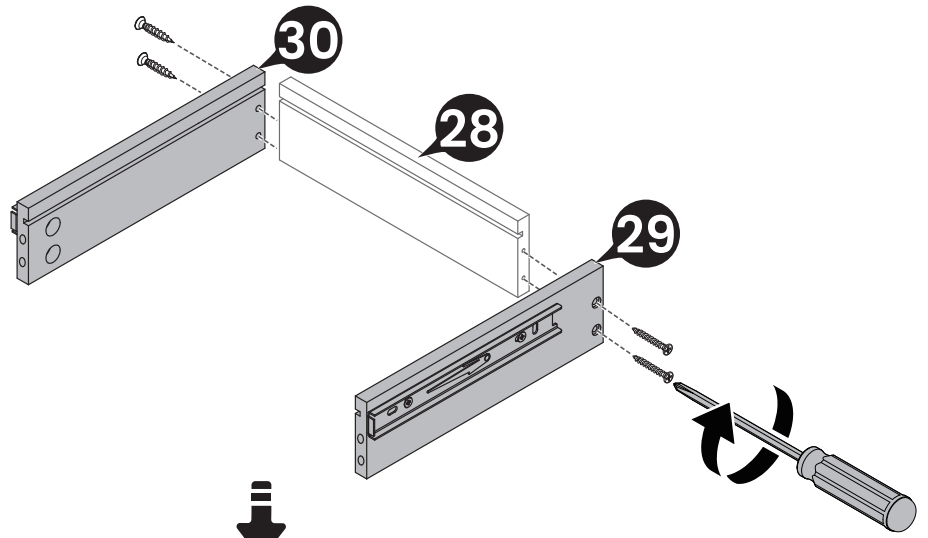


2x

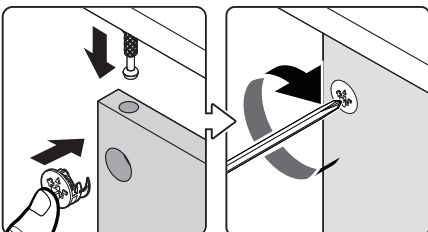
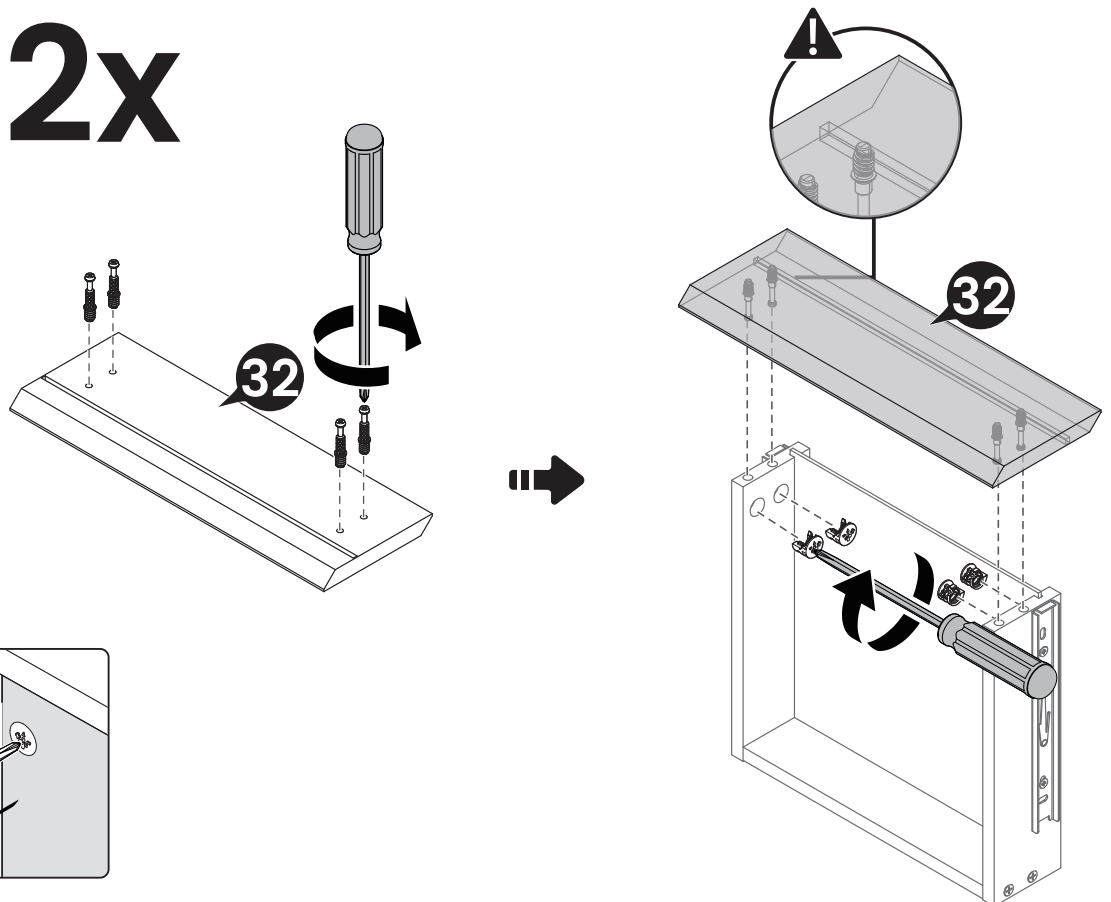


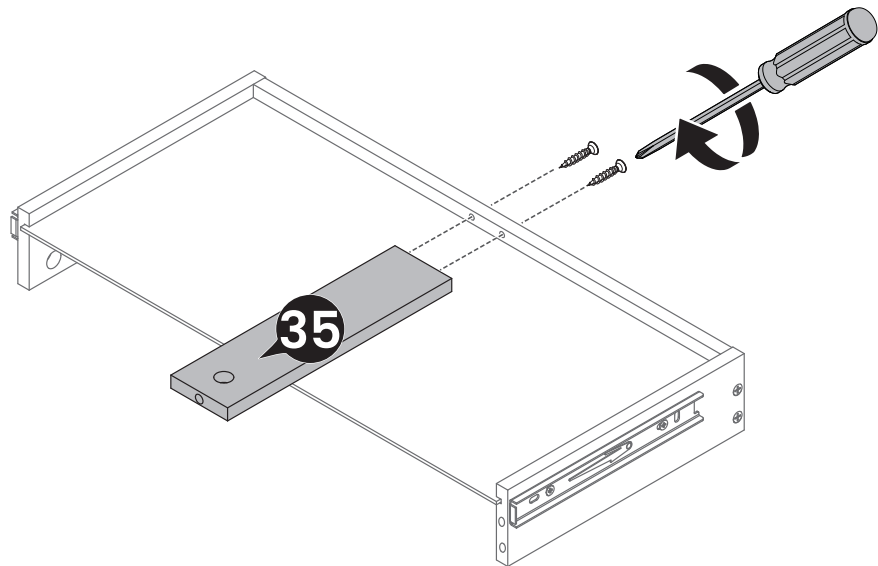
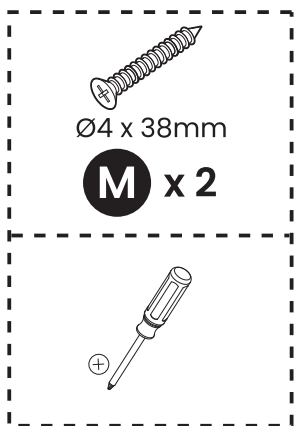
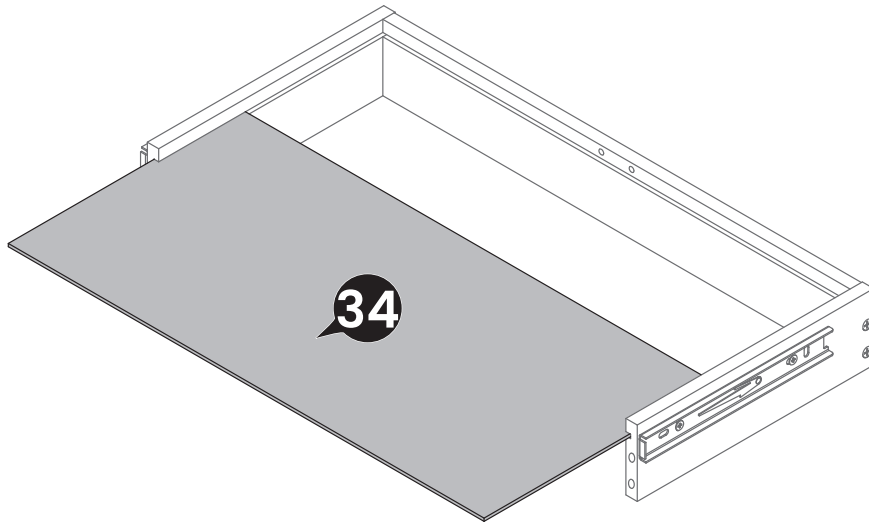
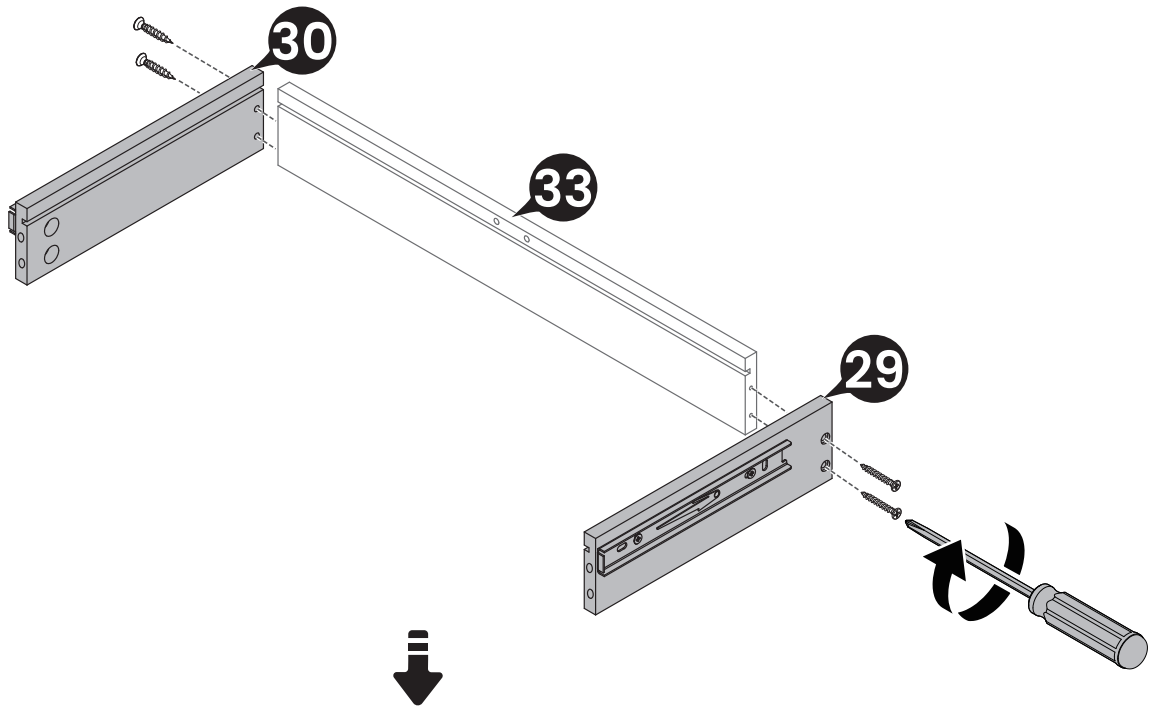
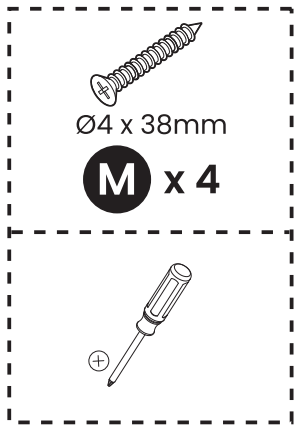


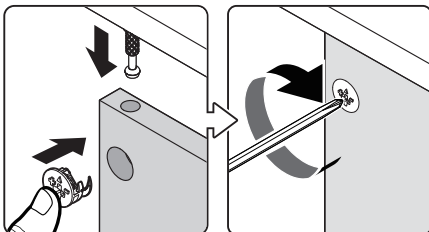
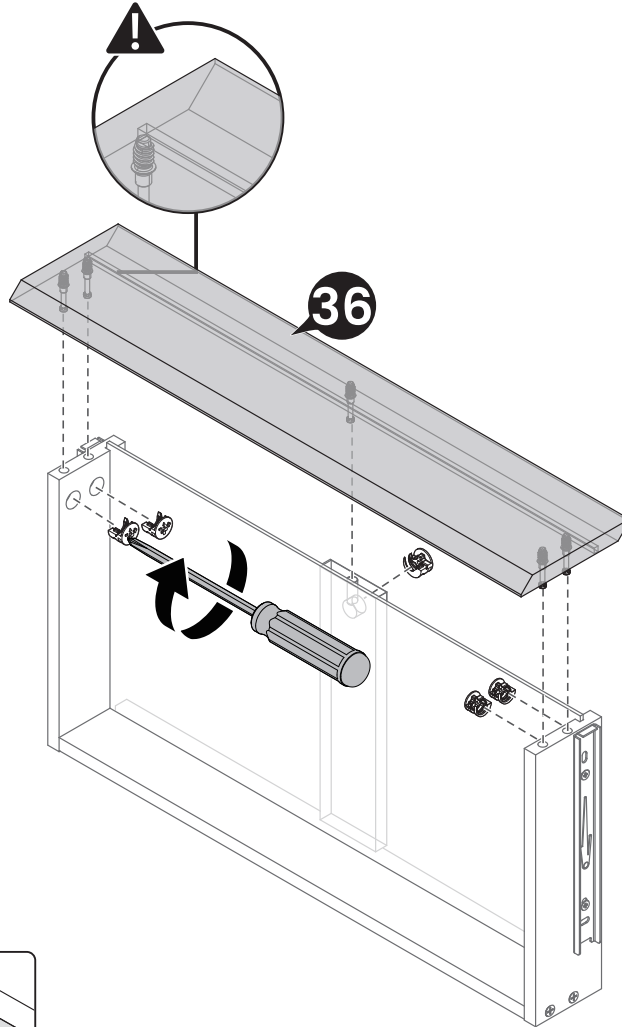
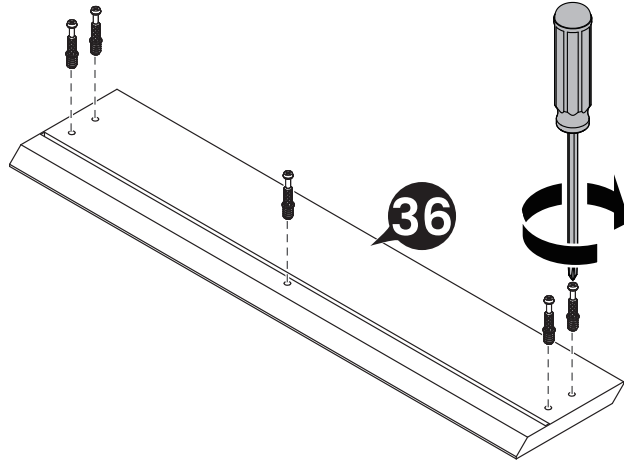
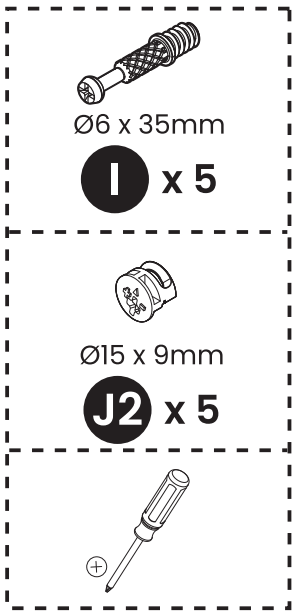
2x

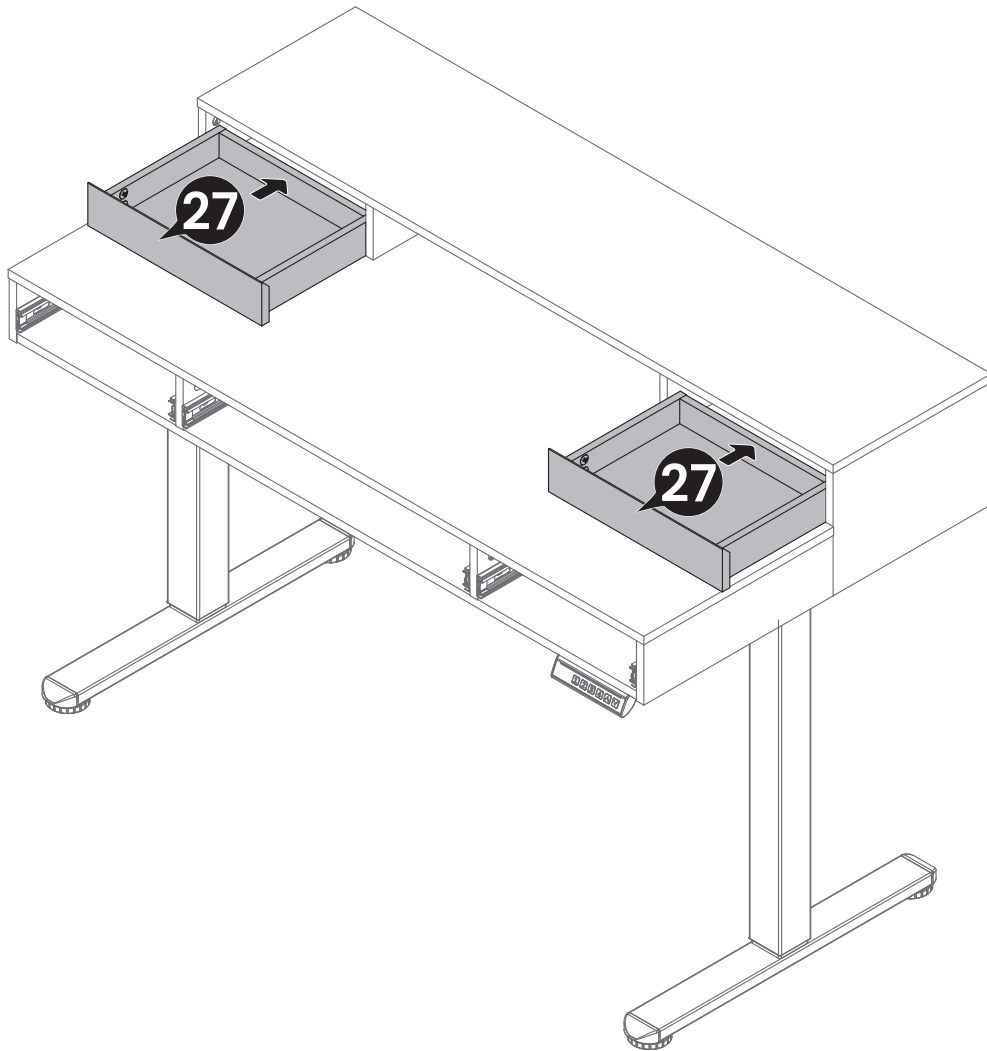


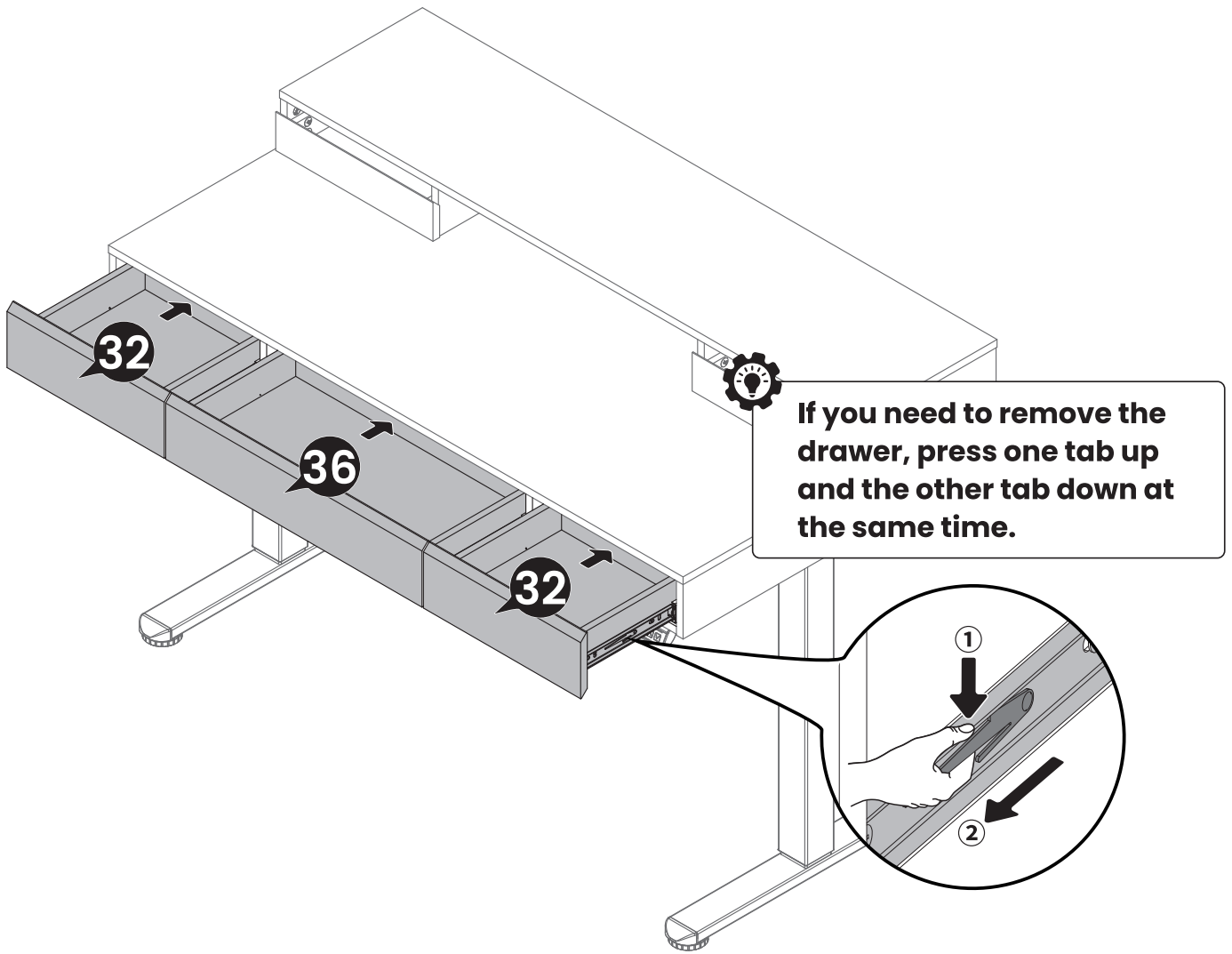
2x



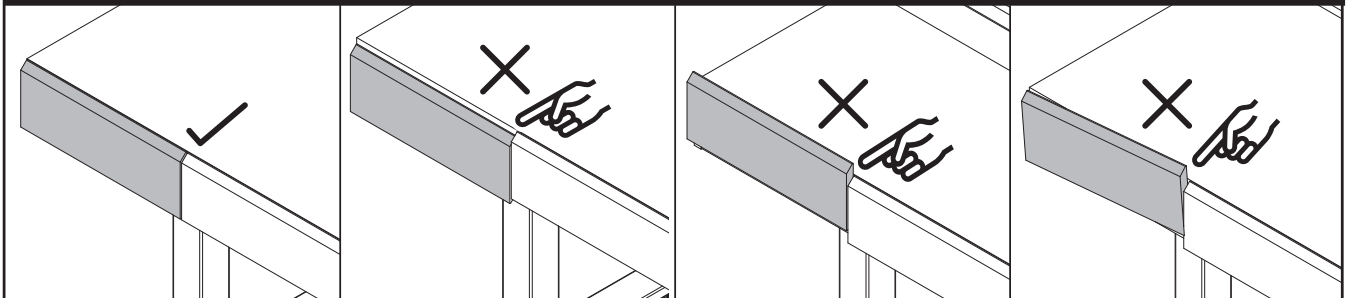




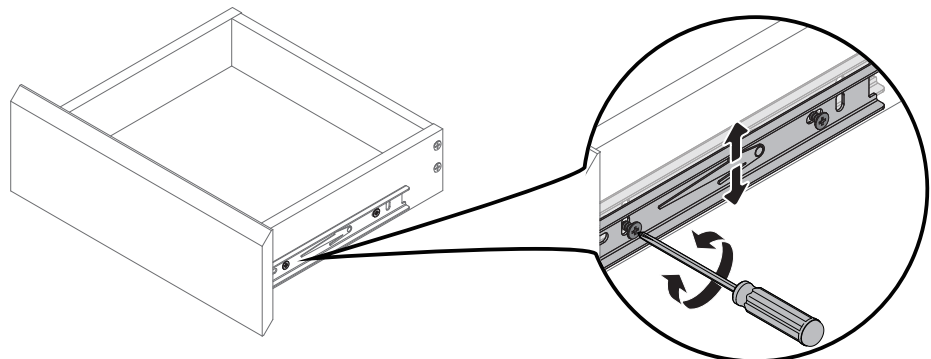




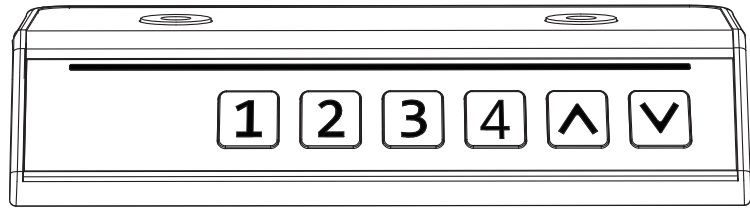
Drawer Alignment Adjustment



Adjust the slide screws up or down for proper installation.



Using the Controller



Note: Ensure that there are no obstacles when using the desk, that the desktop is not too close to the wall, and that all cables are long enough for the desk to move up and down freely. When the controller screen is off (power-saving mode), press any button to wake it before operation.

Up. Max height: 46.5"/118cm

Down. Min height: 28.3"/72cm


• Save Current Height Setting

Four heights can be saved. Press and hold the **1**, **2**, **3**, or **4** button for 5 seconds until 'H1', 'H2', 'H3', or 'H4' is displayed. The current height will be saved to that button.

• Select Height Setting

Press the **1** / **2** / **3** / **4** button. The desk will move to the height that was previously set for that button.

Settings

Reset	1. Press and hold the <input checked="" type="checkbox"/> button until the desk goes down to its lowest level, then release the button.
'RES' displays as  on the screen.	2. Press and hold the <input checked="" type="checkbox"/> button for 5 seconds, and the screen will display 'RES.' Continue holding until the desk comes back up slightly. Reset is complete.

Protection Mode Error Codes

Hot	Overheating Protection: When the motor has been working continuously for 5 minutes, it will stop operating to prevent damage from overheating. Wait for at least 15 minutes before making any further height adjustment.
E10	Sensor Malfunction Warning: Motor safety sensor cannot be detected. Power off, disconnect the cables, reconnect the cables, then power back on and perform a reset.
E20	Overload Warning: Max load exceeded. If raising the desk, remove all items from the desk and try again. If lowering the desk, power off, remove all items from the desk, power back on, then try again. If error code persists, follow the reset instructions.
E02	Operation Status Warning: The desk stops moving if vibration, impact, or incline are detected. If this detection is incorrect, follow the reset instructions before continuing use.
E32	Overvoltage Protection: Input voltage too high. If the correct AC adapter is being used, power off, disconnect the cables, reconnect the cables, then power back on and perform a reset.
E31	Undervoltage Protection: Input voltage too low. If the correct AC adapter is being used, power off, disconnect the cables, reconnect the cables, then power back on and perform a reset.
	Cable Disconnection Warning: Ensure all cables are properly connected and the controller is plugged in before use.