

## **4001 270 24/28/32** **Base Corner Lazy Susan** INSTALLATION GUIDE



The Dowell Installation Guide serves as a general reference, offering step-by-step guidance for renovation professionals. The tools and fixtures supplied by Dowell for attaching to clients' floors or walls are intended as examples and might not be suitable for all types of surfaces. For optimal results, we recommend engaging a qualified professional to select the appropriate hardware for your specific installation needs. Dowell assumes no responsibility for complications arising from incorrect installation or the improper use of tools, including any subsequent damages.

## *Base Corner Lazy Susan Installation Instructions*

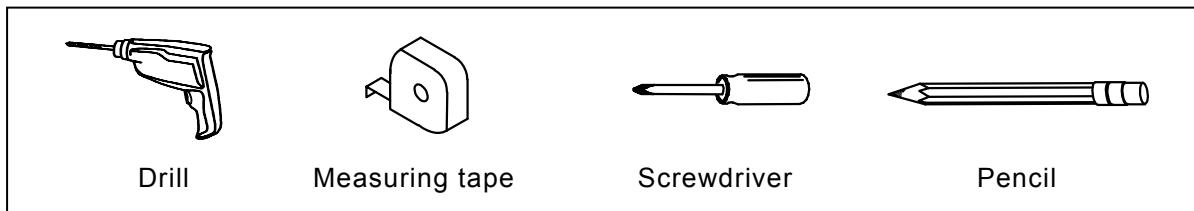
### **1 IMPORTANT:**

Before you begin, make sure you familiarize yourself with all the parts and fully read the instructions.

### **2 TOOLS NECESSARY:**

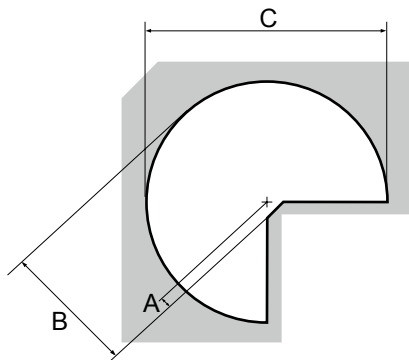
Screw gun or Phillips screwdriver, and tape measure. NOTE: If screw gun has a clutch, set to lowest setting so as not to over tighten and/or strip screws.

#### **Recommended Tools**



### **3 MOUNTING FITTINGS:**

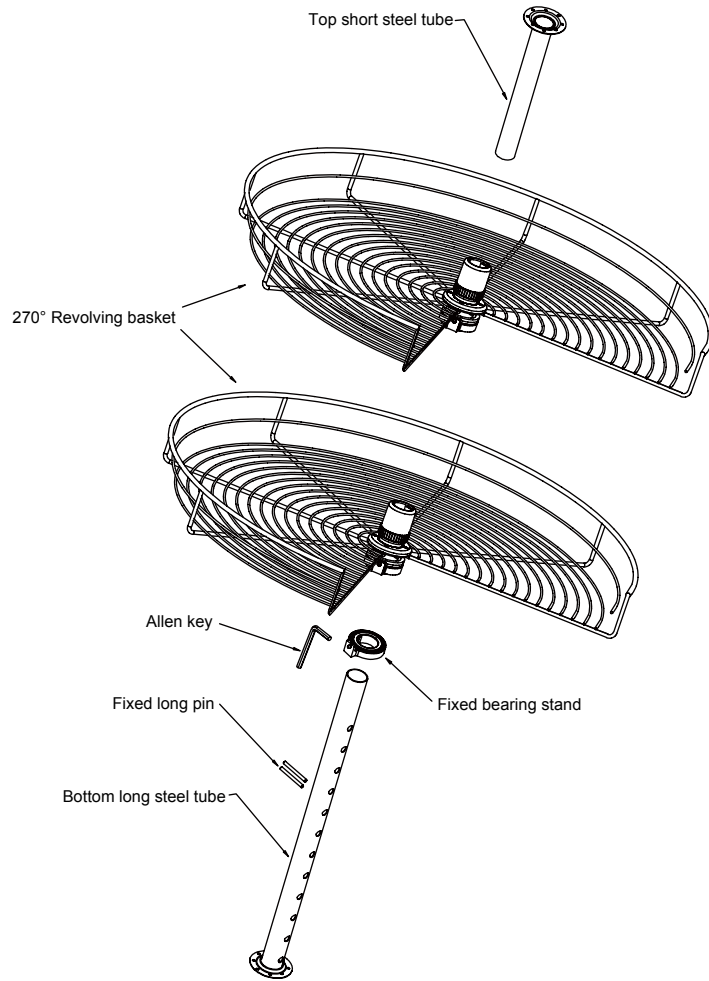
Note: This product contains small screw parts and plastic bags. Keep kids away.



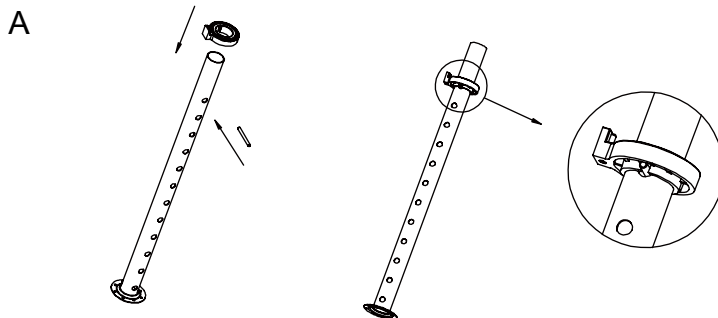
	A	B	C
4001 270 24	1-3/4" 45mm	13-1/2" 344mm	23-5/8" 600mm
4001 270 28	1-3/4" 45mm	15-3/4" 400mm	28" 710mm
4001 270 32	1-3/4" 45mm	17-1/2" 445mm	32" 800mm

# 4001 270 24/28/32

## Base Corner Lazy Susan INSTALLATION GUIDE



Sketch Map	Name	Qty
	Top short steel tube	1
	270° Revolving basket	2
	Fixed bearing stand	2
	Fixed long pin	2
	Allen key	1
	Bottom Long steel tube	1
	Screw	10



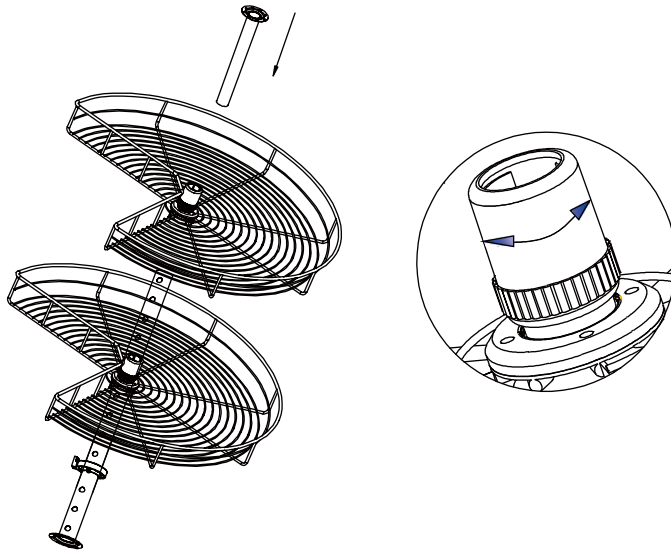
A

According to the sequence of the A, insert long pin into the hole of long steel tube to fix bearing stand position.

# 4001 270 24/28/32

## Base Corner Lazy Susan INSTALLATION GUIDE

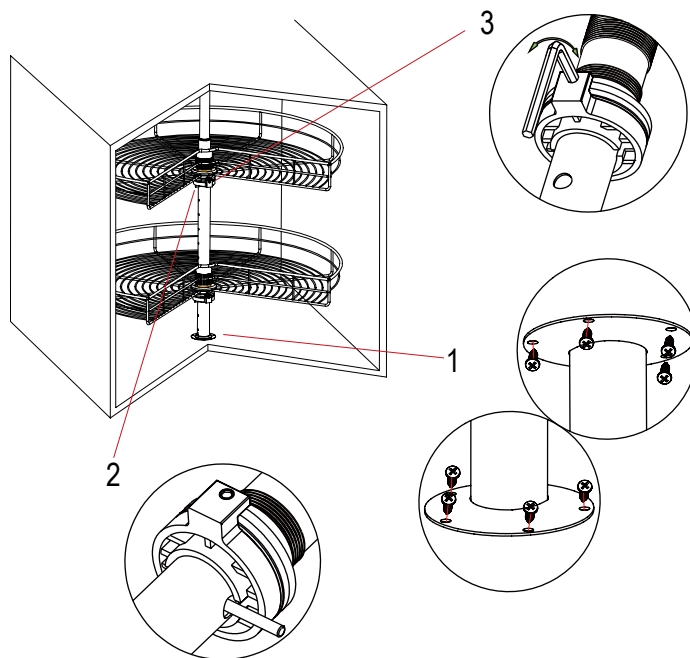
B



B

Put basket on it, lock it and tight with inching nut, then plug into short steel tube.

C



C

1. Install it into the cabinet and adjust the position, ensure that there is sufficient clearance around the shelf assembly, and tighten the bottom and top tapping screws.

2. The fixed long pin can adjust the position of the fixed basket.

3. The allen key can adjust the rotation strength and play a limiting role.