

ASSEMBLY

FGT-V1

Instructions

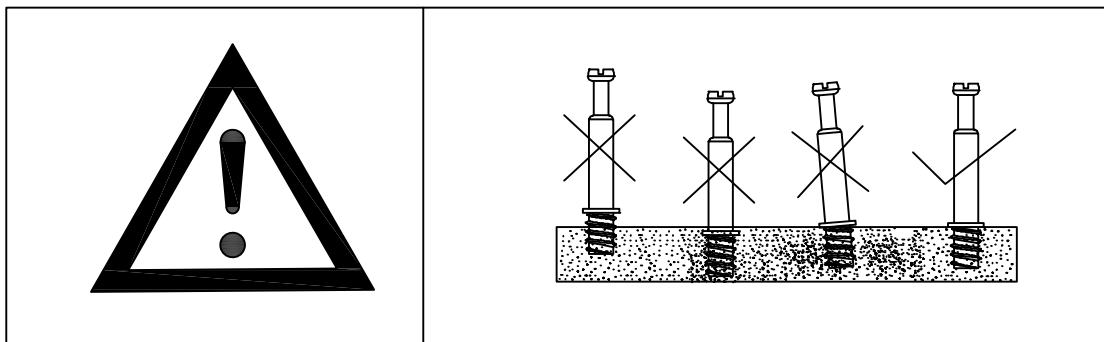
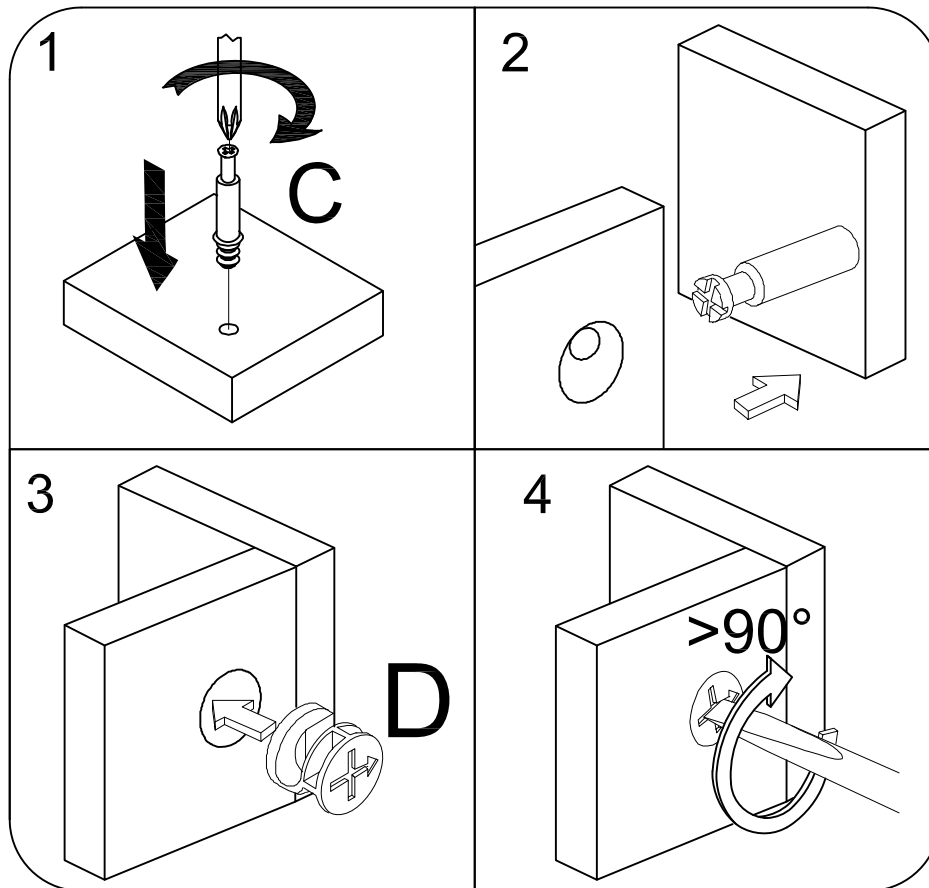


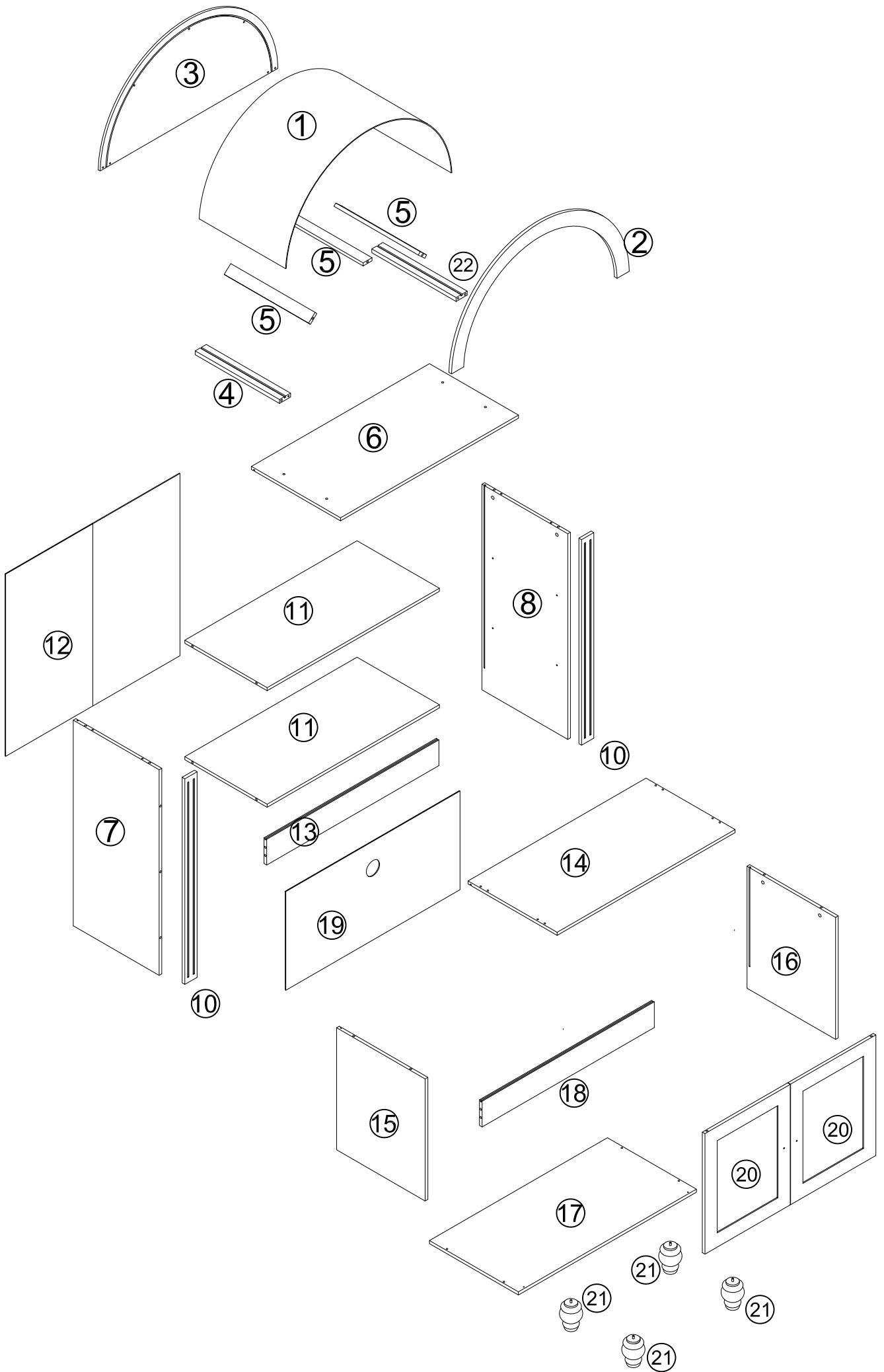
If you have any questions, please contact customer service email:

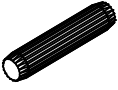
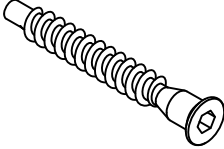
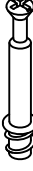




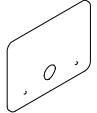
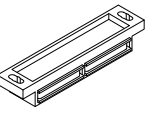
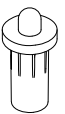

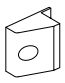
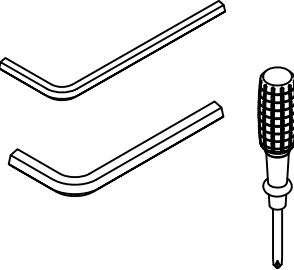

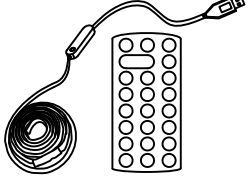
AfterSales9527@outlook.com

Cam Lock Fastening System

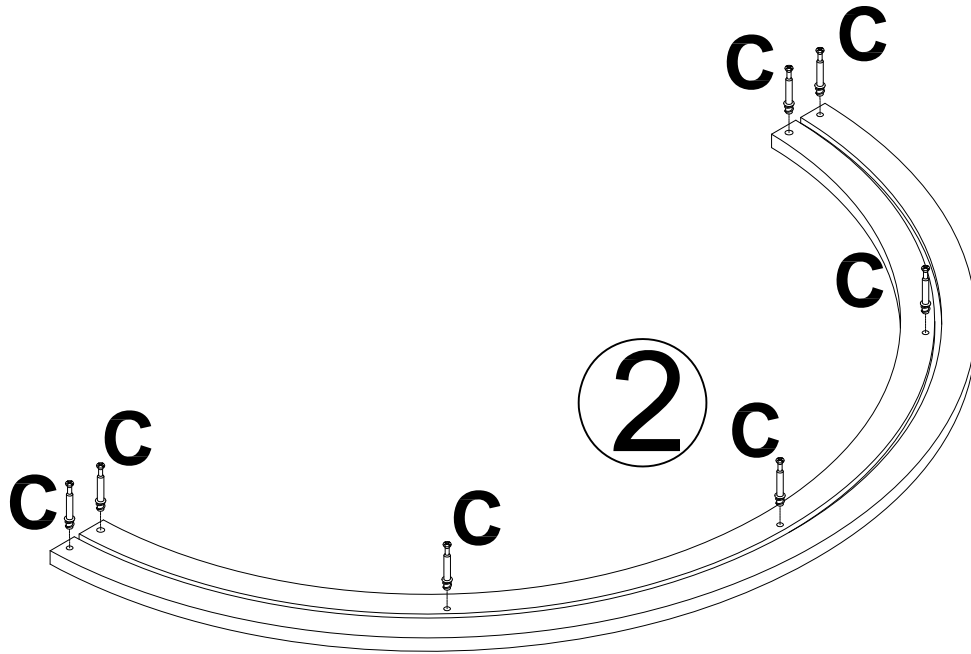
This Cam Lock Fastening System will be used throughout the assembly process





<p>A Ø6x30mm</p>  <p>8 PC</p>	<p>B Ø4x50mm</p>  <p>15 PCS</p>	<p>C Ø6x30mm</p>  <p>38 PCS</p>	<p>D Ø12x9.5mm</p>  <p>38 PCS</p>
<p>E Ø3x12mm</p>  <p>12 PCS</p>	<p>F</p>  <p>2 PCS</p>	<p>G M4x15mm</p>  <p>2 PCS</p>	<p>H</p>  <p>2 PCS</p>
<p>P</p>  <p>1 PCS</p>	<p>J</p>  <p>4 PCS</p>	<p>K M6x20mm</p>  <p>4 PCS</p>	<p>L</p>  <p>8 PC</p>
 <p>1 PC</p>	 <p>2 PCS</p>		

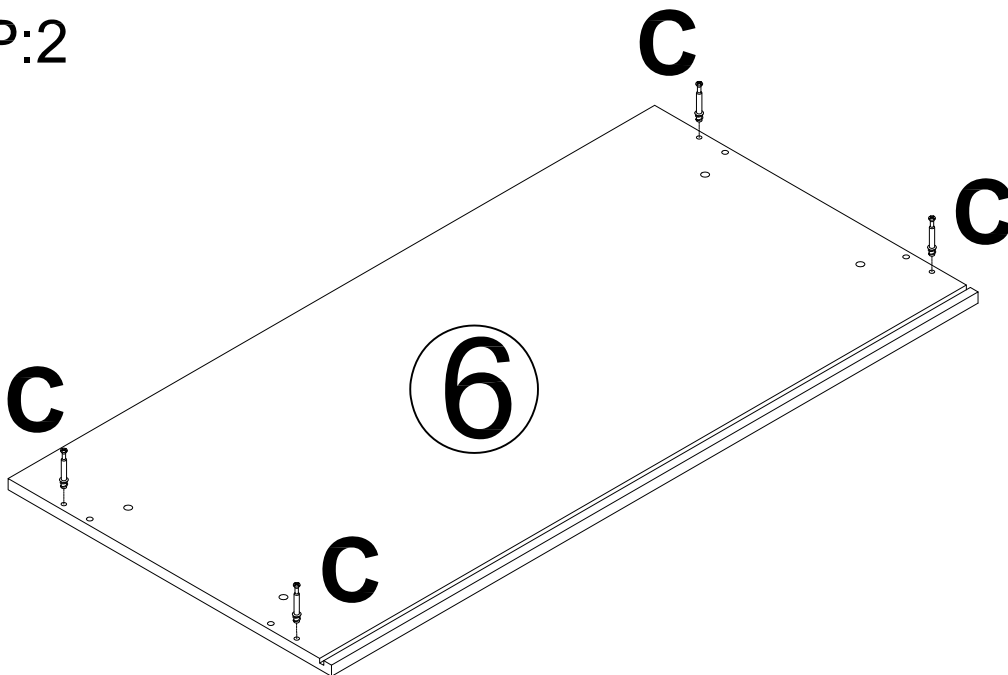
STEP:1



C X 7 PCS



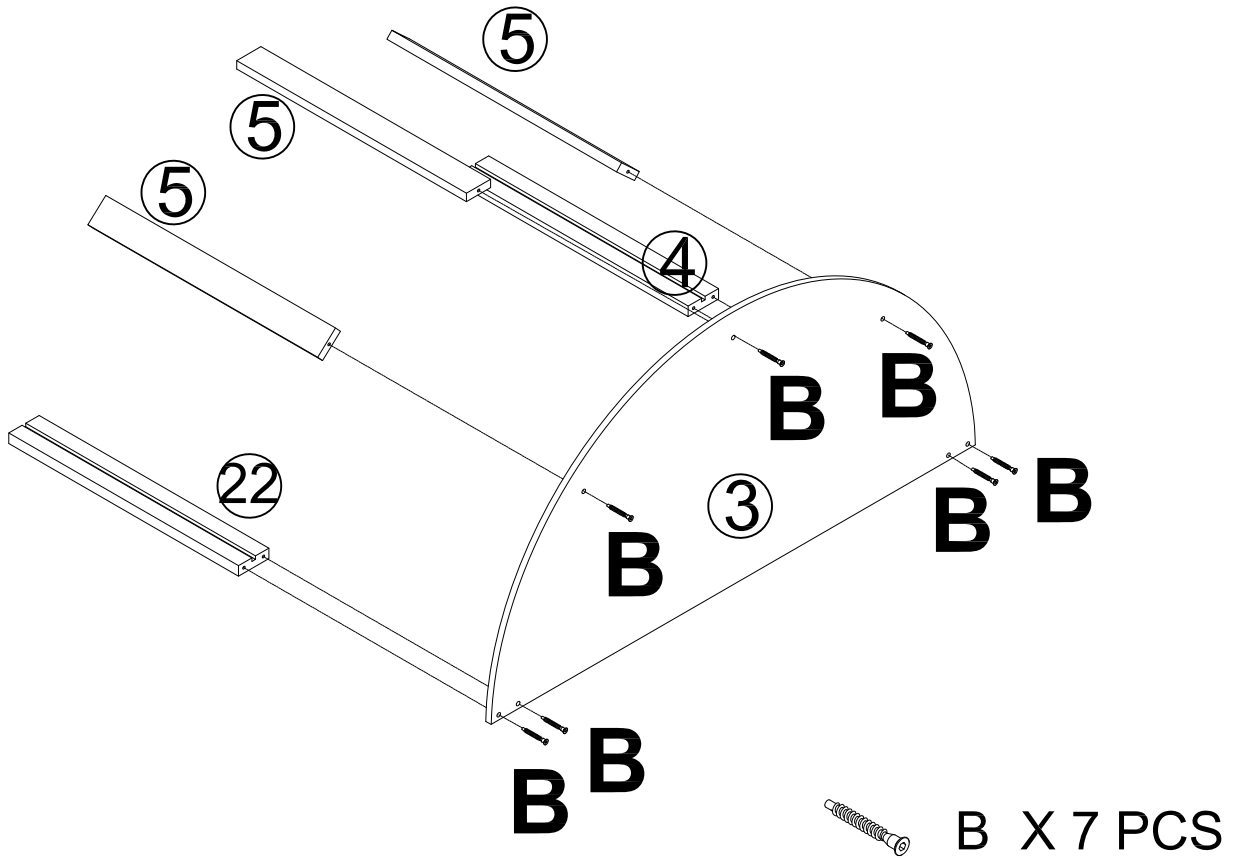
STEP:2



C X 4 PCS

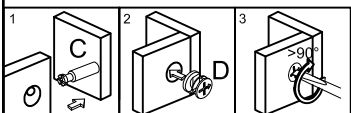
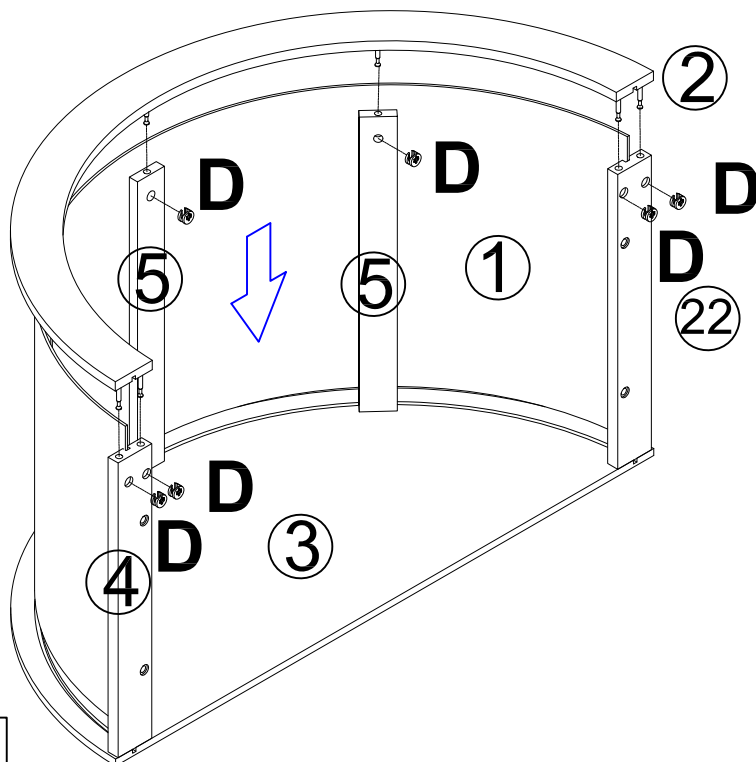



STEP:3



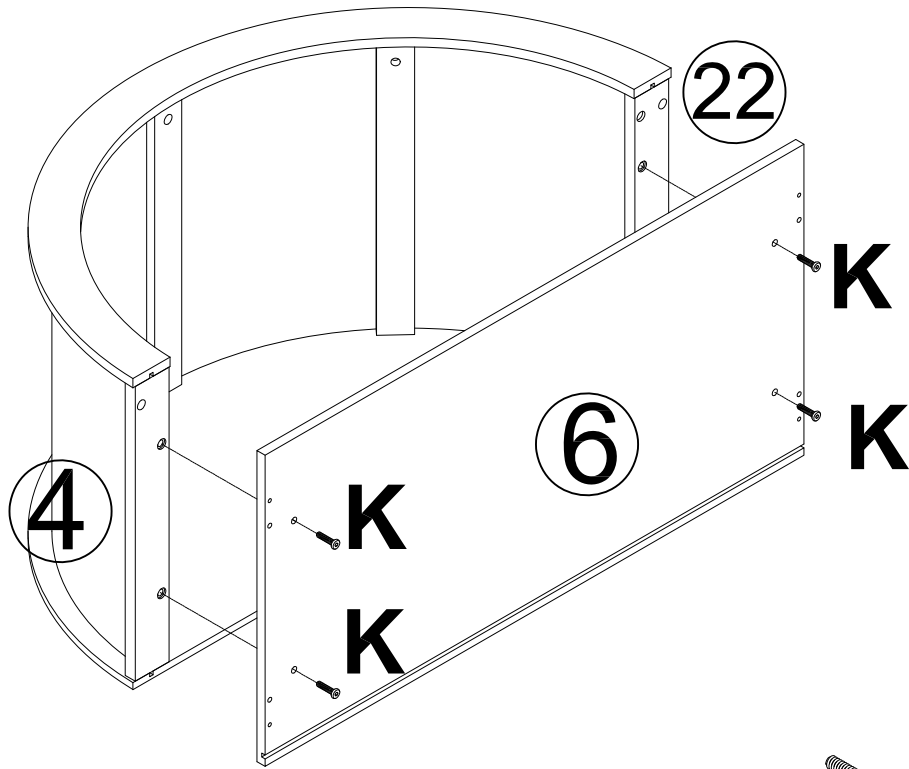
STEP:4

Insert & 1 into the slots between & 3 and & 4, then cover it with & 2 and tighten it.
 Note that & 1 must be fully inserted into the slots!



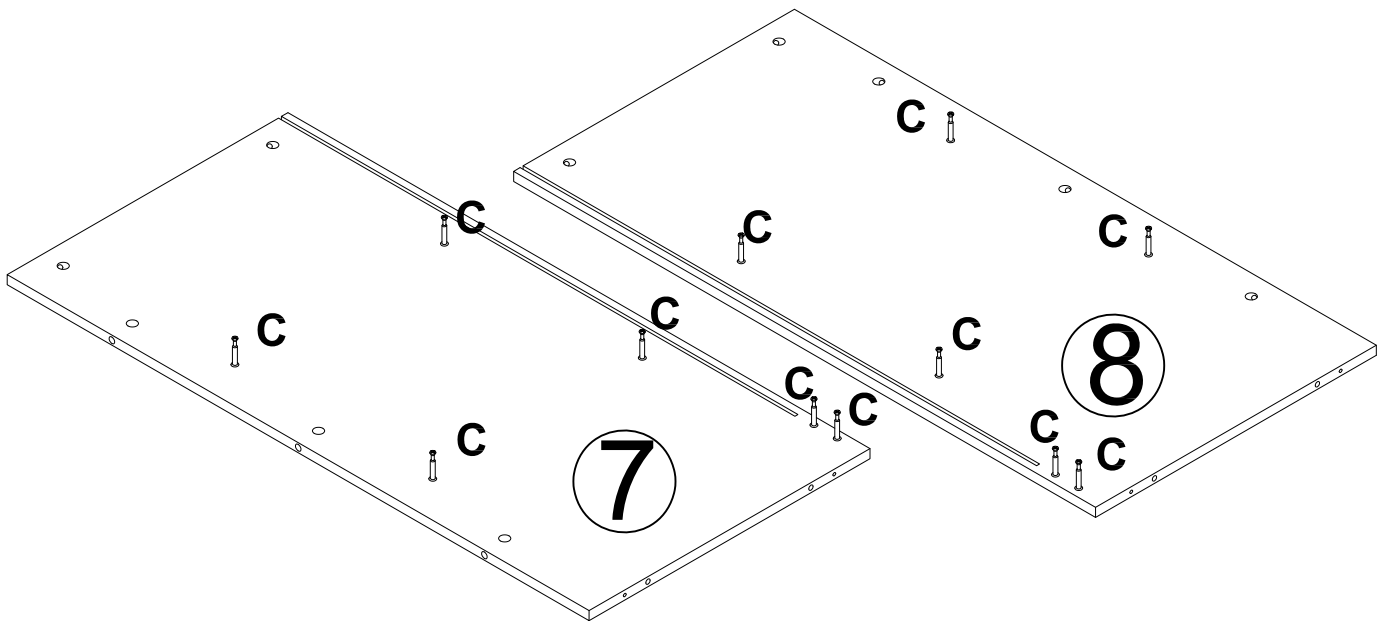
 **D X 6 PCS**


STEP:5

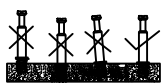


 K X 4 PCS

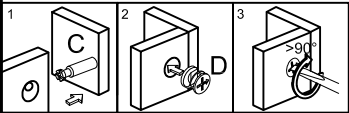
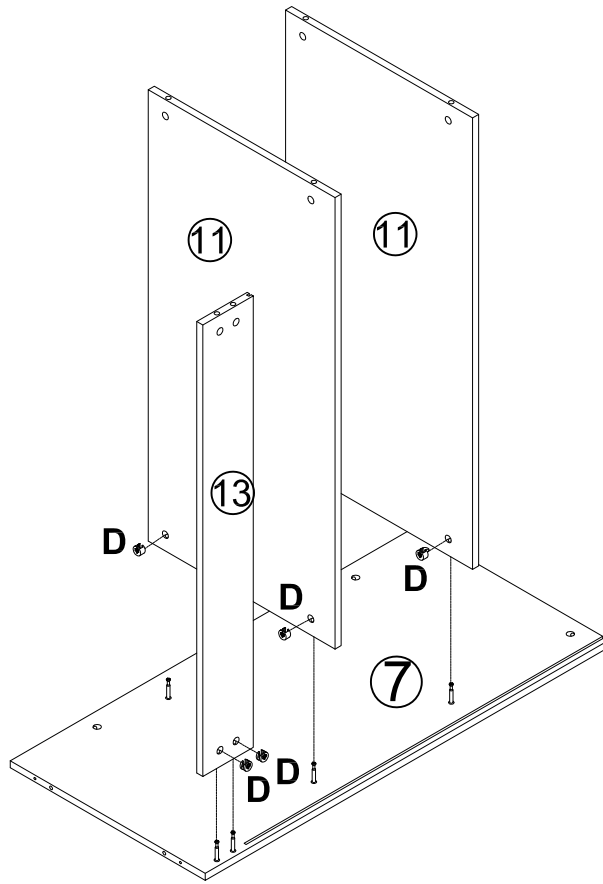
STEP:6




 C X 12 PCS

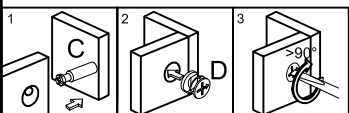
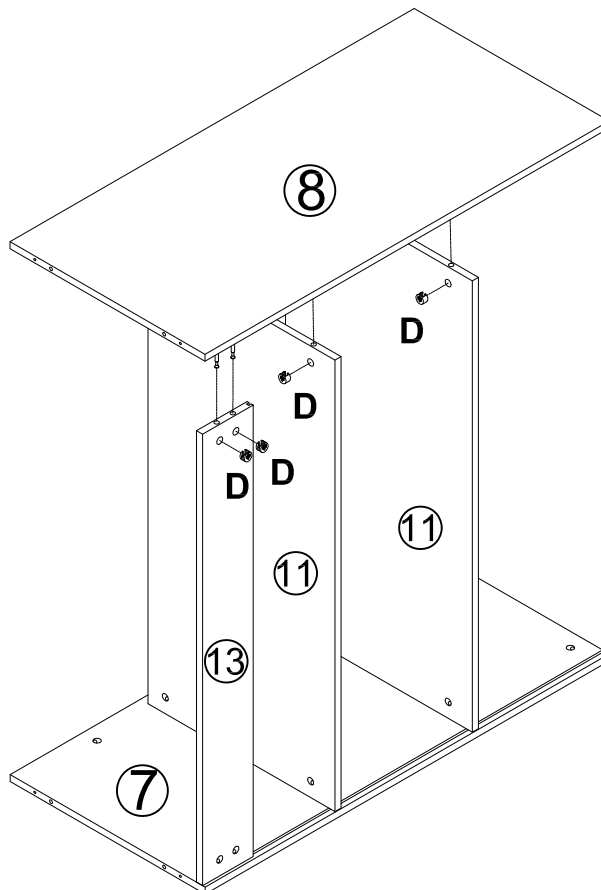



STEP:7



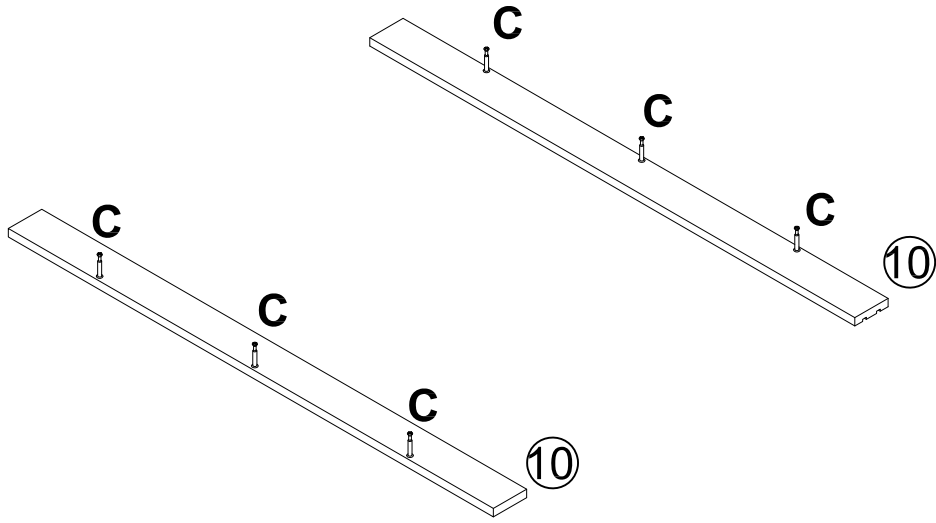
 D X 6 PCS

STEP:8



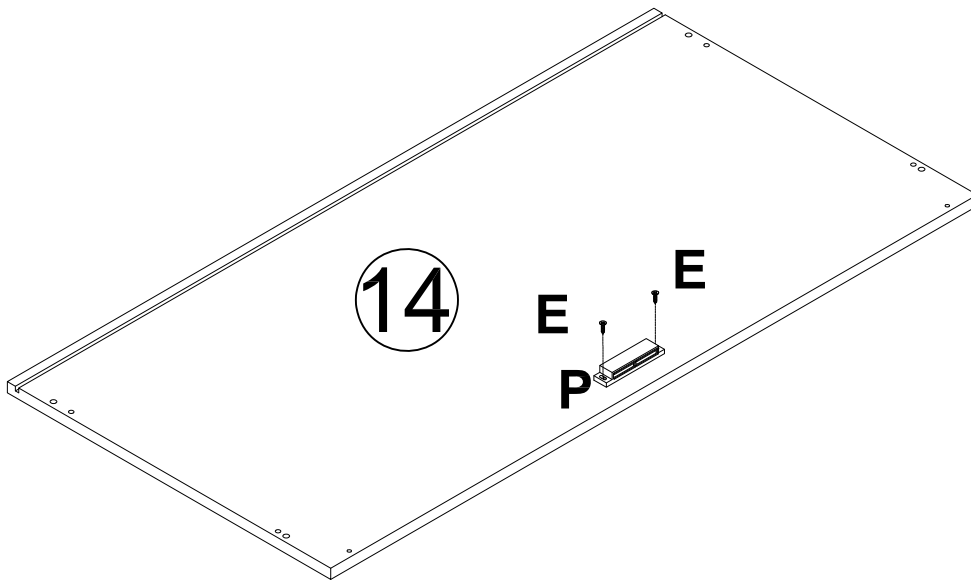
 D X 6 PCS

STEP:9



C X 6 PCS

STEP:10

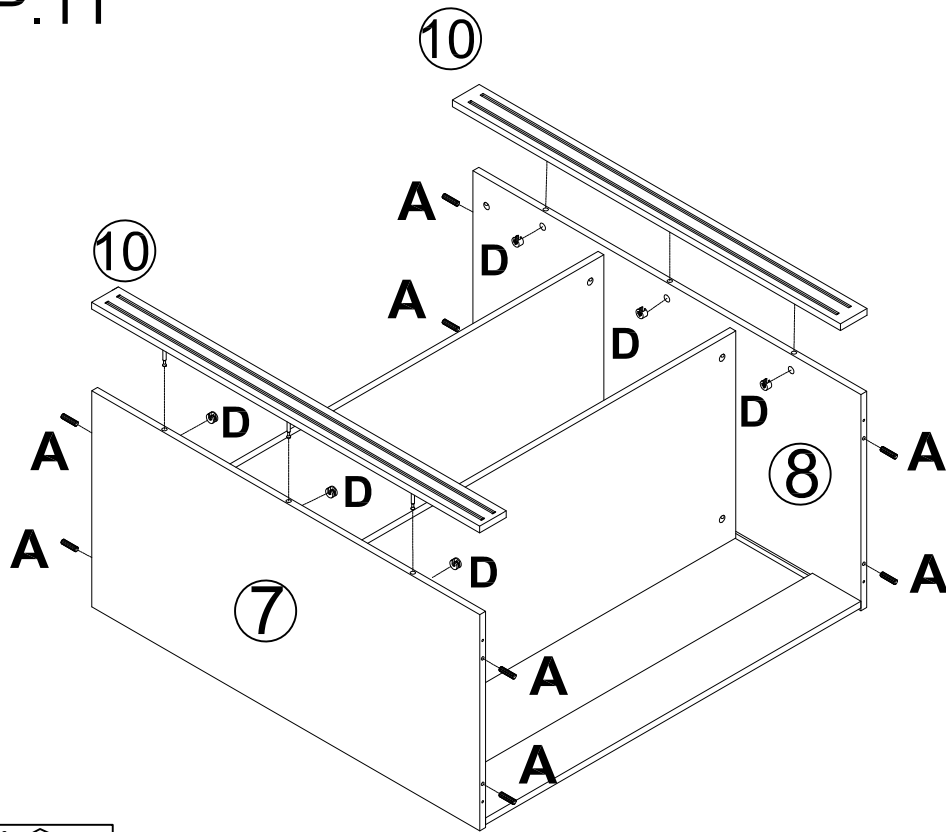



E X 2 PCS



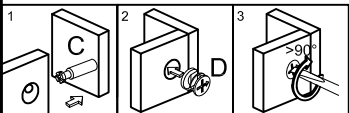
P X 1 PC

STEP:11

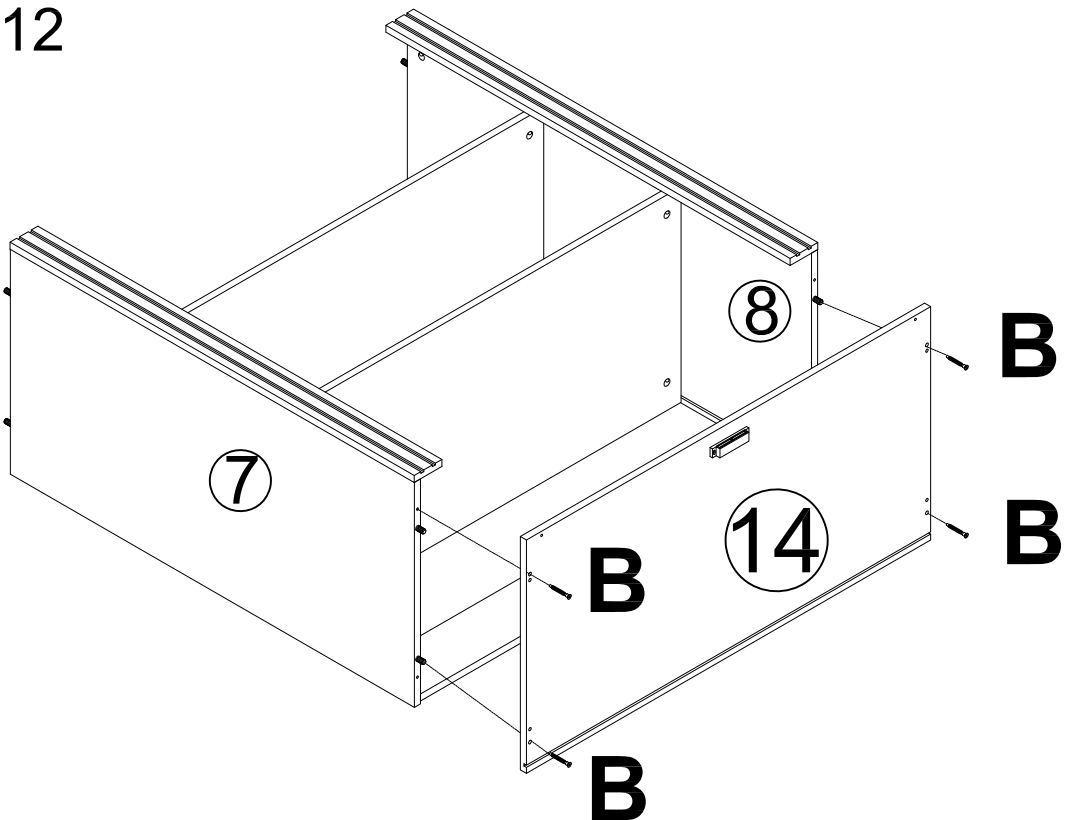


 A X 4 PCS

 D X 6 PCS

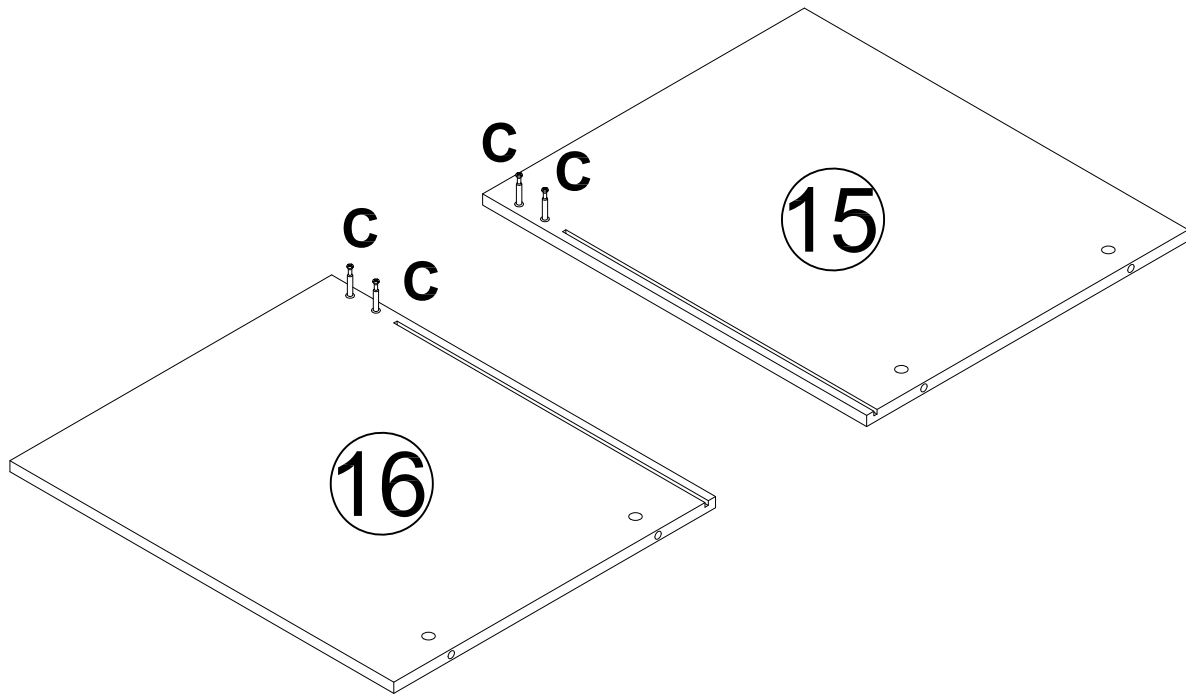


STEP:12



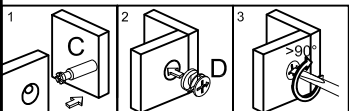
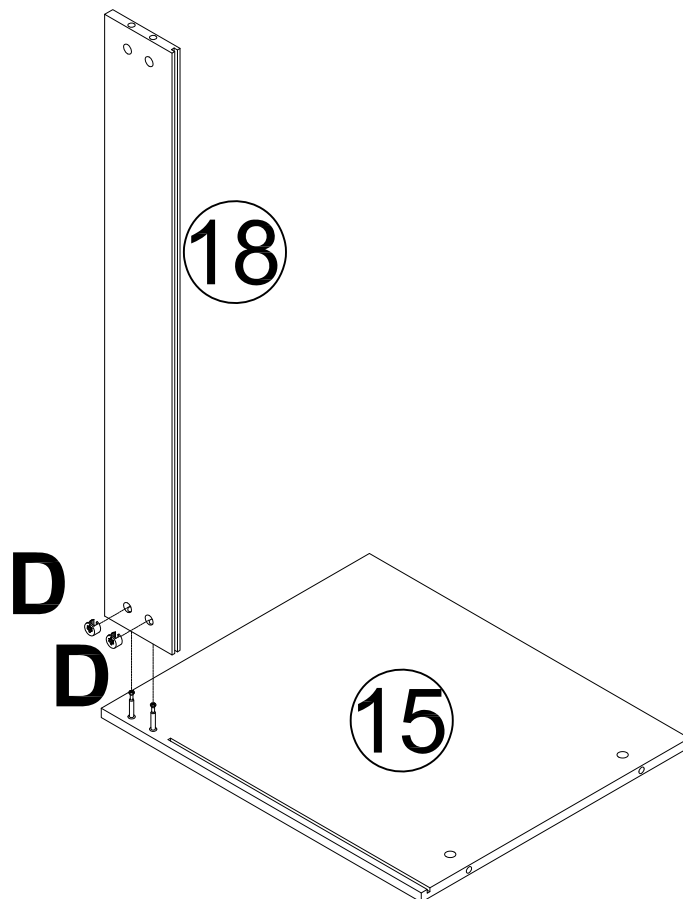
 B X 4 PCS

STEP:13



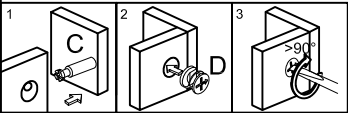
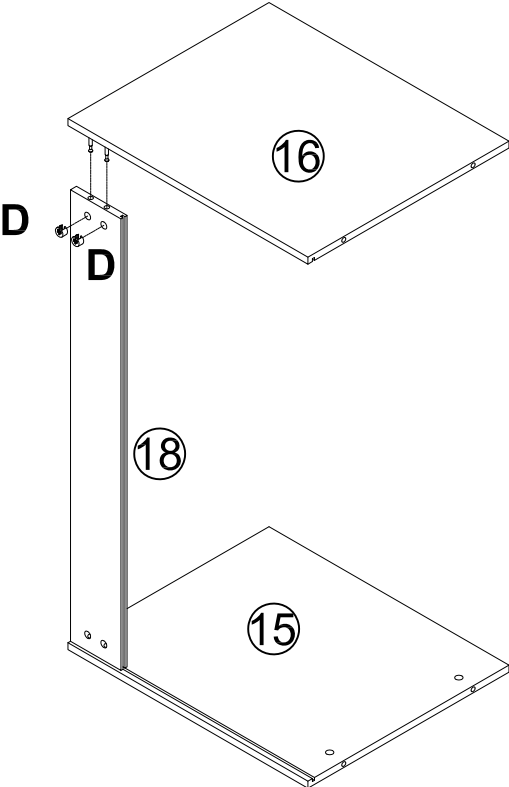
C X 4 PCS


STEP:14



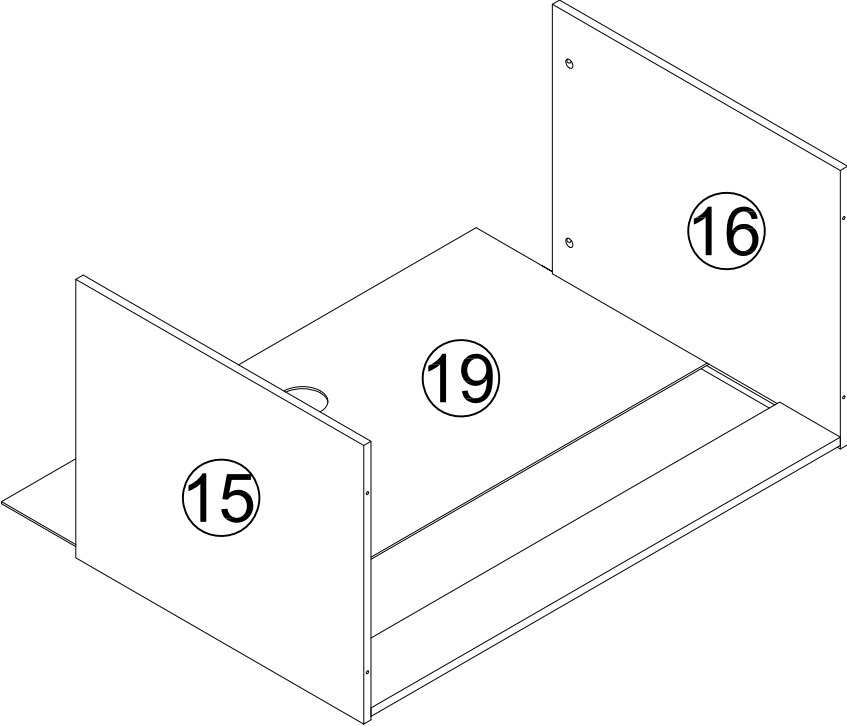
D X 2 PCS

STEP:15

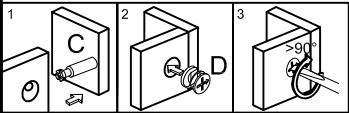
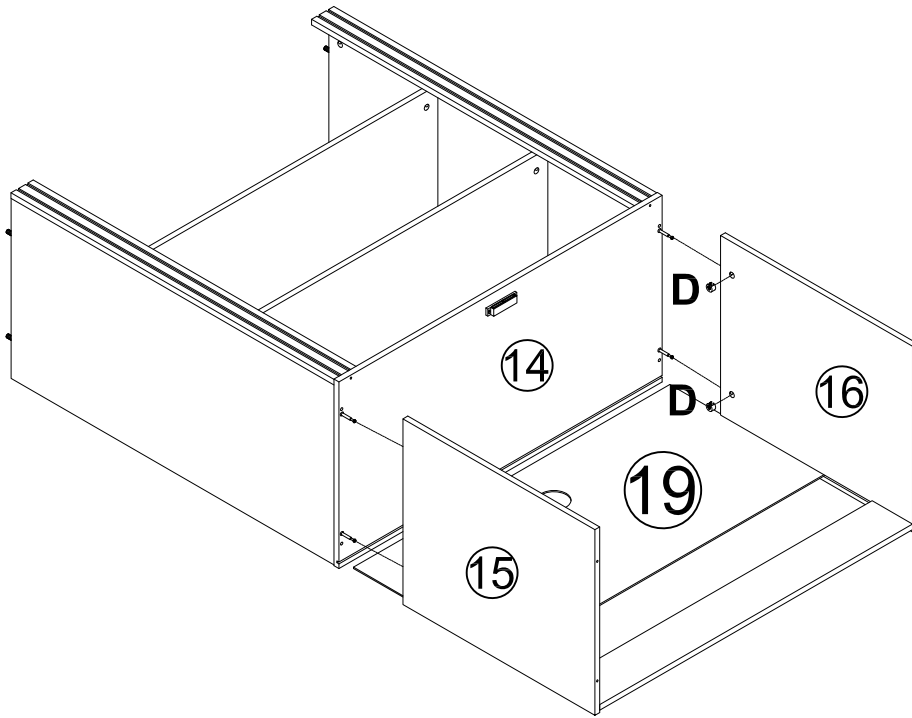



 D X 2 PCS

STEP:16

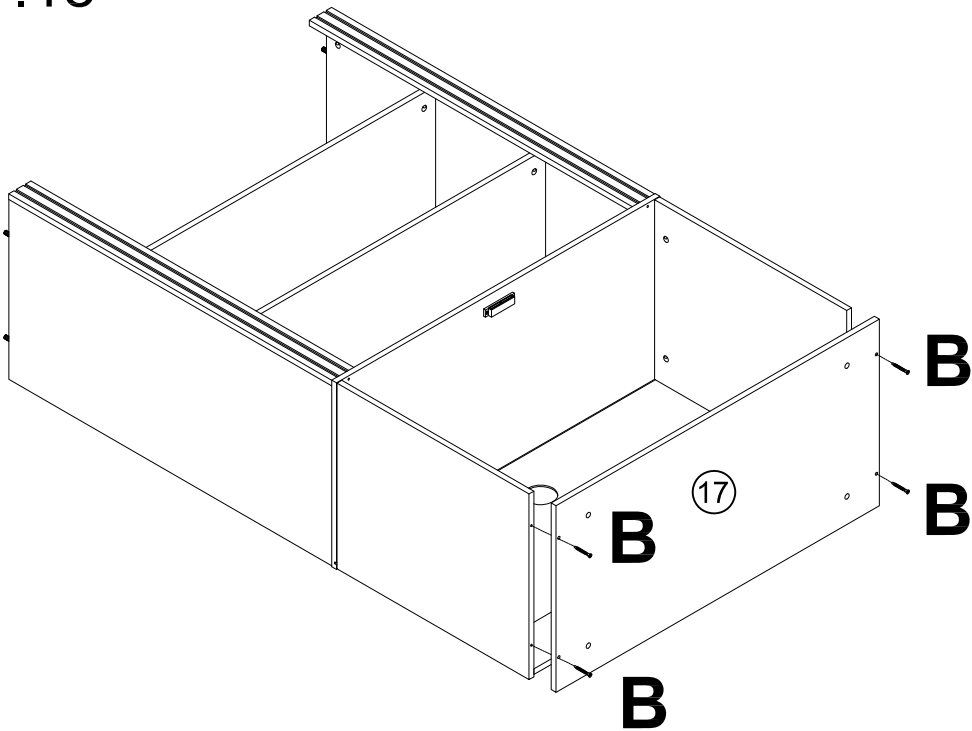


STEP:17



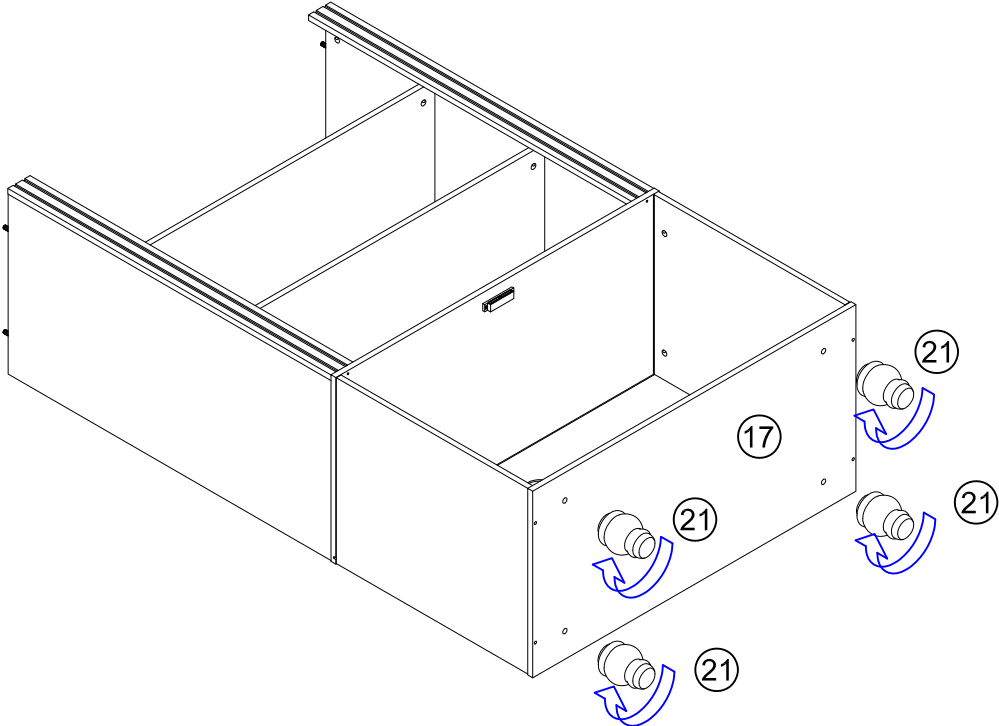
 D X 4 PCS

STEP:18

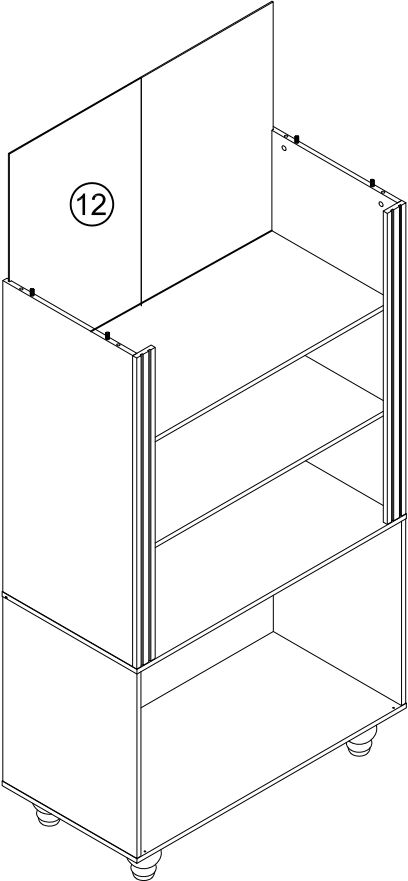


 B X 4 PCS

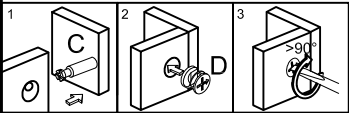
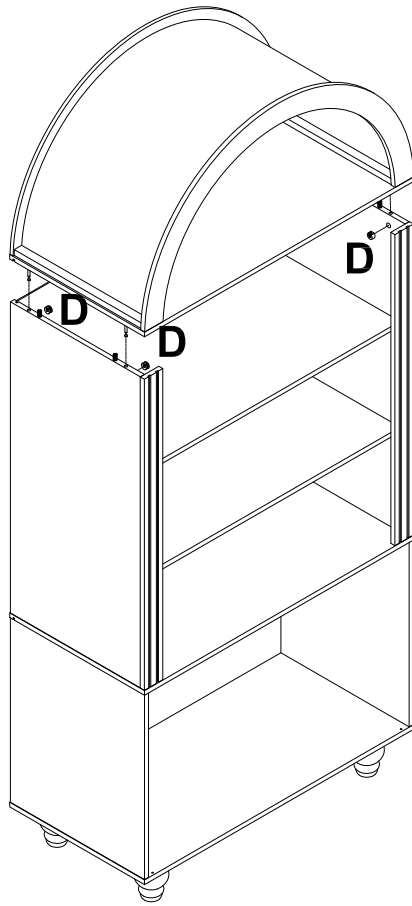
STEP:19




STEP:20

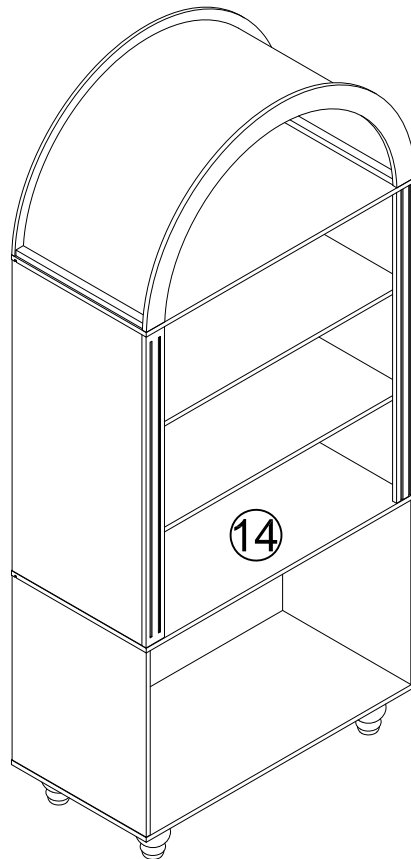


STEP:21

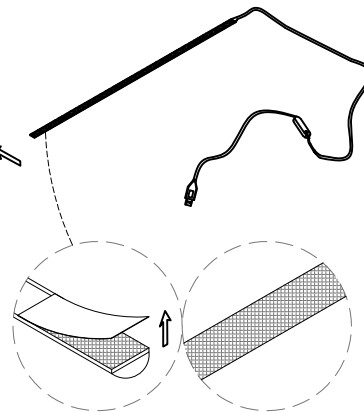


 D X 4 PCS

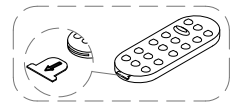
STEP:22



Stick the LED light strip on the bottom of 14.

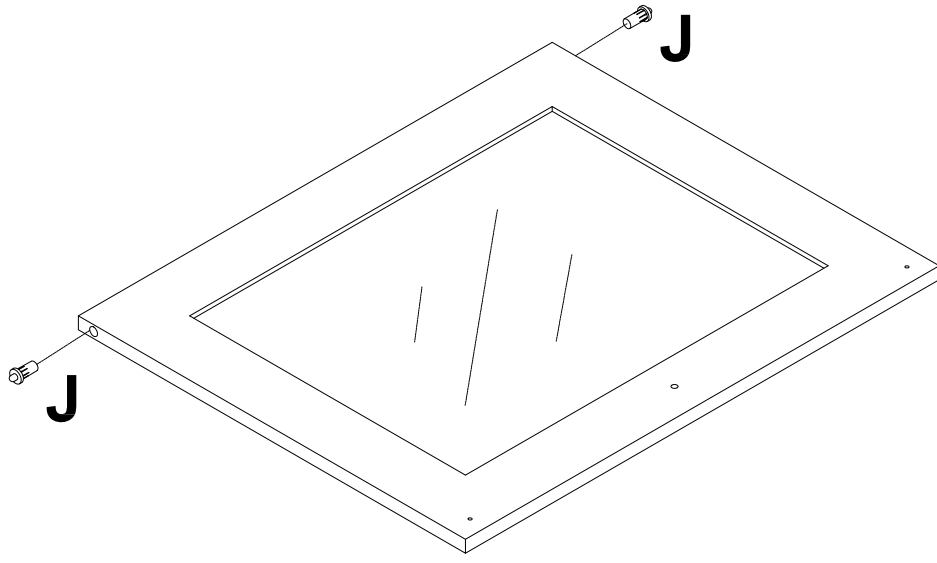


Tear off the tape and apply it to the plate. Then press it firmly with your hand



Remove the plastic piece before using the remote. Read the manual for the remote control.

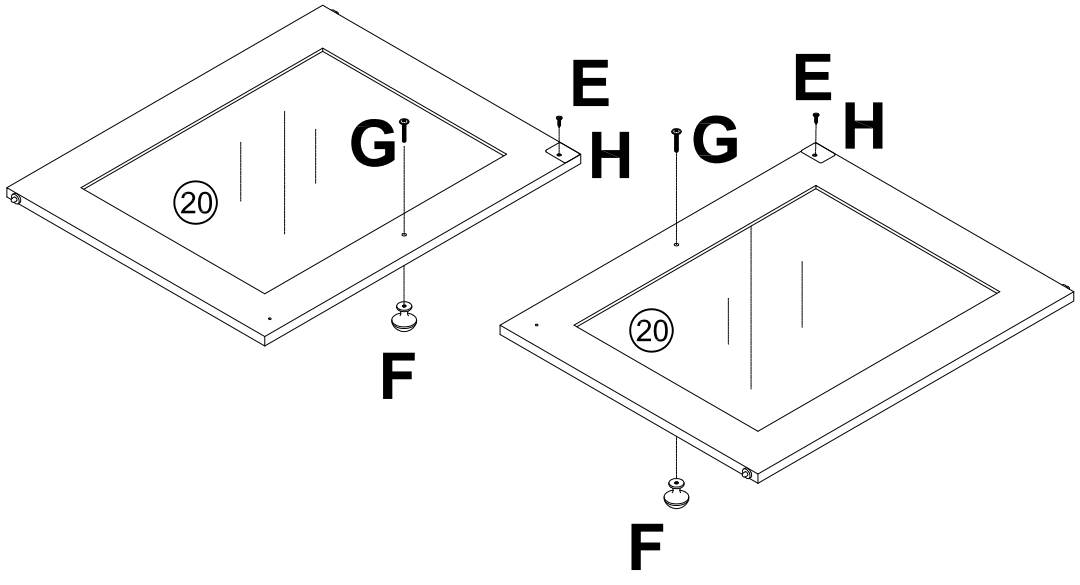
STEP:23



X 2 PCS

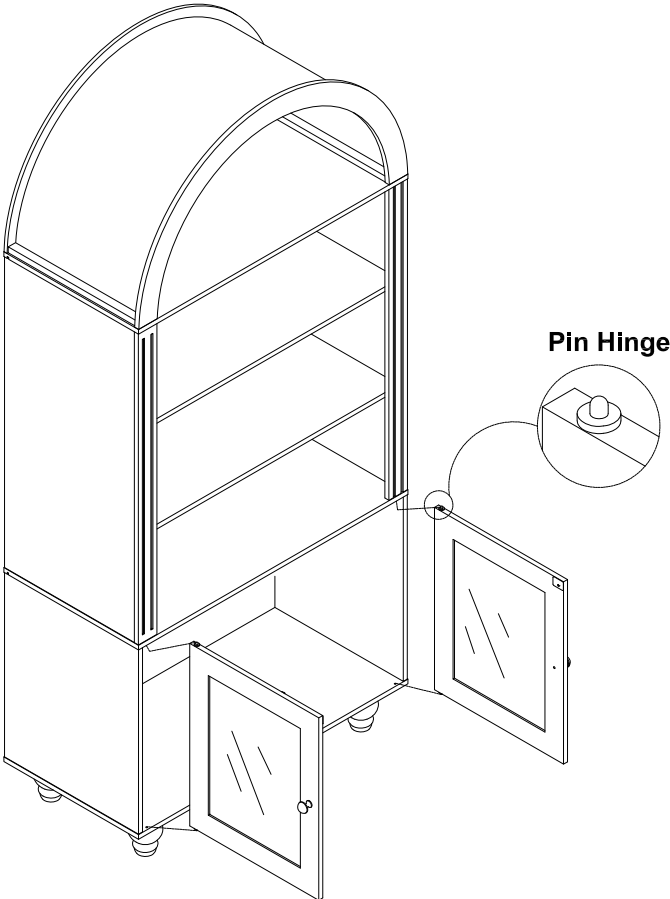
 J X 4 PCS

STEP:24

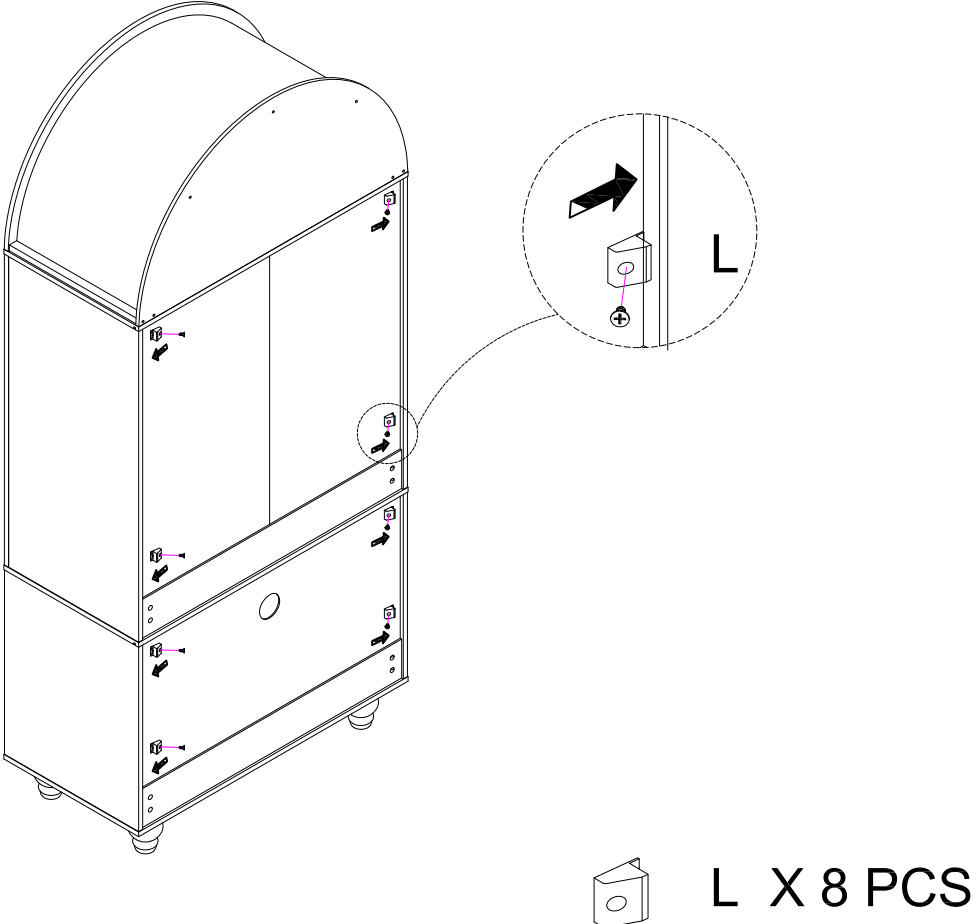


 E X 12 PCS  F X 12 PCS
 G X 12 PCS  H X 12 PCS

STEP:25



STEP:26



STEP:27

