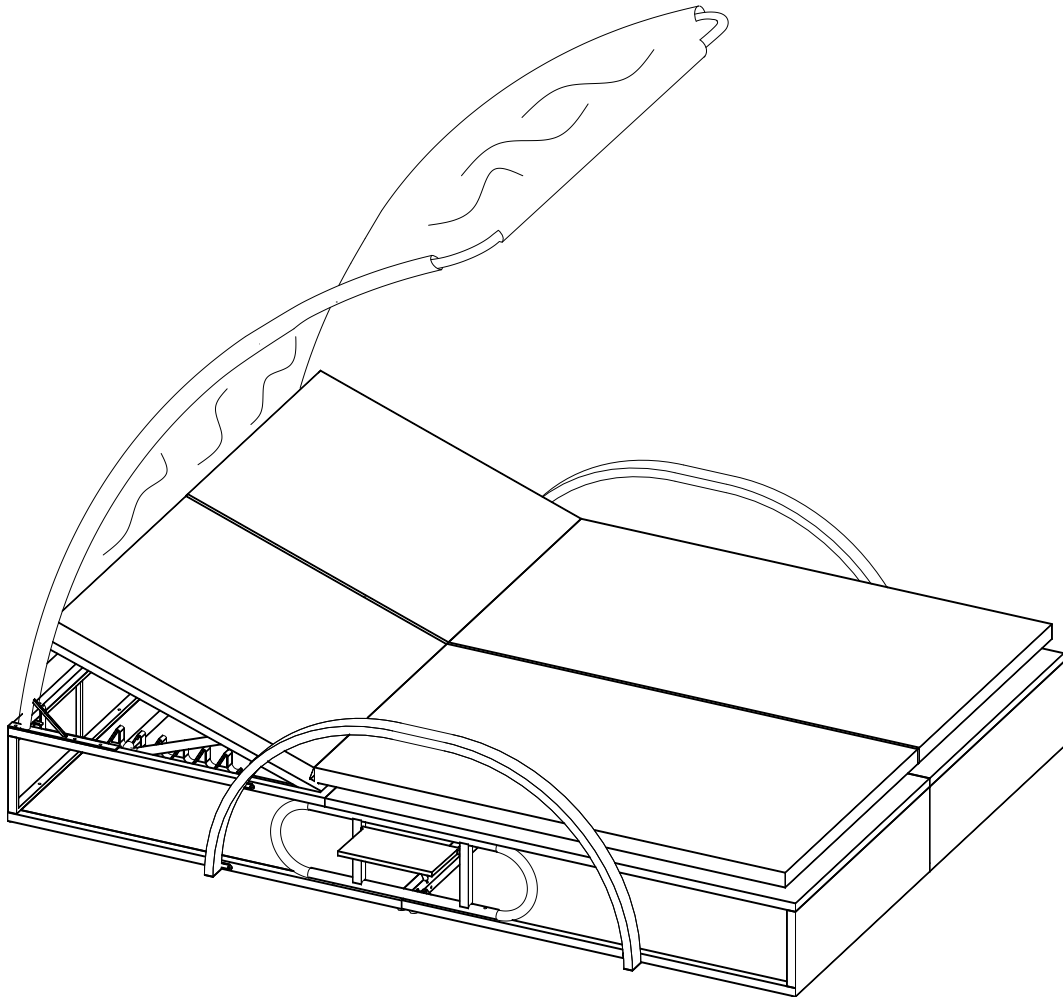


# ASSEMBLY INSTRUCTION

## LOUNGER SUNBED



**Notice:**

1. 50% Tighten before fixing all screws, Allen wrench is recommended instead of an electric drill.
2. Place the item on a flat ground to adjust and make sure it remains stable.
3. Tighten up all screws with tools gradually.
4. If the screws are not aligned with holes during assembly, please loosen all the other screws to 50% and continue the assembly process.
5. If the item is not stable, please loosen all the screws, adjust it on a flat ground and tighten up all screws again.
6. Notes: If one or some screws are fully tightened during assembly, chances are the others will not be aligned with holes. In addition, all the holes are designed to be relatively larger to provide more space for the adjustment of the screws.

# ASSEMBLY INSTRUCTION

**Caution:** You must read these Assembly Instructions before you proceed

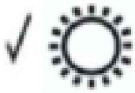
## Care & Maintenance



Do not put hot items directly on furniture surface.



Do not clean furniture with harsh cleansers or polish.



To obtain the longest lifespan of your outdoor products, minimizing exposure to direct sunlight is recommended



Children should not climb or jump on the furniture.



Do not write on furniture without a padded barrier to protect the surface



To obtain the longest lifespan of your outdoor products, avoid extended and lengthy exposure to rain, snow, and direct sunshine. Whenever possible cover the product and/or place under patio or awnings.



Not for commercial use. For residential use only

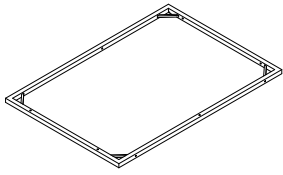


Stains may be removed with mild soap solution and damp cloth.

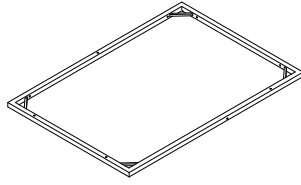


Dust and pick-up spills using a clean, non-colored, lint-free cloth.

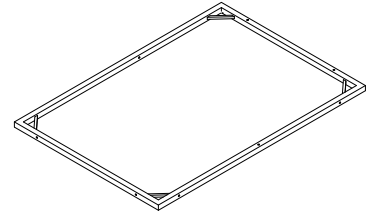
# PART LIST



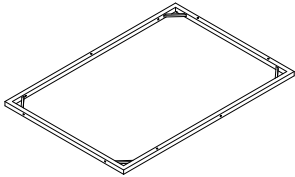
A1 x 1



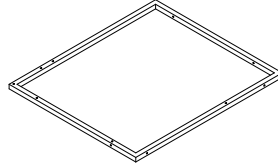
A2 x 1



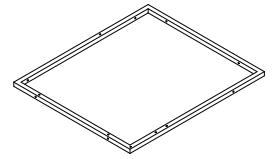
B1 x 1



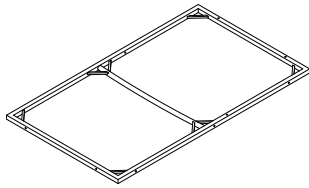
B2 x 1



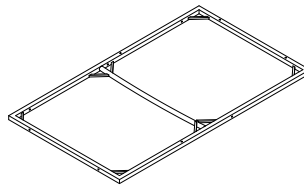
C1 x 1



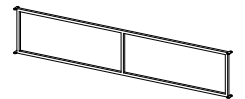
C2 x 1



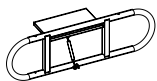
D1 x 1



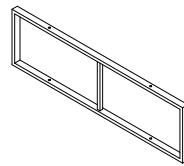
D2 x 1



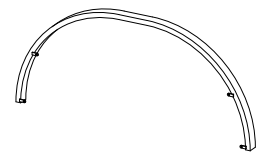
E x 1



F x 2



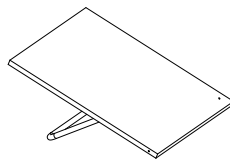
G x 4



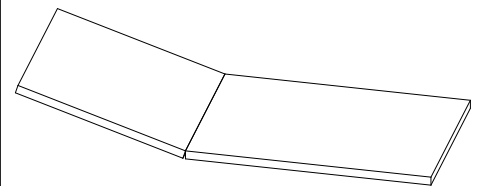
H x 2



I x 4

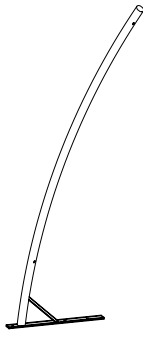


K x 2

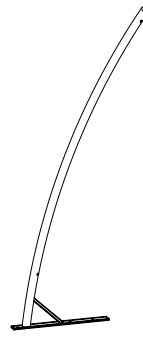


Q x 2

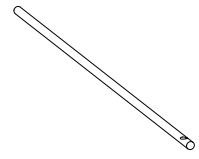
## PART LIST



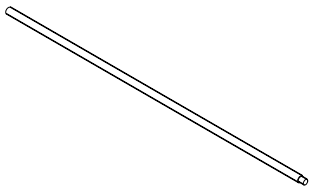
L1 x 1



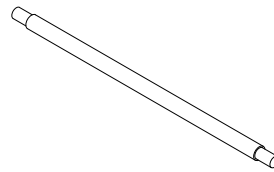
L2 x 1



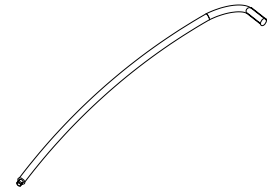
M x 2



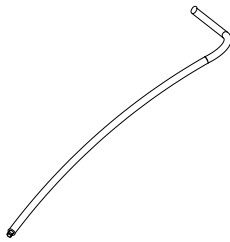
N x 2



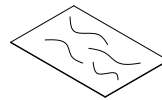
O x 1



P1 x 1



P2 x 1

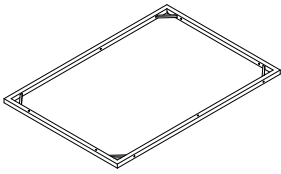


R x 1

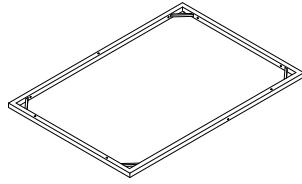
### Hardware:

No.	Picture	Description	Q.ty
①		Bolt (M6x15mm)	14 (extra +2)
②		Bolt (M6x20mm)	18 (extra +2)
③		Bolt (M6x30mm)	28 (extra +2)
④		Bolt (M6x35mm)	8 (extra +1)
⑤		Bolt (M6x40mm)	9 (extra +1)
⑥		Bolt (M6x45mm)	4
⑦		Washer (6x16x1mm)	81 (extra +2)
⑧		Plastic Washer 2mm	4
⑨		Allen Wrench	2

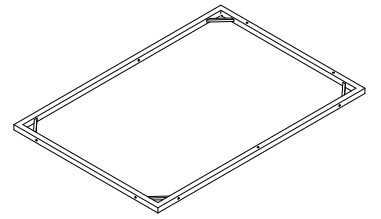
# CARTON CONTENT



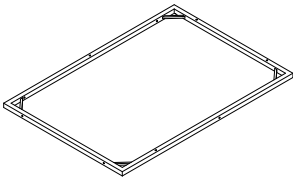
A1 x 1



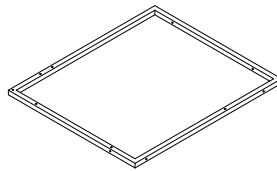
A2 x 1



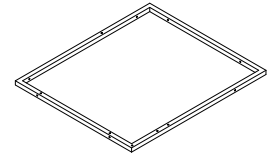
B1 x 1



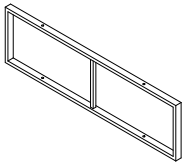
B2 x 1



C1 x 1



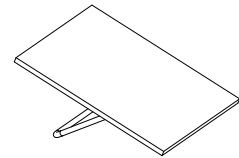
C2 x 1



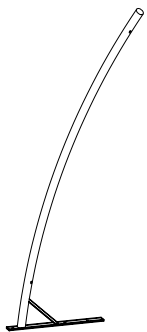
G x 4



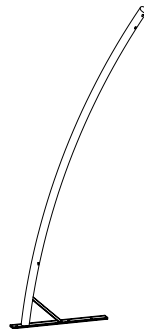
I x 4



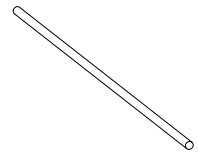
K x 2



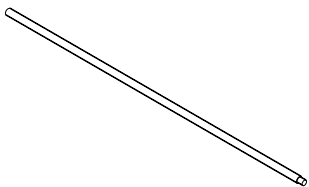
L1 x 1



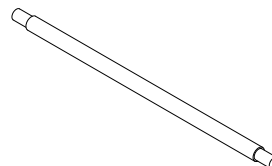
L2 x 1



M x 2

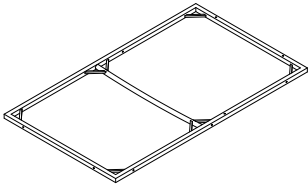


N x 2

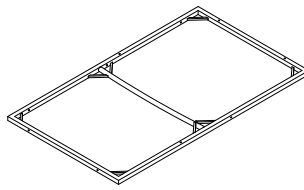


O x 1

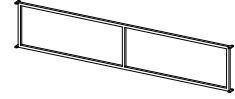
# CARTON CONTENT



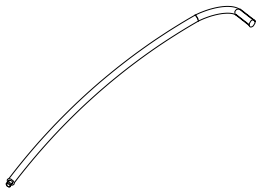
D1 x 1



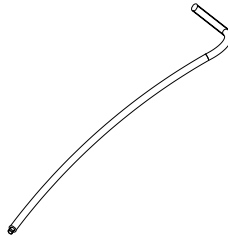
D2 x 1



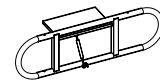
E x 1



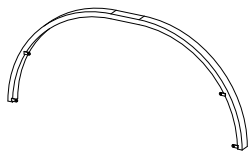
P1 x 1



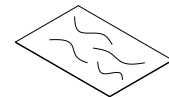
P2 x 1



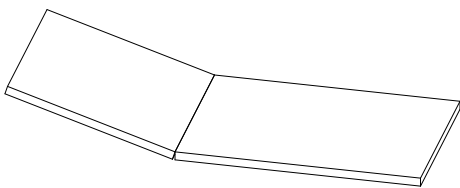
F x 2



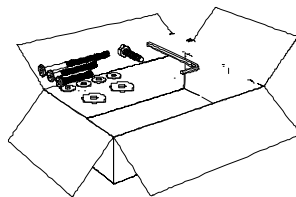
H x 2



R x 1

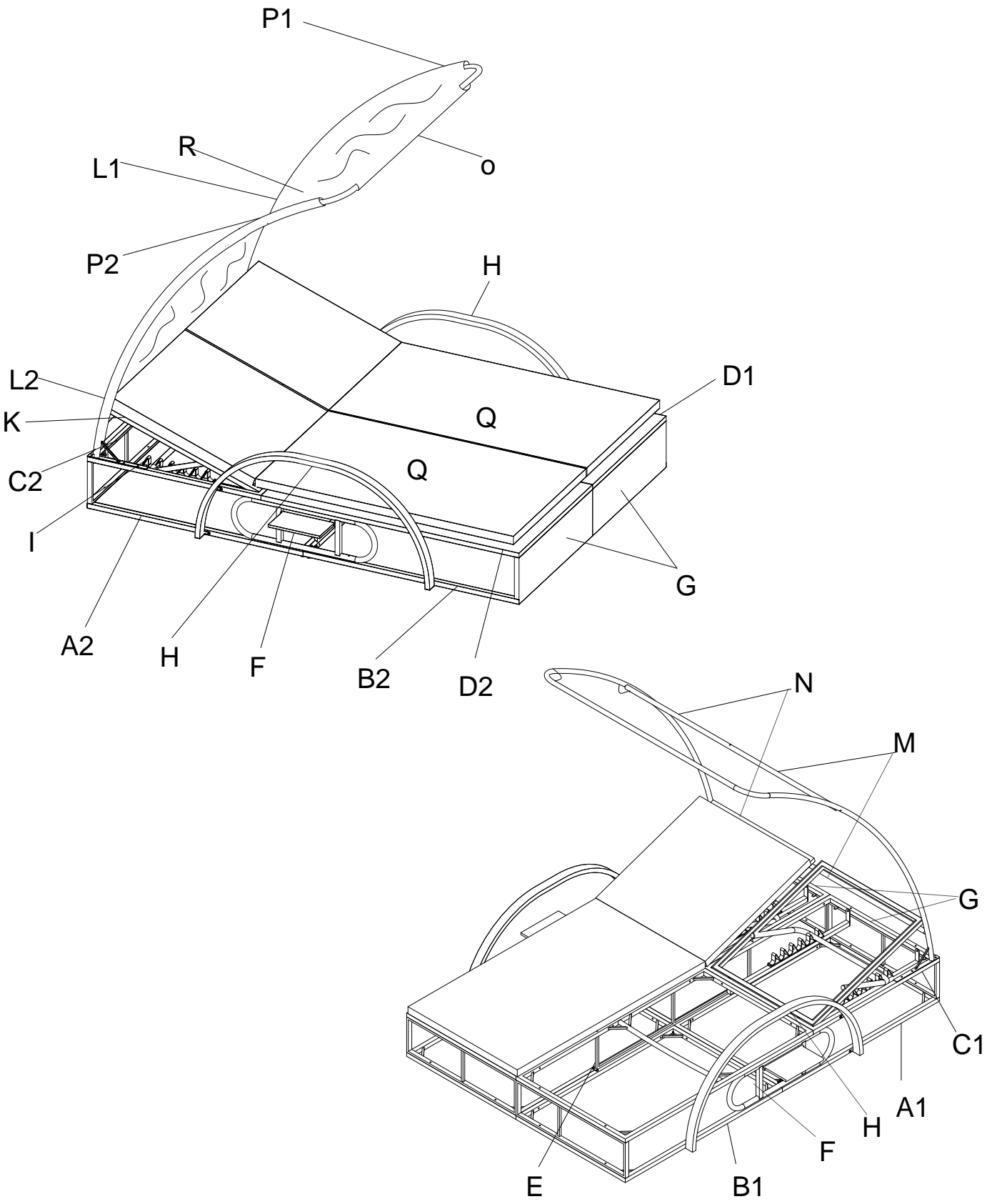


Q x 2



Hardware

# Employed View

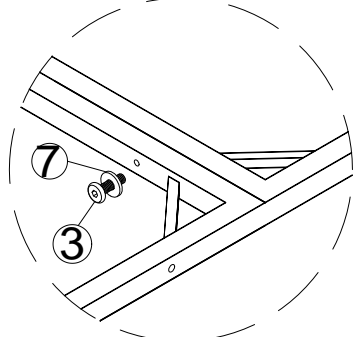
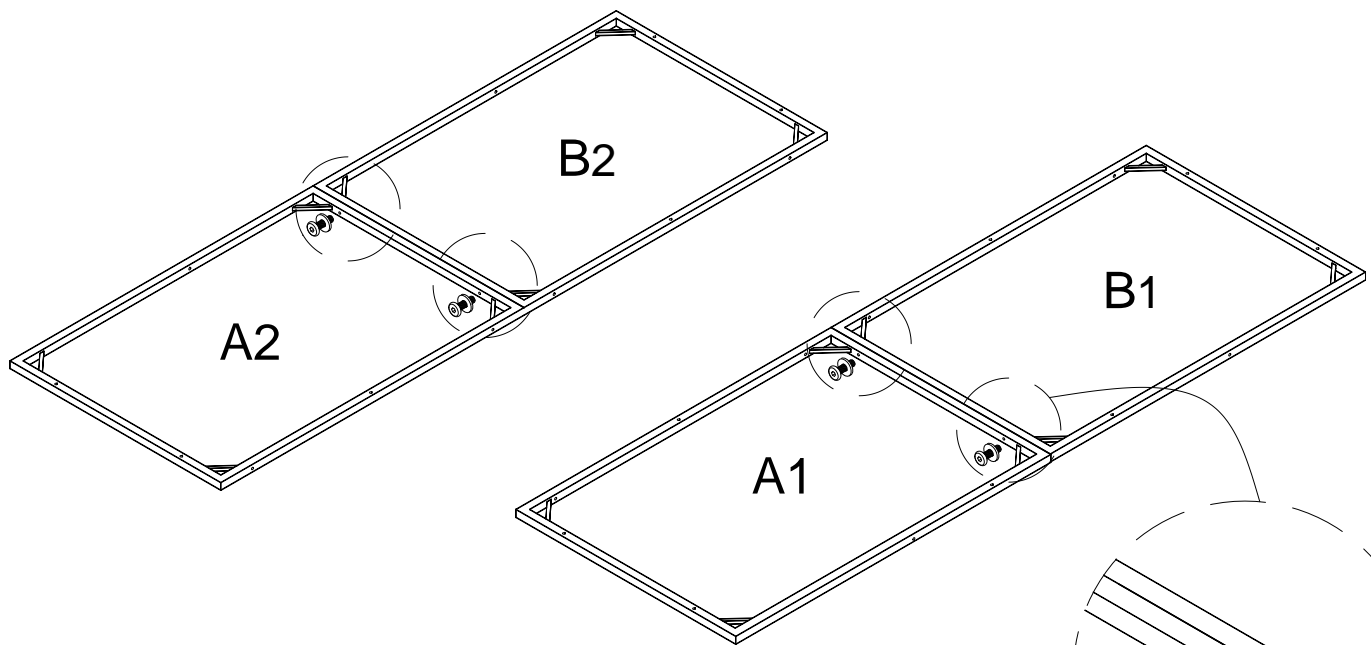
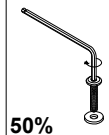


**CAUTION :** This lounge sunbed is NOT a TOY.

Keep your child / children at bay in the process of assembly.

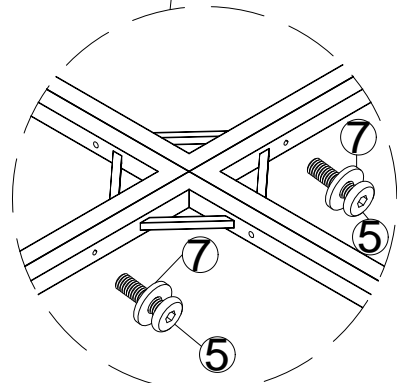
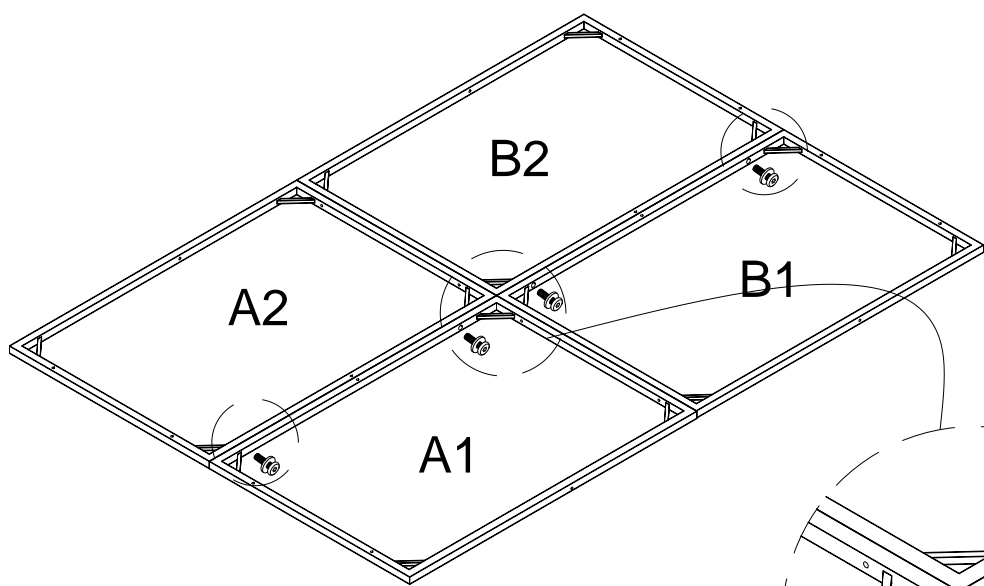
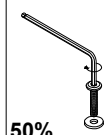
For turning the lounge sunbed and to prevent damage to the lounge sunbed two adults may be needed to execute this action

**Step 1** : Connect (A1) with (B1), and (A2) with (B2) by bolt (3) and (7).



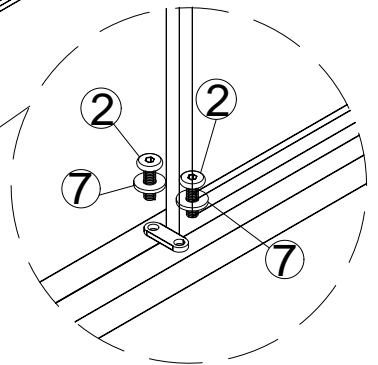
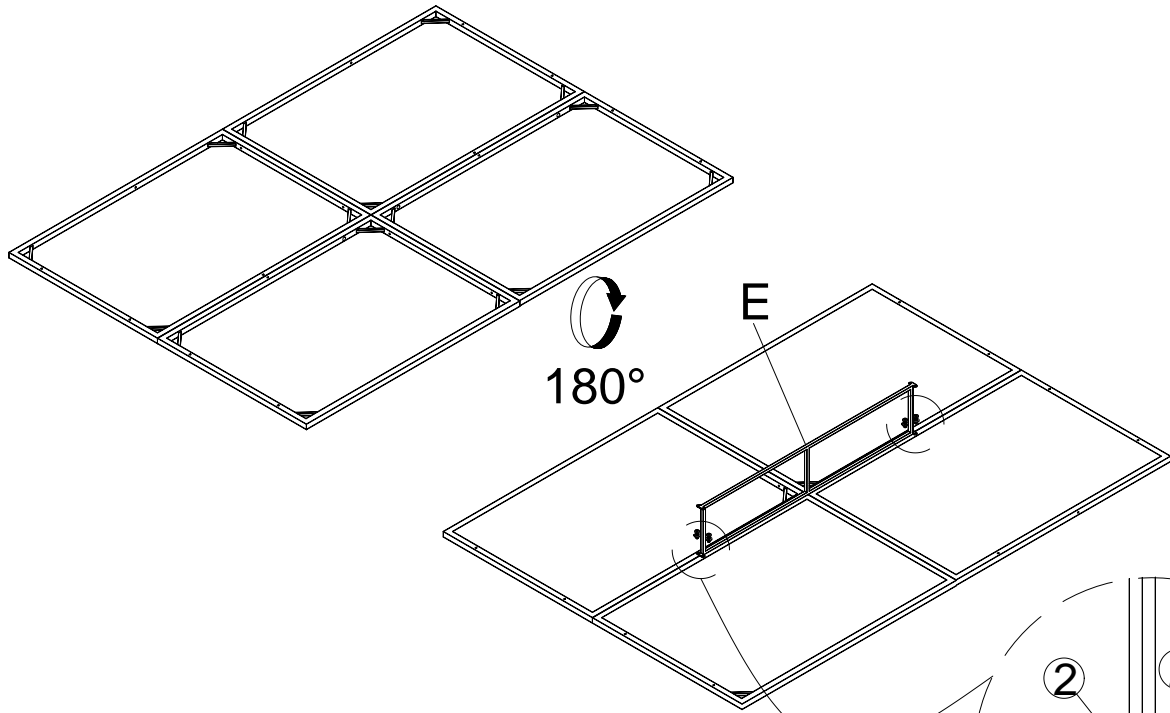
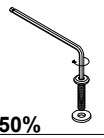
A1 x 1	B1 x 1	A2 x 1	B2 x 1	③ x 4	⑦ x 4
--------	--------	--------	--------	-------	-------

**Step 2** : Connect frame (A1),(B1) with frame (A2),(B2) by bolt (5) and (7).



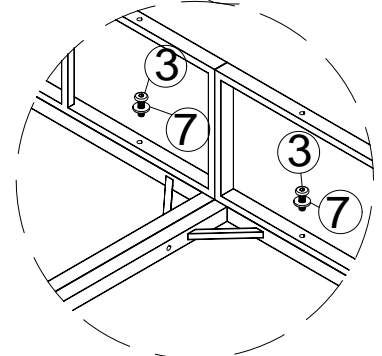
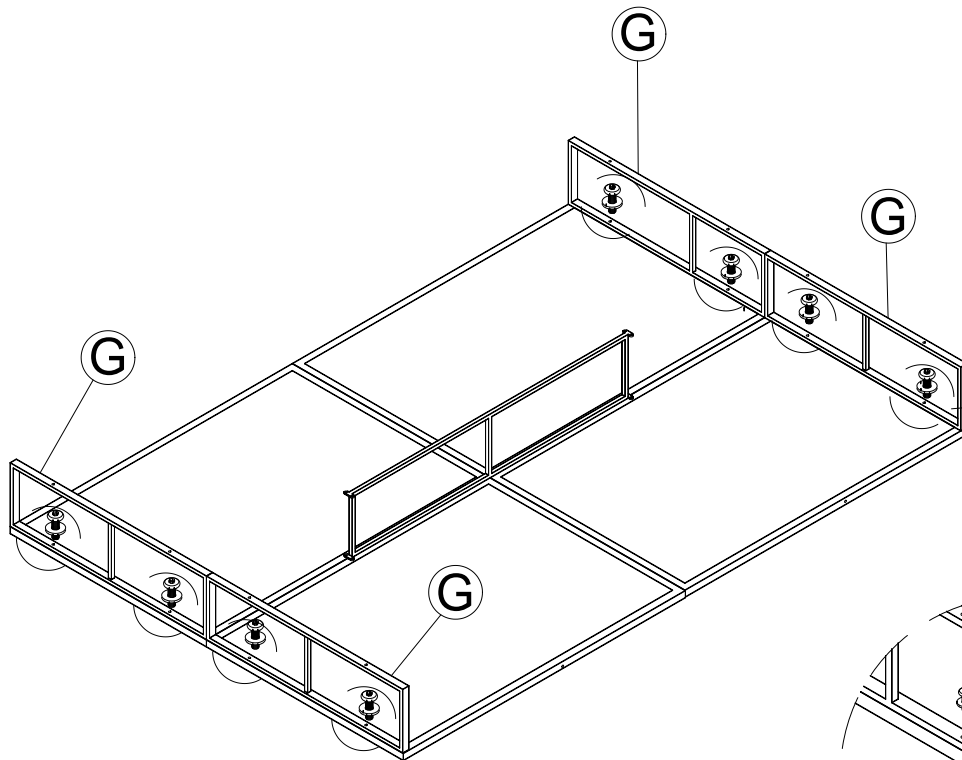
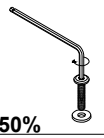
⑤ x 4	⑦ x 4
-------	-------

**Step 3 :** Connect (E) with (A),(B) by bolt (2) and (7).



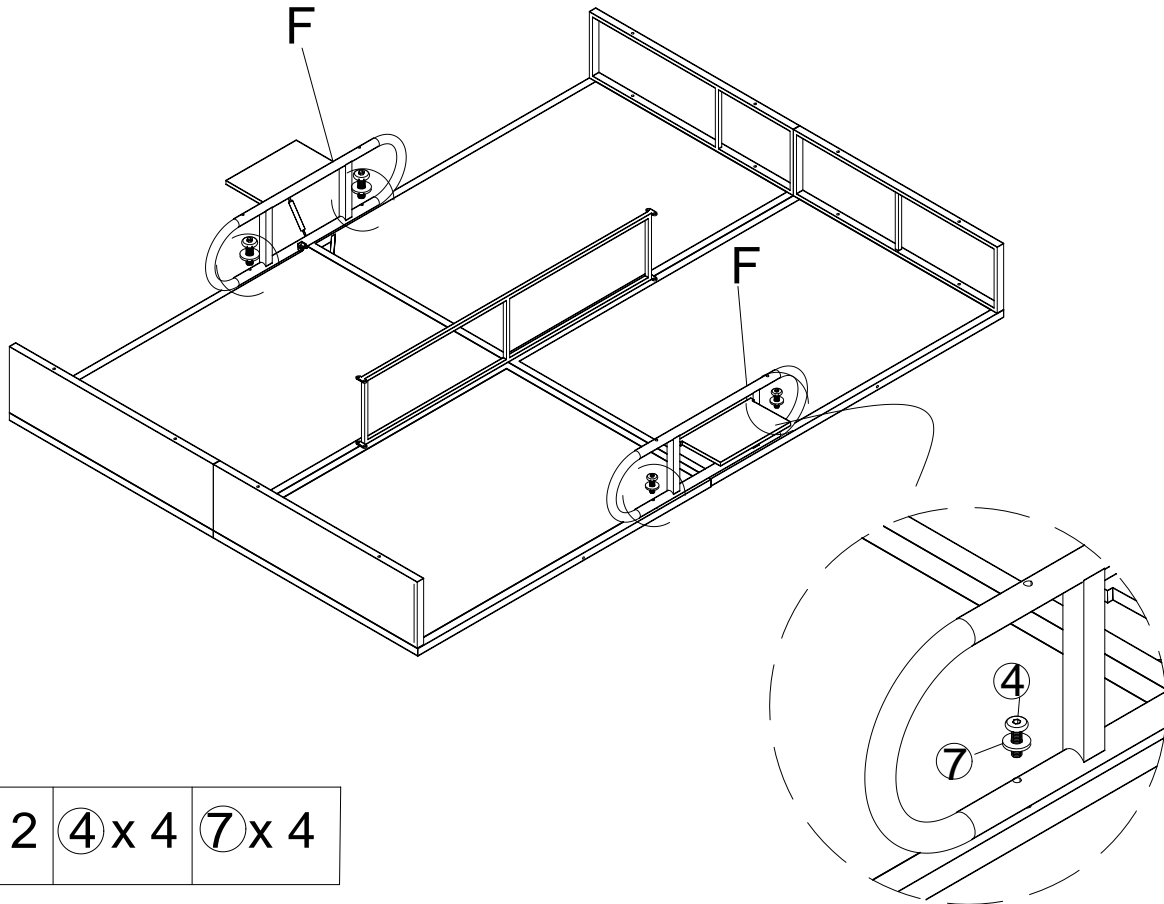
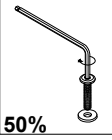
E x 1	② x 4	⑦ x 4
-------	-------	-------

**Step 4 :** Connect (G) with (A),(B) by bolt (3) and (7).



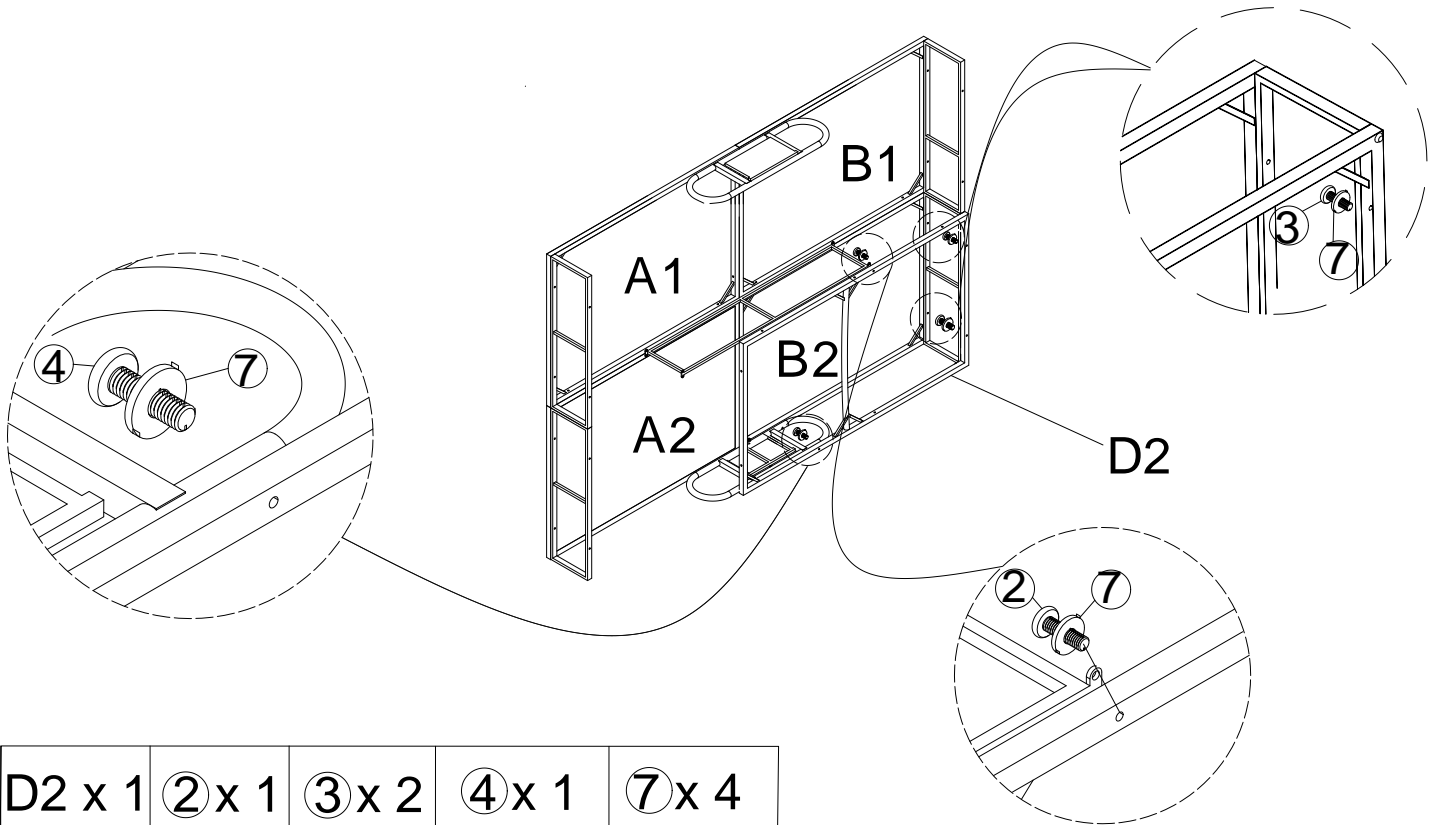
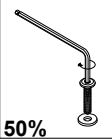
G x 4	③ x 8	⑦ x 8
-------	-------	-------

**Step 5 : Connect (F) with (A),(B) by bolt (4) and (7).**



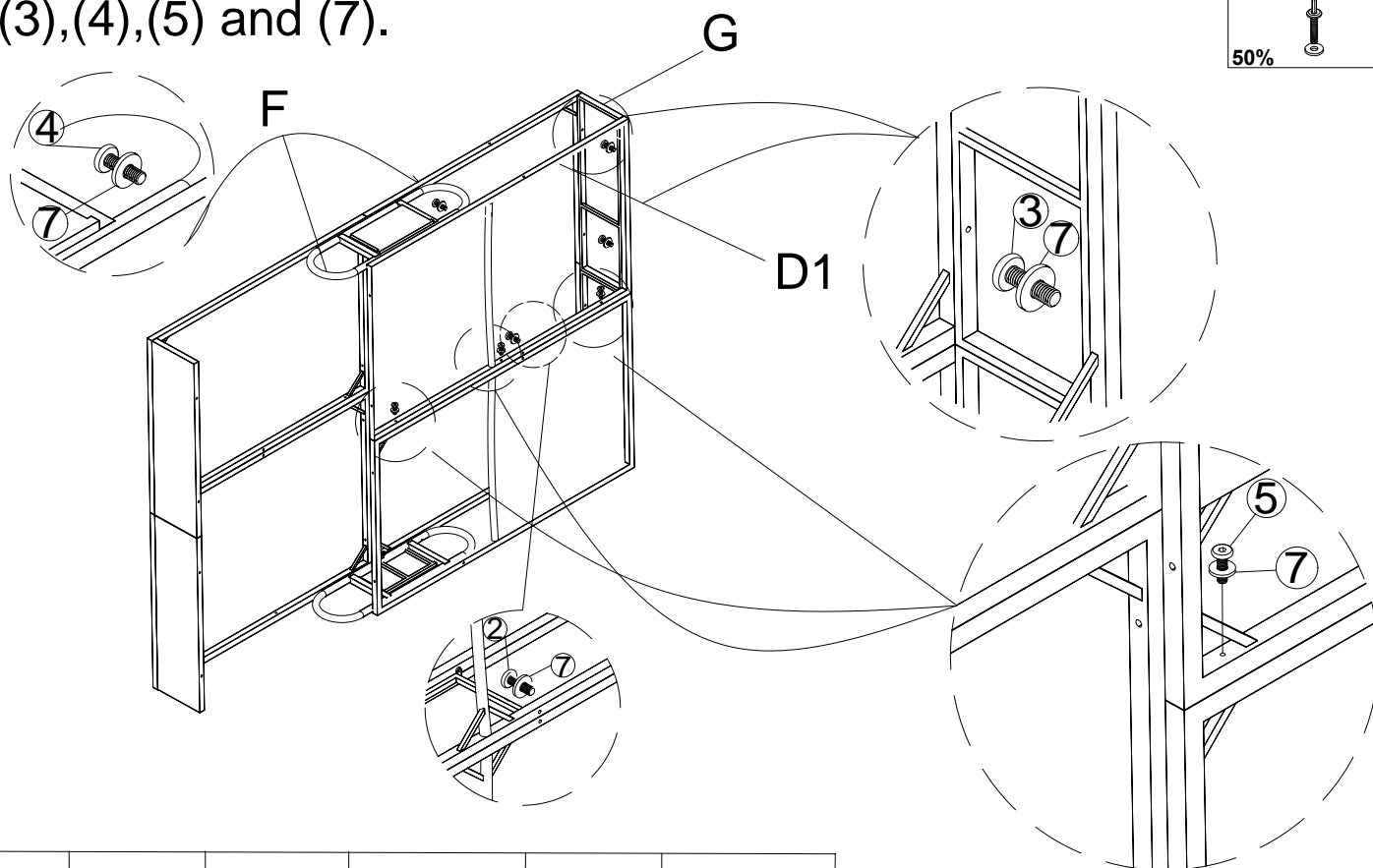
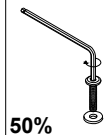
F x 2	④ x 4	⑦ x 4
-------	-------	-------

**Step 6 : Connect (D2) with (G),(F),(E) by bolt (2), (3),(4) and (7).**



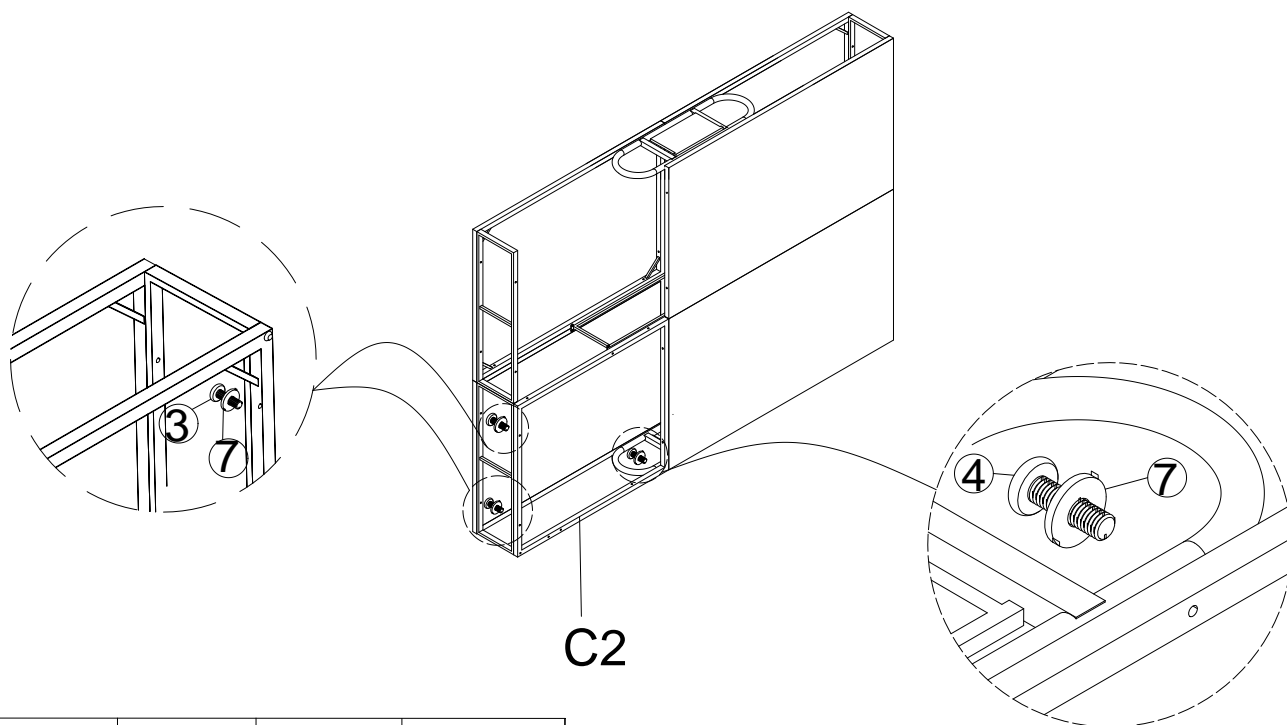
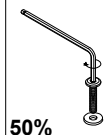
D2 x 1	② x 1	③ x 2	④ x 1	⑦ x 4
--------	-------	-------	-------	-------

**Step 7 :** Connect (D1) with (G),(F),(E) by bolt (2),(3),(4),(5) and (7).



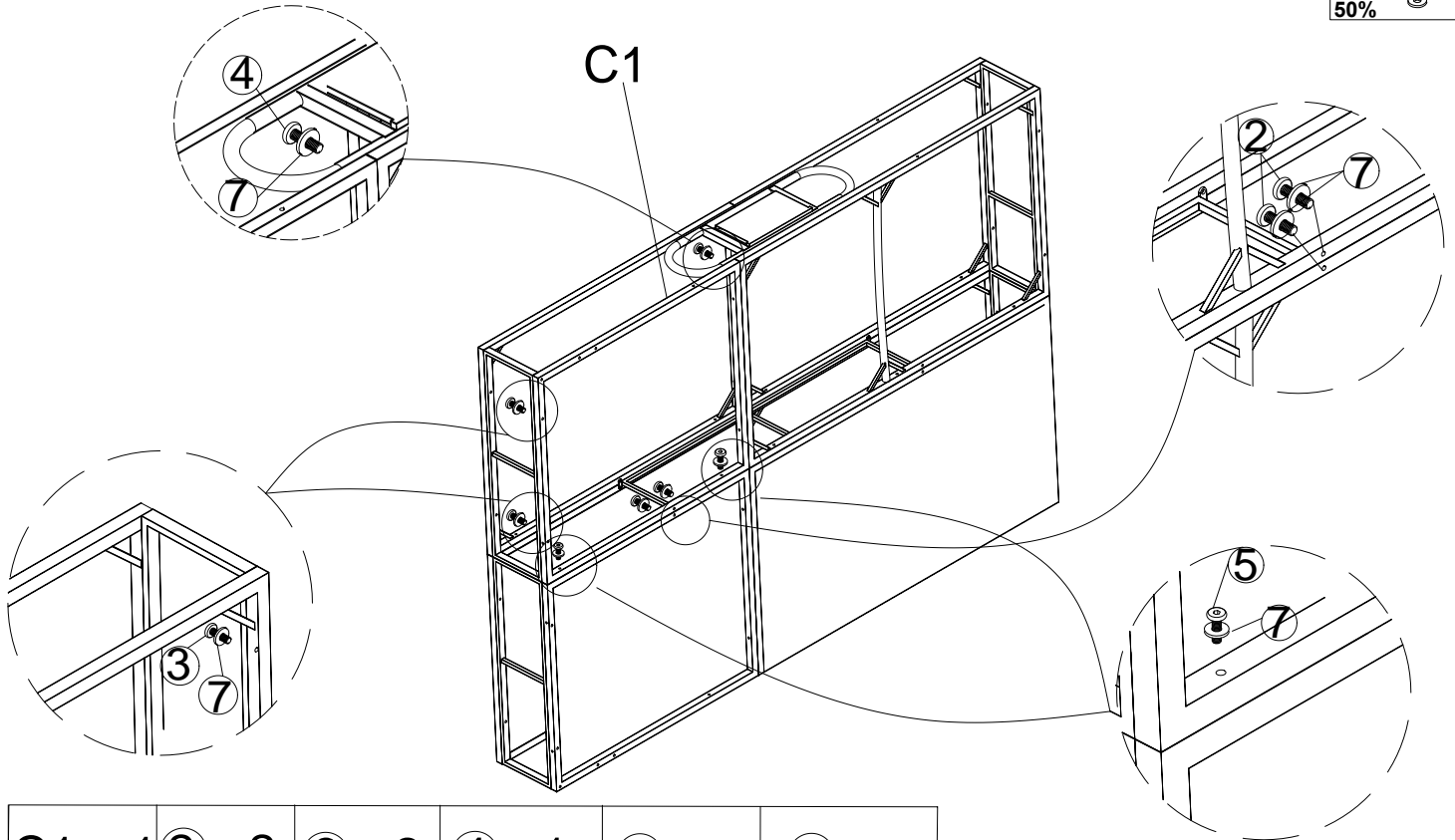
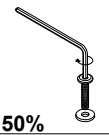
D1 x 1	② x 1	③ x 2	④ x 1	⑤ x 3	⑦ x 7
--------	-------	-------	-------	-------	-------

**Step 8 :** Connect (C2) with (G),(F) and (E) by bolt (3),(4) and (7).



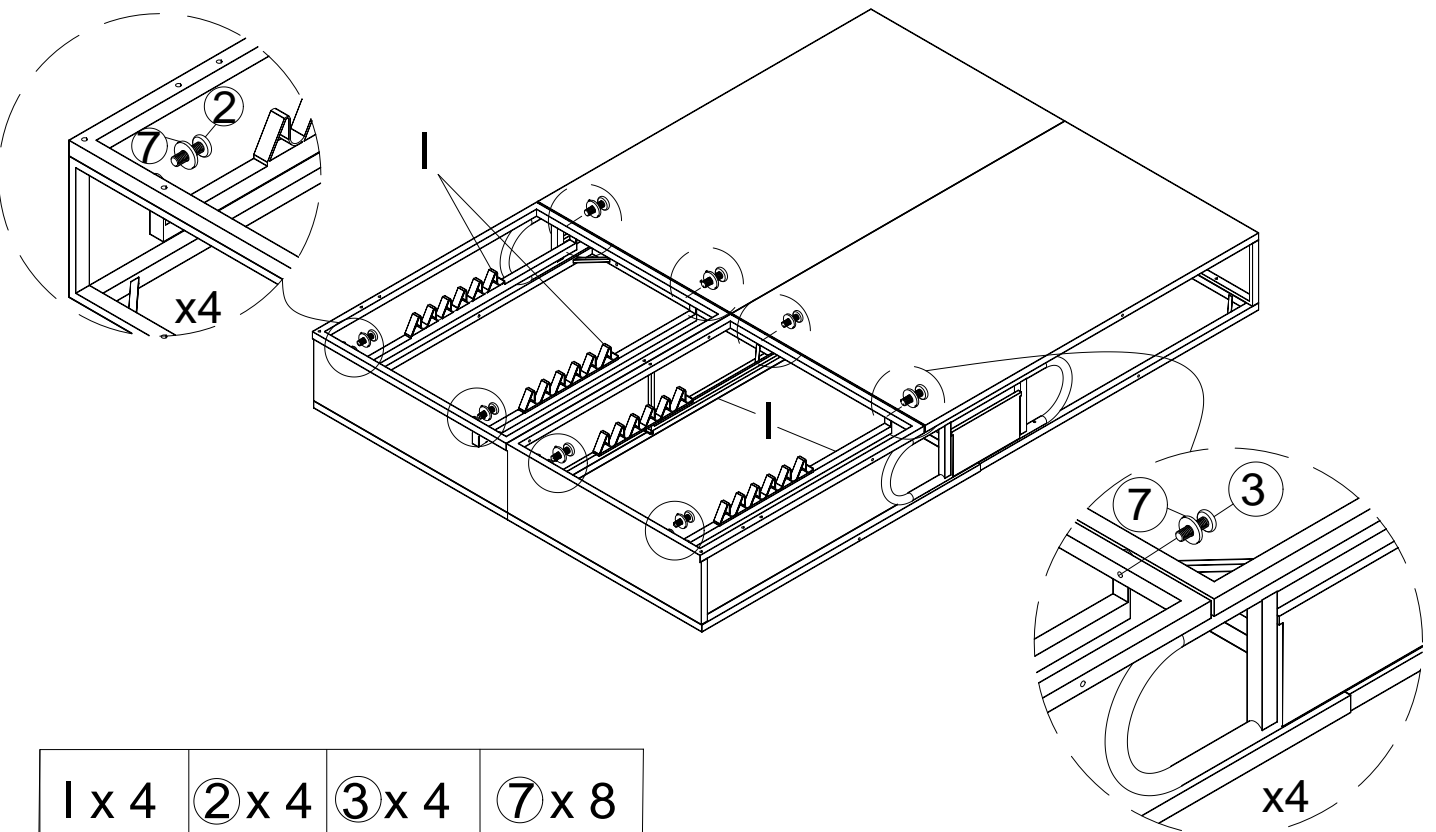
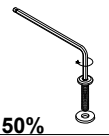
C2 x 1	③ x 2	④ x 1	⑦ x 3
--------	-------	-------	-------

**Step 9 :** Connect (C1) with (G),(F) and (E) by bolt (2),(3),(4),(5) and (7).



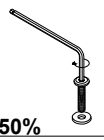
C1 x 1	② x 2	③ x 2	④ x 1	⑤ x 2	⑦ x 7
--------	-------	-------	-------	-------	-------

**Step 10 :** Connect (I) with (C1),(C2) by bolt (2),(3) and (7).

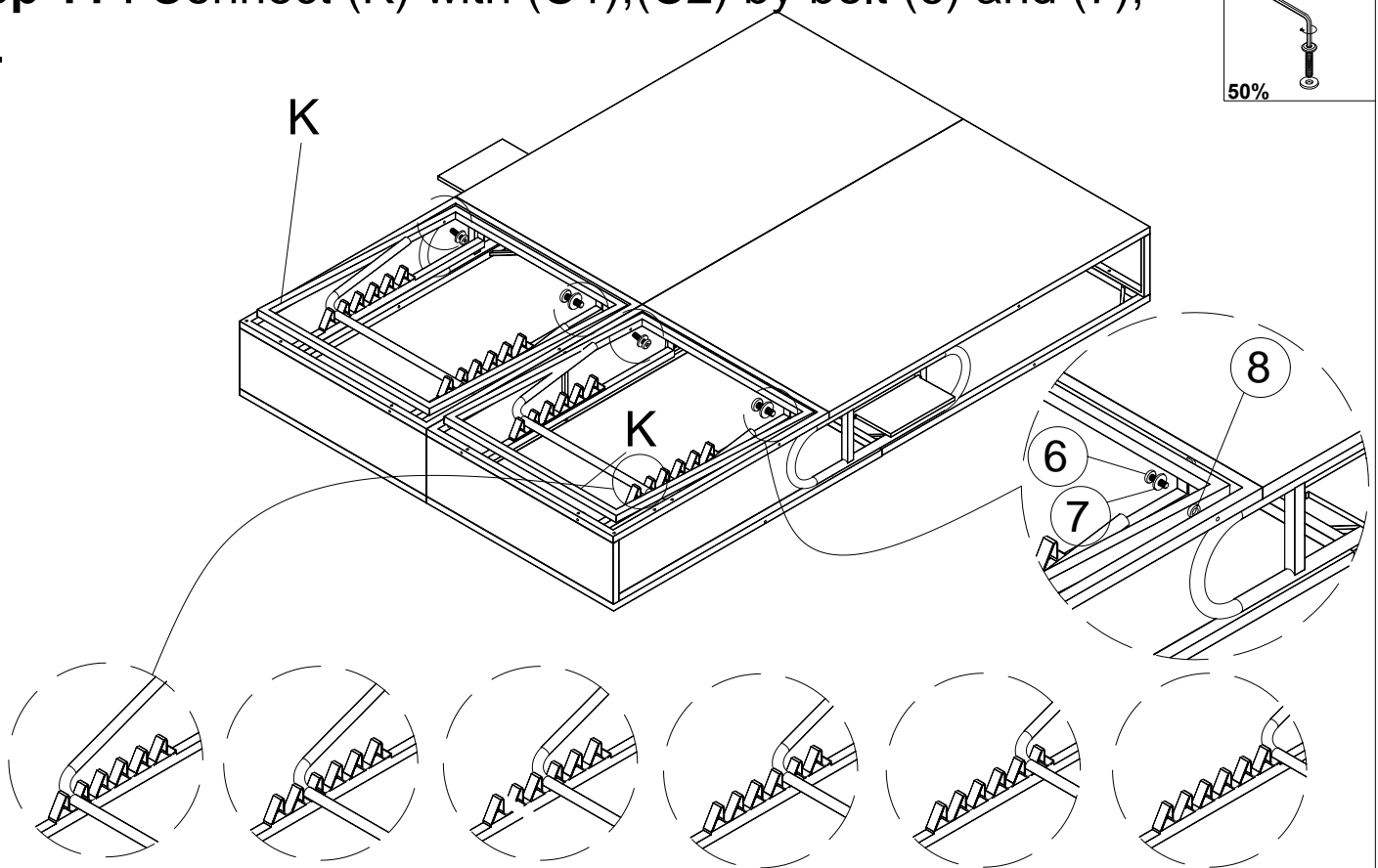


I x 4	② x 4	③ x 4	⑦ x 8
-------	-------	-------	-------

**Step 11** : Connect (K) with (C1),(C2) by bolt (6) and (7), (8).

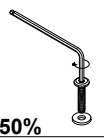


50%

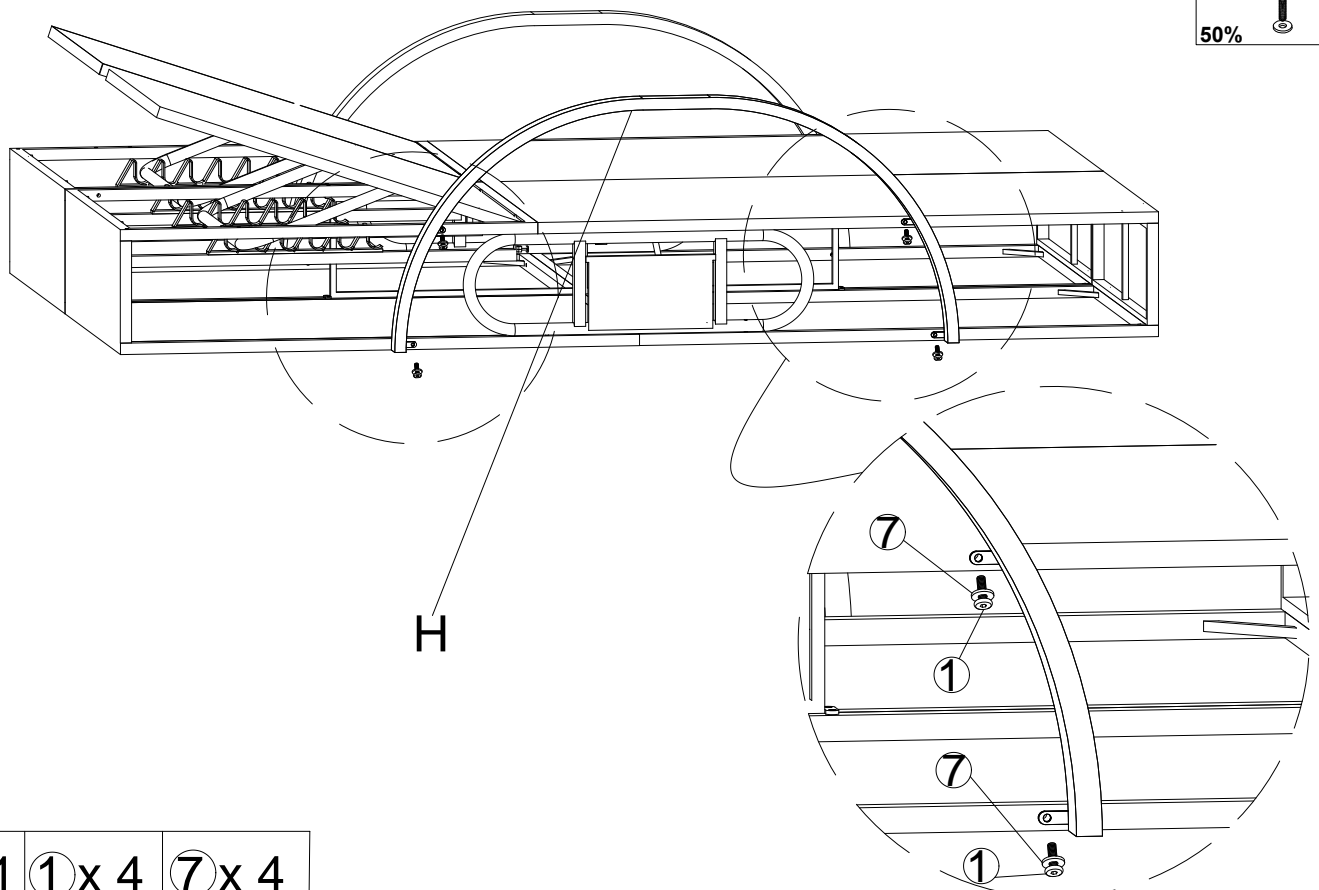


K x 2	⑥ x 4	⑦ x 4	⑧ x 4
-------	-------	-------	-------

**Step 12** : Connect (H) with (A),(B) by bolt (1) and (7).

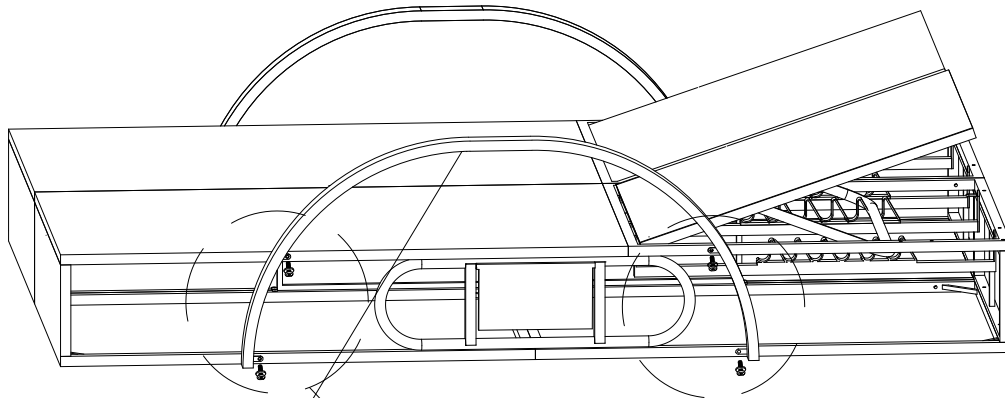
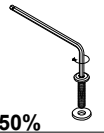


50%

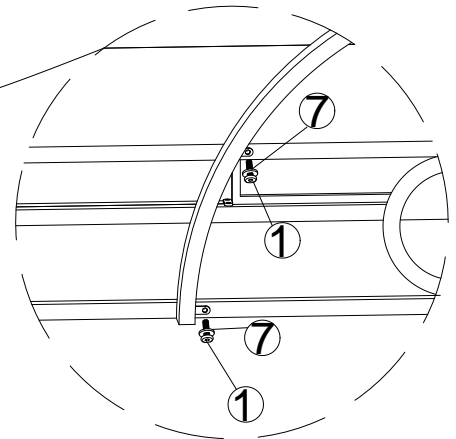


H x 1	① x 4	⑦ x 4
-------	-------	-------

### Step 13 :

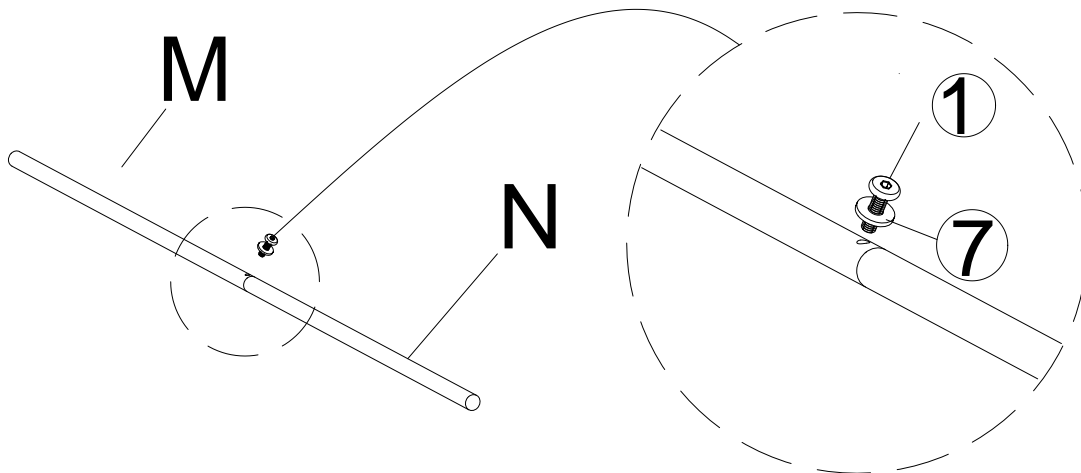
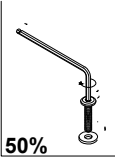


H



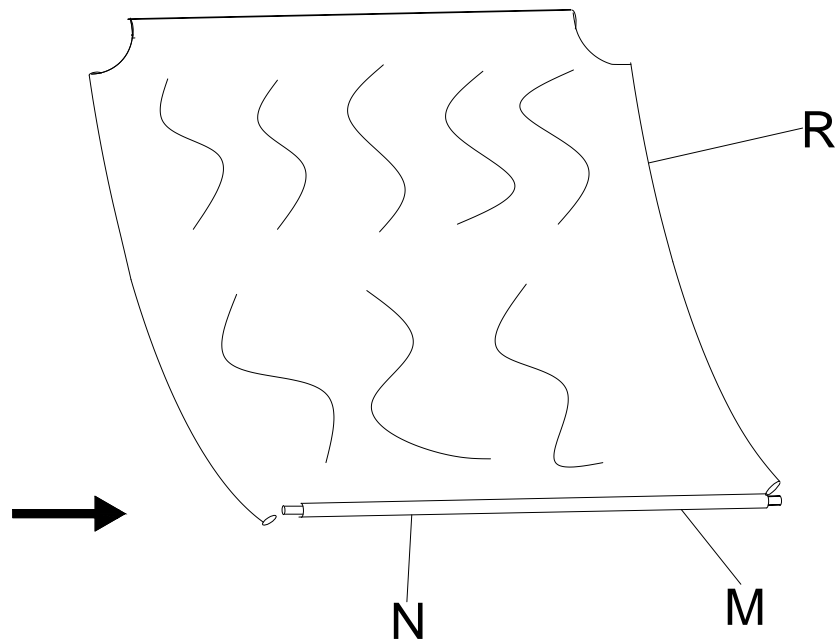
H x 1	① x 4	⑦ x 4
-------	-------	-------

### Step 14 : Connect (M) with (N) by bolt (1) and (7).



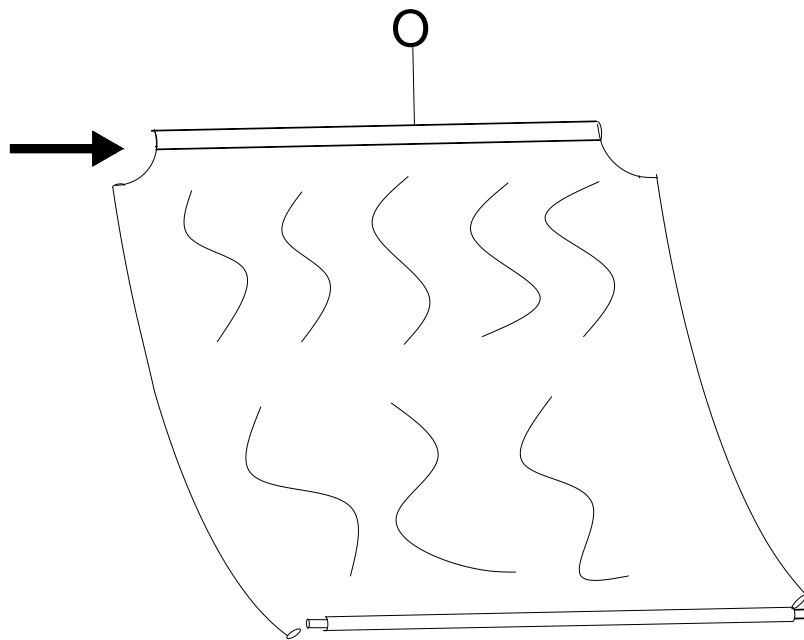
M x 2	N x 2	① x 2	⑦ x 2
-------	-------	-------	-------

**Step 15 :** Connect (R) with (M),(N).



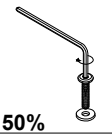
R x 1	M x 1	N x 1
-------	-------	-------

**Step 16 :** Connect (R) with (O).

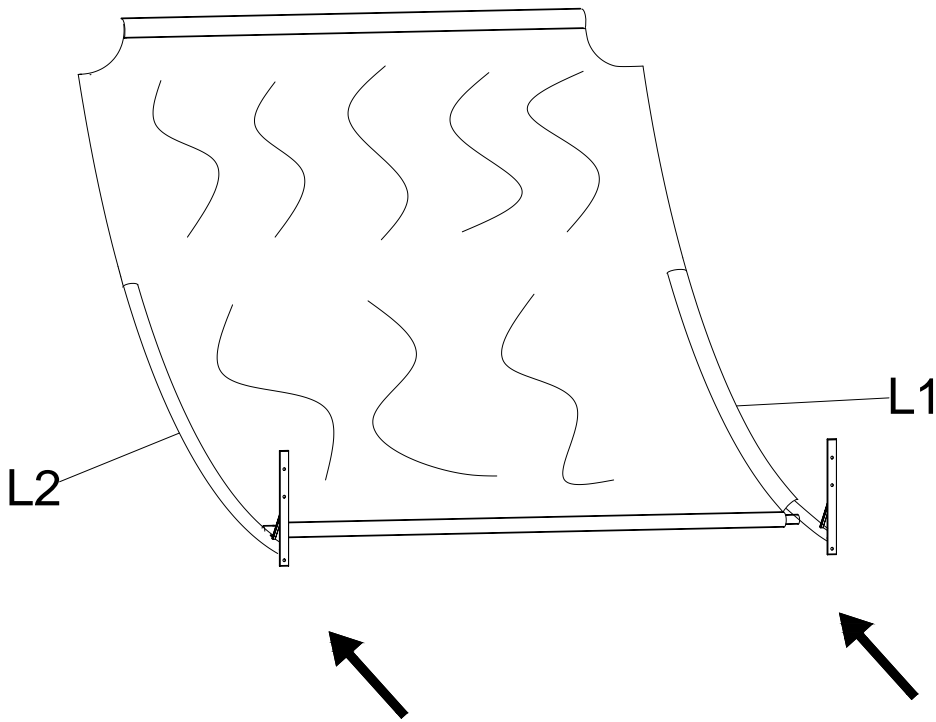


O x 1
-------

**Step 17** : Connect (R) with (L1),(L2).



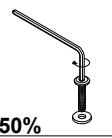
50%



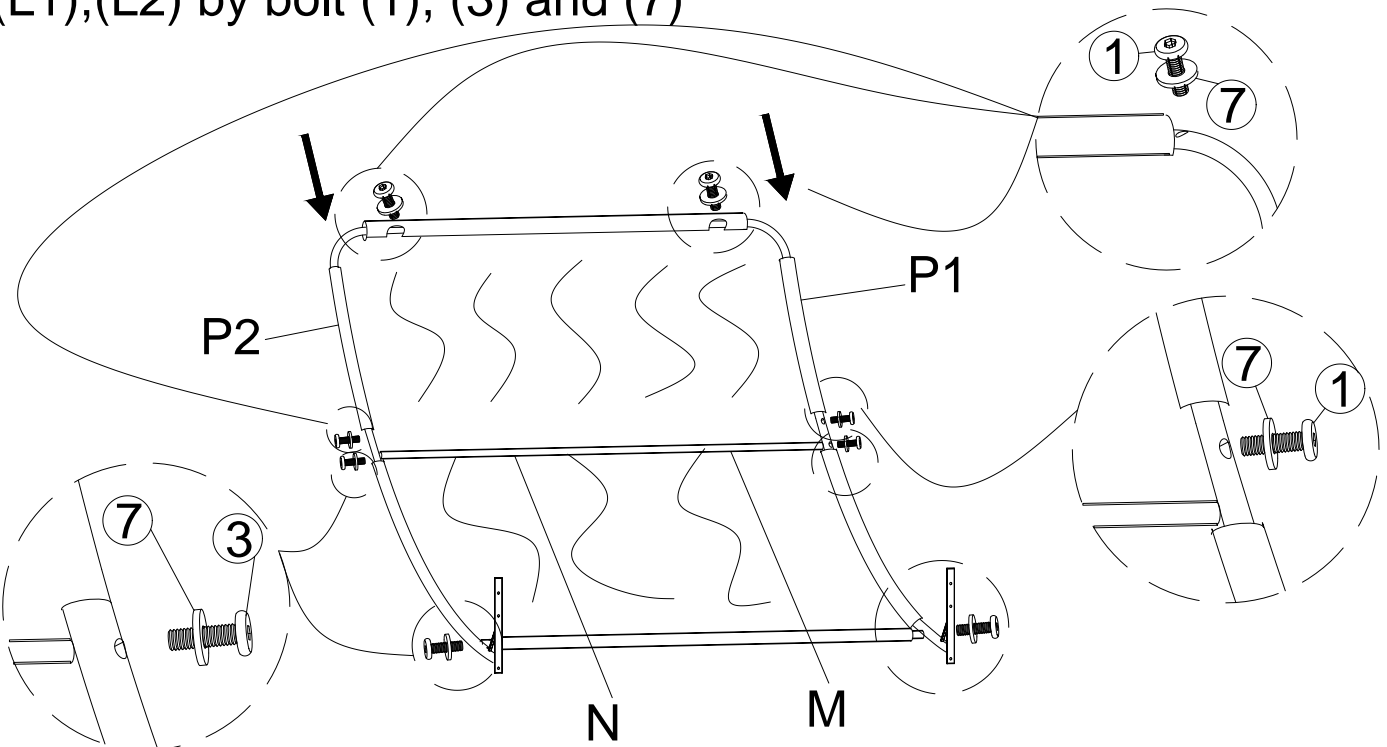
L1 x 1	L2 x 1		
--------	--------	--	--

**Step 18** : Connect (R) with (P1),(P2).

Connect (P1),(P2) with (L1),(L2) , (O) and (M),(N) with (L1),(L2) by bolt (1), (3) and (7)

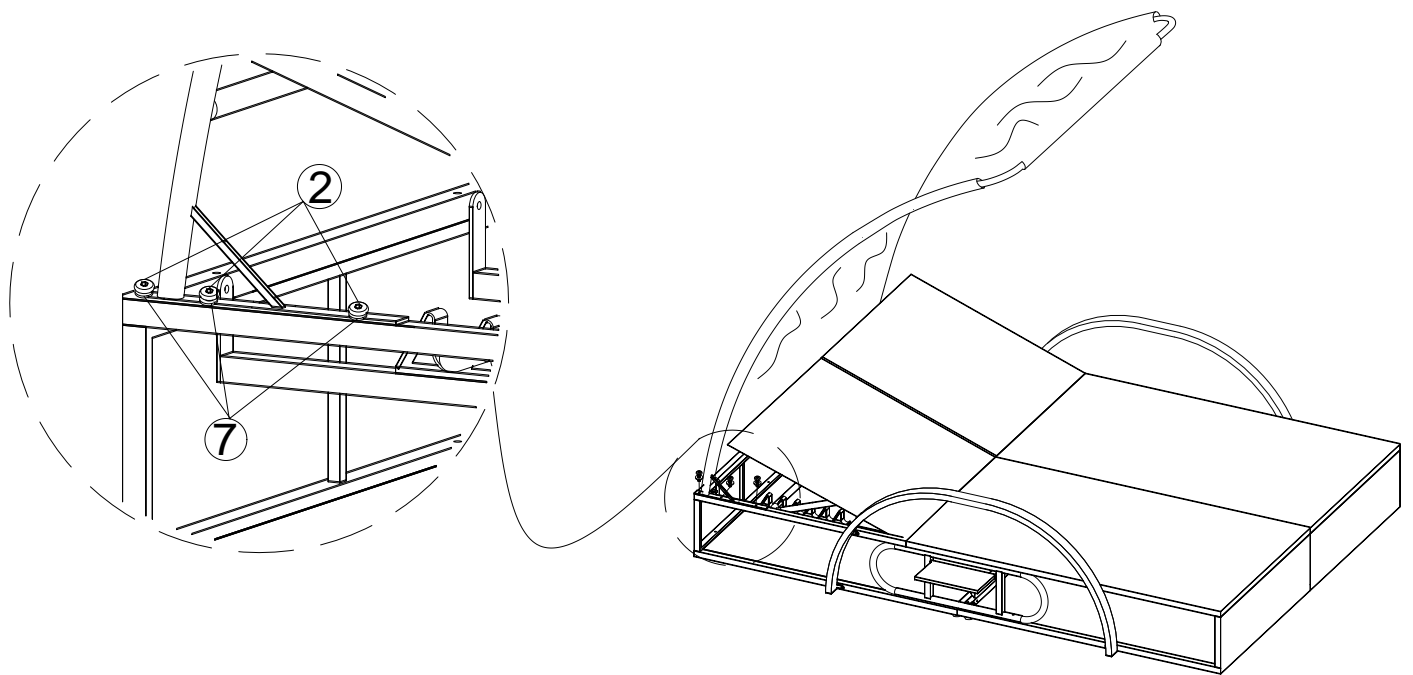


50%



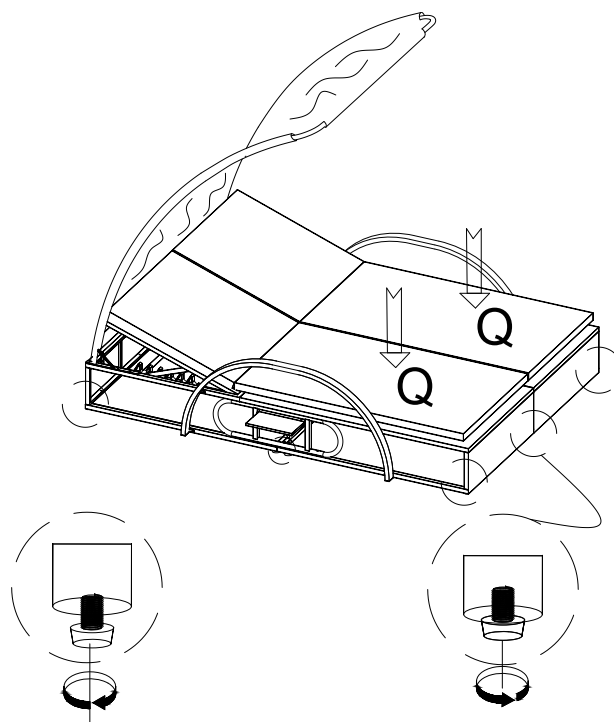
P1 x 1	P2 x 1	① x 4	③ x 4	⑦ x 8
--------	--------	-------	-------	-------

## Step 19 :



②x6	⑦x6
-----	-----

## Step 20 :



Adjust height for balance

Adjust low for balance

Adjust Pre-installed Levellers height for balance
---

**Step 21 :**

