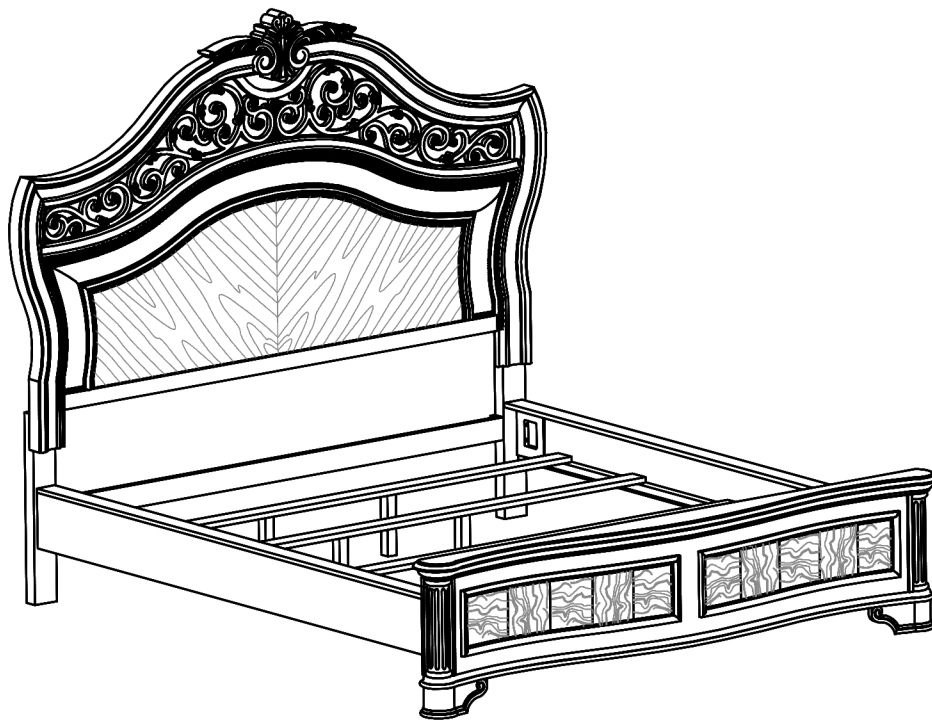


Assembly Instructions



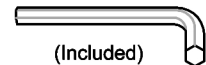
ASSEMBLY RATING

The Assembly Rating is a 5-point system that shows the degree of effort needed in assembling a specific product (with 1 being easy and 5 being difficult). For some products, two persons are recommended.

EASY  DIFFICULT

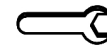
Tools Required For Assembly:

Allen Wrench



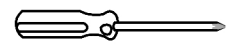
(Included)

Wrench



(Included)

Phillips Screwdriver



(Not Included)

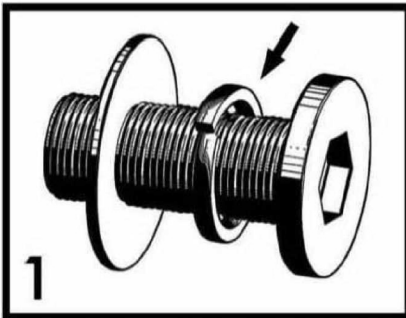


2 PERSONS RECOMMENDED

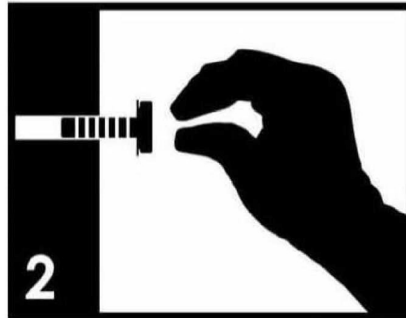
ASSEMBLY & CARE ADVICE

FOR YOUR FURNITURE TO LAST, CORRECT ASSEMBLY AND PROPER MAINTENANCE ARE NECESSARY. PLEASE FOLLOW THE INFORMATION PROVIDED BELOW TO FULLY ENJOY YOUR FURNITURE.

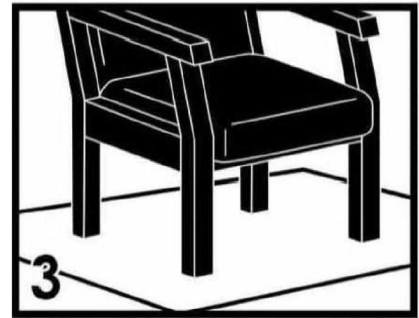
BASIC ASSEMBLY TECHNIQUES



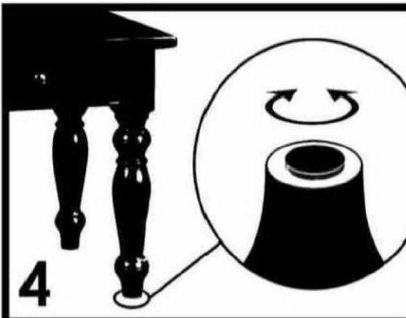
When lock or spring washer is used in an assembly, please make sure the lock or spring washer is placed between the larger flat washer and the head of the screw or bolt.



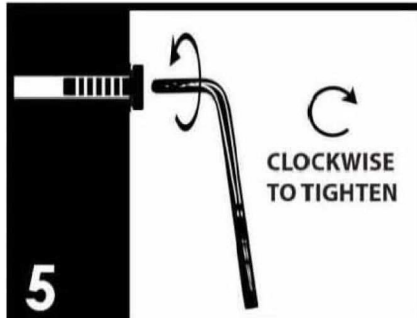
Position each part correctly and insert screws or bolts into their respective holes by hand tighten or using the proper hand tool. Only tighten when step is completed or when instructed to do so.



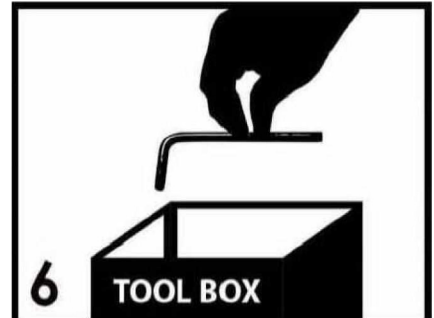
Use cardboard or carpet area when assembling furniture to prevent scratches. Make sure the furniture rests on a flat and level surface with each leg evenly touching the floor.



Some furniture comes with height adjustment knobs underneath each leg. To lower or to raise each leg, you need to turn clockwise or counterclockwise, respectively.



Make sure all parts are properly aligned, then use the appropriate hand tool to completely tighten the bolts or screws. Do not use power tools and do not overtighten.

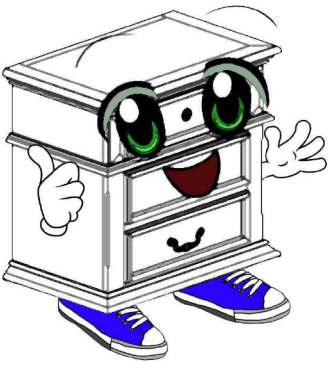


Save the instructions and store the Allen wrench or any supplied tool for later maintenance. After two weeks, check and tighten any loose hardware and repeat again every six months thereafter.

IT IS THE USER'S RESPONSIBILITY TO MAINTAIN THE FURNITURE. THE HARDWARE MAY LOOSEN OVER TIME AND MAY CAUSE THE FURNITURE TO BE WOBBLY AND UNABLE TO SUPPORT ITS INTENDED WEIGHT CAPACITY. THIS MAY LEAD TO COLLAPSE AND MAY CAUSE SERIOUS INJURY.



FAILURE TO FOLLOW THE GUIDELINES ABOVE MAY RESULT IN INJURY AND/OR PROPERTY DAMAGE.




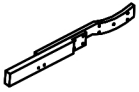
Before you begin, please read Page 2 of "Assembly and Care Advice".


And remember, do not tighten until each step is completed or instructed.

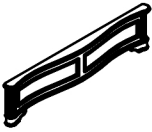
Parts List


Hardware List

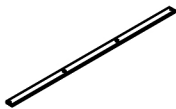
- 


#1 x 1pc
Headboard
- 

#2 x 2pcs
H/Board Leg (R/ L)
- 


#3 x 1pc
H/Board Support
- 


#4 x 1pc
Footboard
- 


#5 x 2pcs
Side Rail
- 


#6 x 4pcs
Slat
- 


#7 x 8pcs $\text{Ø}1/4"$
Support Leg 214*30*30mm


- 


#A x 8pcs
Bolt $\text{Ø}5/16"$ x 2-1/4"
- 

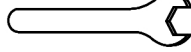
#B x 14pcs
Bolt $\text{Ø}5/16"$ x 1-3/4"
- 


#C x 22pcs
Lock washer $\text{Ø}5/16"$
- 

#D x 22pcs
Flat washer $\text{Ø}5/16"$
- 

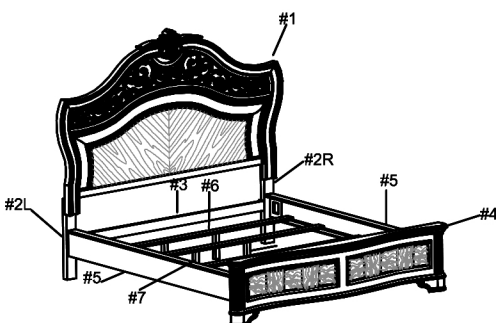
#E x 1pc
Allen wrench 5mm
- 

#F x 8pcs
Threaded Stud $\text{Ø}5/16"$ x 3-1/2"
- 

#G x 8pcs
Hex Nut $\text{Ø}5/16"$
- 

#H x 1pc
Wrench $\text{Ø}12\text{mm}$
- 

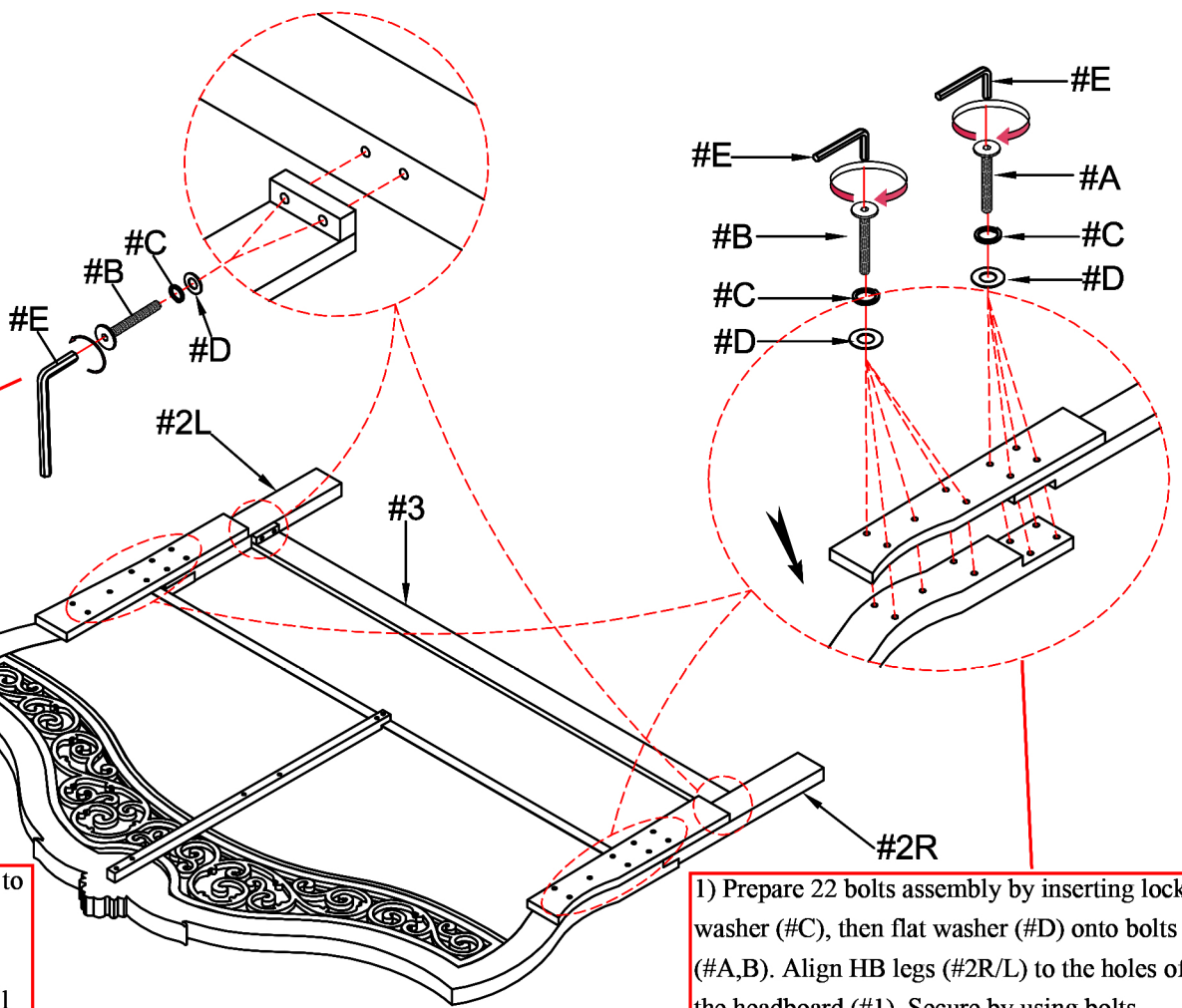
#K x 8pcs
Screw #8 x 1-3/16"





#1

#A x 8pcs
#B x 14pcs
#C x 22pcs
#D x 22pcs



2) Align HB support (#3) to the holes of the HB legs (#2R/L). Secure by using bolts (#B) Fully tighten all bolts (#A,B).

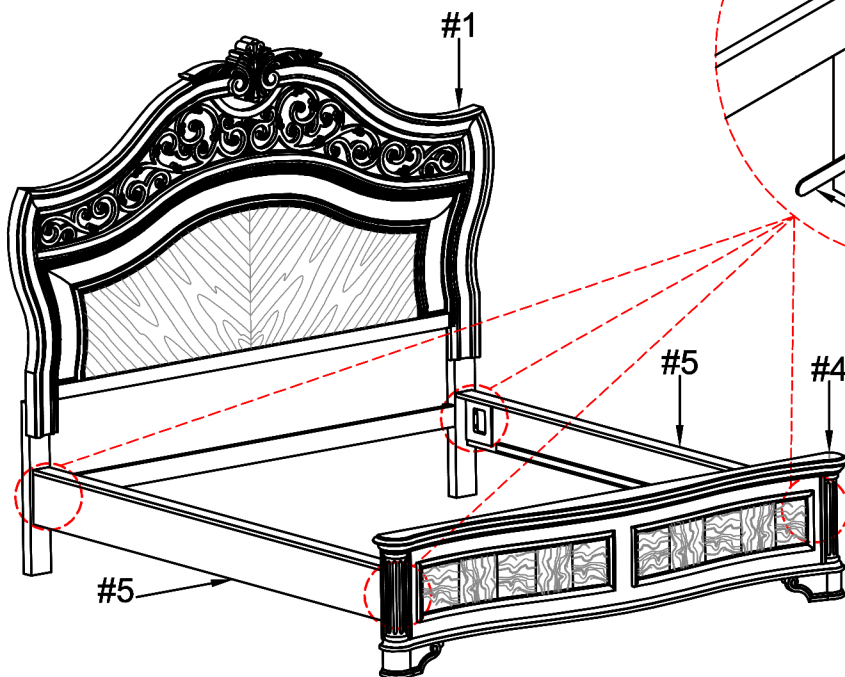
1) Prepare 22 bolts assembly by inserting lock washer (#C), then flat washer (#D) onto bolts (#A,B). Align HB legs (#2R/L) to the holes of the headboard (#1). Secure by using bolts (#A,B). Do not fully tighten.



#2

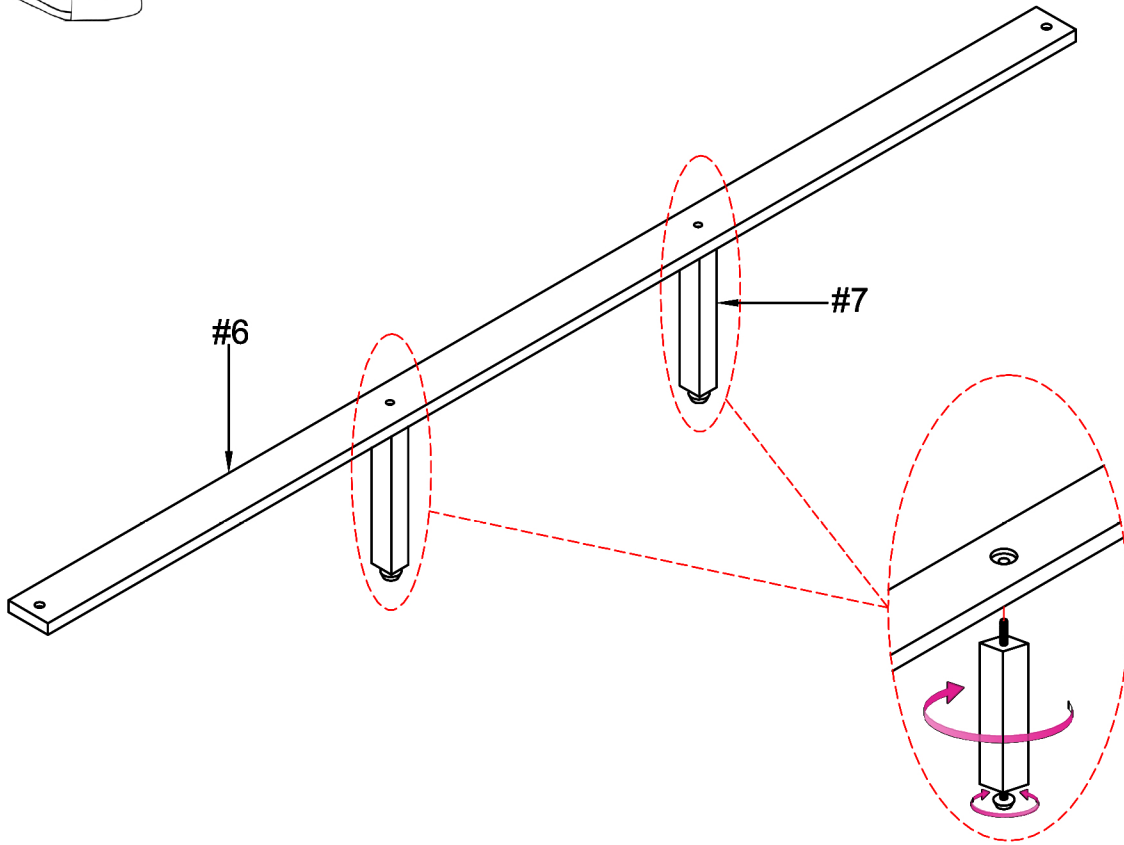
#F x 8pcs
#G x 8pcs

Attach threaded bolts (#F) to the headboard (#1) and footboard (#4). Align side rails (#5) to the threaded bolts (#F), then secure by using hex nut (#G).





Attach support legs (#7) to the holes of the slats (#6), then adjust leveler on the support legs (#7) according to ground level.



Align slats to the side rails (#5), then secure by using screws (#K).

#K x 8pcs

