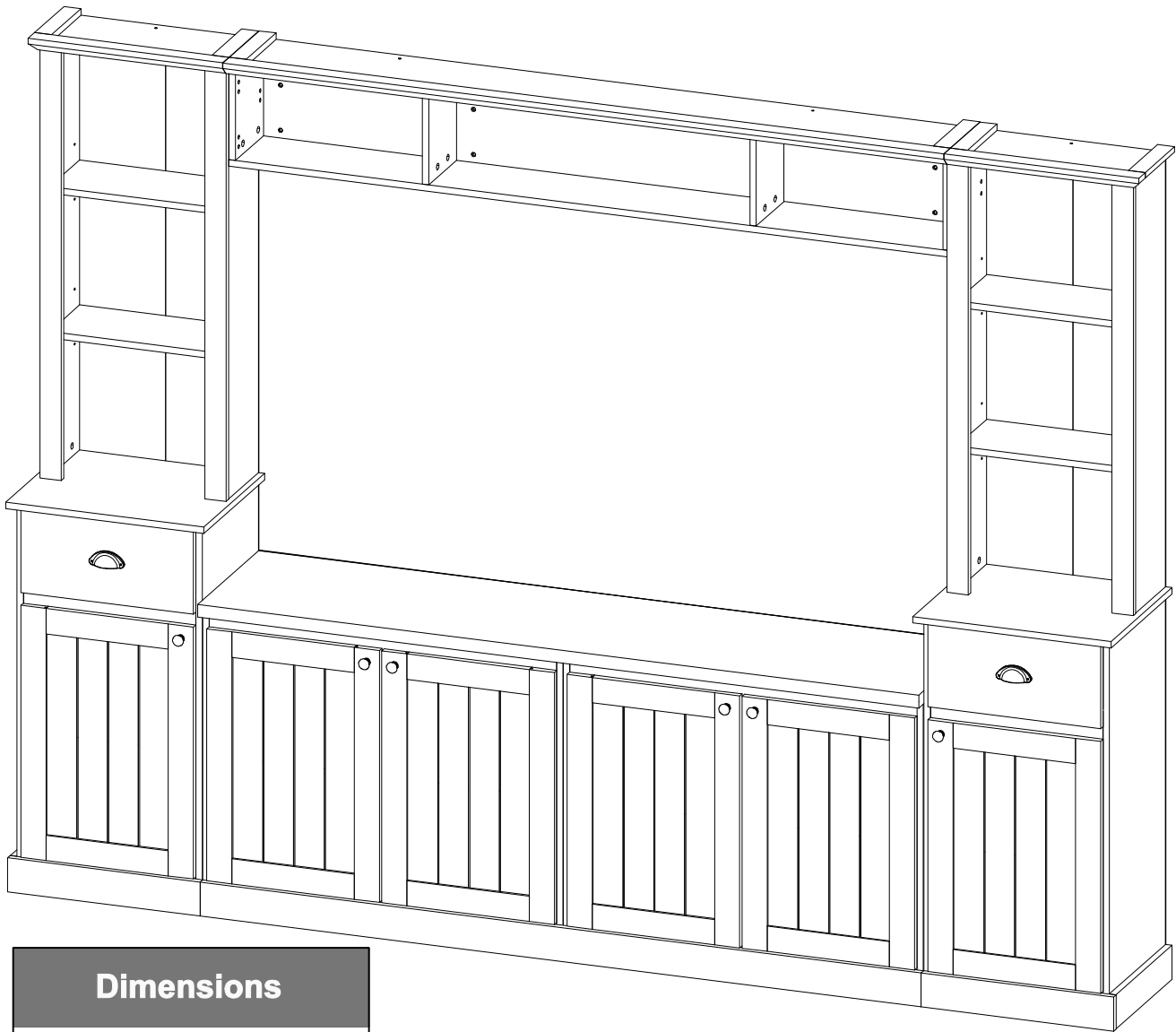


TV STAND

N721P375849
N721P375850
N721P375851

Assembly Instructions - Please keep for future reference



Dimensions

Width-103.23inch
Depth- 14.96inch
Height- 76.57inch

Important – Please read these instructions fully before starting assembly



Safety and Care Advice

Important – Please read these instructions fully before starting assembly

- Check you have all the components and tools listed on the following pages.
- Remove all fittings from the plastic bags and separate them into their groups.
- Keep children and animals away from the work area, small parts could choke if swallowed.
- Make sure you have enough space to layout the parts before starting.

- During assembly do not stand or put weight on the product, this could cause damage.
- Assemble the item as close to its final position (in the same room) as possible.
- Assemble on a soft level surface to avoid damaging the unit or your floor.
- Parts of the assembly will be easier with 2 people.



- To reduce the likelihood of damaging your product please ensure that your power drill is set on a low torque setting.

Care and maintenance

- Only clean using a damp cloth and mild detergent, do not use bleach or abrasive cleaners.
- From time to time check that there are no loose screws on this unit.
- This product should not be discarded with household waste. Take to your local authority waste disposal centre.

Handy Hints

- Assemble all parts and bolts loosely during assembly, only once the product is complete should you fully tighten the bolts
- Regularly check and ensure That all bolts and fittings are tightend properly.

WARNING
In order to help prevent overturning – please follow these instructions

To help prevent product toppling over please follow the below steps:-


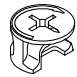
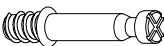

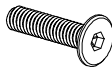
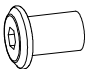


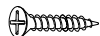
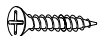
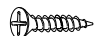



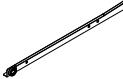
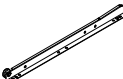
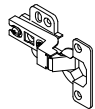




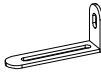
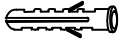




- Use the anti tip stap or wall fixing method provided (if applicable)
- Do not allow children to climb or hang on the furniture
- Do not open more than one drawer at a time
- Do not place heavy items in the top drawers
- Do not place heavy items on top of the furniture, unless the furniture has been designed for this purpose

Components - Fittings

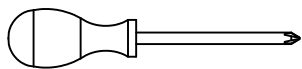
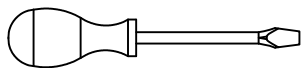
Box A-N721P375849

Please check you have all the panels listed below

Note: The quantities below are the correct amount to complete the assembly. In some cases more fittings may be supplied than are required.

<p>A</p>  <p>Cam bolt x114+3</p>	<p>B</p>  <p>Cam lock x114+3</p>	<p>C</p>  <p>Cam bolt x18+1</p>	<p>D</p>  <p>Cam lock x18+1</p>
<p>E</p>  <p>6*20mm Bolt x14+1</p>	<p>F</p>  <p>6*12mm Joint nut x14+1</p>	<p>G</p>  <p>4*40mm Screw x12+1</p>	<p>H</p>  <p>4*25mm Screw x12+1</p>
<p>I</p>  <p>3.5*14mm Screw x132+4</p>	<p>J</p>  <p>3.5*14mm Screw x4+1</p>	<p>K</p>  <p>3.5*12mm Screw x8+1</p>	<p>L</p>  <p>8*30mm Dowel x42+1</p>
<p>M1L</p>  <p>300mm runner x2</p>	<p>M1R</p>  <p>300mm runner x2</p>	<p>M2L</p>  <p>300mm runner x2</p>	<p>M2R</p>  <p>300mm runner x2</p>
<p>N</p>  <p>Hinges x12</p>	<p>O</p>  <p>Handle x2</p>	<p>P</p>  <p>Handle x 6</p>	<p>Q</p>  <p>4*18mm Screw x 6+6</p>
<p>R</p>  <p>Metal shelf support x 32+1</p>	<p>S</p>  <p>L bracket x4</p>	<p>T</p>  <p>8*40mm Wall plug x 12+1</p>	<p>U</p>  <p>Back panel clasp x 48+1</p>
<p>V</p>  <p>Nail leg x 16+1</p>	<p>W</p>  <p>Sticker x 132+4</p>	<p>X</p>  <p>Allen key x2</p>	

Tools required

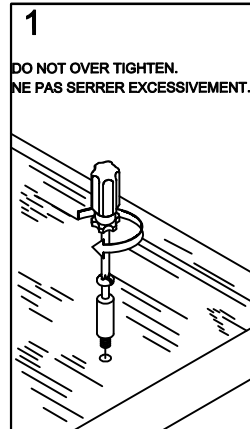


Philips screwdriver
(medium & large)

Using Camlocks

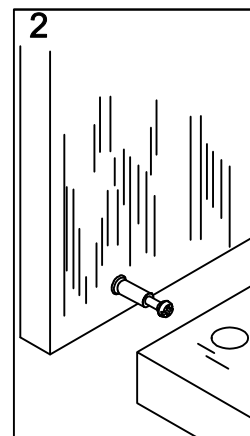
Step 1

Connect the male camlock as directed in the assembly instructions using a screwdriver.



Step 2

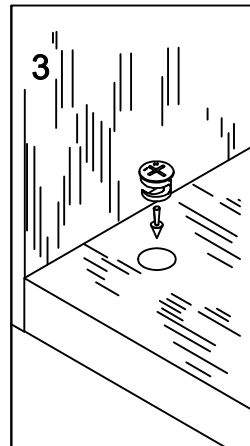
Push the male camlock into the entry hole.



Step 3

Insert the female camlock as shown in the instruction.

Note: ensure that the arrow on the top of the camlock points towards the entry hole for the male camlock.

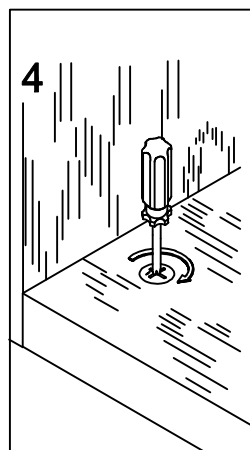


Step 4

Turn the female camlock clockwise with a screwdriver.

You should feel a click when the camlock is locked in place.

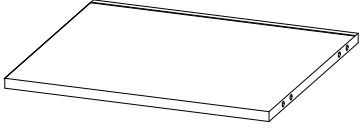
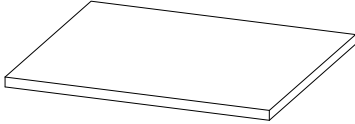
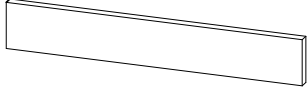
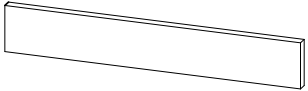
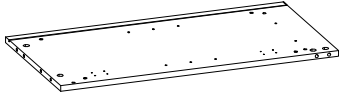
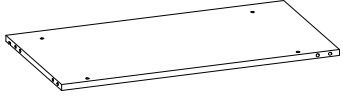
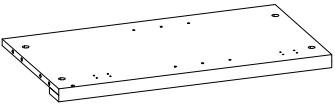
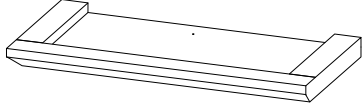
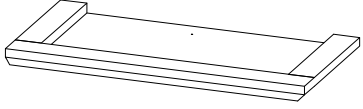
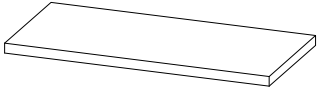
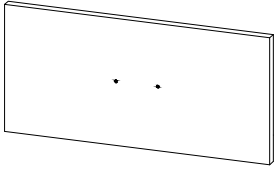
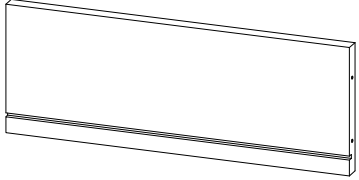
The joint is now secure.



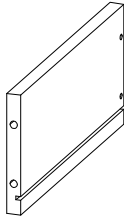
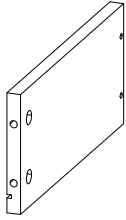
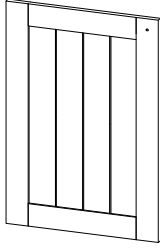
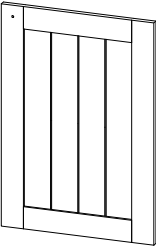
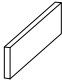
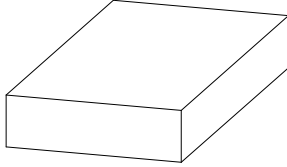
Components - Parts

Please check you have all the panels listed below

Box A-N721P375849

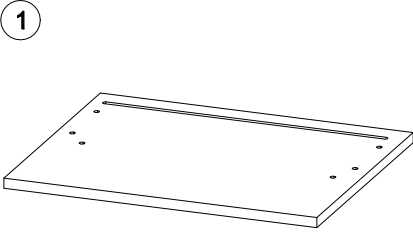
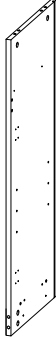
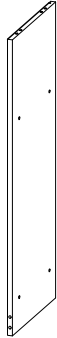



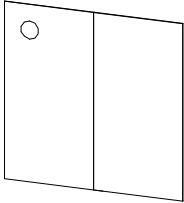
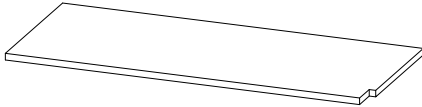
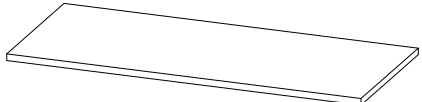



<p>②</p> 	<p>⑨</p> 	<p>⑩</p> 
<p>Bottom Panel (L&R) 409*350*15 2PCS</p>	<p>Shelf Panel (L&R) 407*328*12 2PCS</p>	<p>Leg Panel (L) 455*80*15 1PC</p>
<p>⑪</p> 	<p>⑭</p> 	<p>⑮</p> 
<p>Leg Panel (R) 455*80*15 1PC</p>	<p>Side Panel (L3) 703*350*15 1PC</p>	<p>Side Panel (R3) 703*350*15 1PC</p>
<p>⑯</p> 	<p>⑳</p> 	<p>㉑</p> 
<p>Center Panel 623*350*30 1PC</p>	<p>Box Top Panel (L) 463*226*30 1PC</p>	<p>Box Top Panel (R) 463*226*30 1PC</p>
<p>㉓</p> 	<p>㉘</p> 	<p>㉙</p> 
<p>Box Shelf Panel (L&R) 407*167*12 4PCS</p>	<p>Drawer Front 415*193*15 2PCS</p>	<p>Drawer B 360*130*12 2PCS</p>

Components - Parts



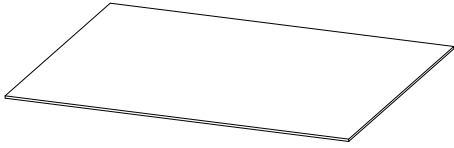
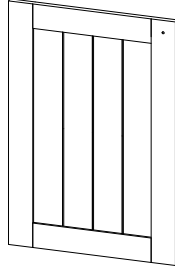
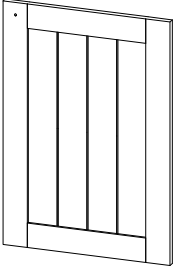
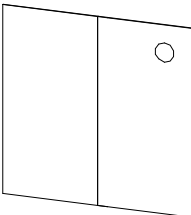
<p>④①</p> 	<p>④②</p> 	<p>④③</p> 
<p>Drawer Side (L) 300*130*12 2PCS</p>	<p>Drawer Side (R) 300*130*12 2PCS</p>	<p>Door Panel (1) 588*415*15 2PCS</p>
<p>④④</p> 	<p>④⑤</p> 	
<p>Door Panel (2) 588*415*15 2PCS</p>	<p>Side kick-out panel 350*80*15 2PCS</p>	<p>Hardware kit x1</p>

Components - Parts

Box B-N721P375850

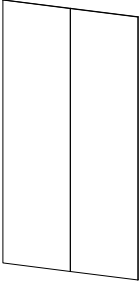
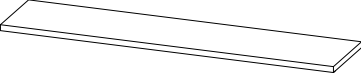
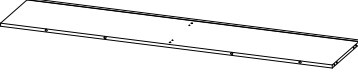

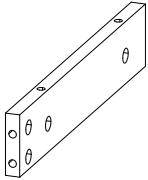

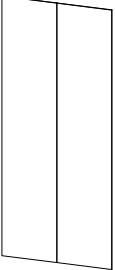

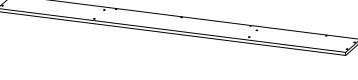
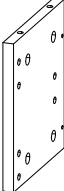
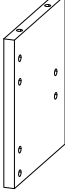
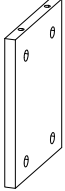
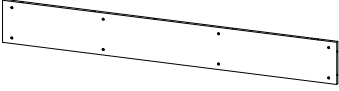
		
<p>① Top Panel (L&R) 469*380*15 2PCS</p>	<p>③ Side Panel (L1) 900*350*15 1PC</p>	<p>④ Side Panel (R1) 900*350*15 1PC</p>
		
<p>⑤ Side Panel (L2) 900*350*15 1PC</p>	<p>⑥ Side Panel (R2) 900*350*15 1PC</p>	<p>⑧ Front Bone (L&R) 409*60*15 2PCS</p>
		
<p>⑰ Back Panel (Center) 633*826*3 1PC</p>	<p>⑲ Shelf Panel (Center-L) 830*328*12 1PC</p>	<p>⑳ Shelf Panel (Center-R) 815*328*12 1PC</p>
		
<p>⑳ Box Side Panel (L1) 1000*189*15 1PC</p>	<p>㉕ Box Side Panel (R1) 1000*189*15 1PC</p>	<p>㉗ Box Side Panel (L2) 1000*189*15 1PC</p>

Components - Parts

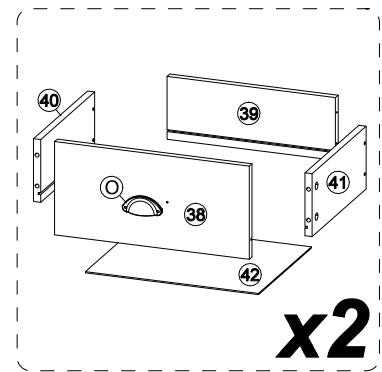
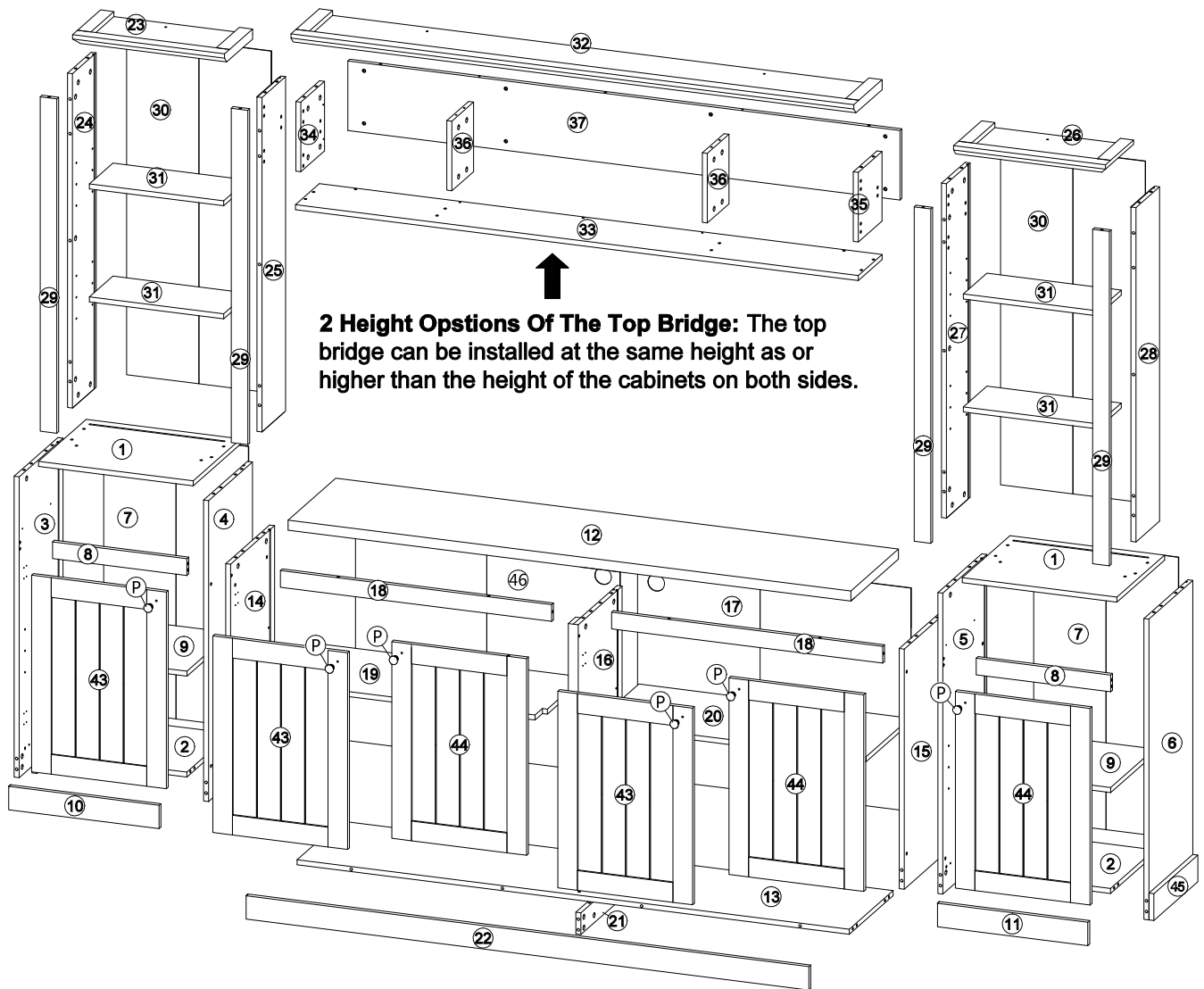
<p>28</p> 	<p>29</p> 	<p>42</p> 
<p>Box Side Panel (R2) 1000*189*15 1PC</p>	<p>Box Side Rail (L&R) 1000*50*15 4PCS</p>	<p>Drawer Bottom 370*297*3 2PCS</p>
<p>43</p> 	<p>44</p> 	<p>46</p> 
<p>Door Panel (1) 588*415*15 1PC</p>	<p>Door Panel (2) 588*415*15 1PC</p>	<p>Back Panel (Center) 633*841*3 1PC</p>

Components - Parts

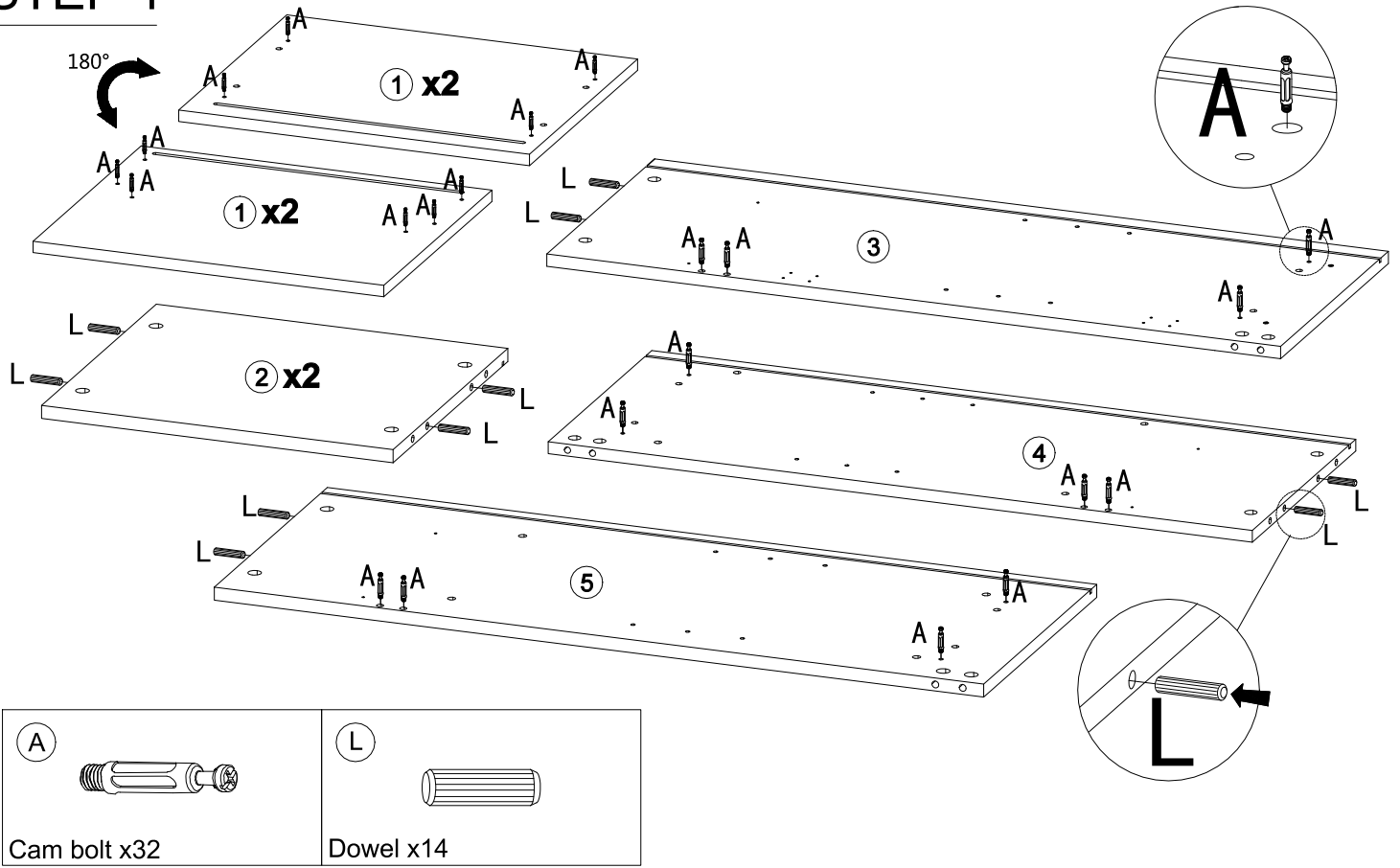
Box C-N721P375851

		
<p>⑦ Back Panel (L&R) 829*419*3 2PCS</p>	<p>⑫ Top Panel (Center) 1696*380*30 1PC</p>	<p>⑬ Bottom Panel (Center) 1664*350*15 1PC</p>
		
<p>⑱ Front Bone (Center) 817*50*15 2PCS</p>	<p>⑳ Leg Center 350*65*15 1PC</p>	<p>㉒ Leg Panel (Center) 1696*80*15 1PC</p>
		
<p>⑳ Box Back Panel (L&R) 1009*419*3 2PCS</p>	<p>㉑ Box Top Panel (Center) 1696*226*30 1PC</p>	<p>㉓ Box Bottom Panel (Center) 1696*190*15 1PC</p>
		
<p>㉔ Box Side Panel (L3) 208*189*15 1PC</p>	<p>㉕ Box Side Panel (R3) 208*189*15 1PC</p>	<p>㉖ Box Center Panel 208*176*15 2PCS</p>
		
<p>㉗ Box Back Panel (Center) 1664*208*12 1PC</p>		

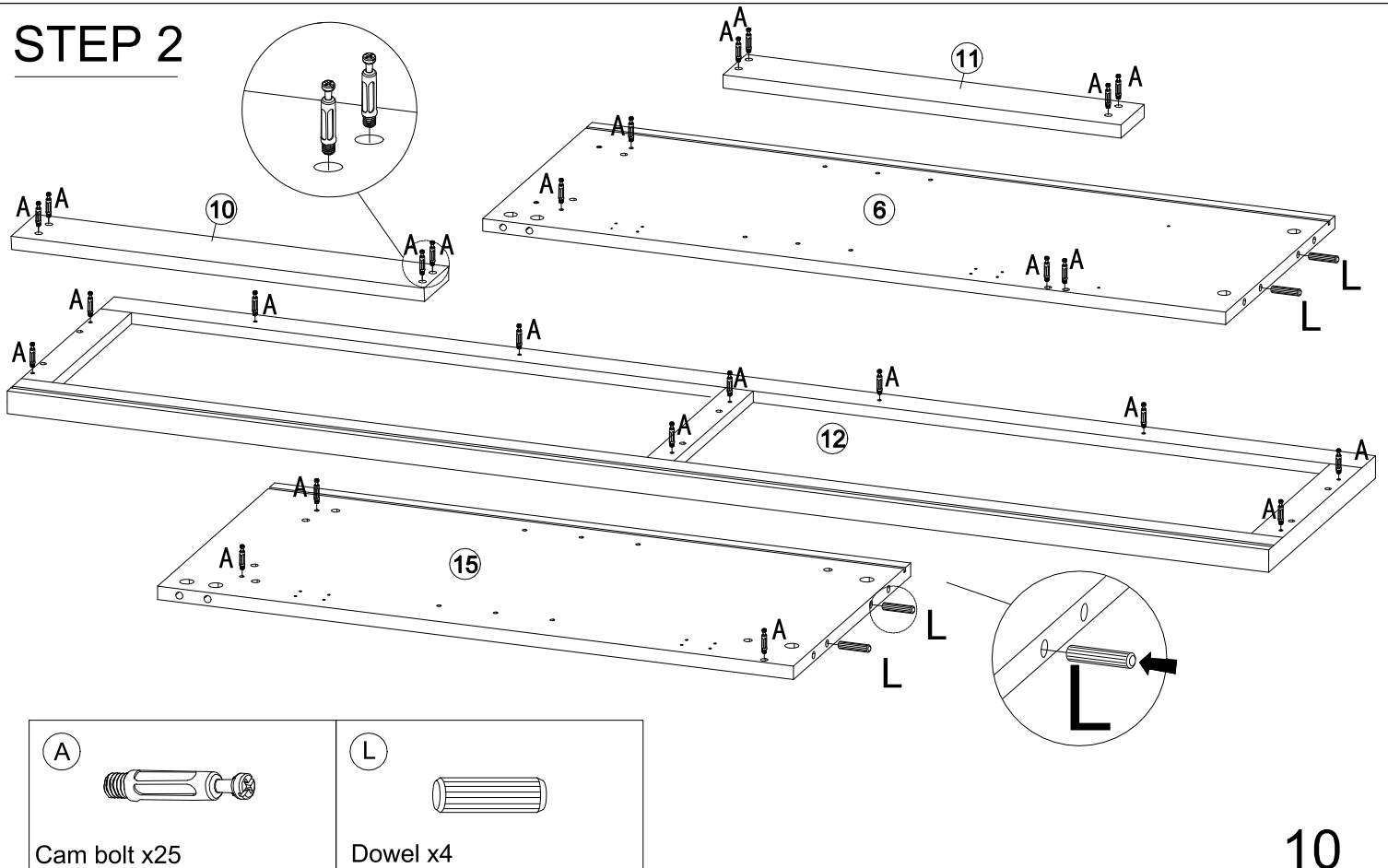
Assembly Instructions



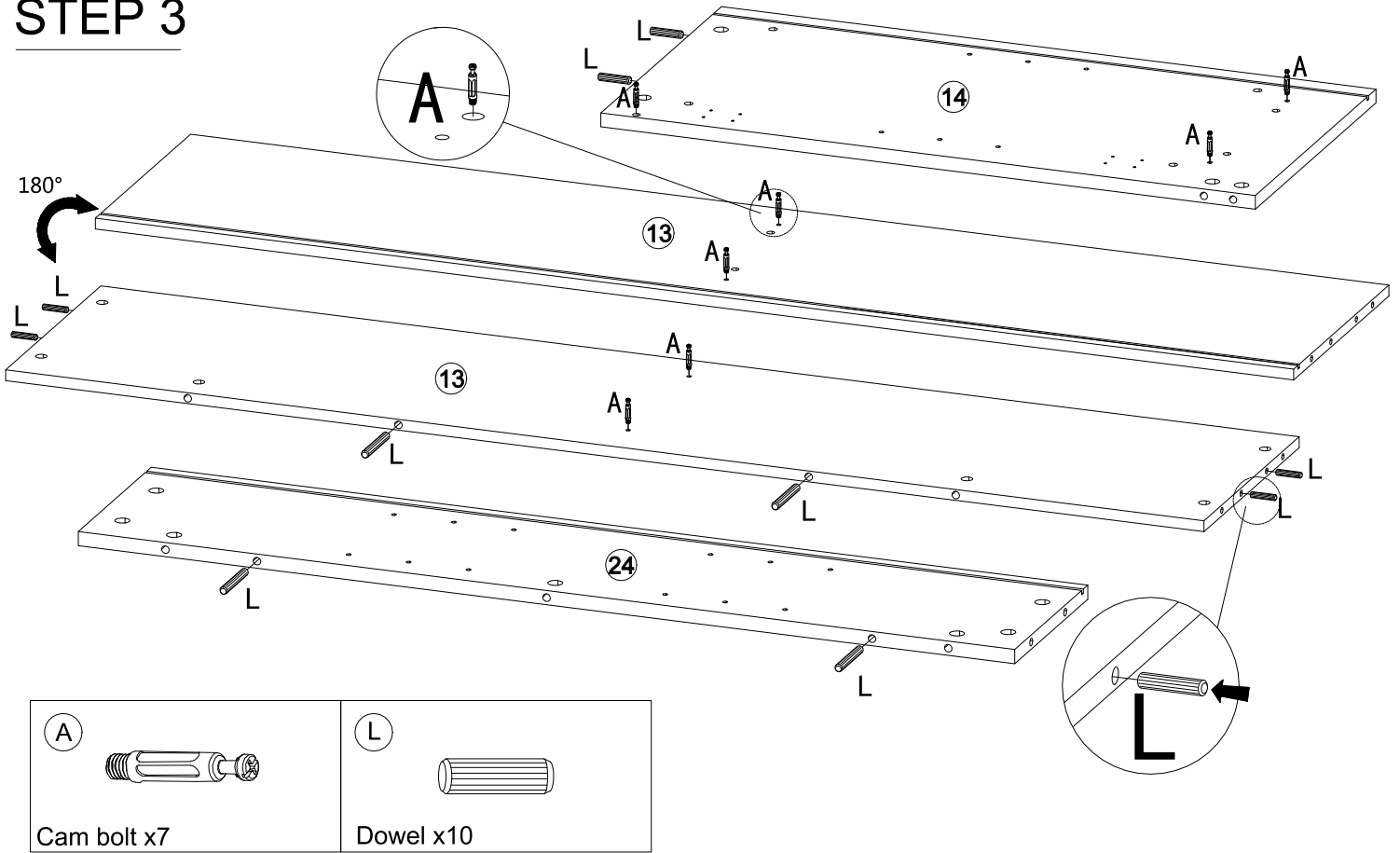
STEP 1



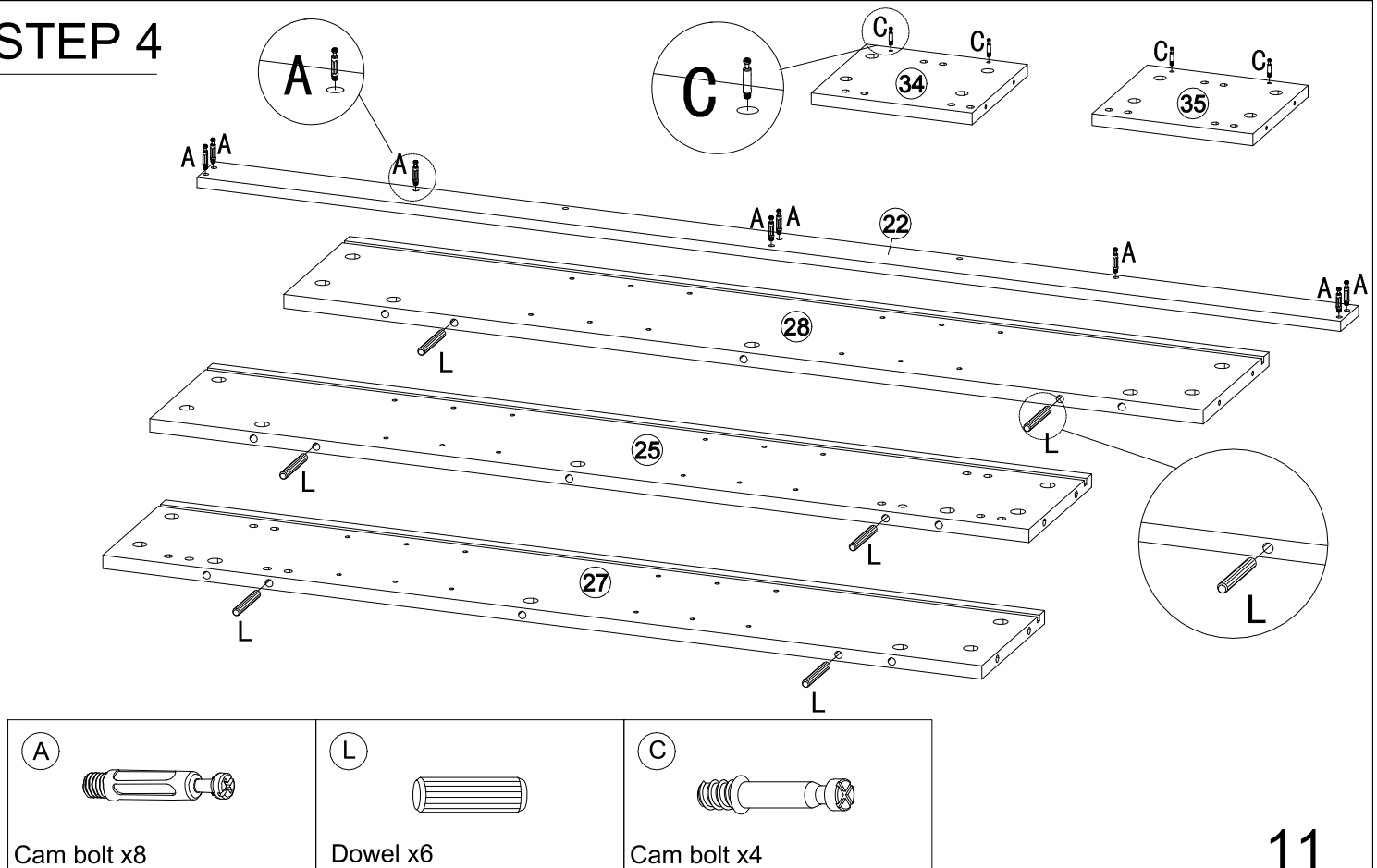
STEP 2



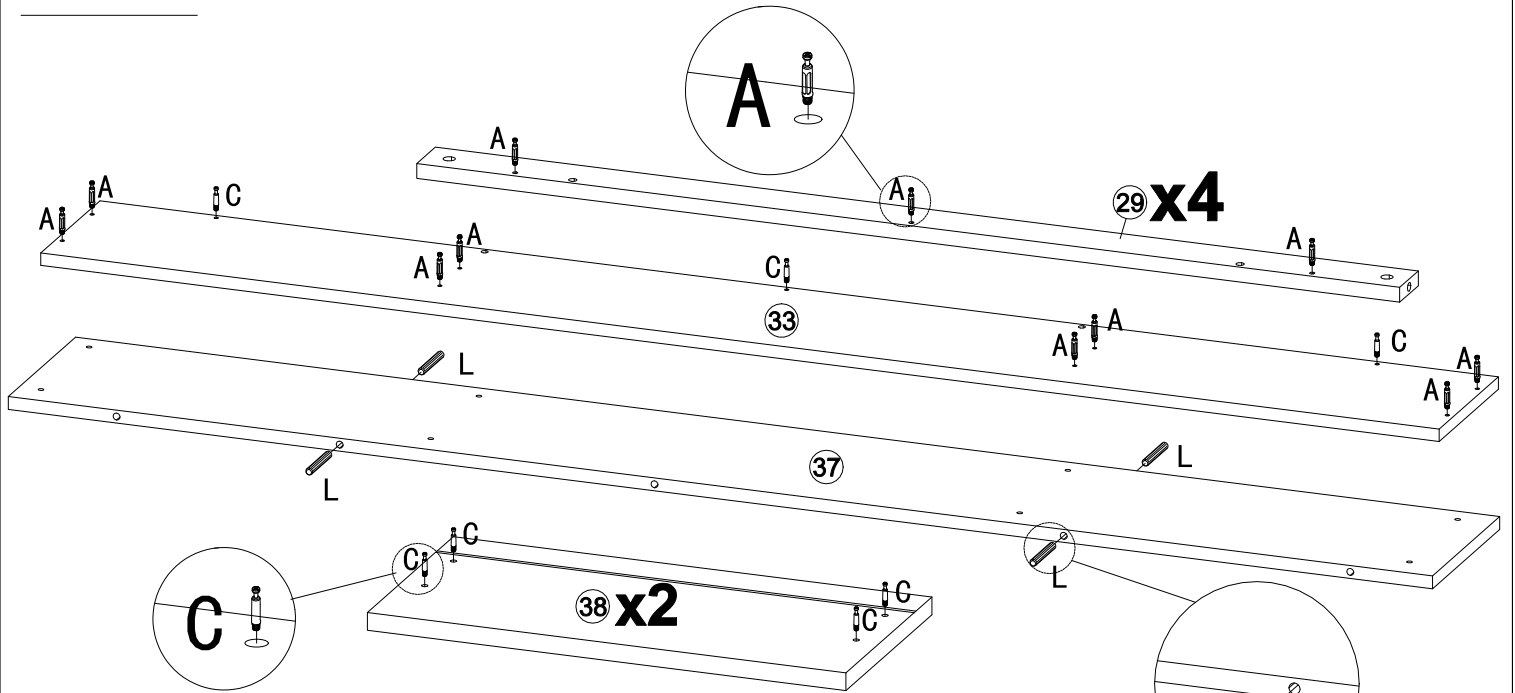
STEP 3



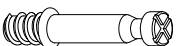


STEP 4

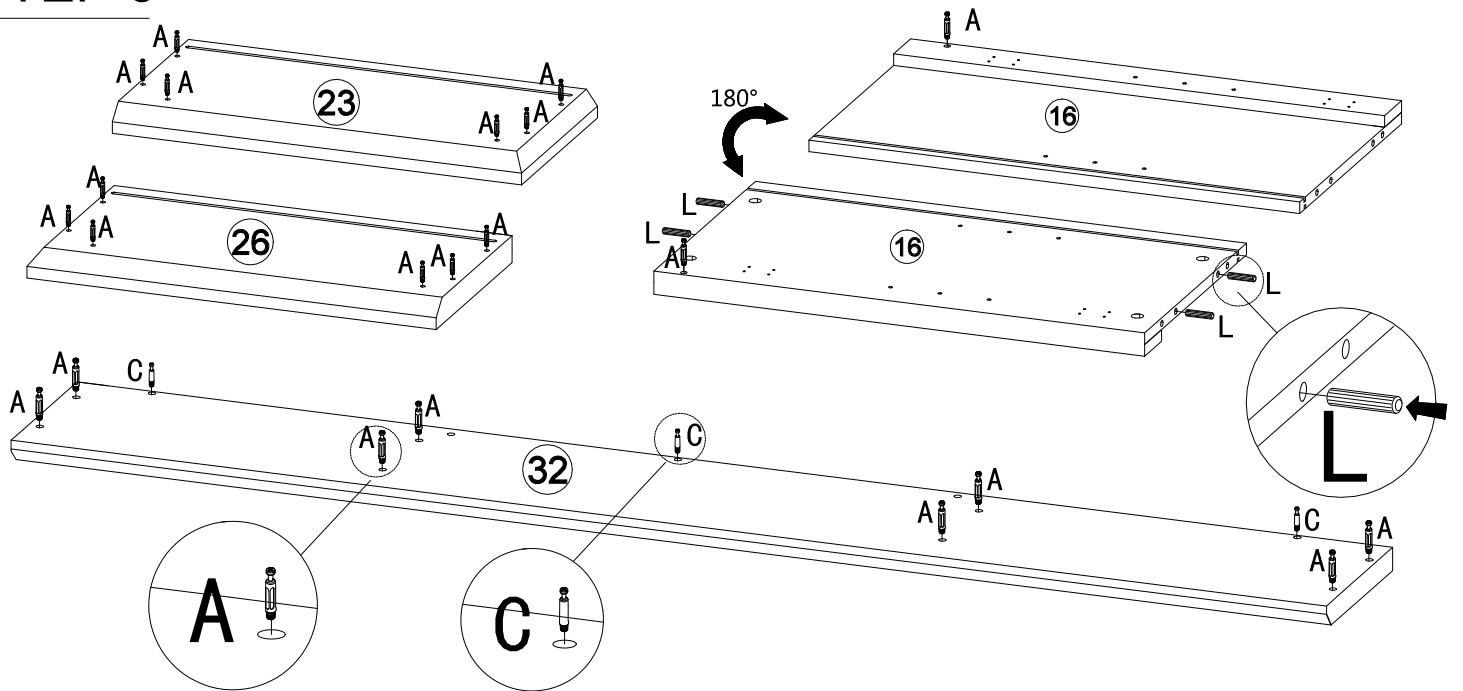



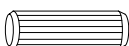
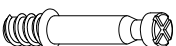
STEP 5



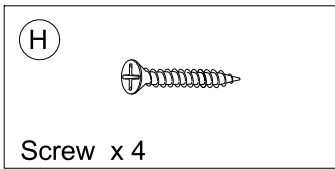
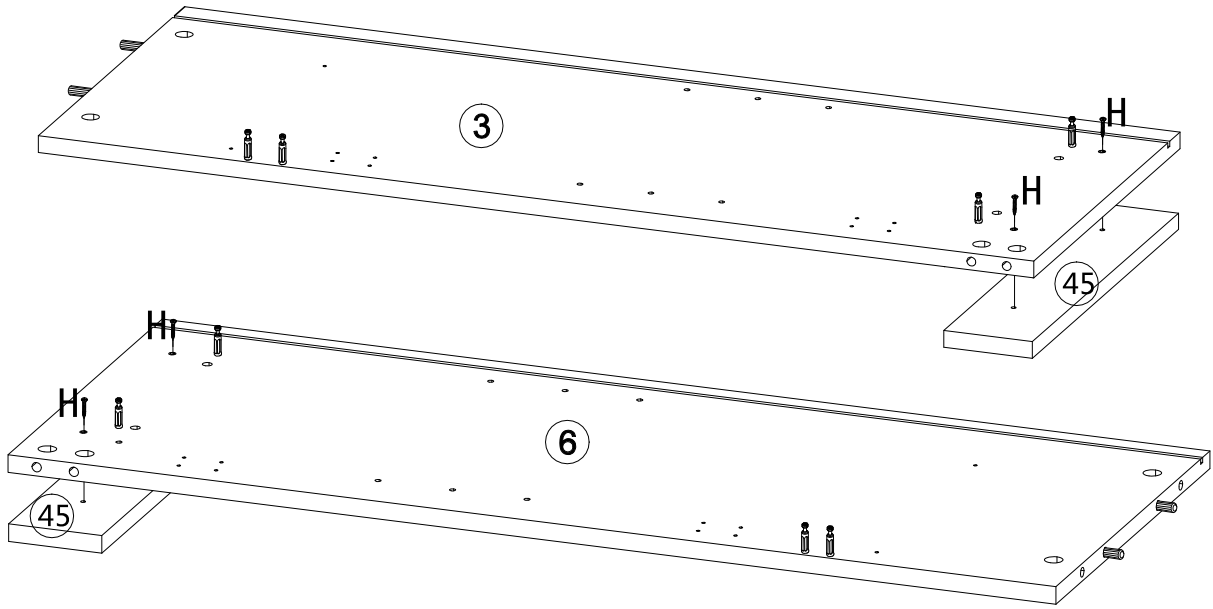
<p>(A) </p> <p>Cam bolt x20</p>	<p>(L) </p> <p>Dowel x4</p>	<p>(C) </p> <p>Cam bolt x11</p>
---	---	---

STEP 6

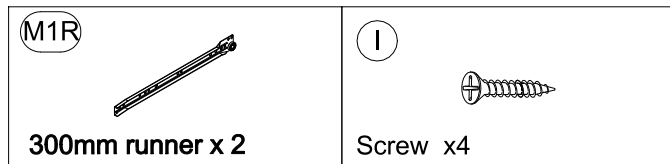
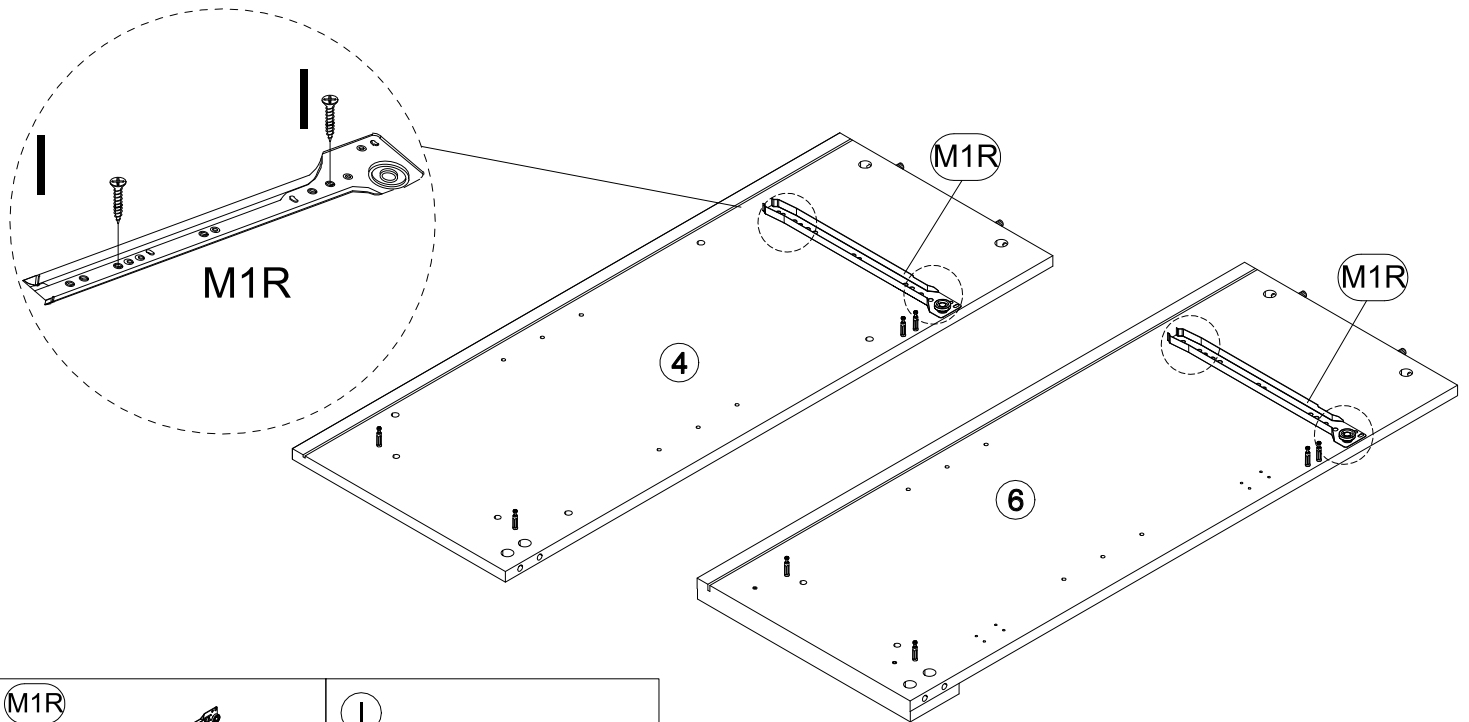


<p>(A) </p> <p>Cam bolt x22</p>	<p>(L) </p> <p>Dowel x4</p>	<p>(C) </p> <p>Cam bolt x3</p>
--	--	---

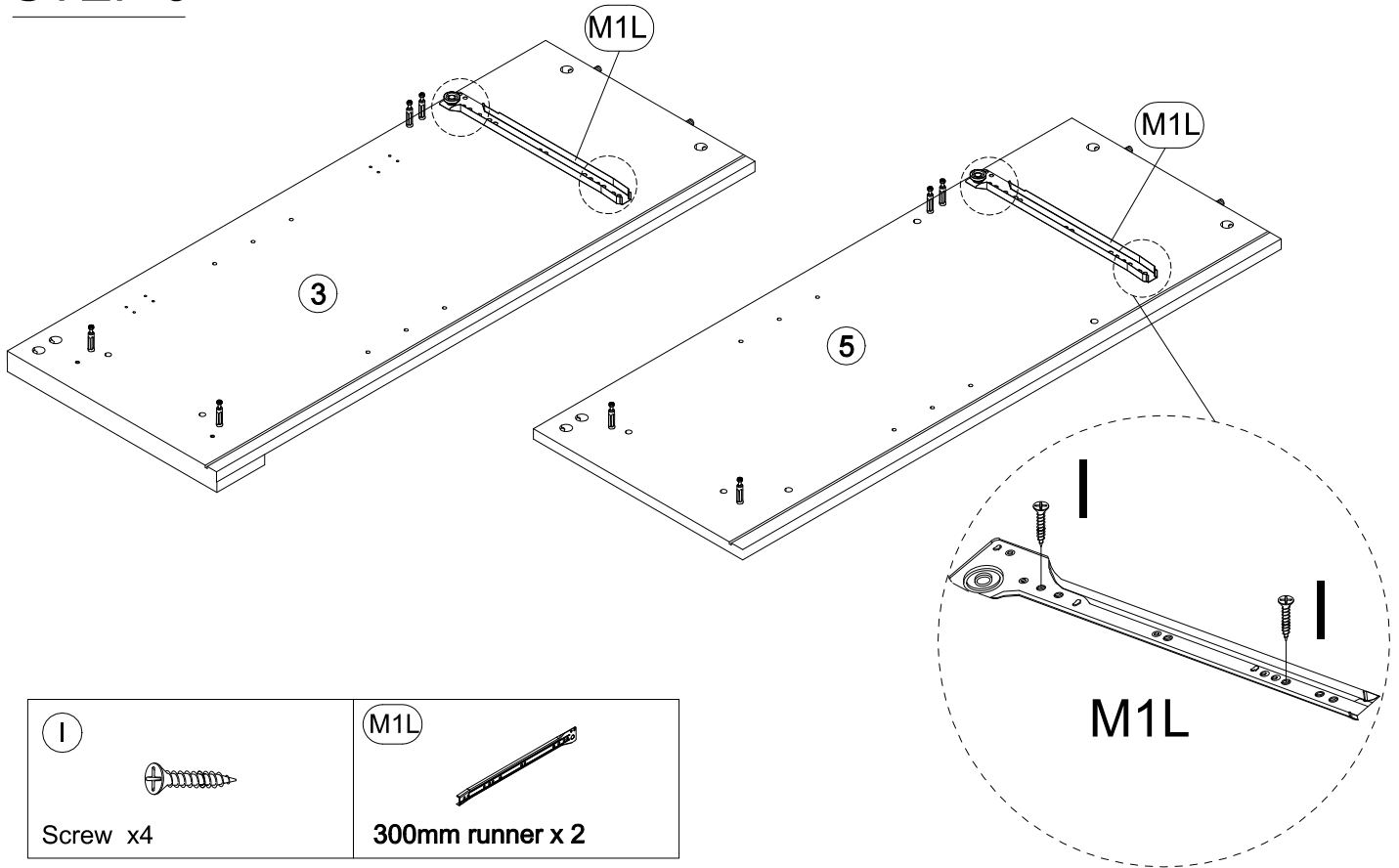
STEP 7



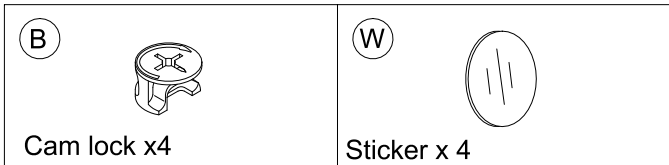
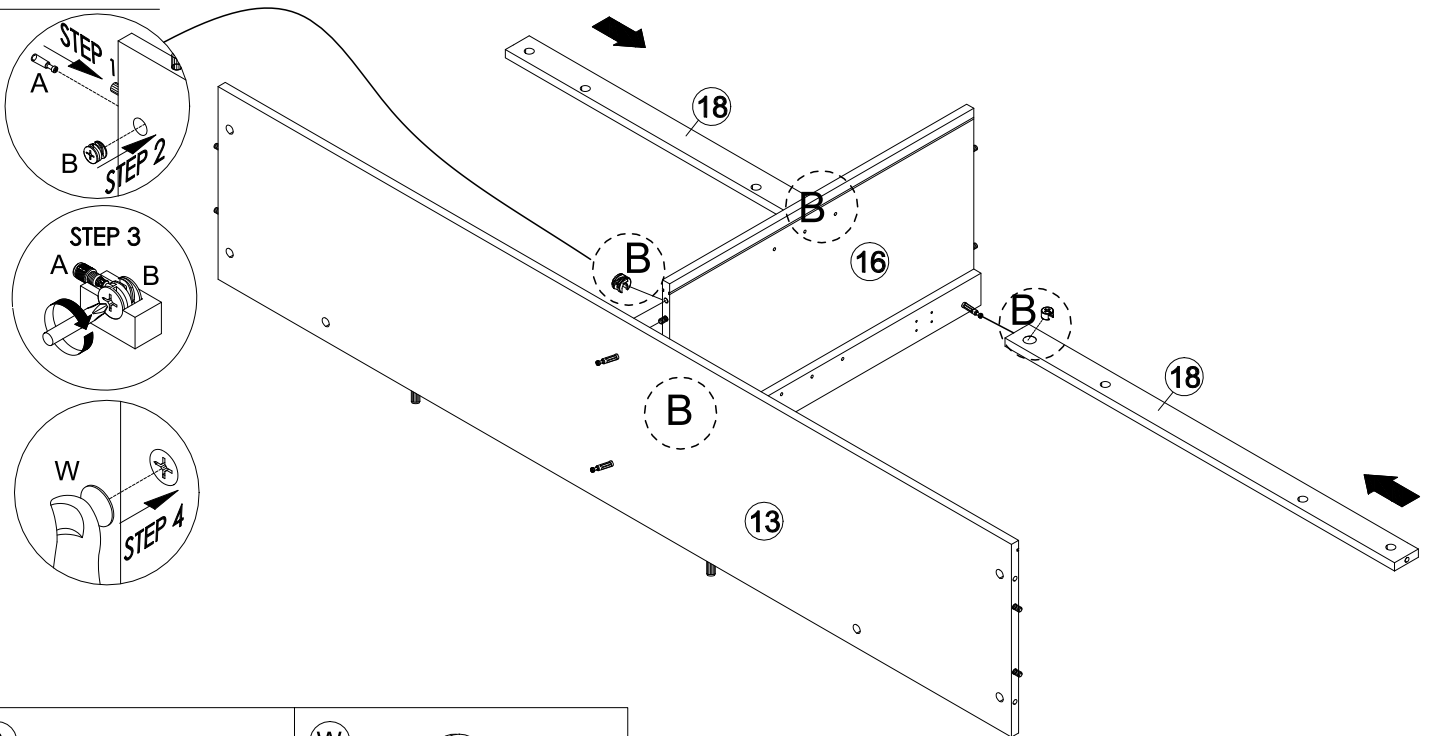
STEP 8



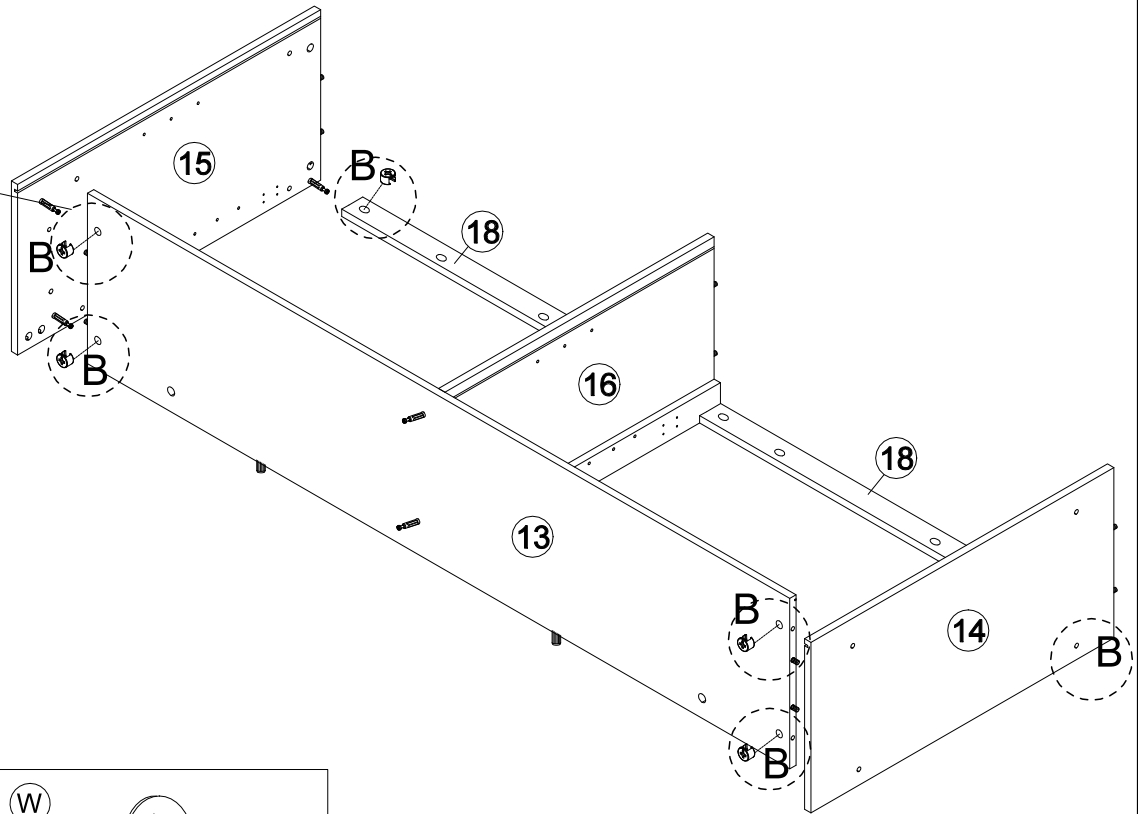
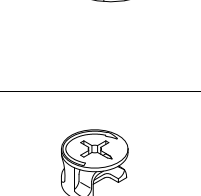
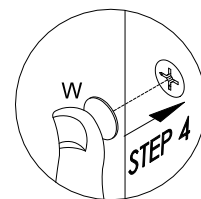
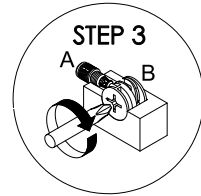
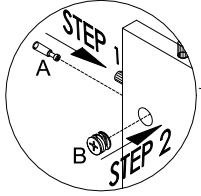
STEP 9



STEP 10

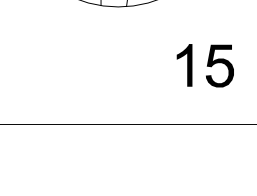
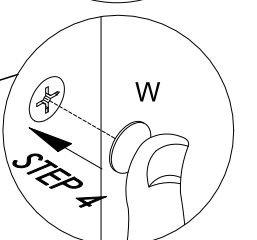
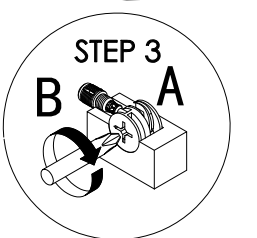
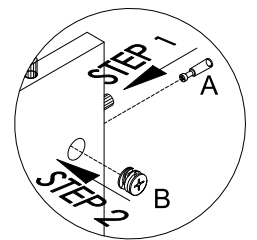
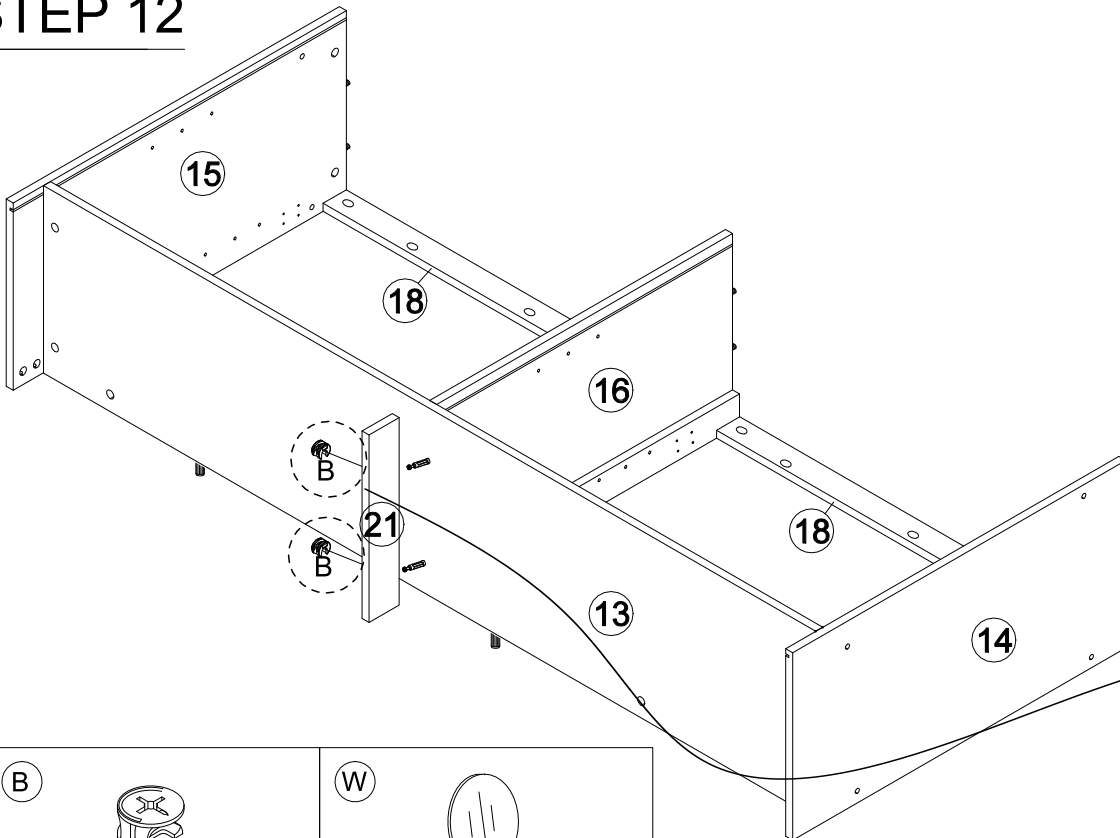


STEP 11



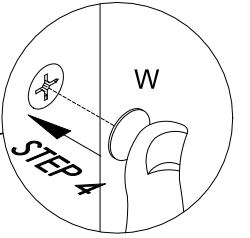
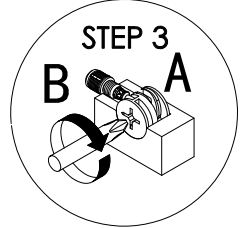
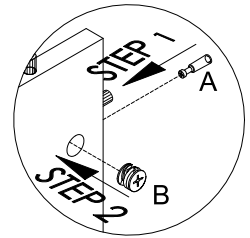
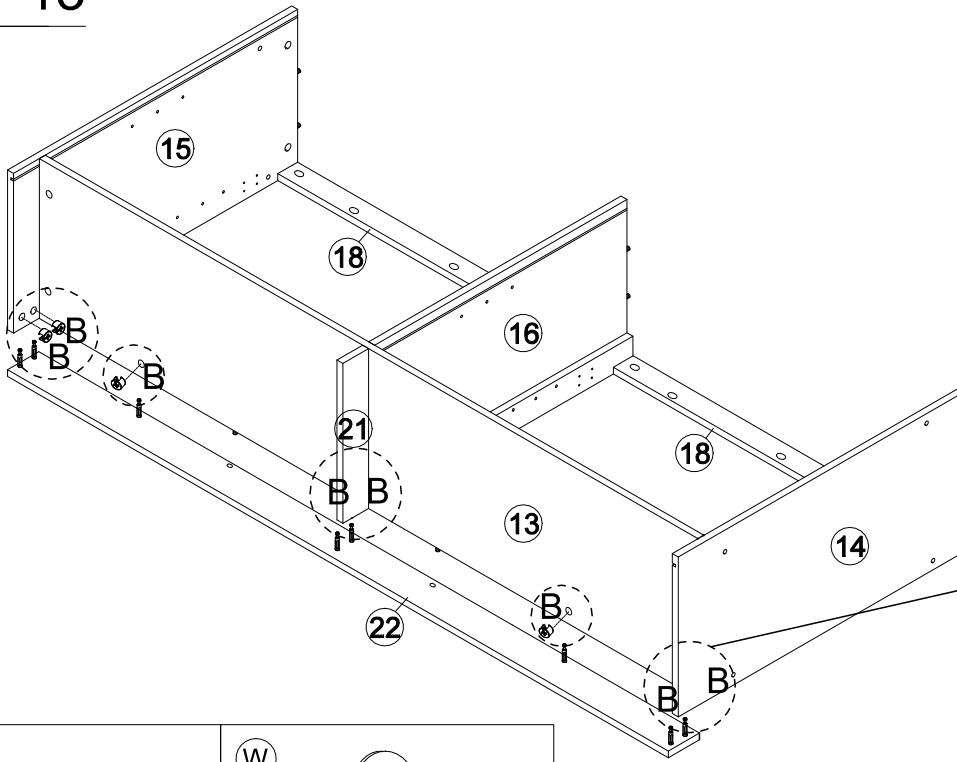
 Cam lock x6	 Sticker x 6
-----------------	-----------------

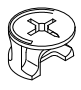

STEP 12



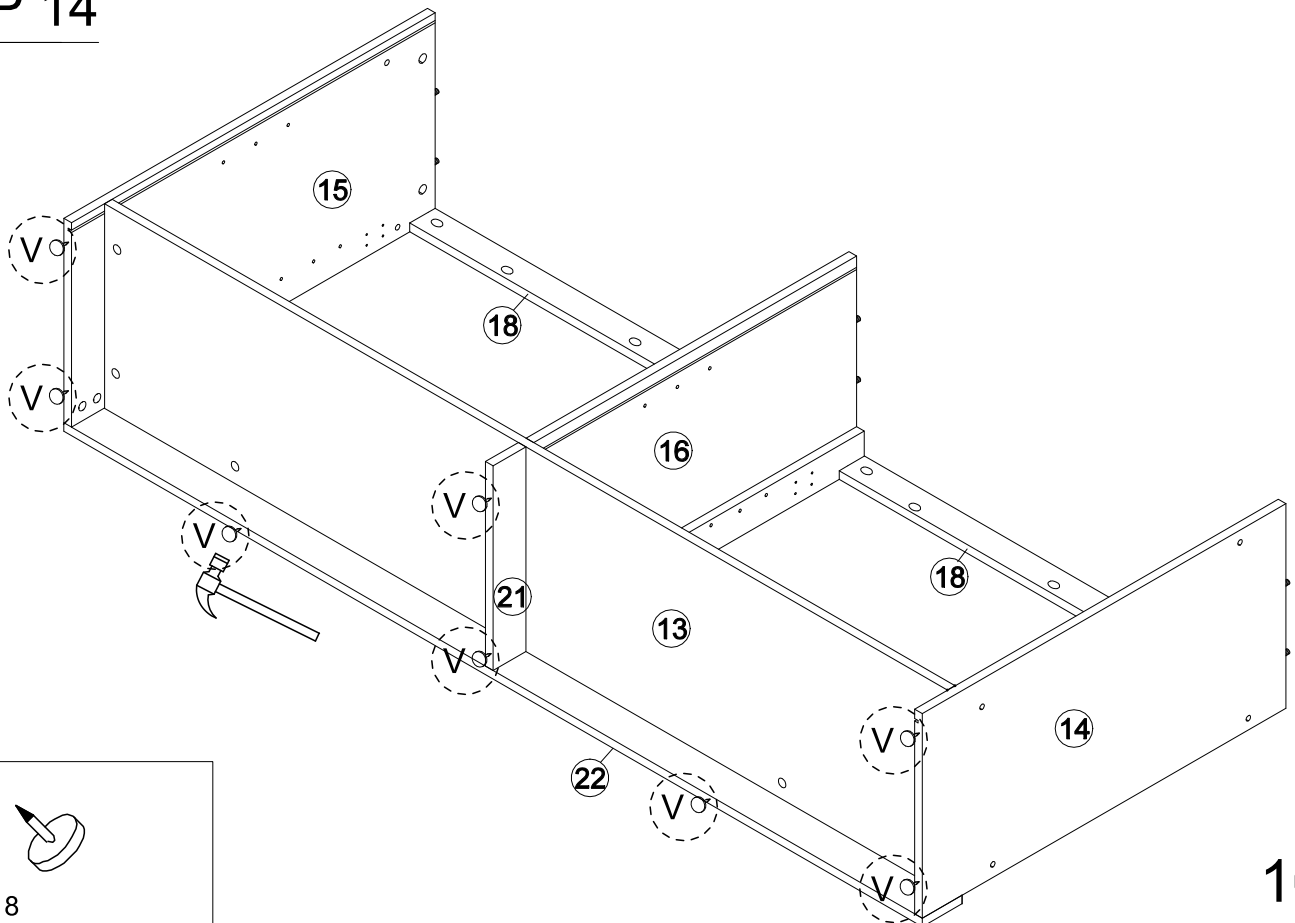
 Cam lock x2	 Sticker x2
-----------------	----------------


STEP 13



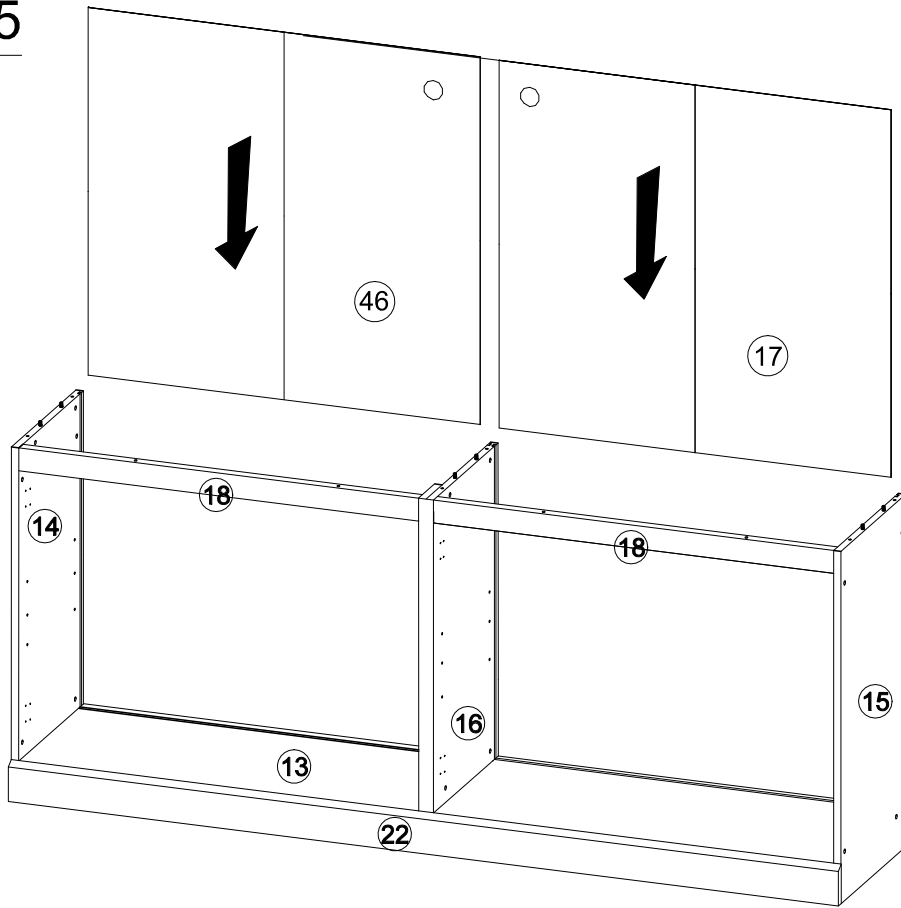
B  Cam lock x8	W  Sticker x 8
---	---

STEP 14

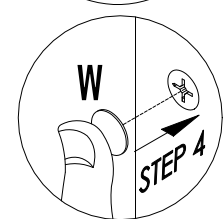
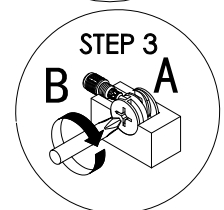
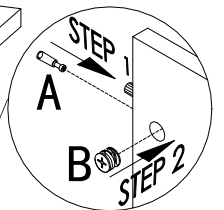
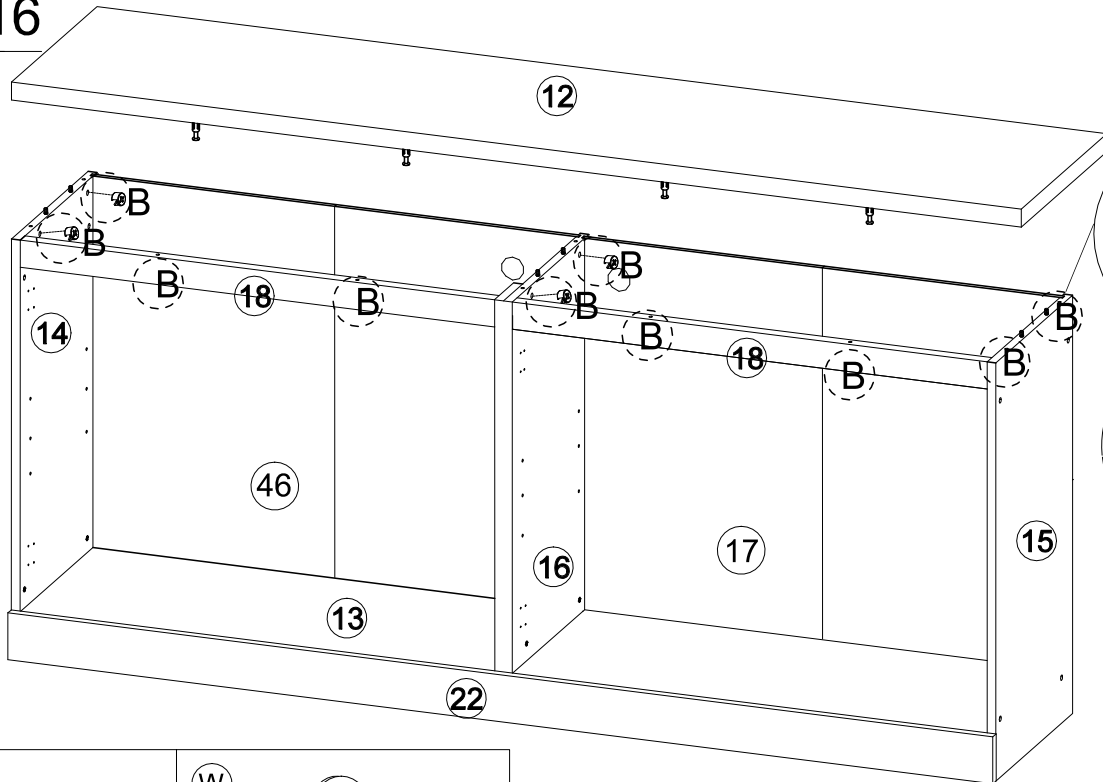




V  Nail leg x 8

STEP 15

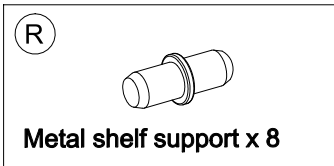
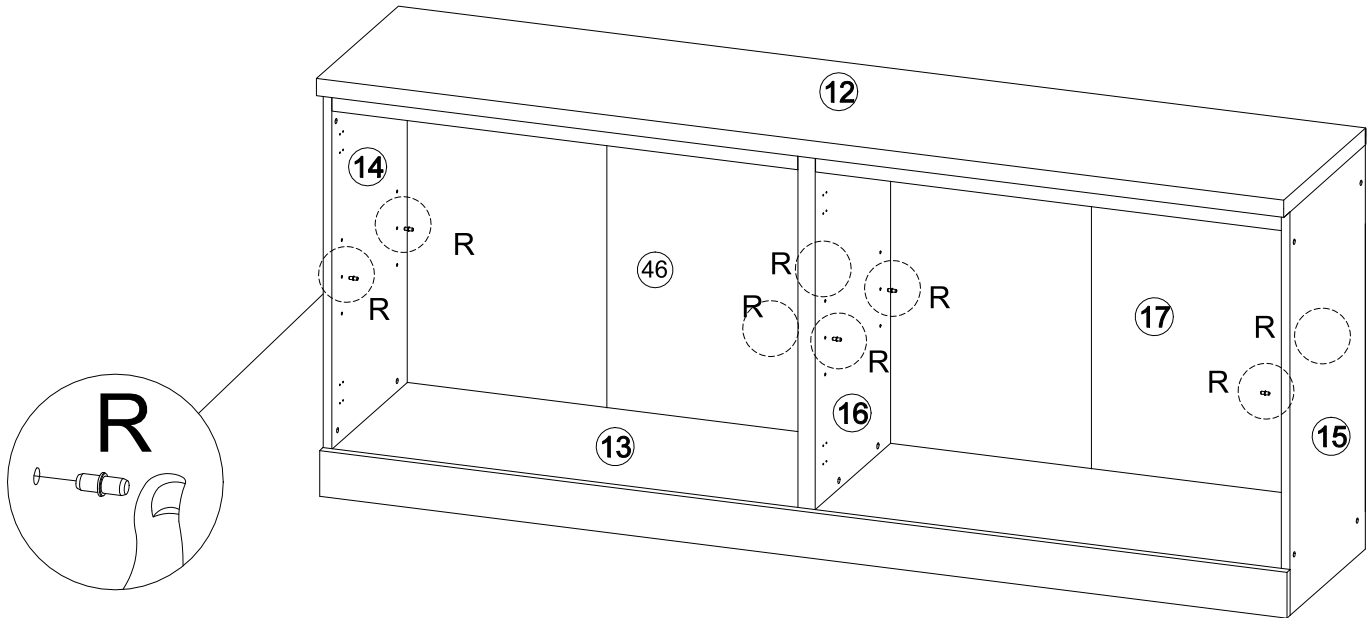


STEP 16

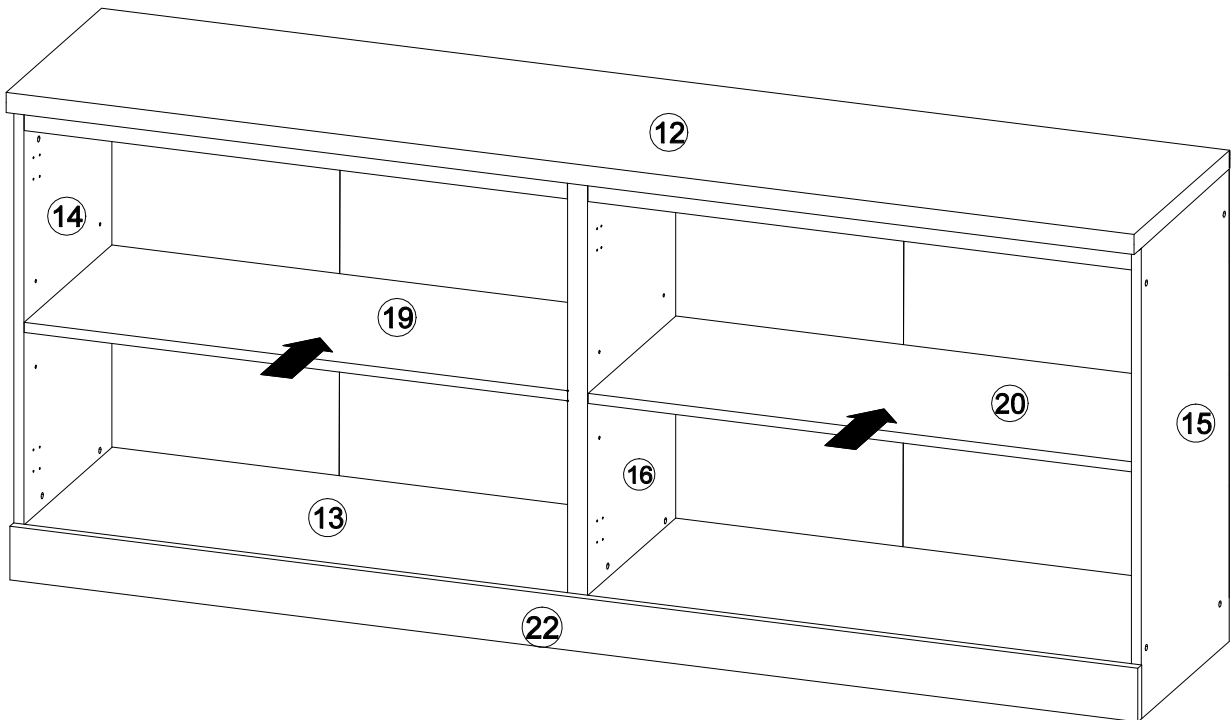


<p>(B)</p>  <p>Cam lock x10</p>	<p>(W)</p>  <p>Sticker x 10</p>
--	--

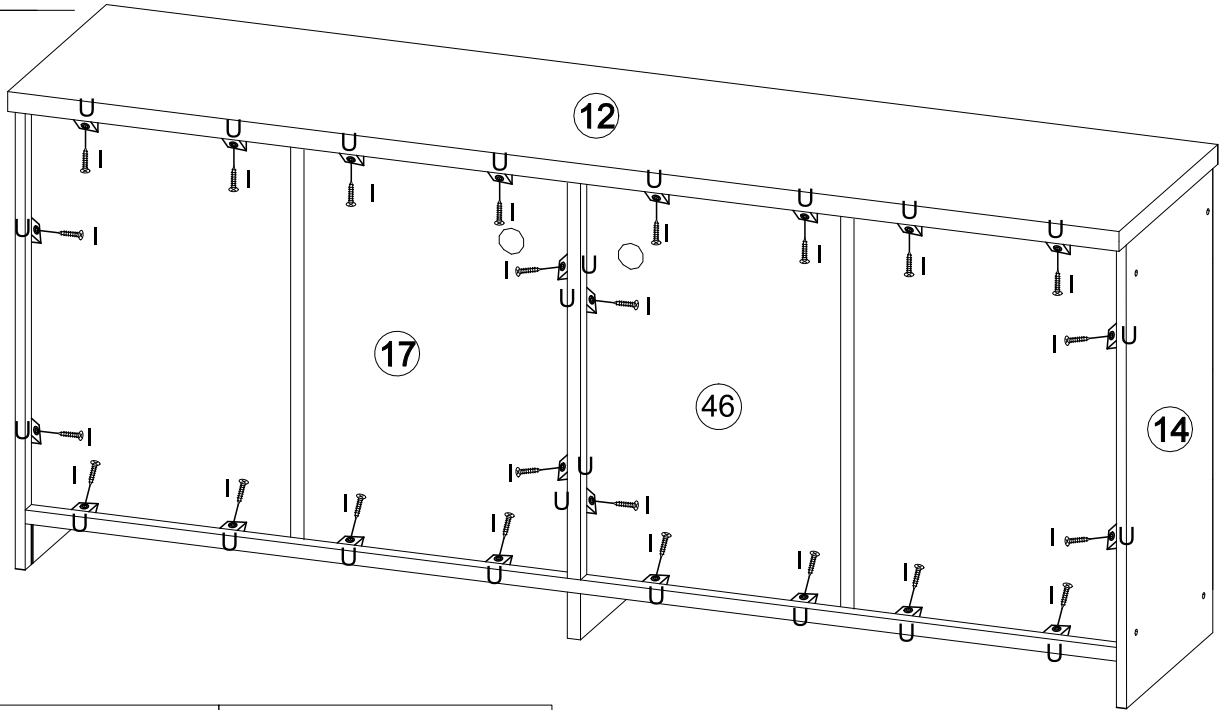
STEP 17





STEP 18

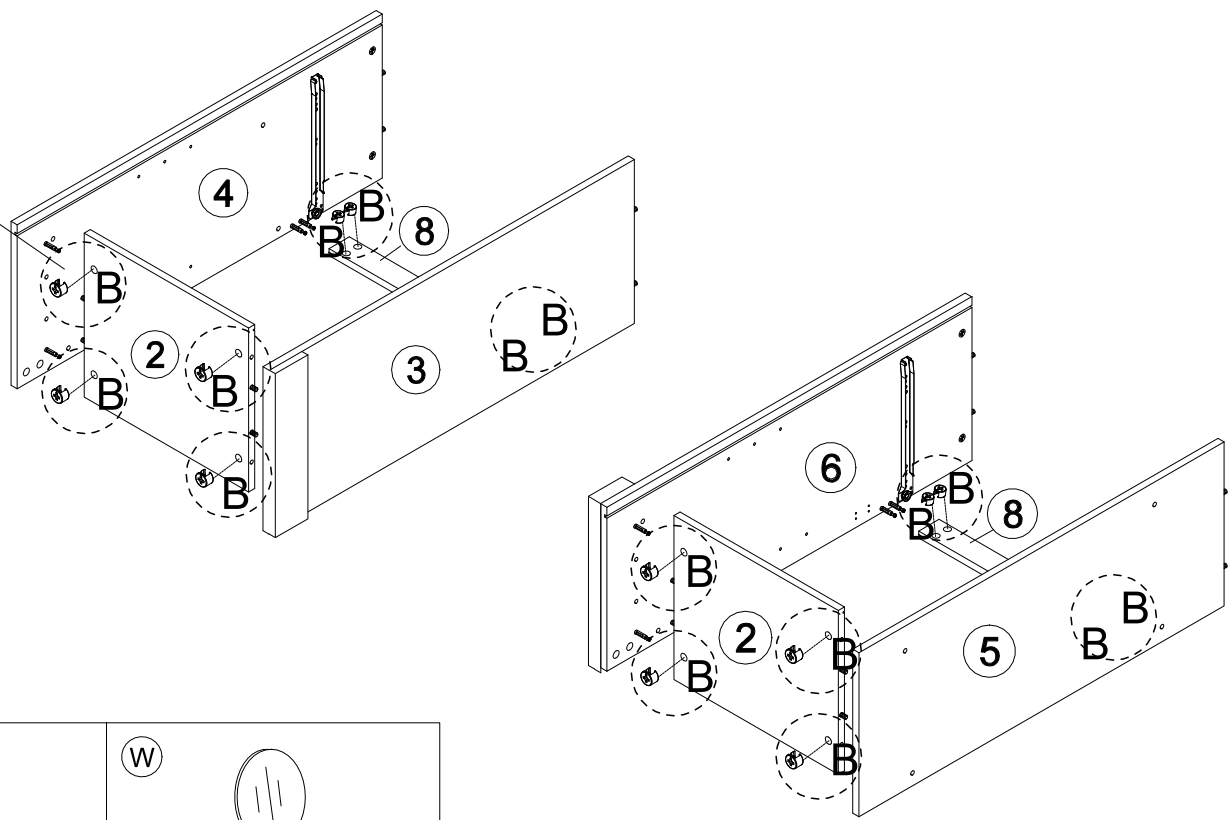
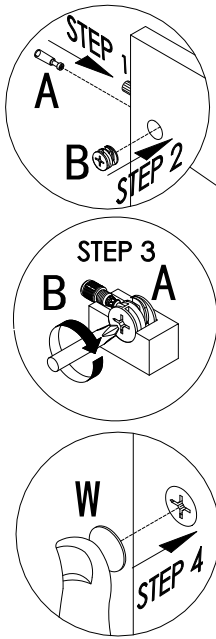




STEP 19



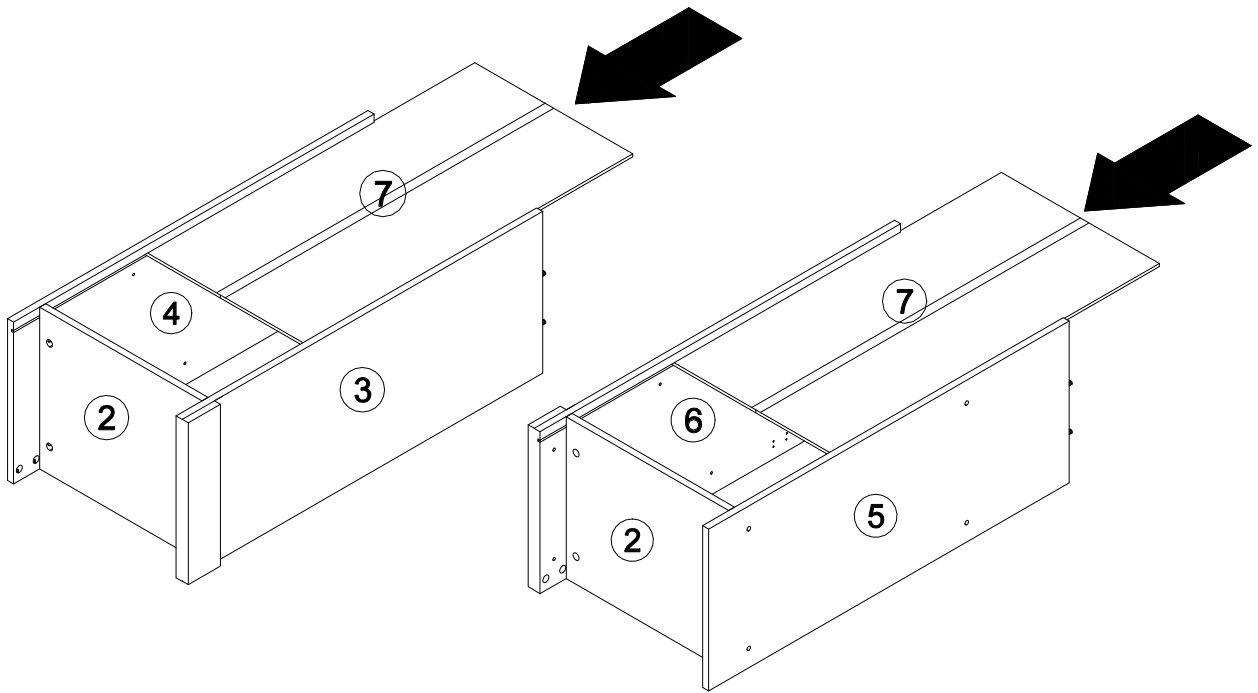
<p>(U) </p> <p>Back panel clasp x 24</p>	<p>(I) </p> <p>Screw x24</p>
--	--

STEP 20

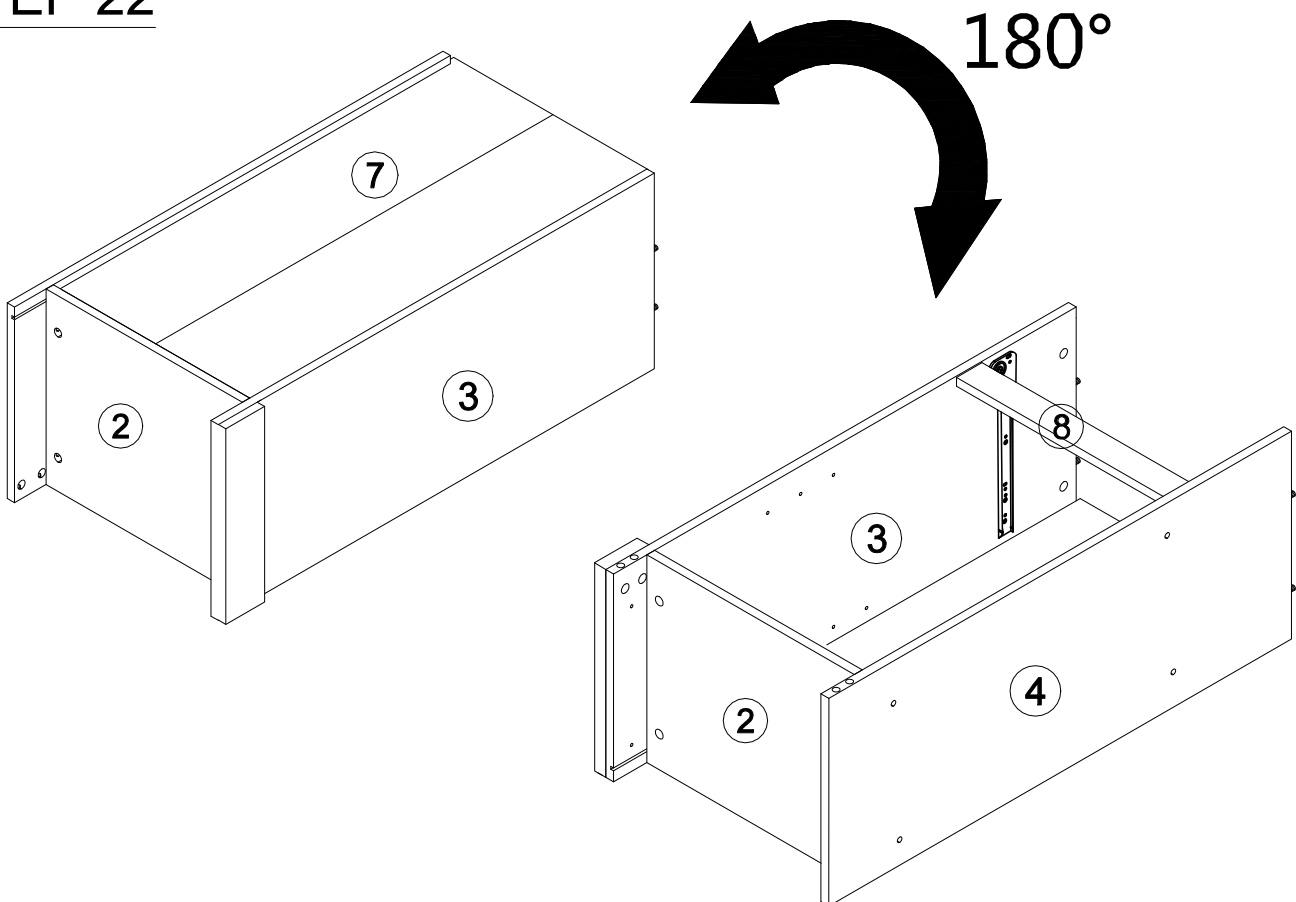


<p>(B) </p> <p>Cam lock x16</p>	<p>(W) </p> <p>Sticker x16</p>
--	---

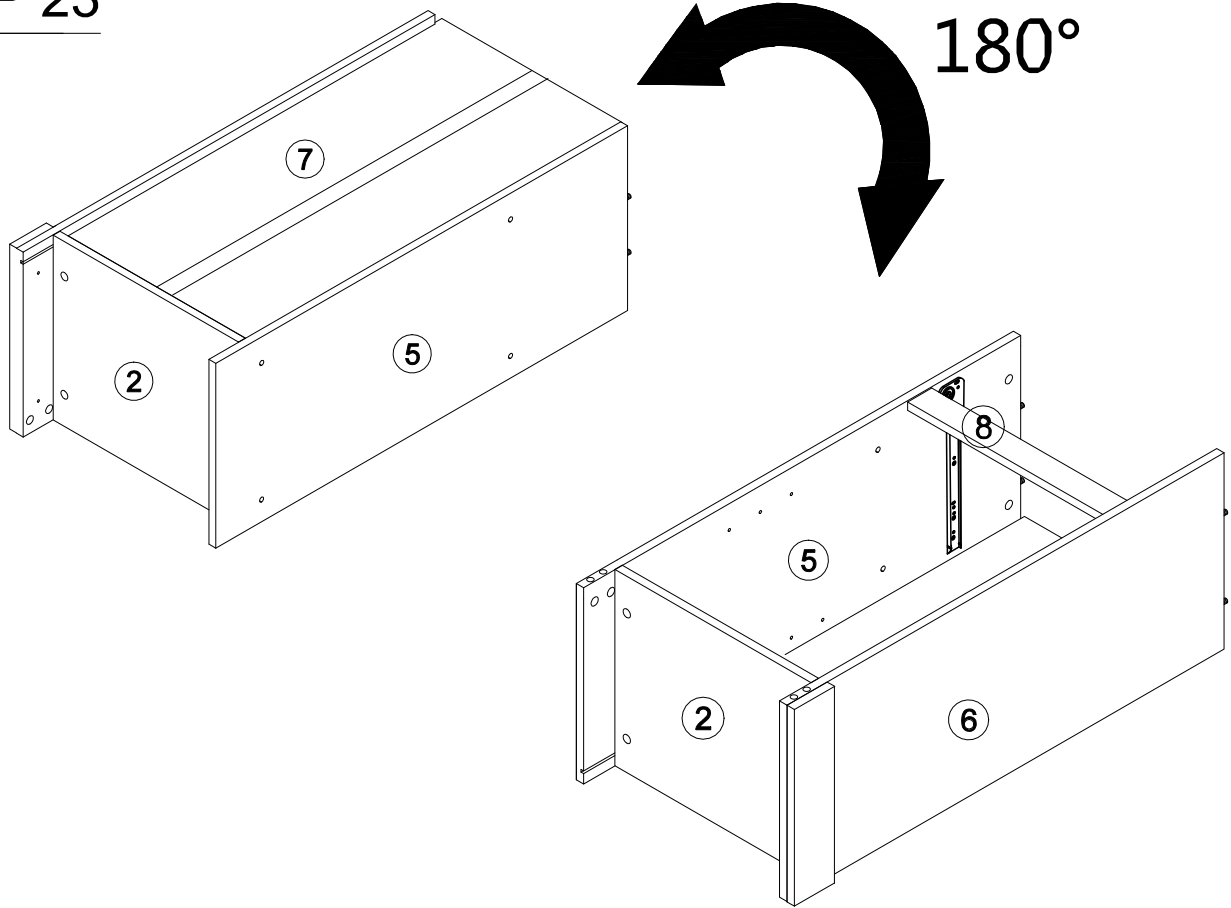
STEP 21



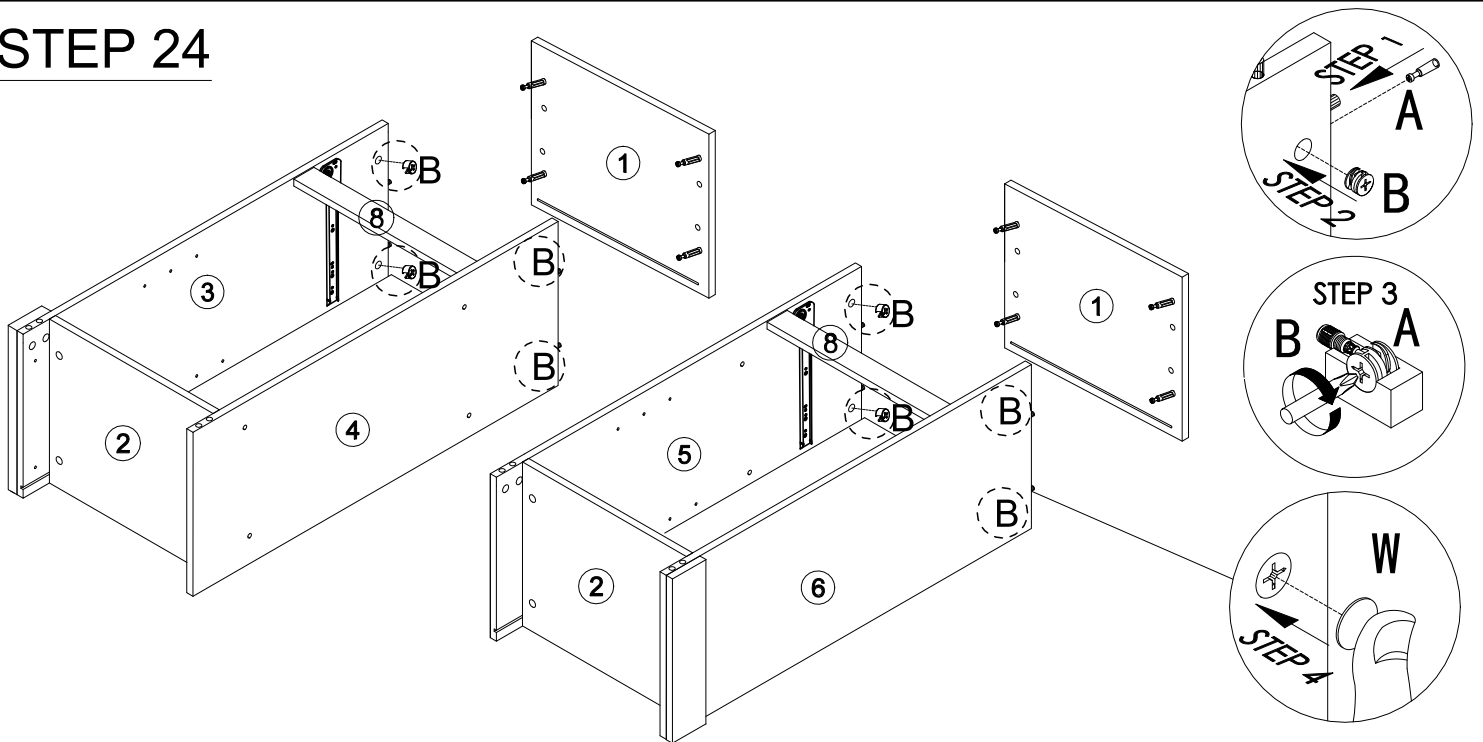
STEP 22





STEP 23

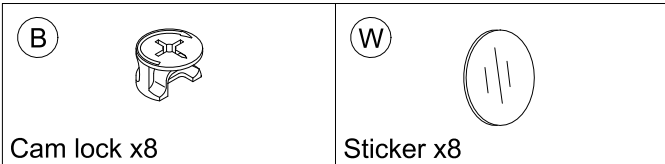
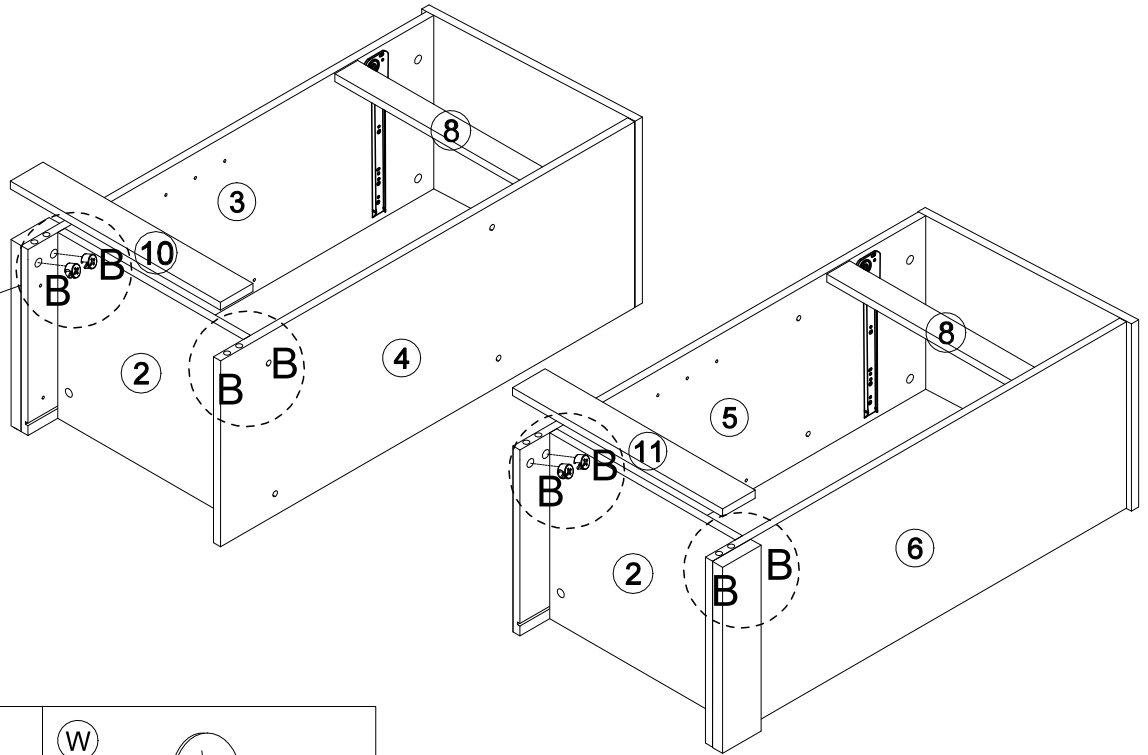
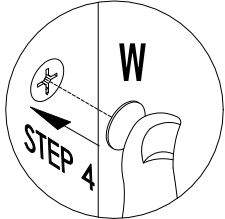
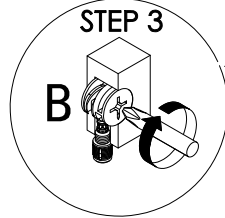
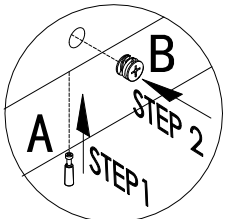


STEP 24

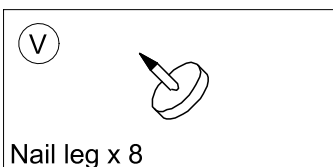
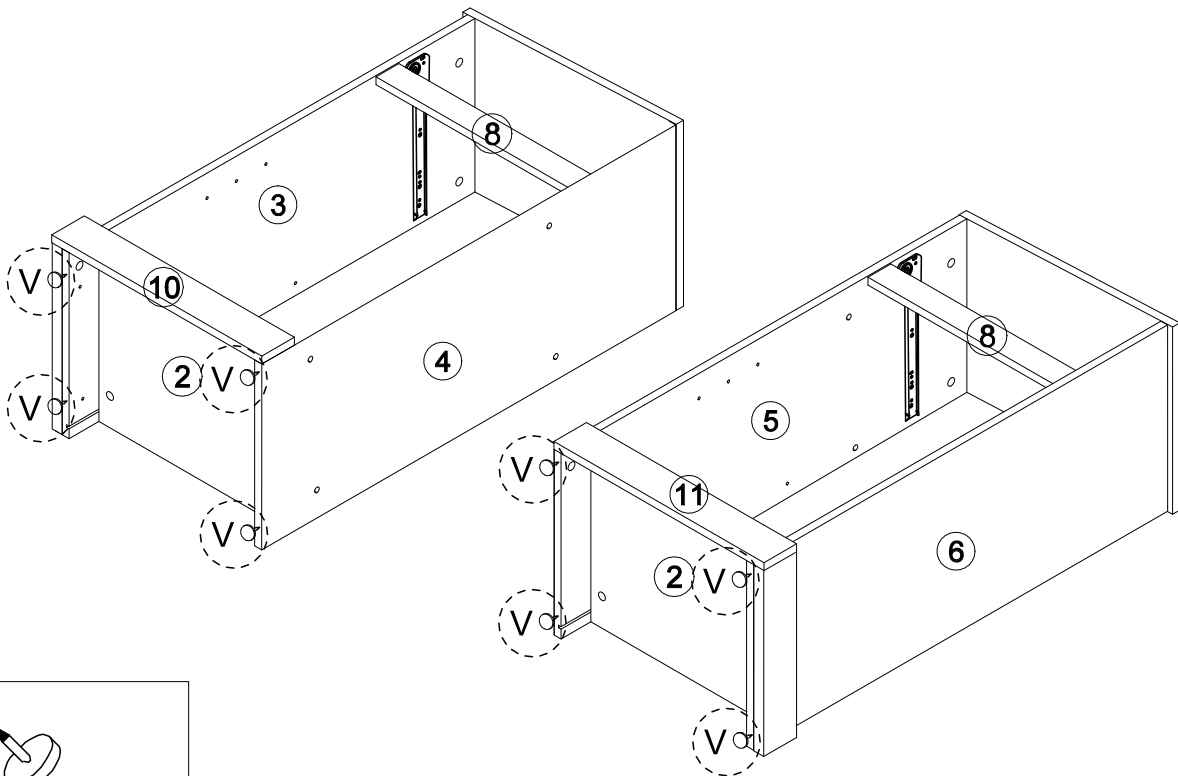


 Cam lock x8	 Sticker x8
--	---

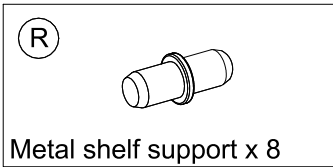
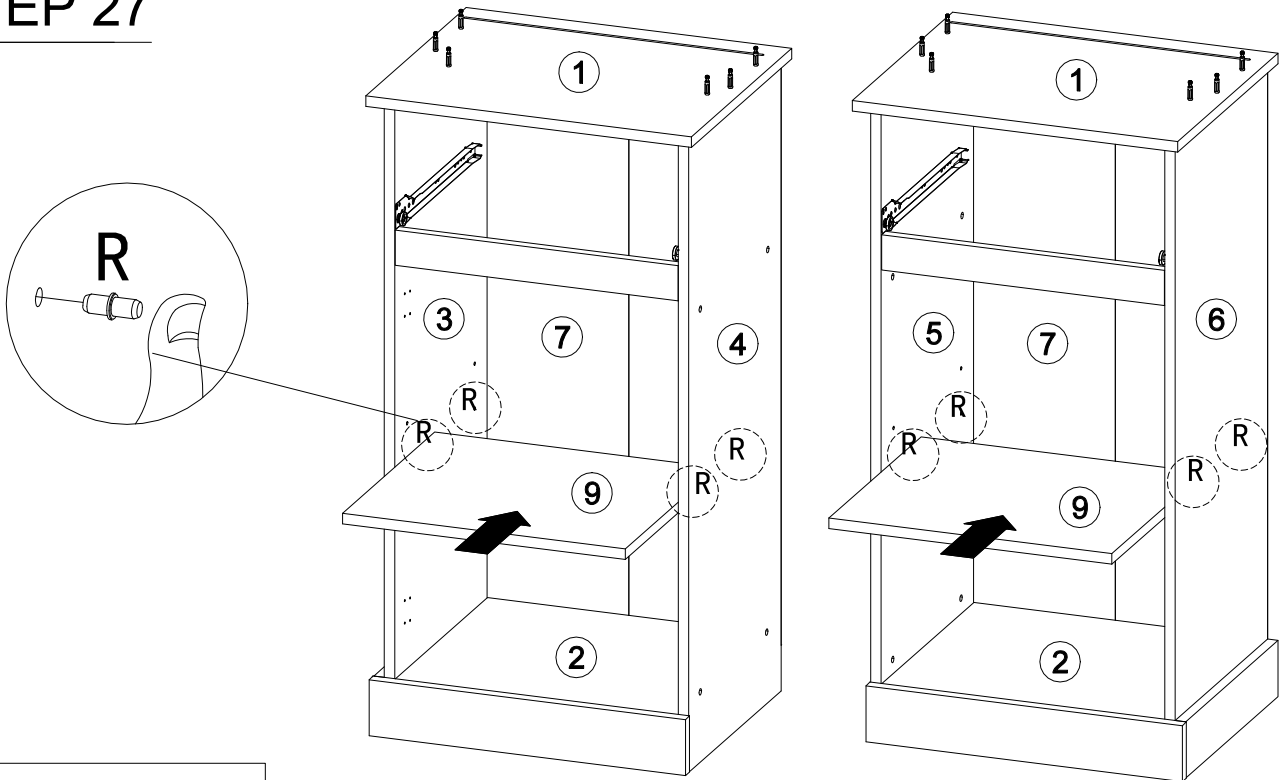
STEP 25



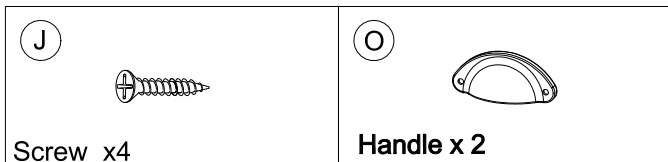
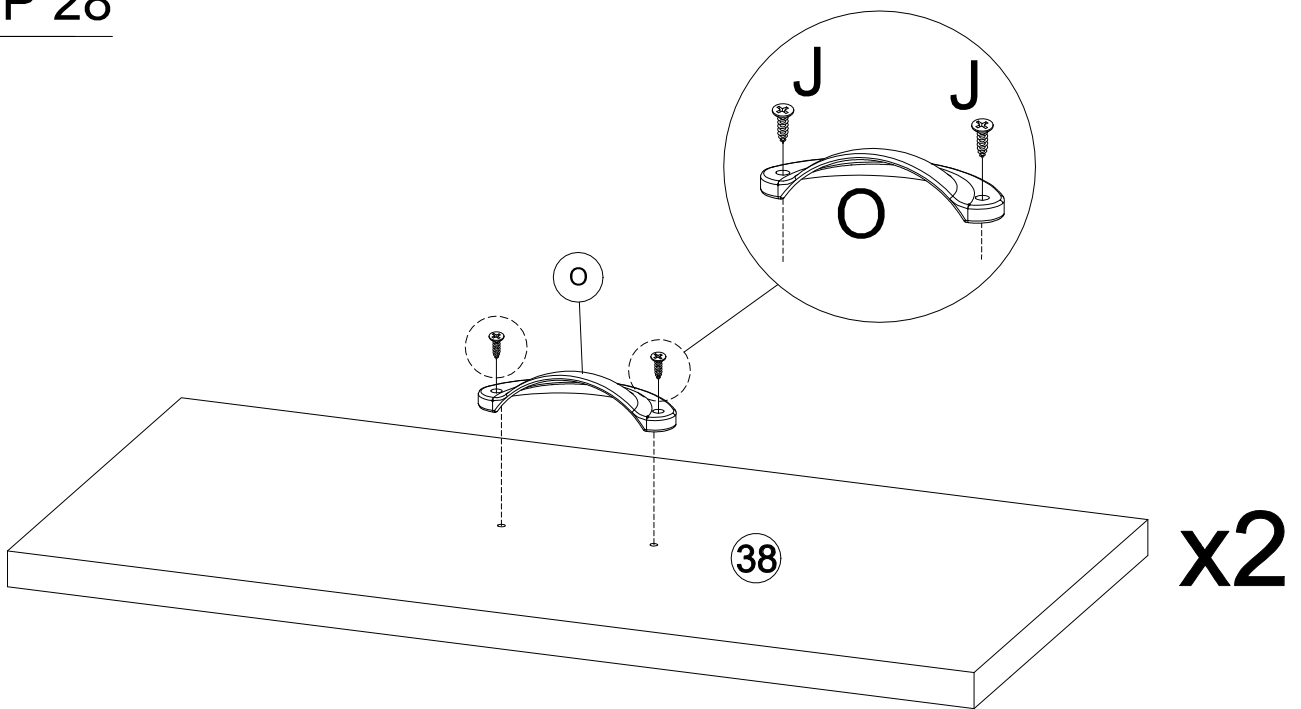
STEP 26



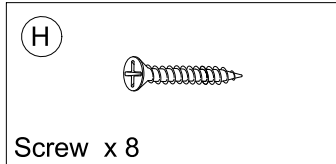
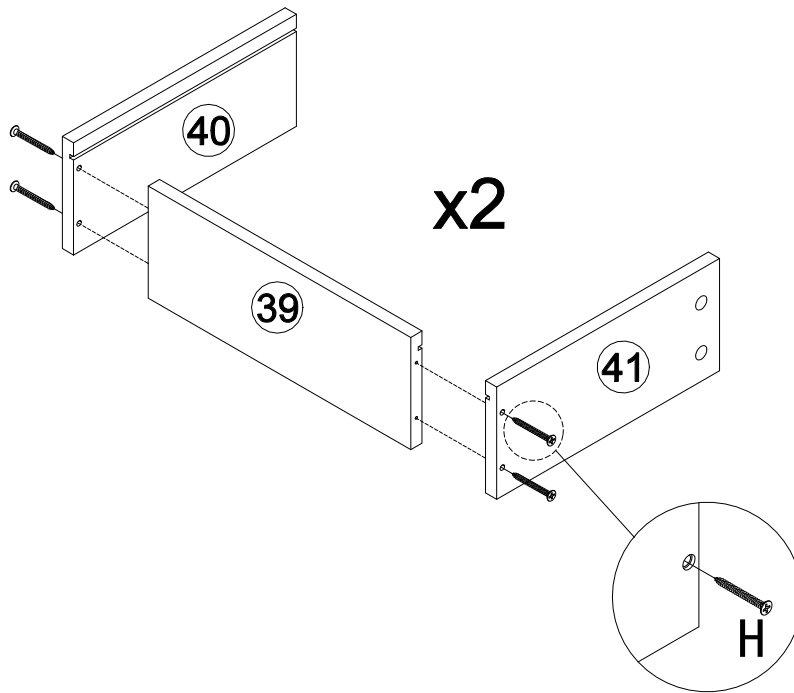
STEP 27



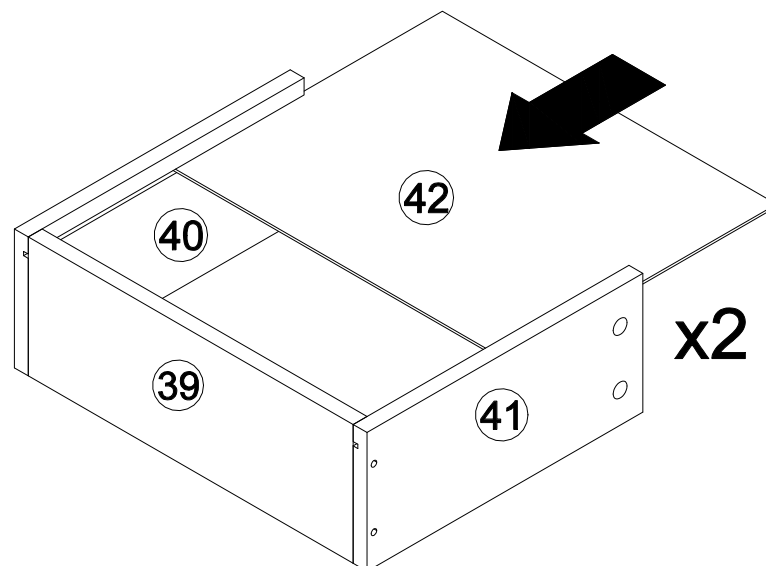
STEP 28



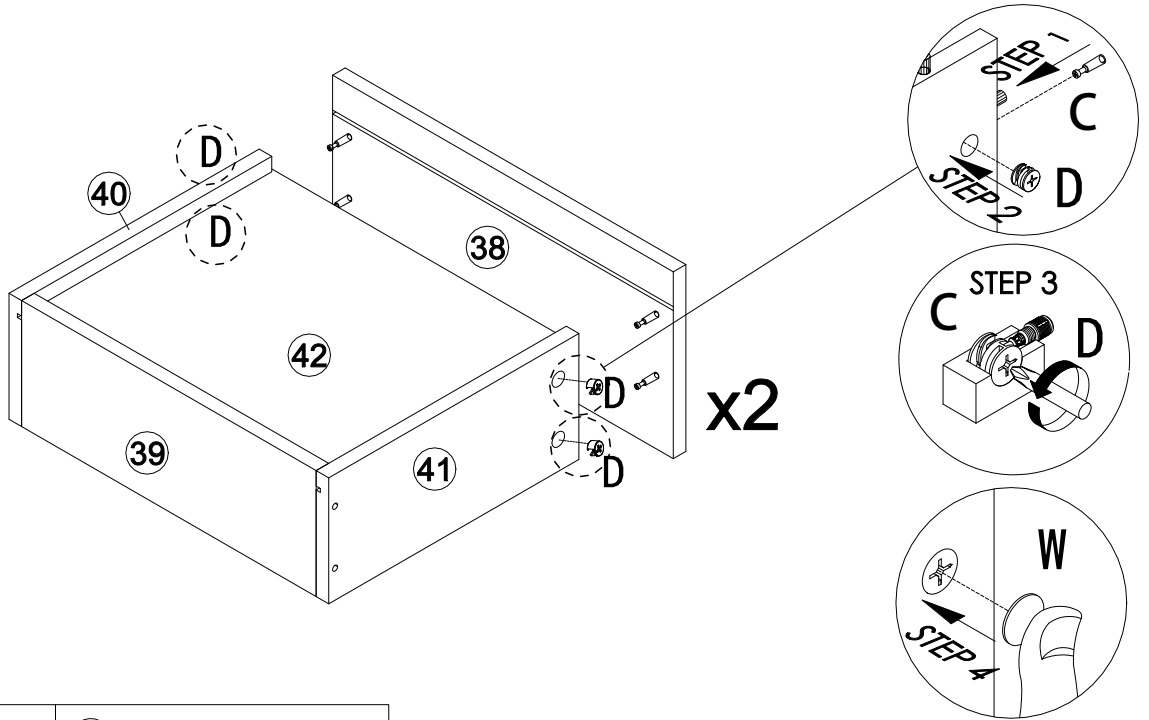
STEP 29





STEP 30

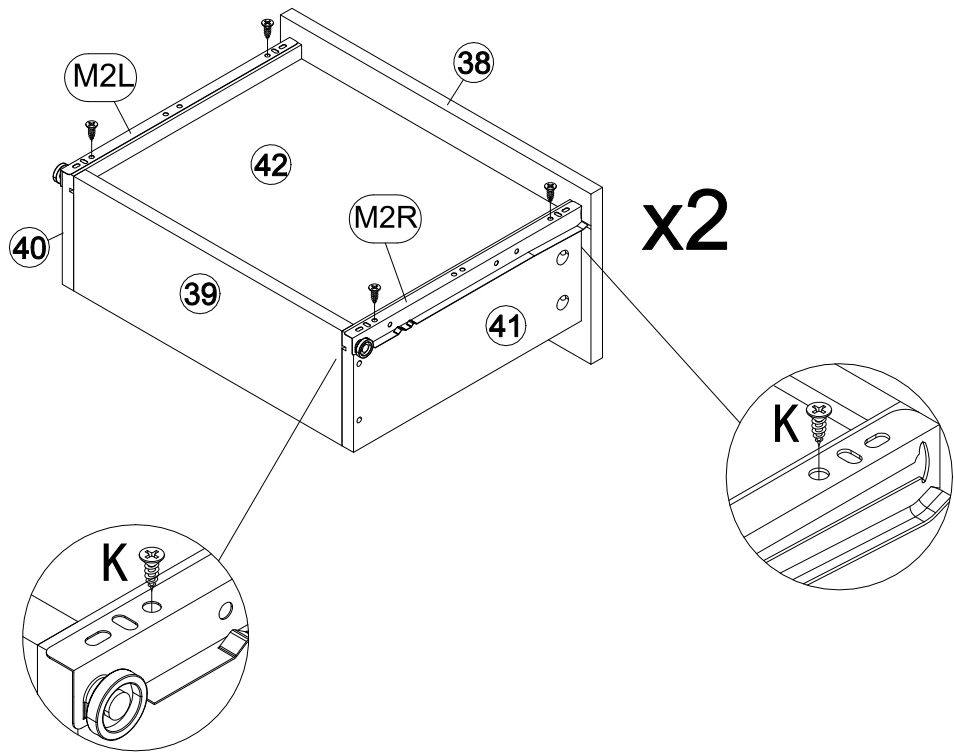


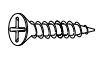
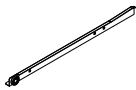
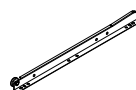
STEP 31



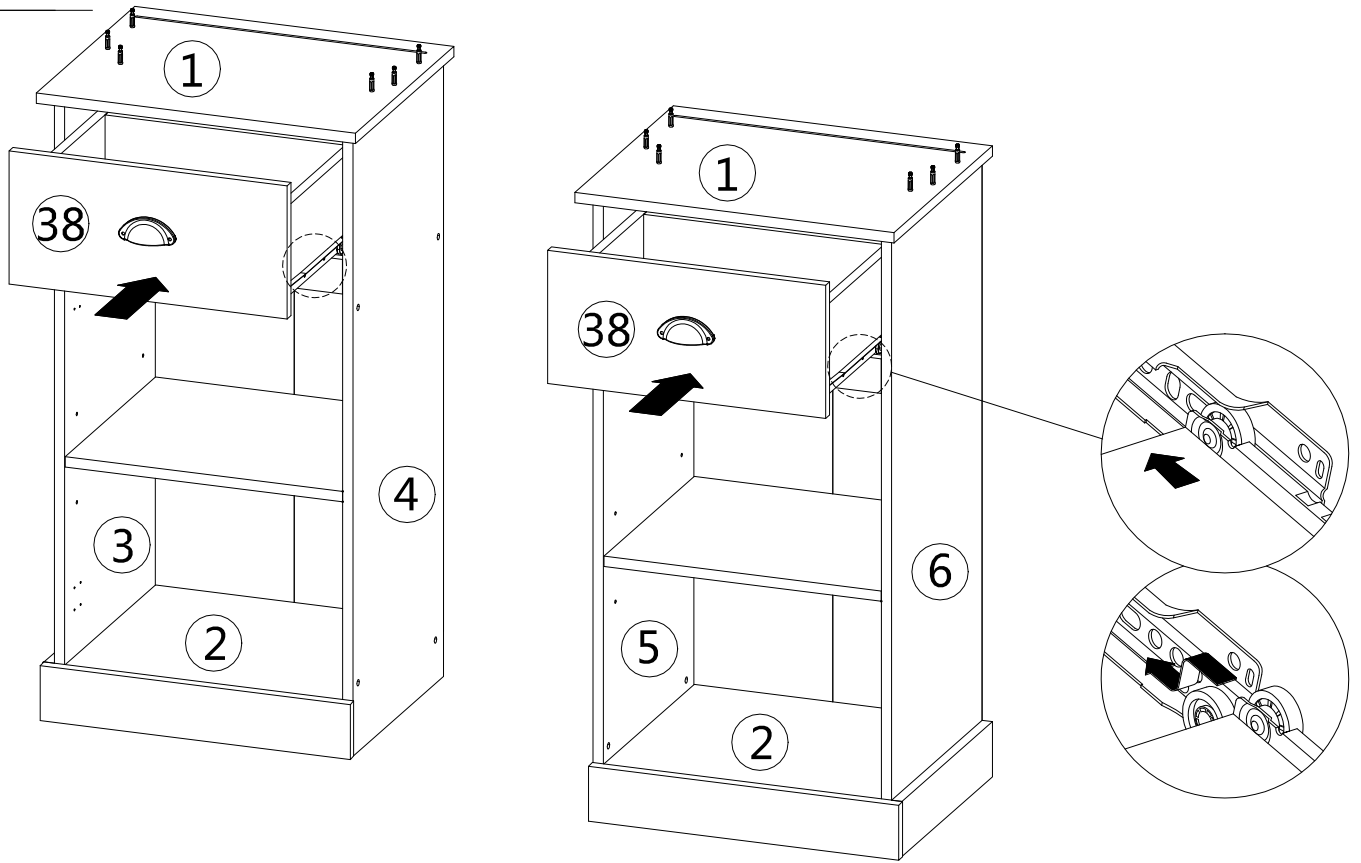
<p>(D)</p>  <p>Cam lock x8</p>	<p>(W)</p>  <p>Sticker x8</p>
--	---

STEP 32

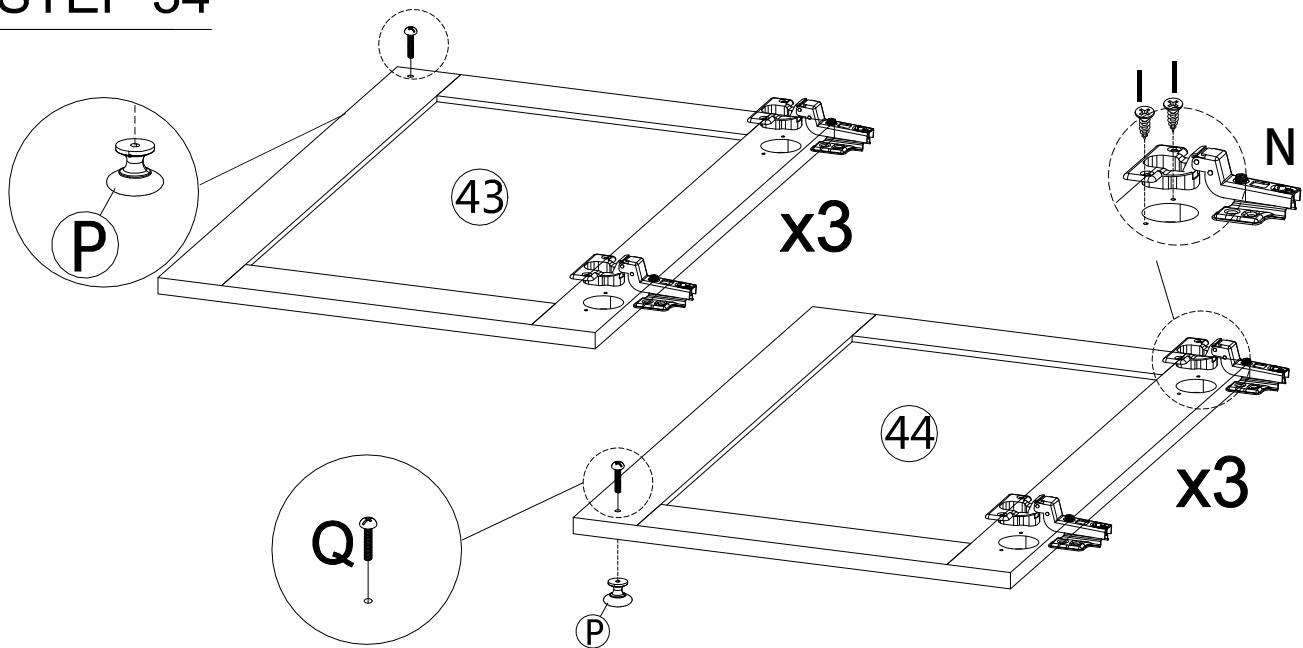


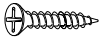
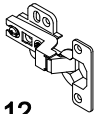


<p>(K)</p>  <p>Screw x8+1</p>	<p>(M2L)</p>  <p>300mm runner x2</p>	<p>(M2R)</p>  <p>300mm runner x2</p>
--	---	---

STEP 33

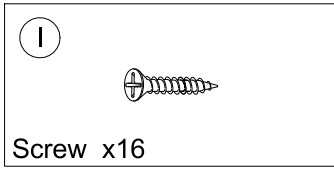
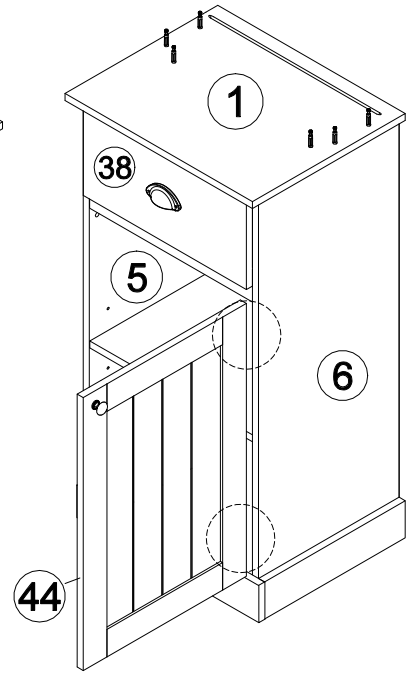
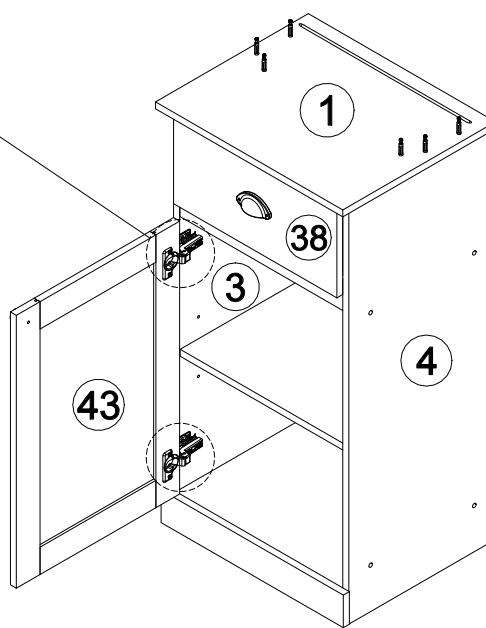
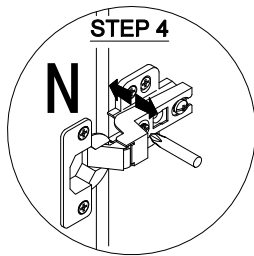
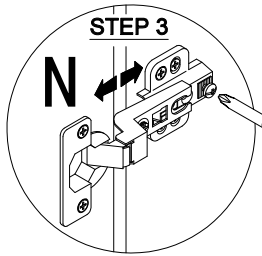
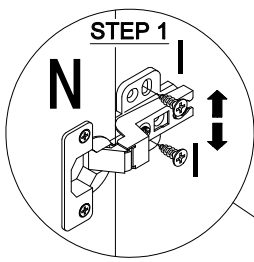
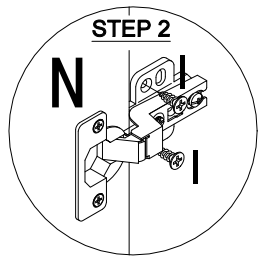


STEP 34



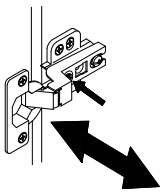
<p>I</p>  <p>Screw x24</p>	<p>N</p>  <p>Hinges x 12</p>	<p>Q</p>  <p>Screw x 6+6</p>	<p>P</p>  <p>Handle x 6</p>
---	---	---	--

STEP 35

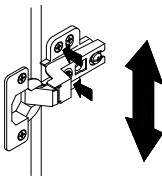


HINGE ADJUSTMENT GUIDE

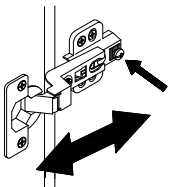
It may be necessary to adjust the hinges so that the doors align. Use the instructions below as a guide.



To adjust the door horizontal loosen the screw as shown by turning clockwise or anti-clockwise.

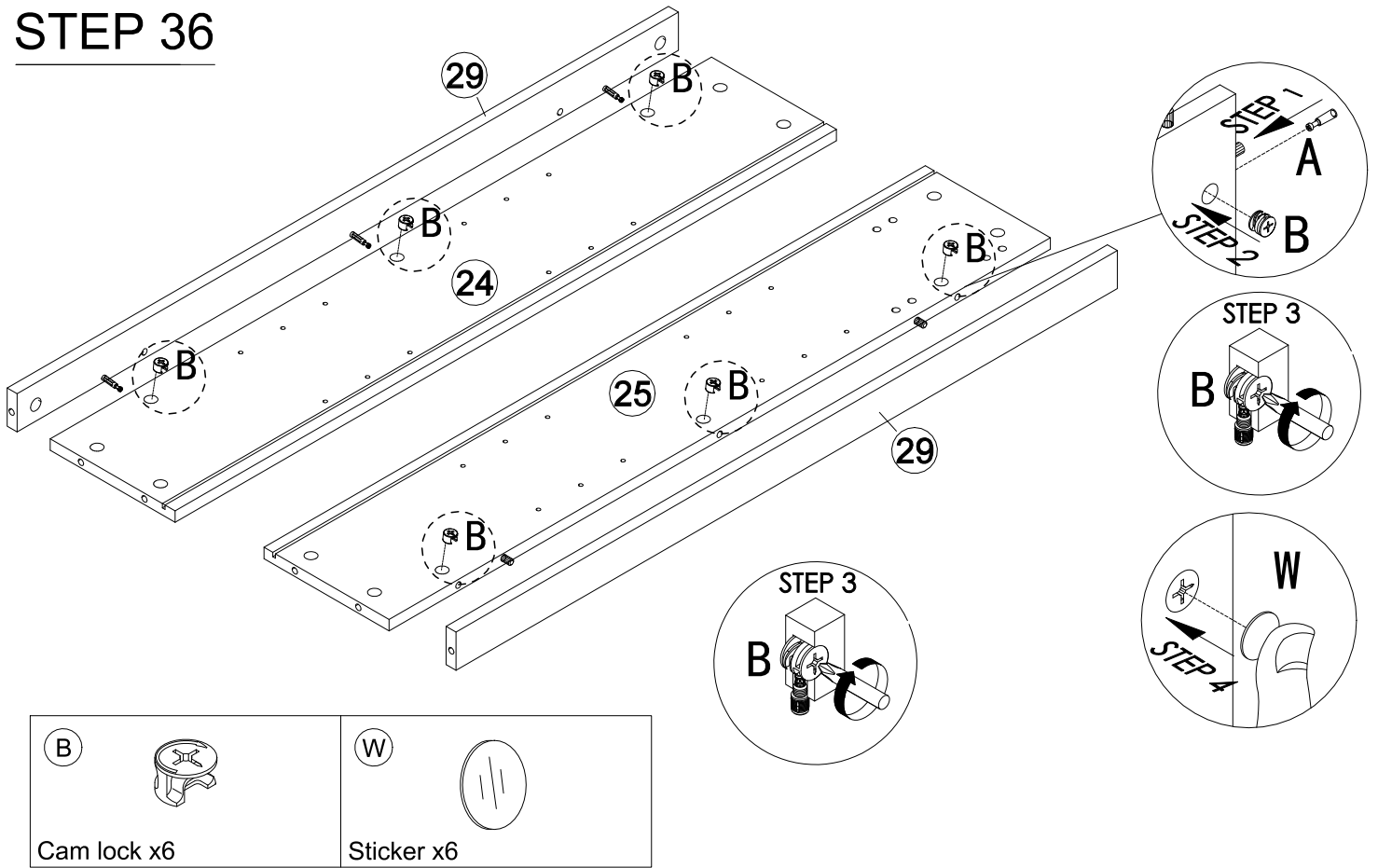


To adjust the door vertically loosen the screw as shown and move up and down as needed.

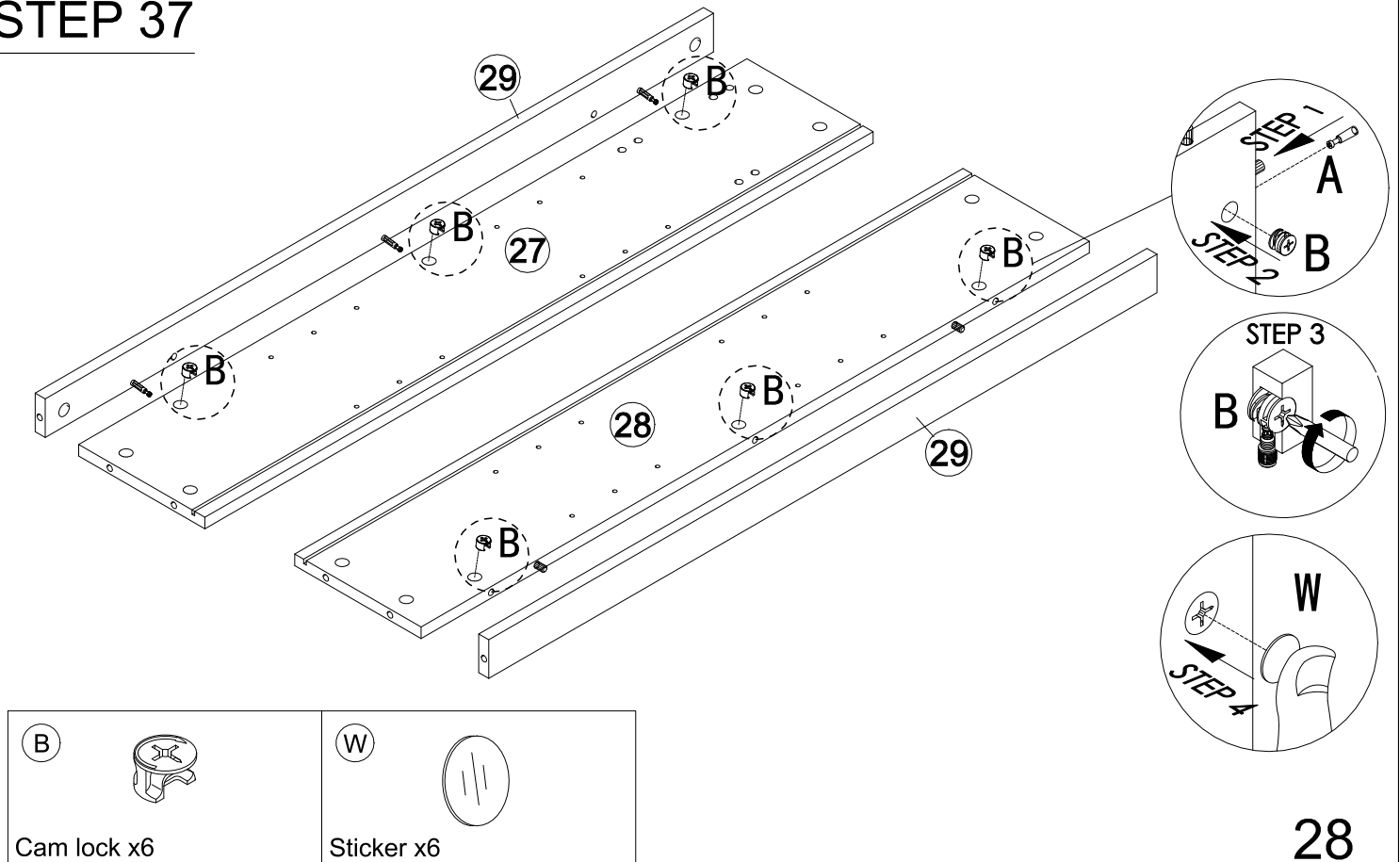


To adjust the gap from the door to the main frame turn the screw clockwise or anti-clockwise as needed.

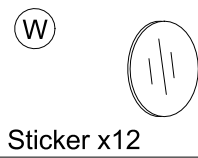
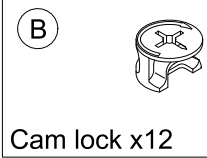
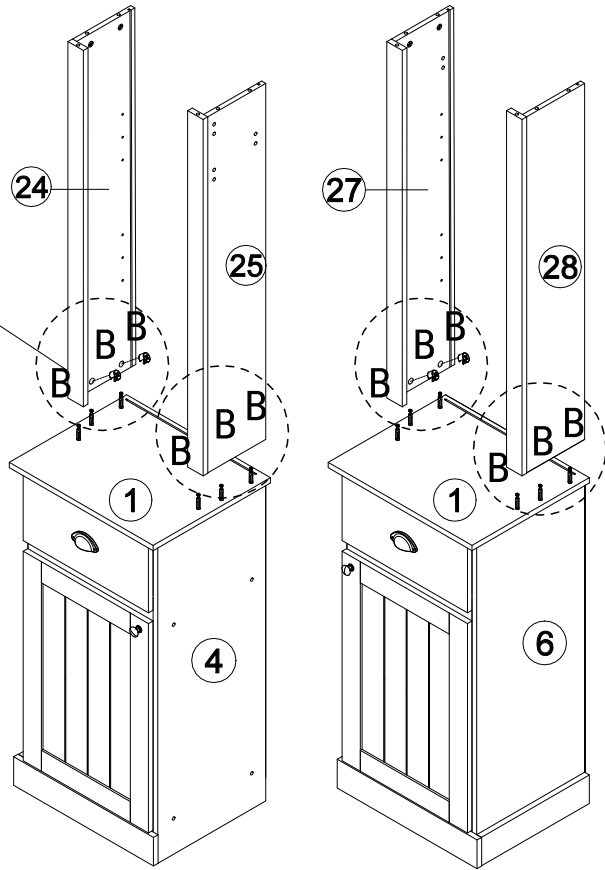
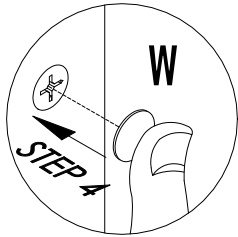
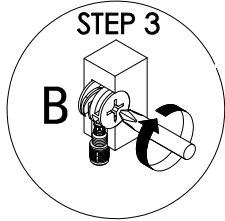
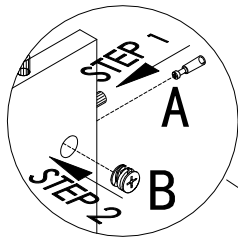
STEP 36



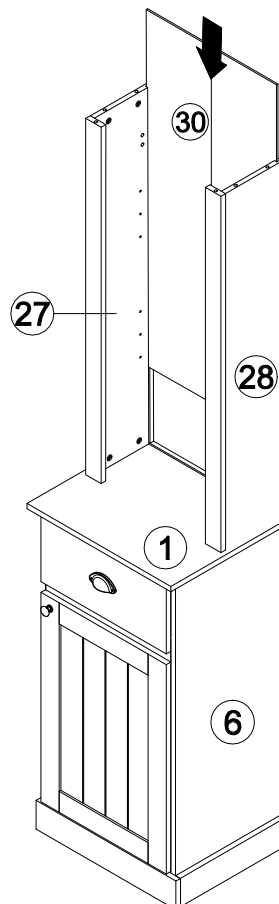
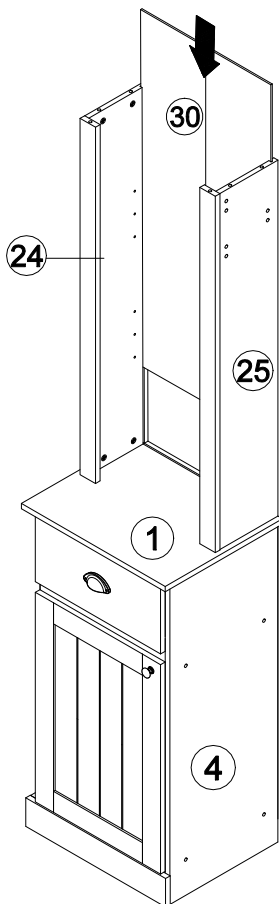
STEP 37



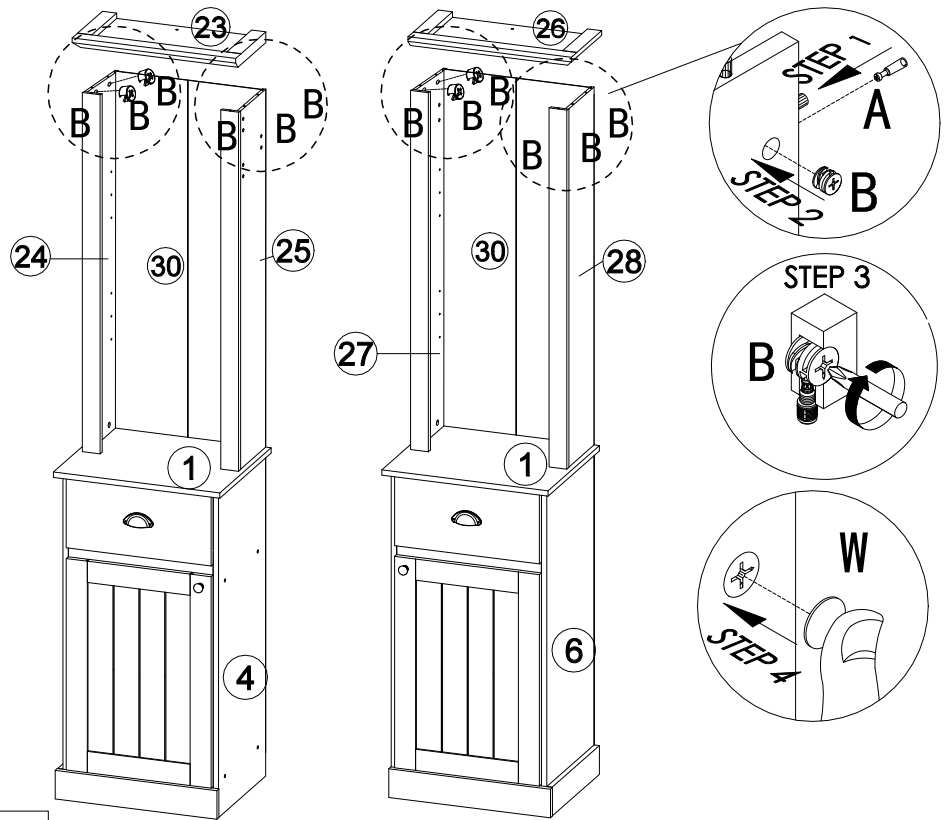
STEP 38





STEP 39

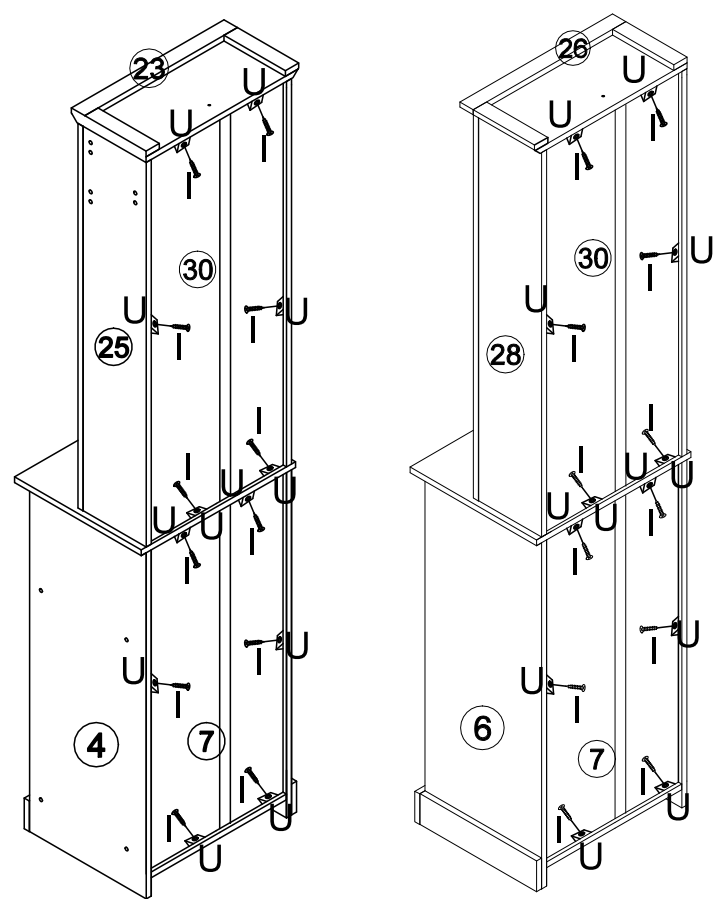




STEP 40



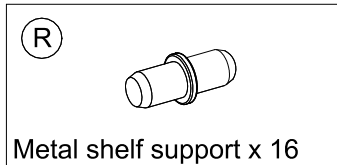
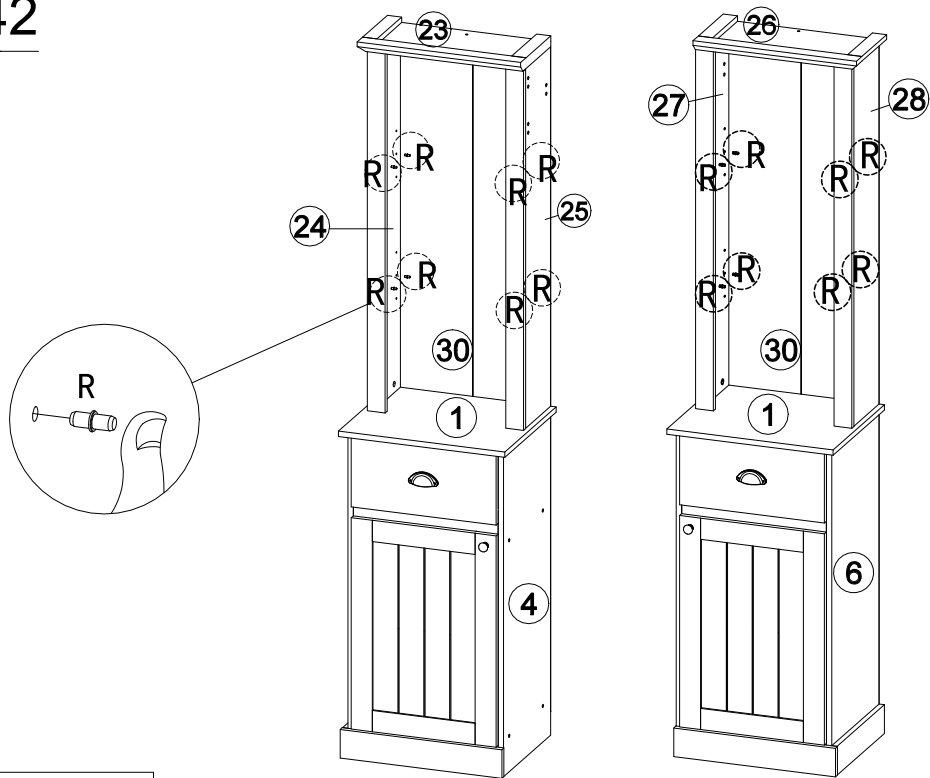
<p>(B) </p> <p>Cam lock x12</p>	<p>(W) </p> <p>Sticker x12</p>
---	--

STEP 41

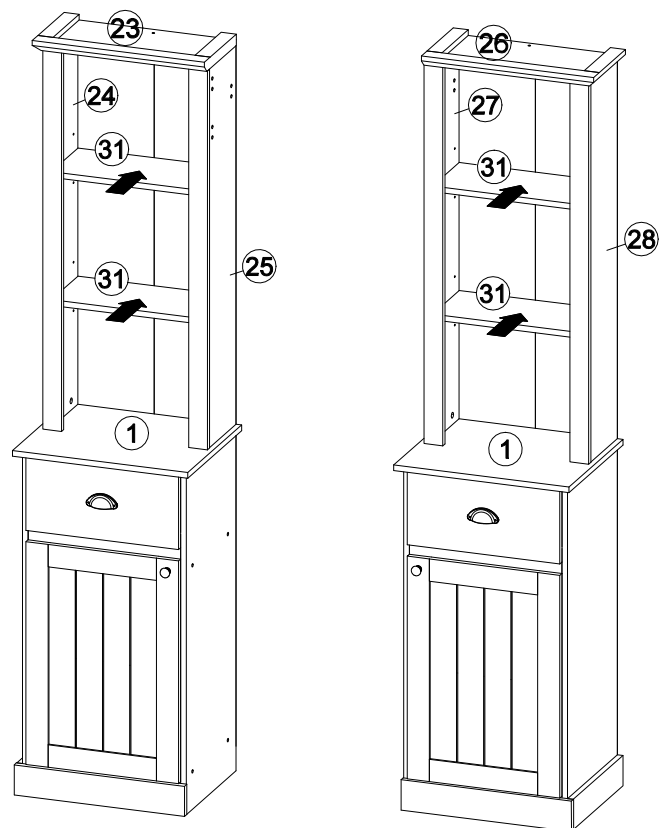


<p>(U) </p> <p>Back panel clasp x 24</p>	<p>(I) </p> <p>Screw x24</p>
---	---

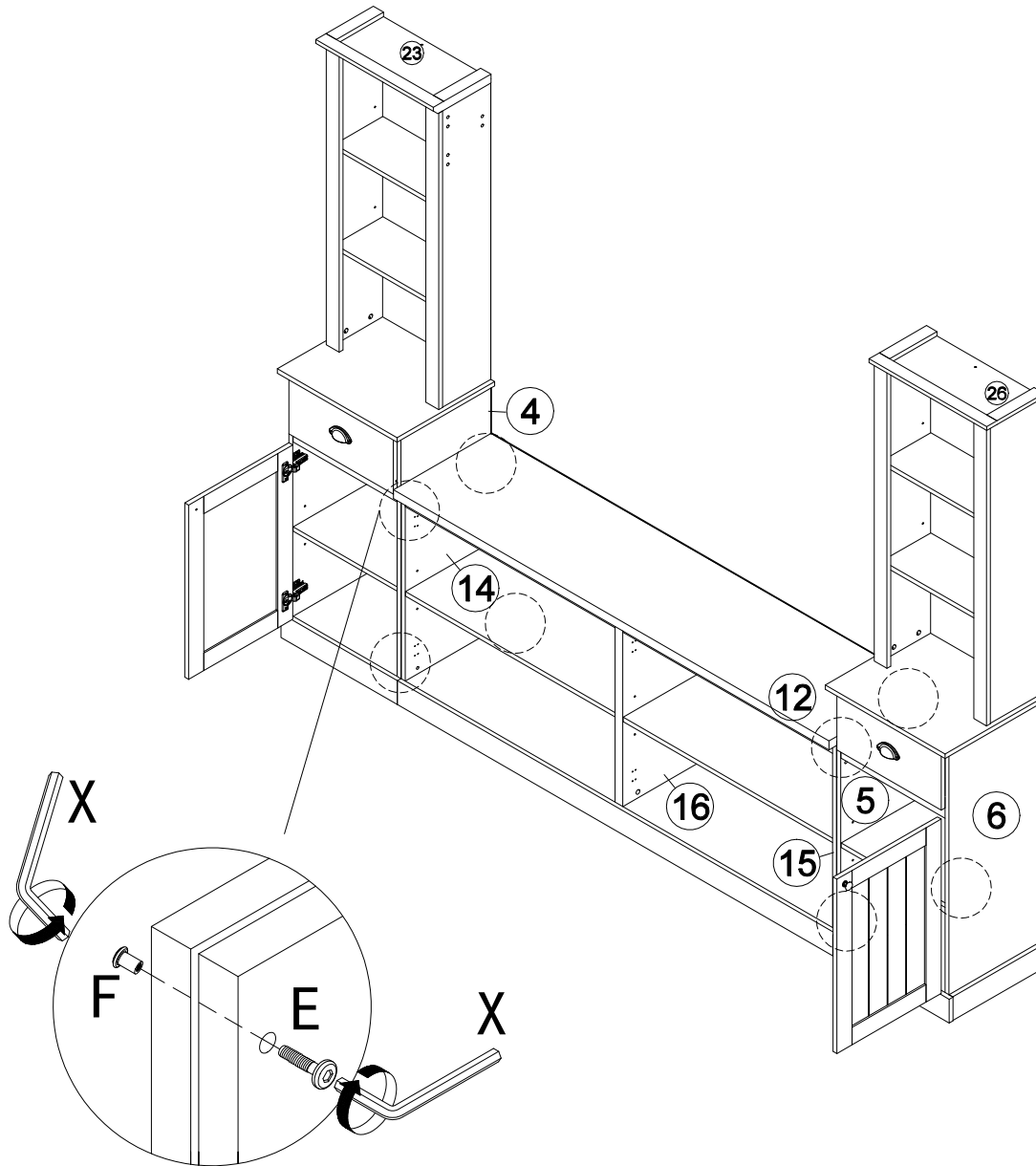
STEP 42

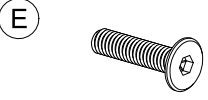
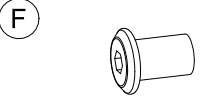
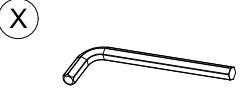


STEP 43

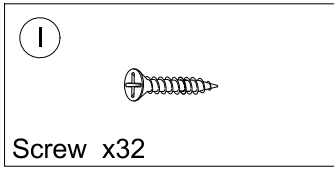
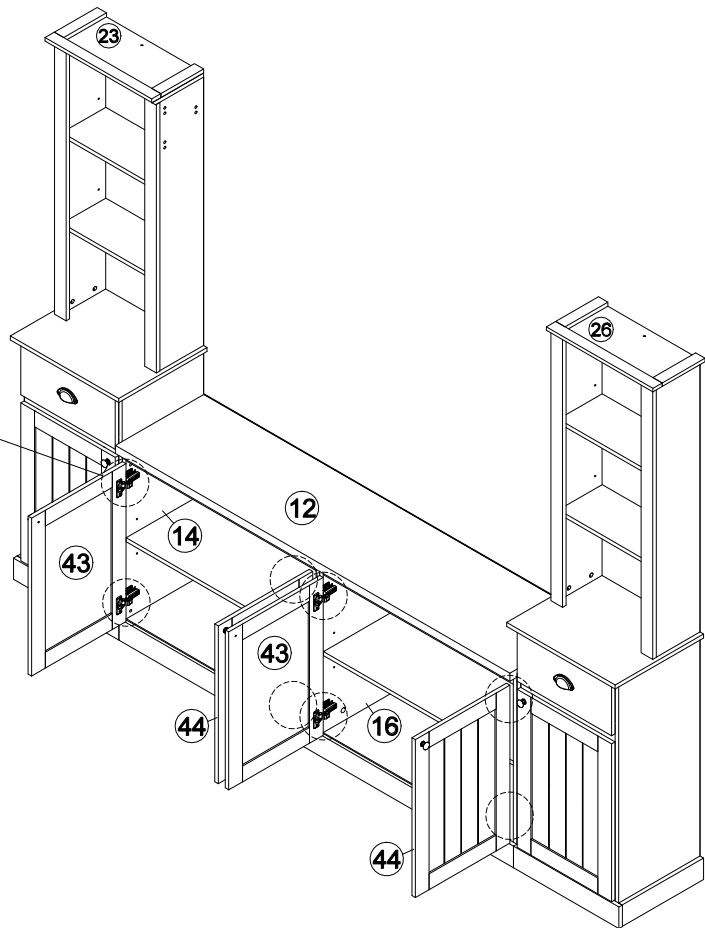
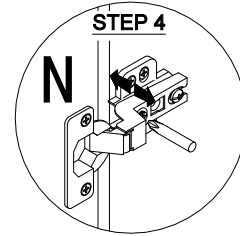
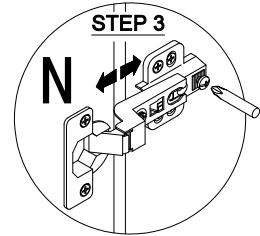
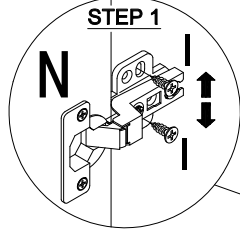
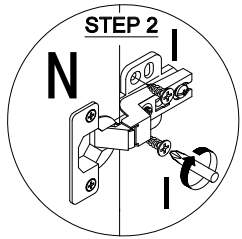


STEP 44



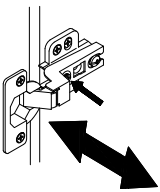
 <p>Bolt x8</p>	 <p>Joint nut x8</p>	 <p>Allen key x2</p>
---	---	--

STEP 45

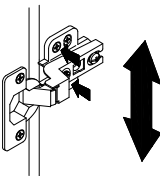


HINGE ADJUSTMENT GUIDE

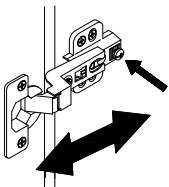
It may be necessary to adjust the hinges so that the doors align.
Use the instructions below as a guide.



To adjust the door horizontal loosen the screw as shown by turning clockwise or anti-clockwise.

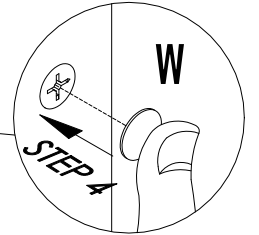
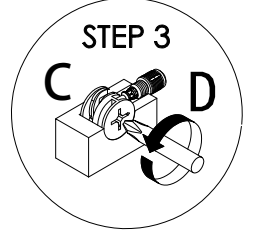
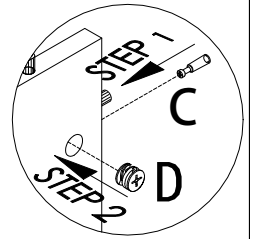
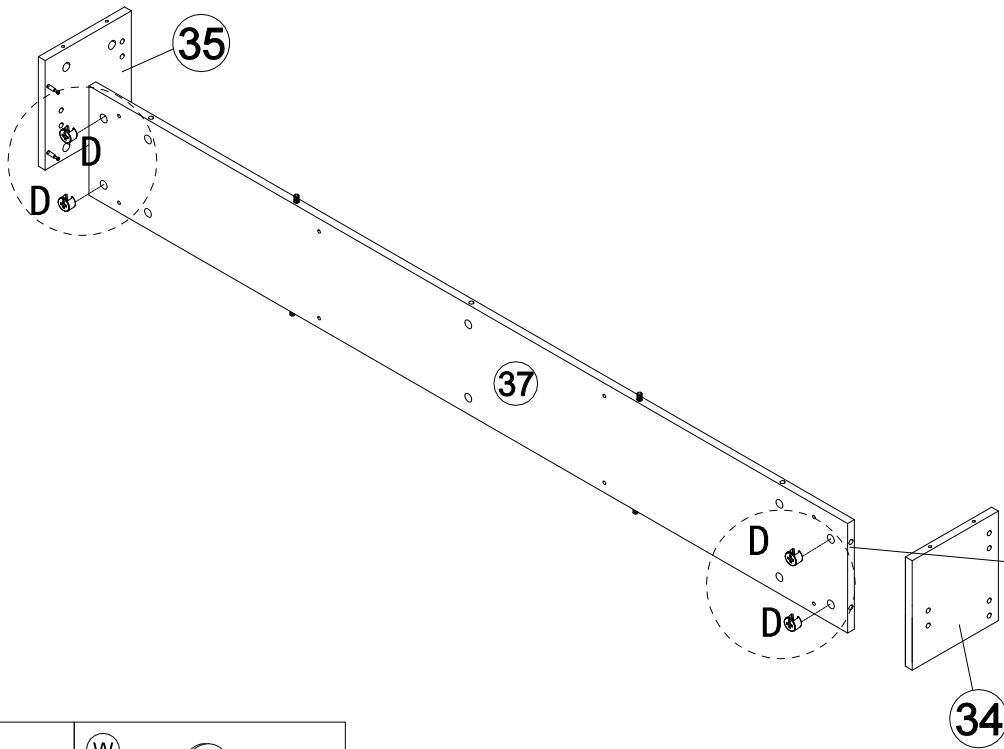




To adjust the door vertically loosen the screw as shown and move up and down as needed.



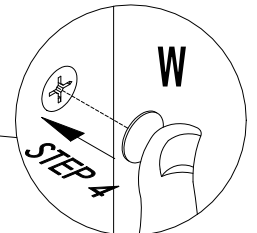
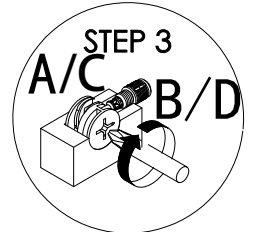
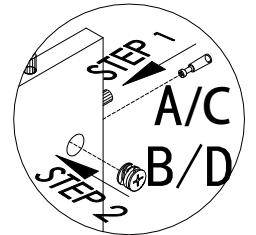
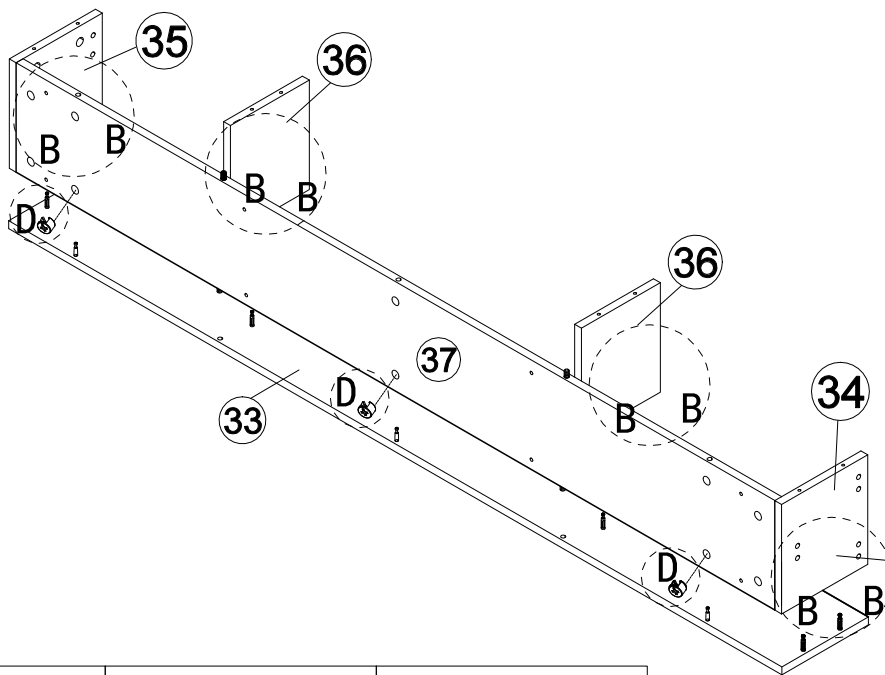
To adjust the gap from the door to the main frame turn the screw clockwise or anti-clockwise as needed.




STEP 46



 <p>Cam lock x4</p>	 <p>Sticker x4</p>
--	--

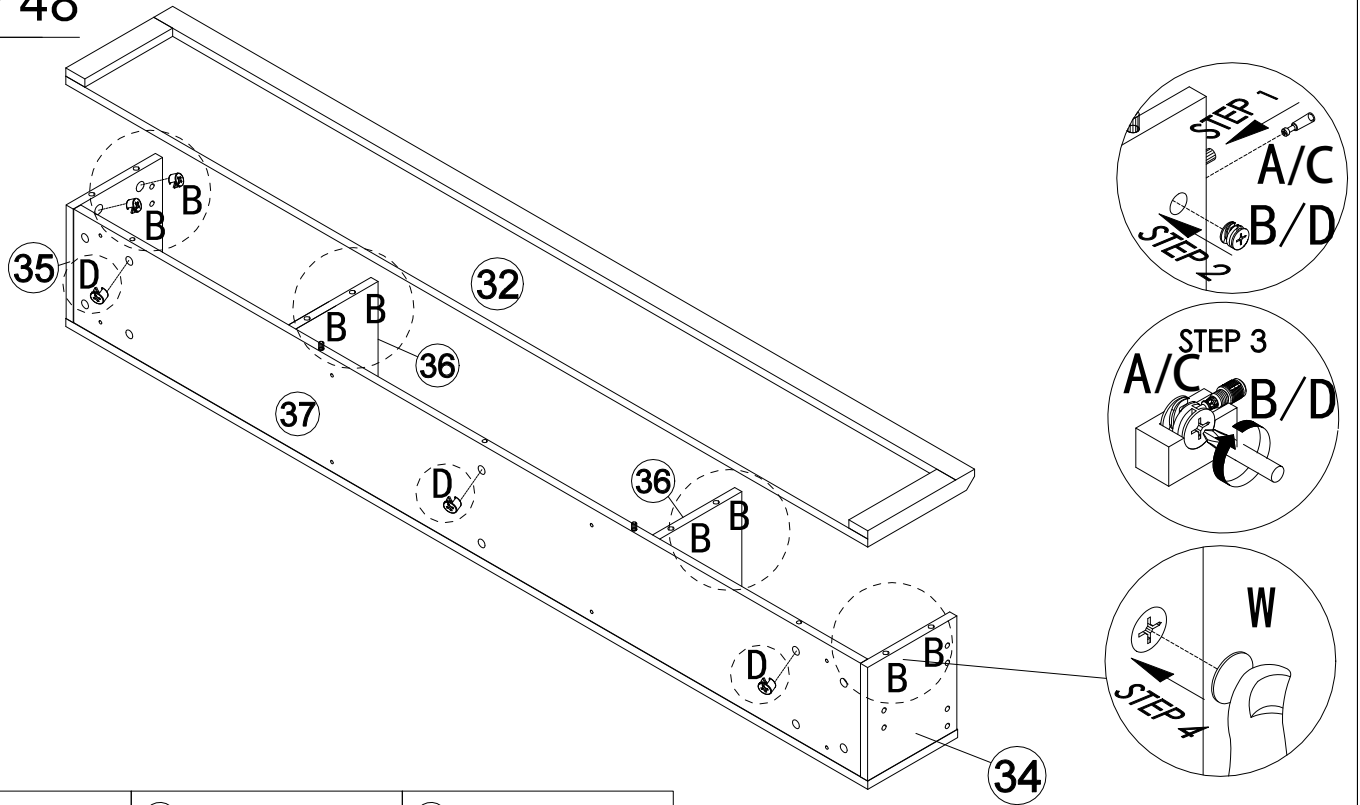
STEP 47






 <p>Cam lock x8</p>	 <p>Sticker x11</p>	 <p>Cam lock x3</p>
---	--	--

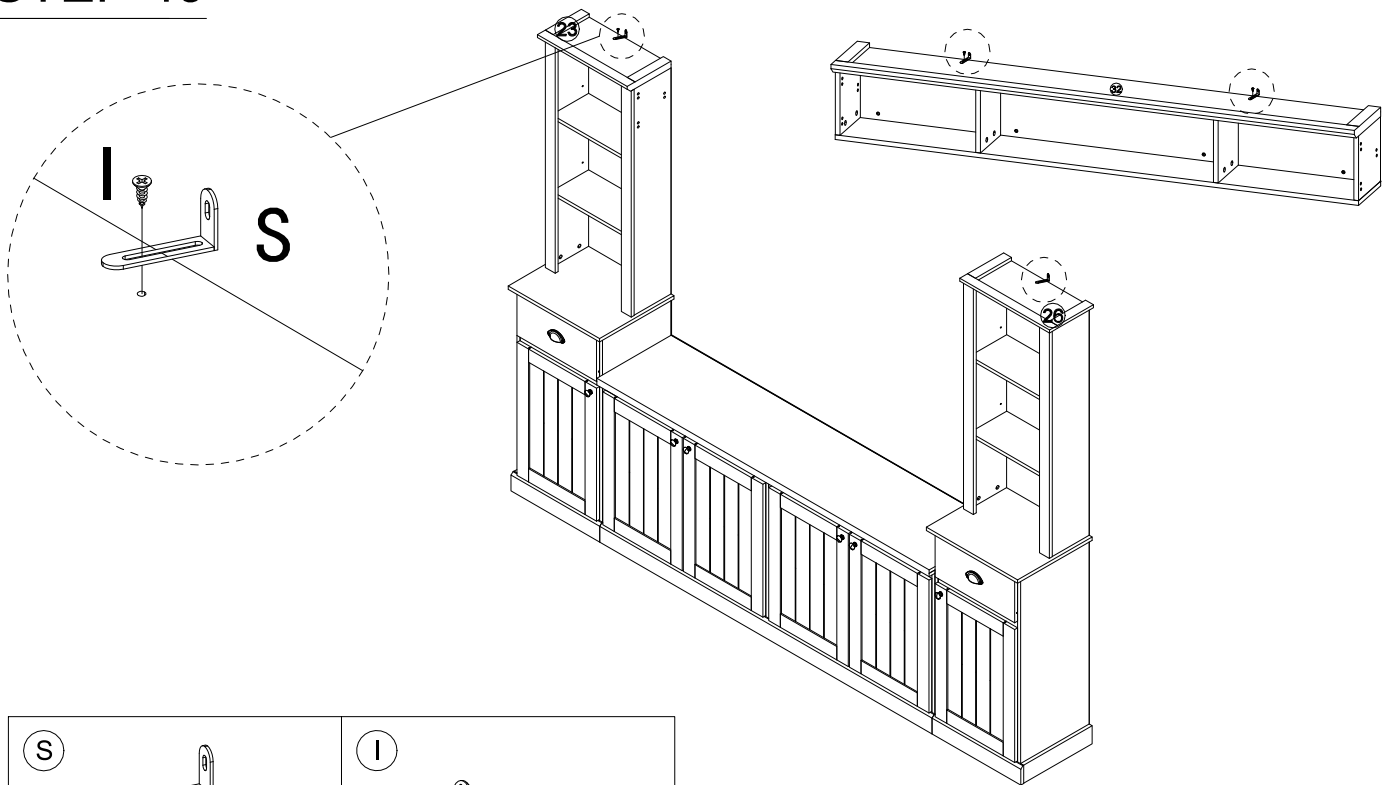
34

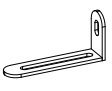

STEP 48



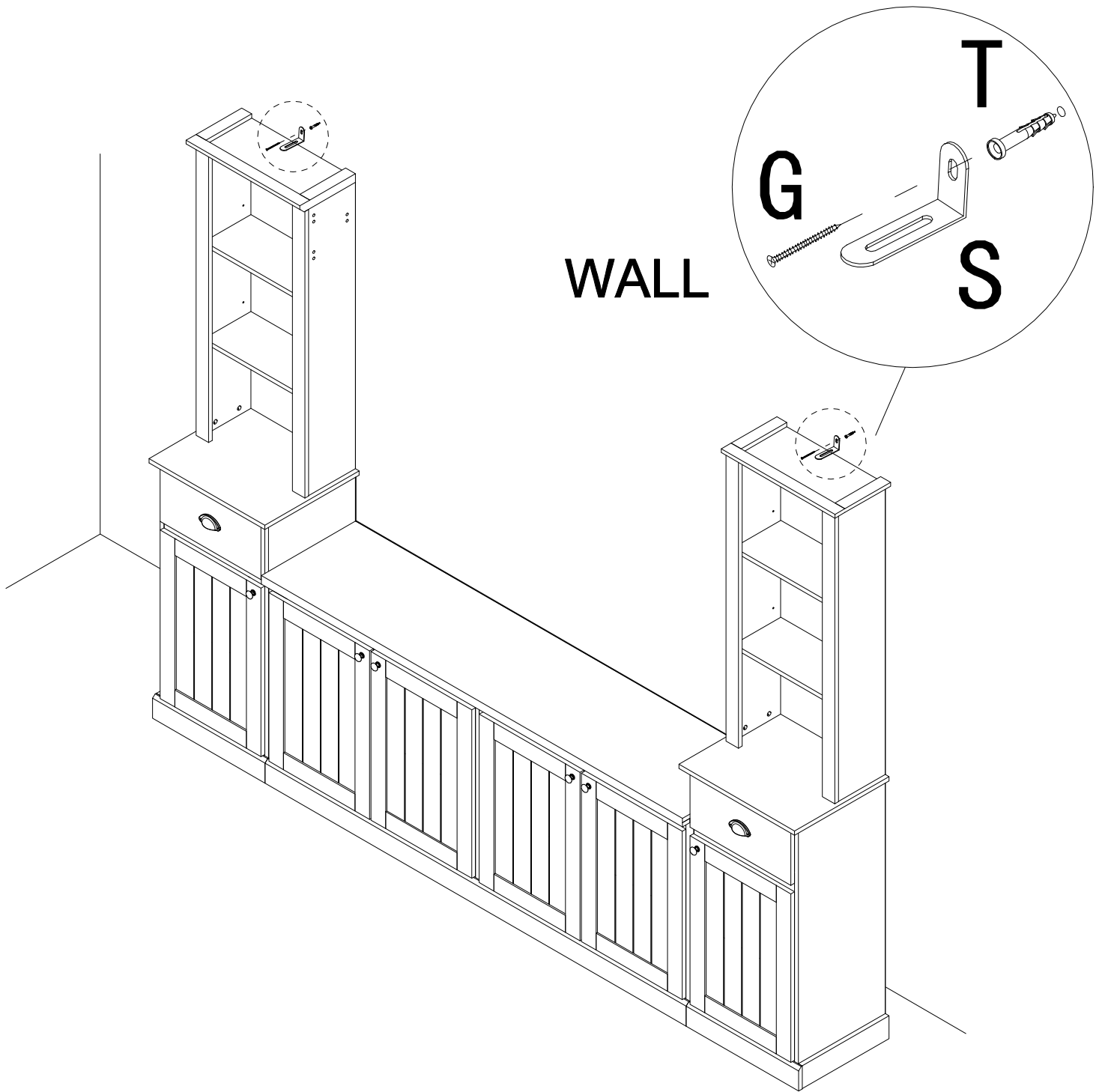
<p>(B) </p> <p>Cam lock x8</p>	<p>(W) </p> <p>Sticker x11</p>	<p>(D) </p> <p>Cam lock x3</p>
--	--	--


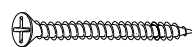
STEP 49



<p>(S) </p> <p>L bracket x4</p>	<p>(I) </p> <p>Screw x4</p>
--	--

STEP 50

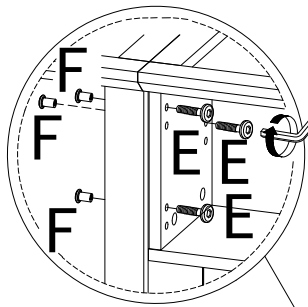


<p>(T)</p>  <p>Wall plug x 2</p>	<p>(G)</p>  <p>Screw x2</p>
---	--

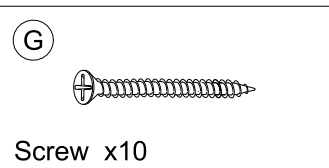
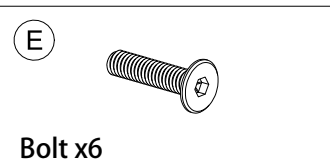
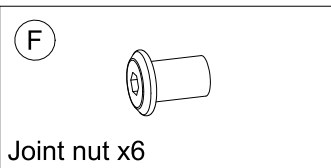
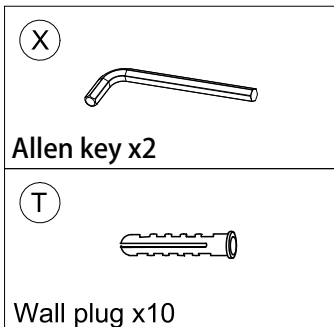
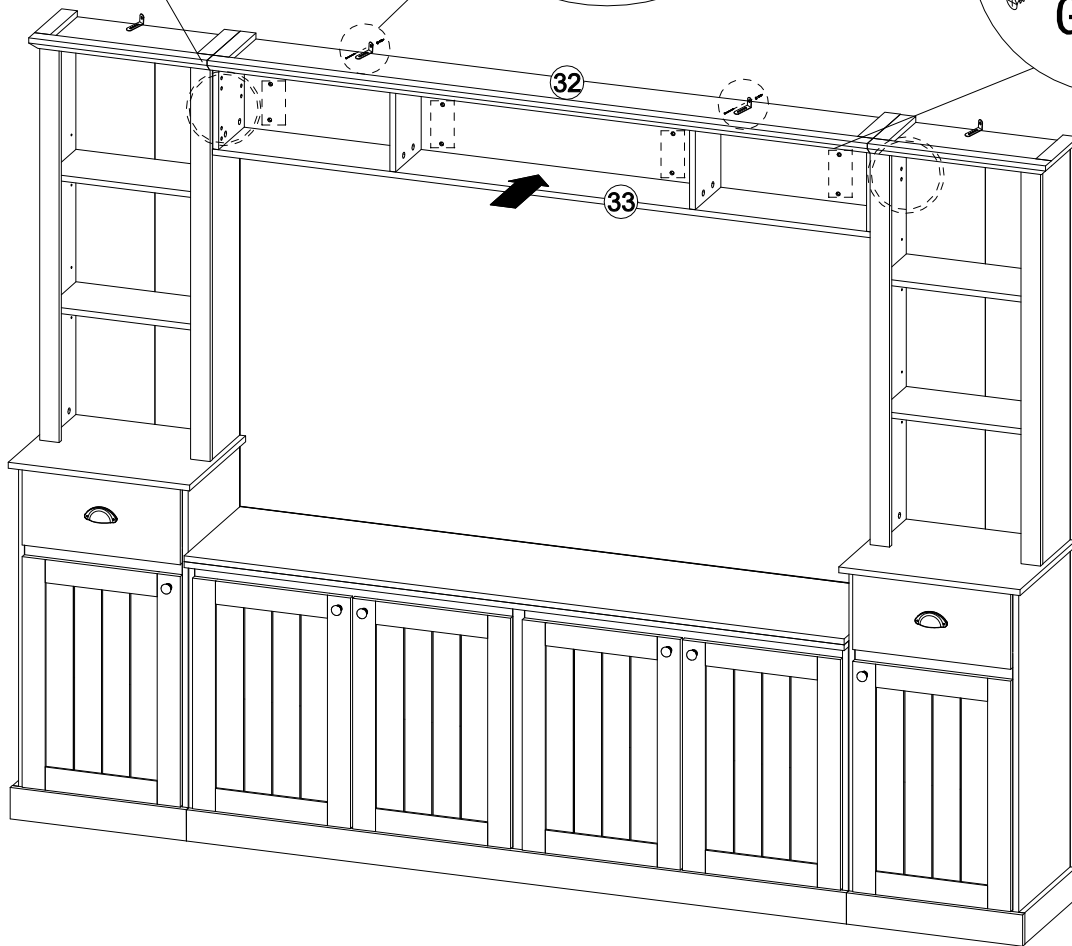
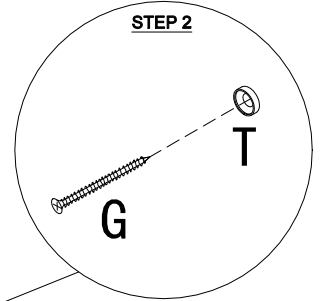
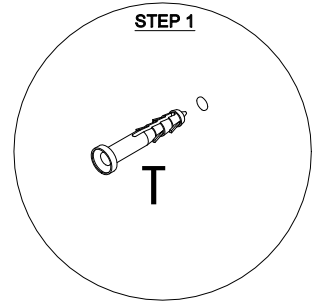
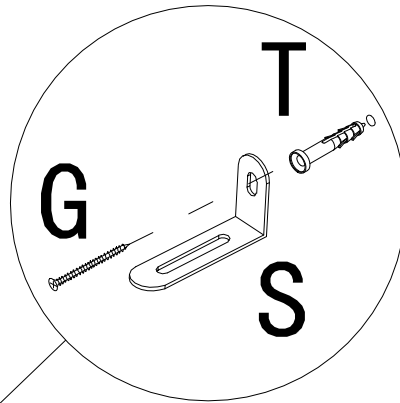
STEP 51

OPTIONS 1

There is 2 ways of installation.



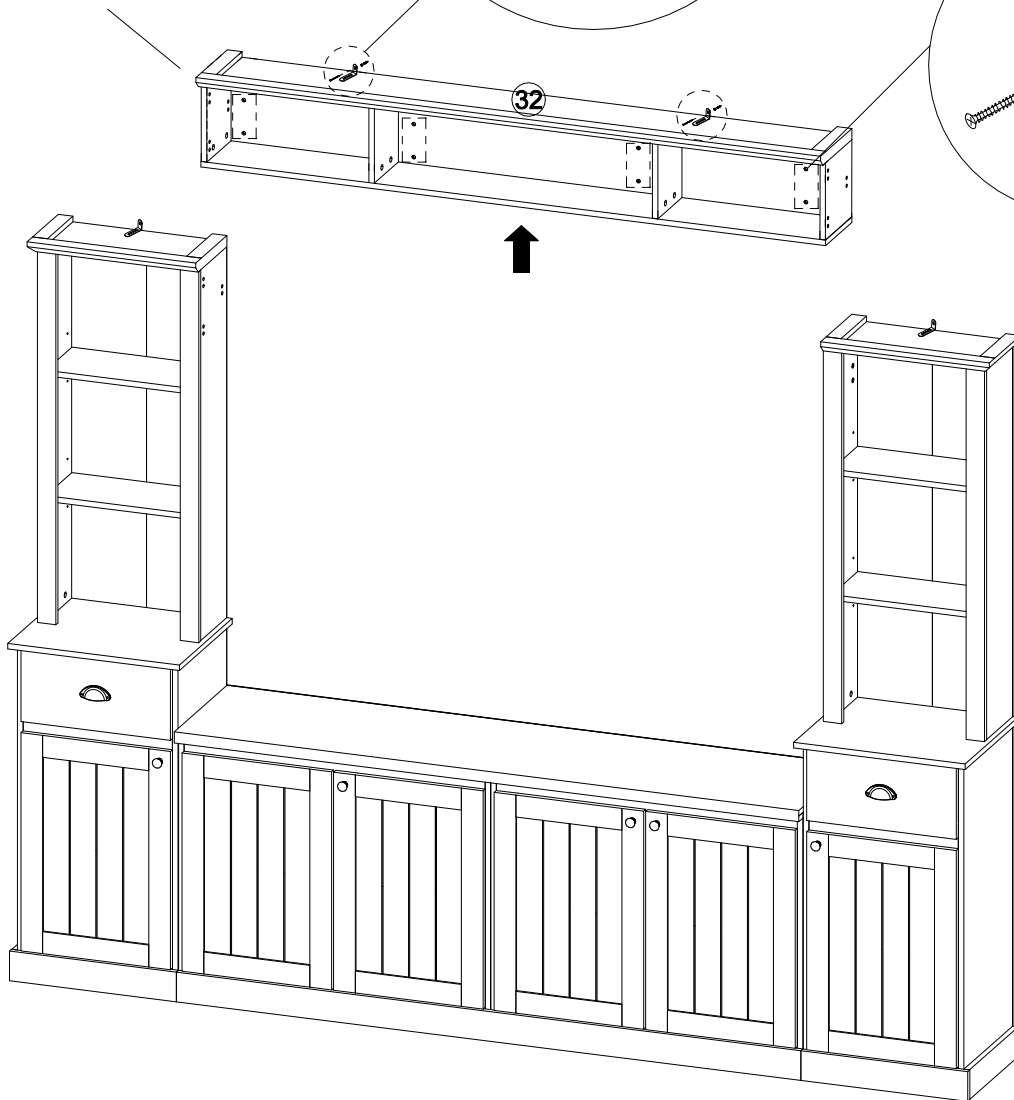
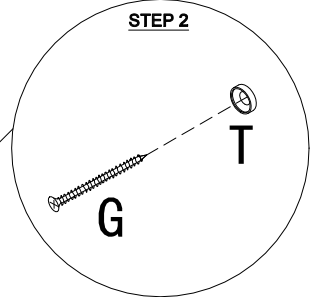
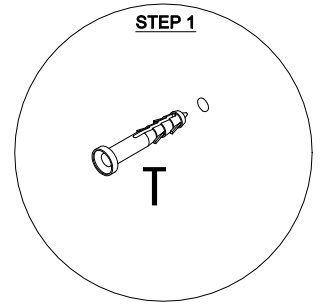
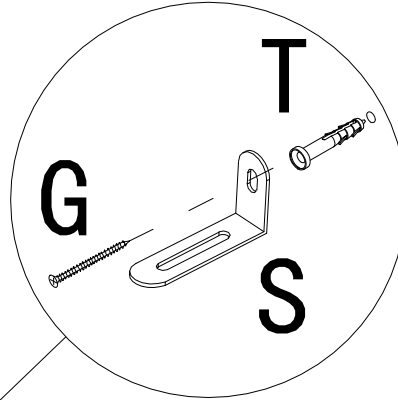
WALL





STEP 52

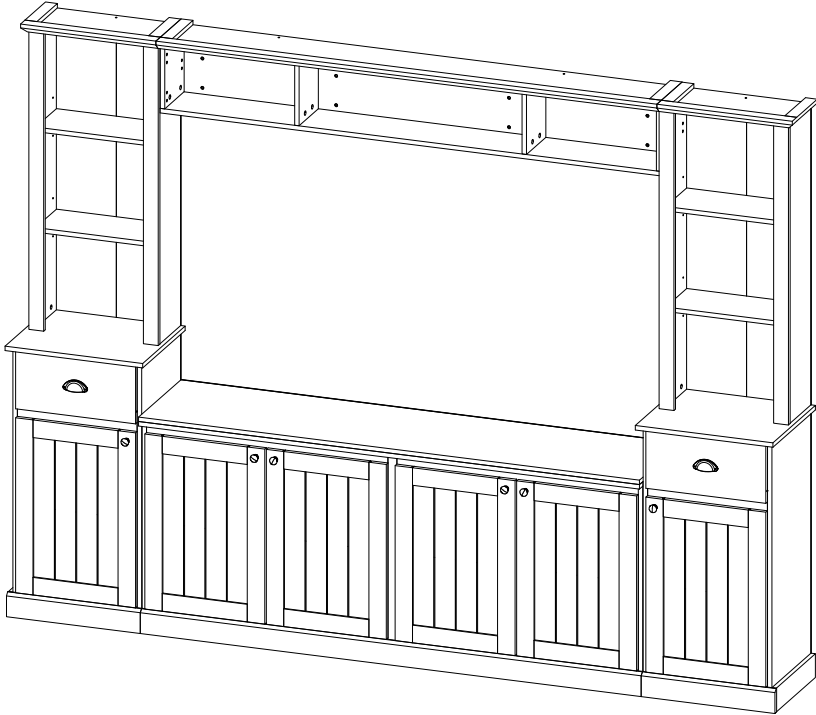
OPTIONS 2

Can be fix on wall separately
on height needed.



 Screw x10	 Wall plug x10
---	--

OPTIONS 1



OPTIONS 2

