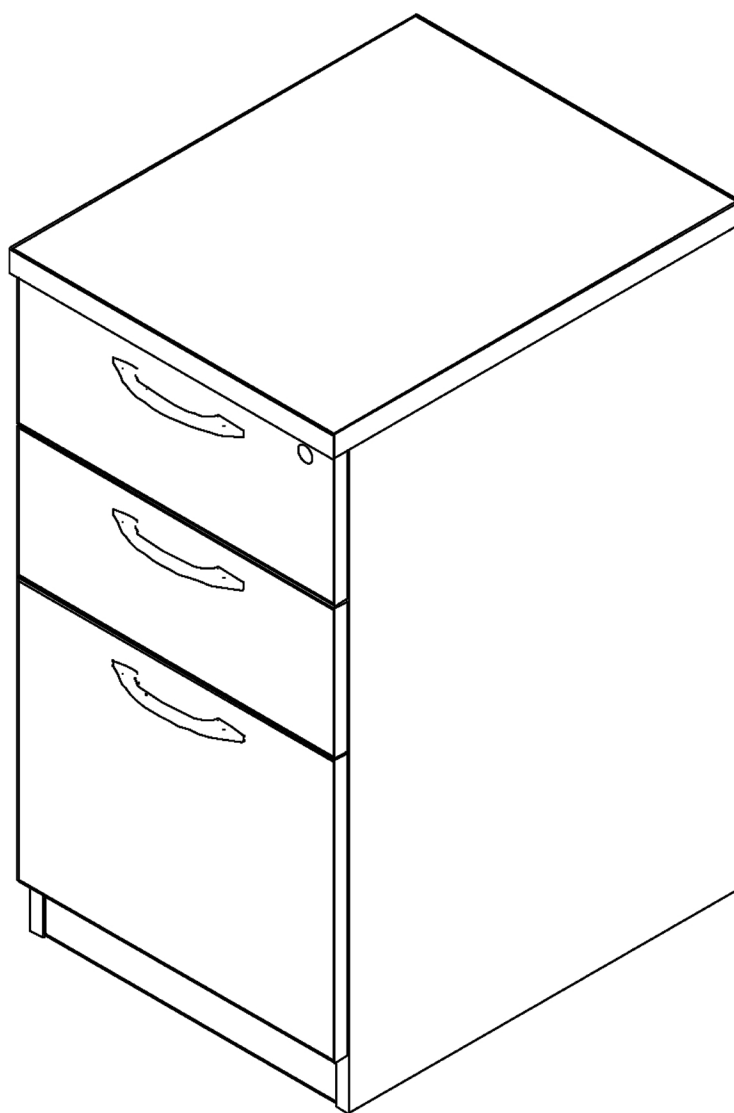


ASSEMBLY INSTRUCTION



Dear Customer,

Thank you for choosing us. Before you begin assembly, check that you have all the parts and hardware shown on this page.

If there is any item missing, please circle the item, indicating quantity required and send picture to us. We will arrange replacement at first time.

If feel question in assemble, Please feel free to ask us.

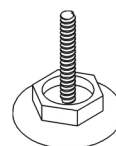
Customer satisfaction is our prime.

Your order means a lot to us!

Thank you

HARDWARE

A: Glider
5\16x25



4 pcs

B: Handle

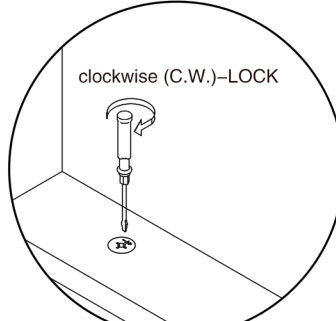
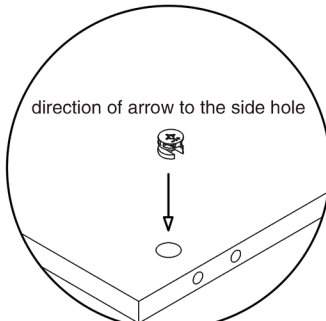
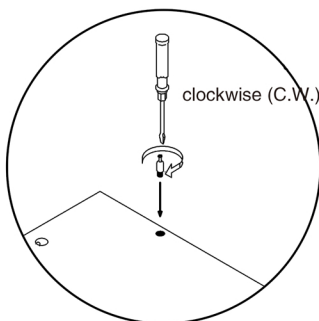


3 pcs

TOOLS NEEDED

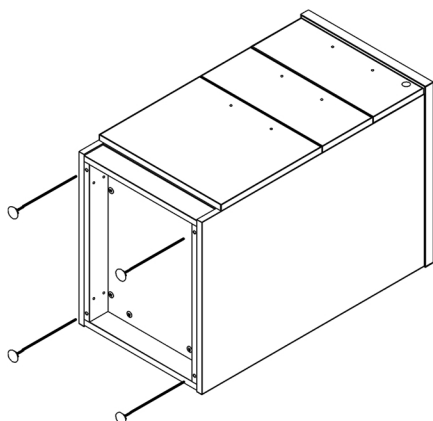
Crosshead screwdriver

Flat-head screwdriver



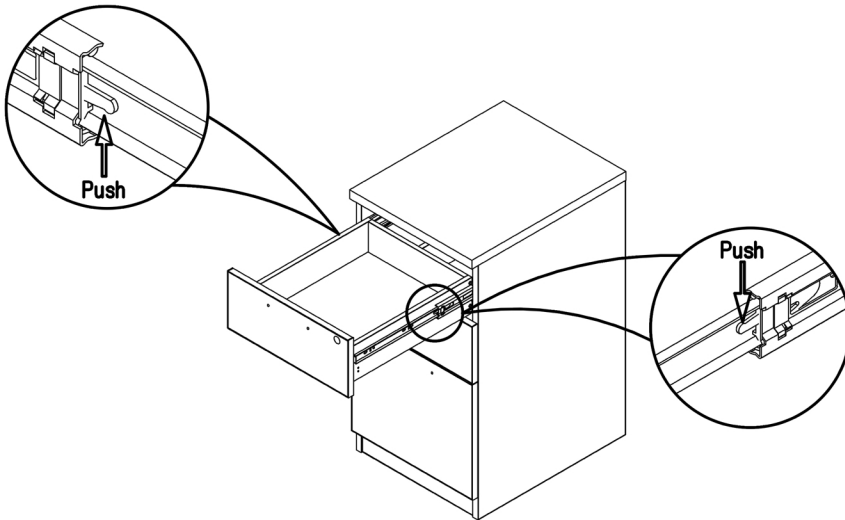
- Note:**
1. Tighten the Cam Bolt clockwise.
 2. Turn the arrow direction of the Cam Lock toward the side hole.
 3. Please lock the Cam Lock in time after the two board are spliced.

STEP 1



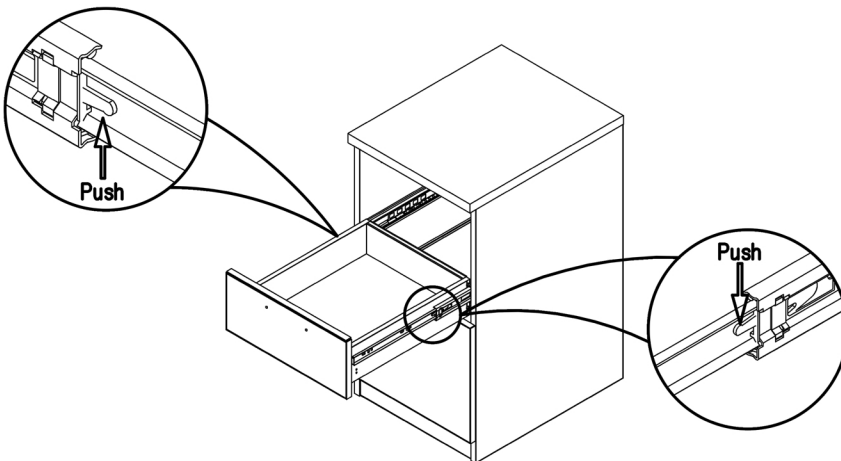
- Put down the cabinet and install the gliders.
- If you want to install the cabinet under the table, Please refer to the diagram after Step 2.

STEP 2



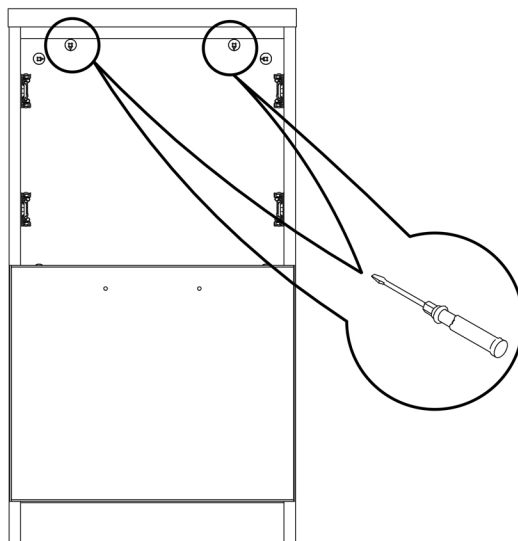
· Remove the drawer on the top: Pull out the drawer and carefully see the guide rail on both side, you will find the green plastic buckle. Press down the green plastic buckle on the right side and pull up the one on the left side on the same time, then the drawer will can be removed.

STEP 3



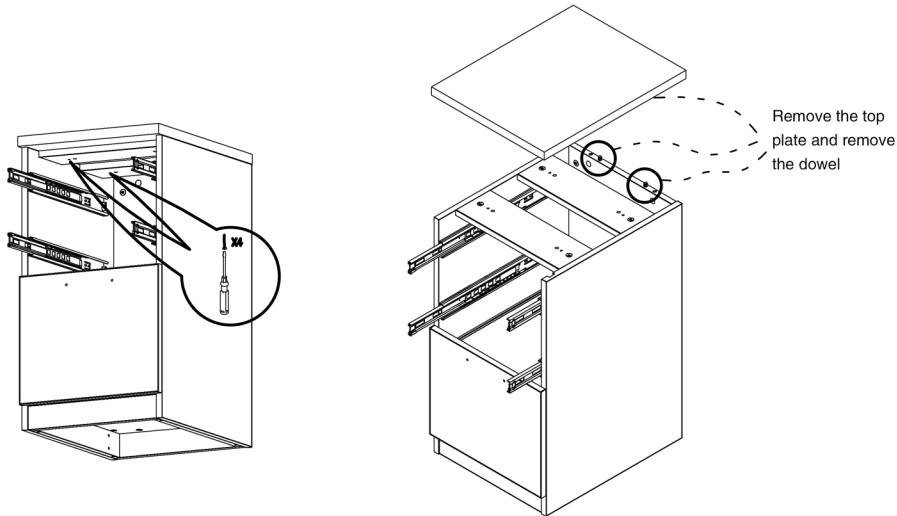
· Remove the middle drawer in the same way as step 1 (Note: Ignore this step if the cabinet only has two drawers.)

STEP 4



· Use a screwdriver to loosen the CAM Part at the back location of the top of the cabinet.

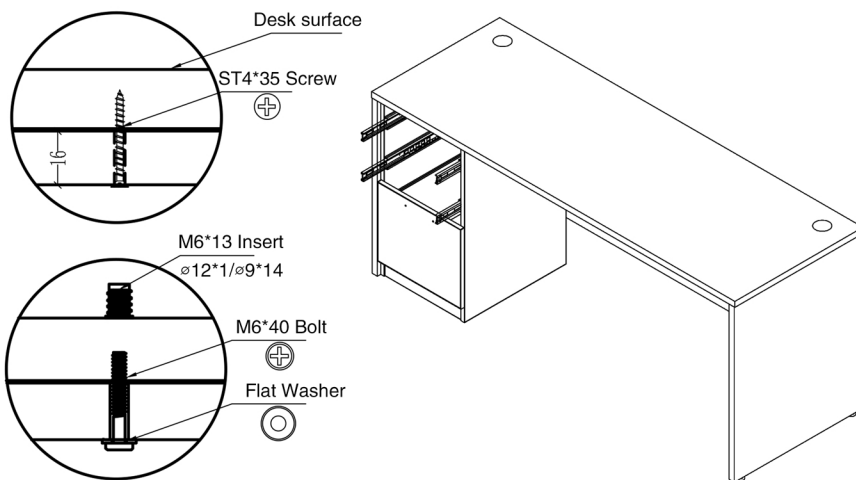
STEP 5



· Unscrew the 4 screws which connecting the top plate and the pull plate.

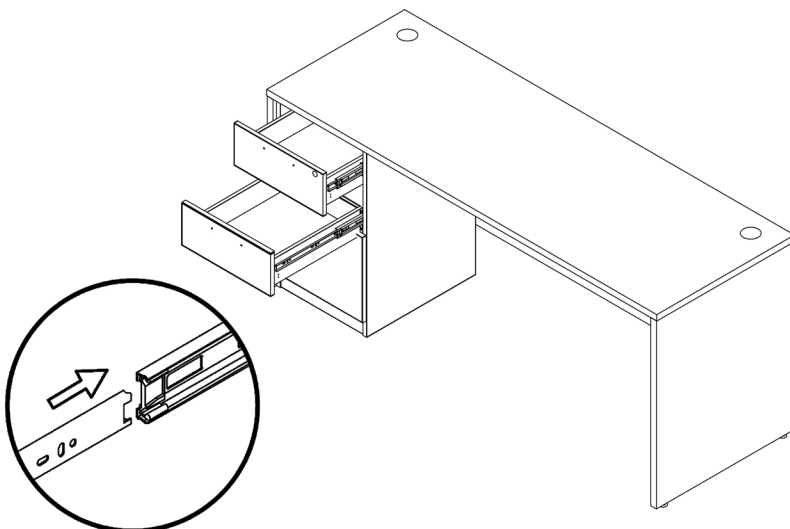
· Remove the top plate and remove the dowel.

STEP 6



· Put the cabinet under the desk and lock the screw or threaded rod.

STEP 7



· Reinstall the drawers removed earlier. (Note: Move and push in gently, do not bump or push violently.)

Thank you for your recent order.

We strive to provide customers with great services and satisfaction.

If any questions, please contact us.

Our customer support team is ready to help!