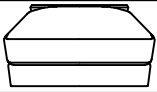
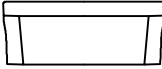




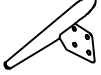

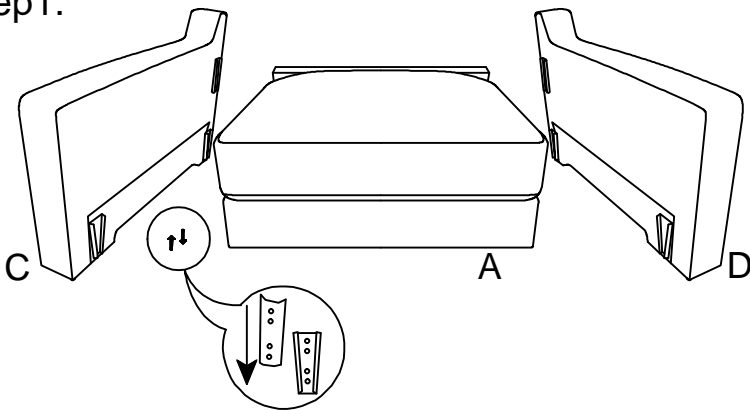


Assembly Instruction

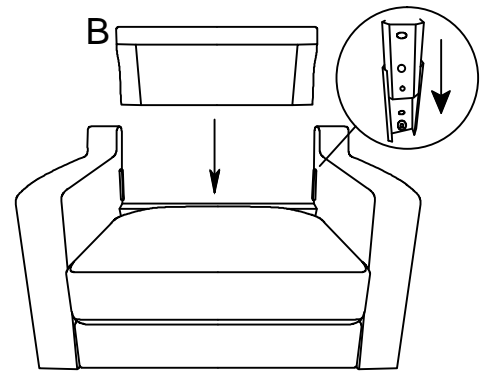
COMPONENT LIST

NO.	DRAWING	QTY	NO.	DRAWING	QTY
A		1	B		1
C		1	D		1
E		1	F		16
G		4	H		1

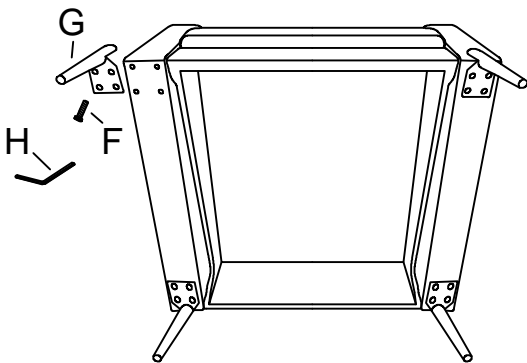
Step1.



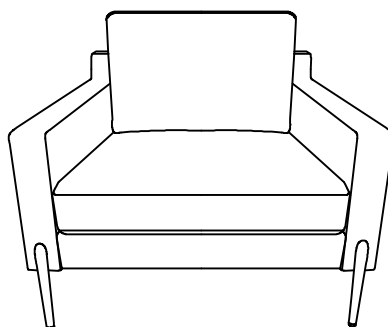
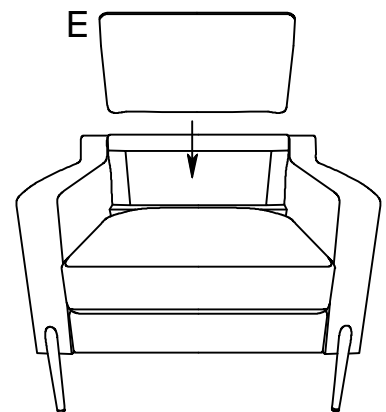
Step2.



Step3.



Step4.

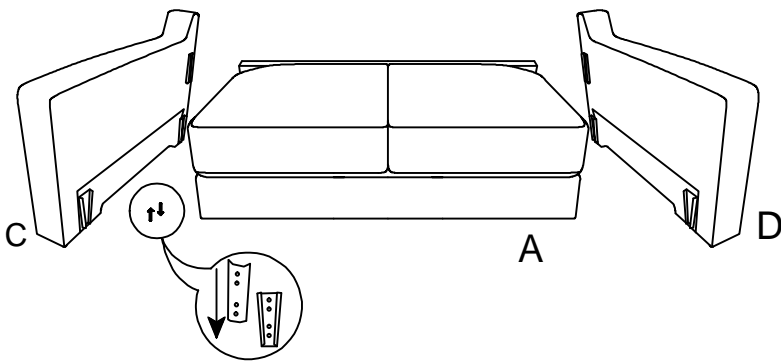


Assembly Instruction

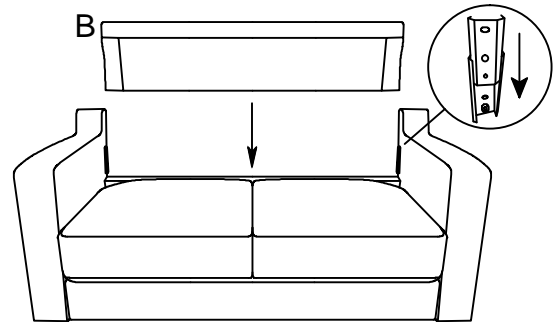
COMPONENT LIST

NO.	DRAWING	QTY	NO.	DRAWING	QTY
A		1	B		1
C		1	D		1
E		2	F		16
G		4	H		1

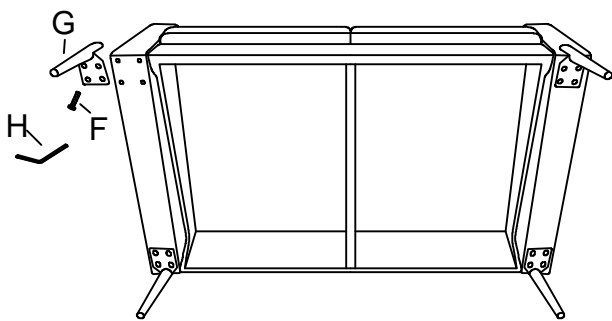
Step1.



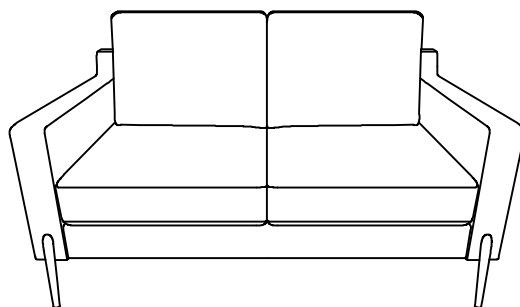
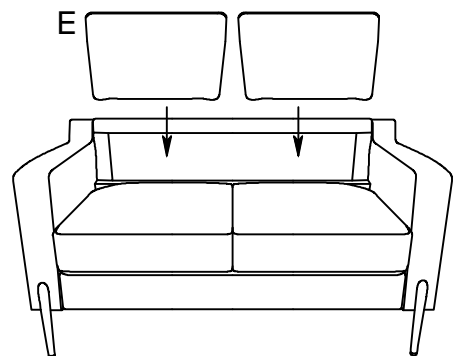
Step2.



Step3.


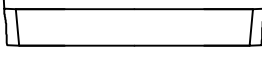
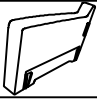
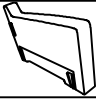








Step4.

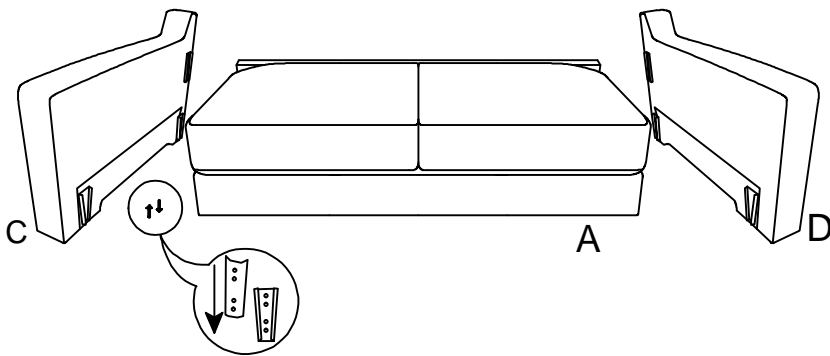


Assembly Instruction

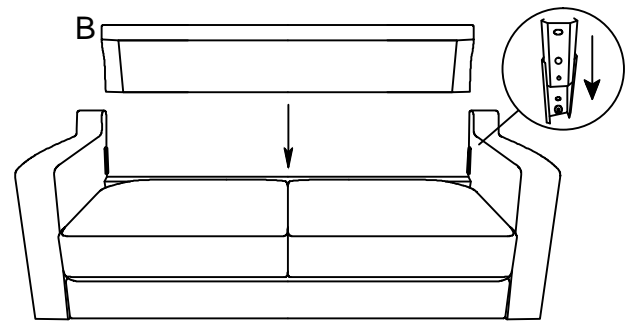
COMPONENT LIST

NO.	DRAWING	QTY	NO.	DRAWING	QTY
A		1	B		1
C		1	D		1
E		2	F		16
G		4	H		1
I		1	J		1

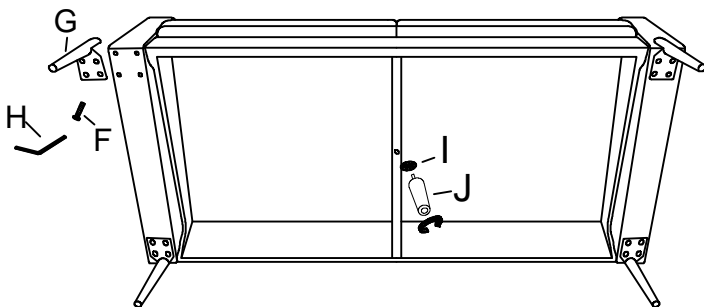
Step1.



Step2.



Step3.



Step4.

