

**WARNING:**

Small parts and sharp points may be present prior to assembly.

**Care Instructions**

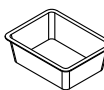
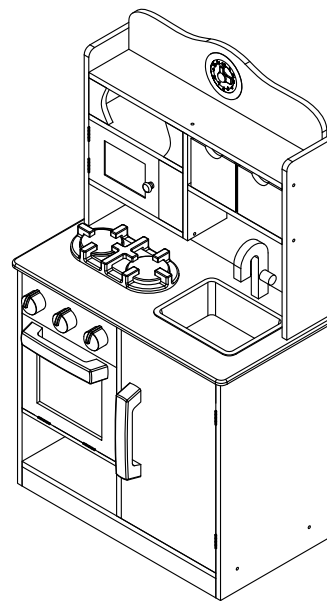
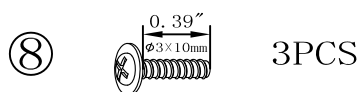
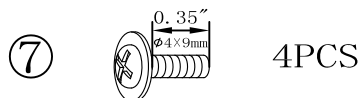
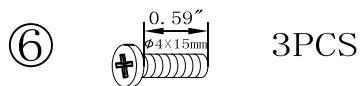
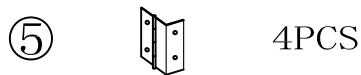
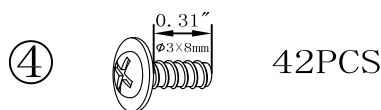
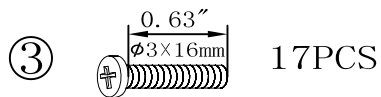
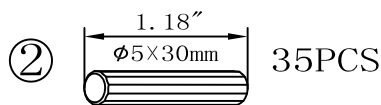
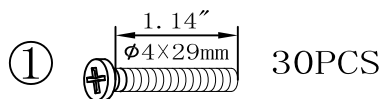
To clean your product, use mild soap and water on a damp cloth. Do not use window cleaners or cleaning abrasives as they will scratch the surface and could damage the protective coating.

**Customer Service**

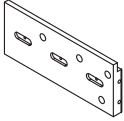
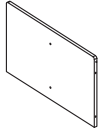
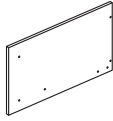
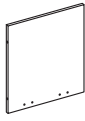
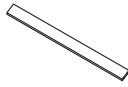

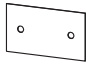

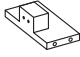
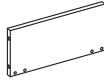
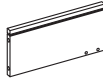
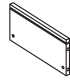
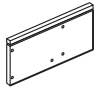
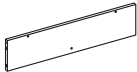

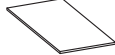
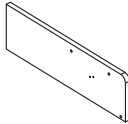

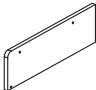
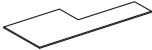
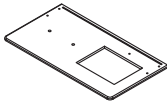

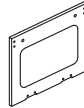
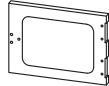
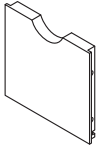
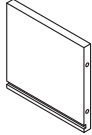
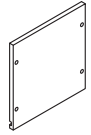
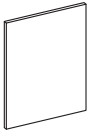
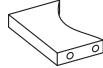

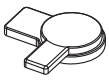
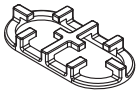
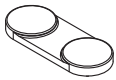
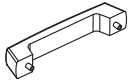
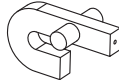

For questions regarding this product, or to receive replacement or missing parts, please contact customer service based on your location. Please have ready the model number and part number(s) located in this assembly instruction sheet when you contact us.


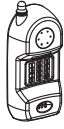

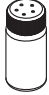

[www.teamsonkids.com](http://www.teamsonkids.com)

**HARDWARE :**




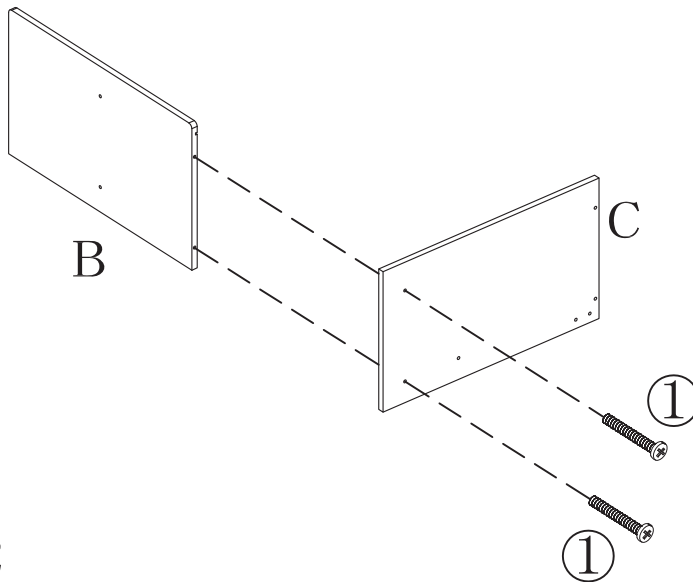
# PRODUCT PARTS:

A	B	C	D	E	F
					
1PC	1PC	1PC	1PC	1PC	1PC
G	H	I	J	K	L
					
2PCS	1PC	1PC	1PC	1PC	1PC
M	N	O	P	Q	R
					
1PC	1PC	1PC	1PC	1PC	1PC
S	T	U	V	W	X
					
1PC	1PC	1PC	1PC	1PC	1PC
Y	Z	⑮	⑯	⑰	⑱
					
2PCS	2PCS	4PCS	2PCS	2PCS	3PCS
⑲	⑳	㉑	㉒	㉓	㉔
					
1PC	1PC	1PC	2PCS	1PC	1PC

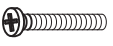
25	26	27	28	29
				
1PC	1PC	1PC	1PC	1PC


## Step 1

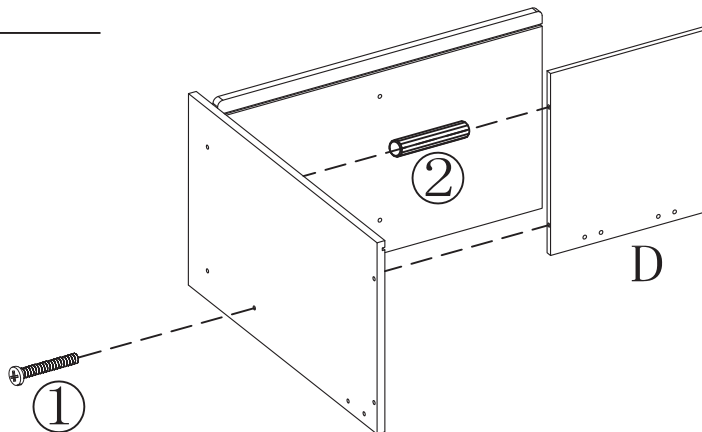
- ①  2PCS  
 $\phi 4 \times 29 \text{mm}$




## Step 2

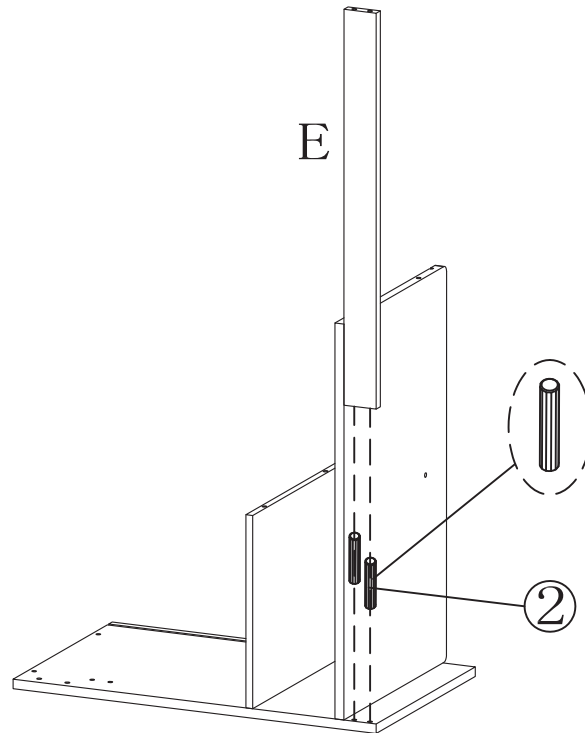
- ①  1PC  
 $\phi 4 \times 29 \text{mm}$

- ②  1PC  
 $\phi 5 \times 30 \text{mm}$




## Step 3

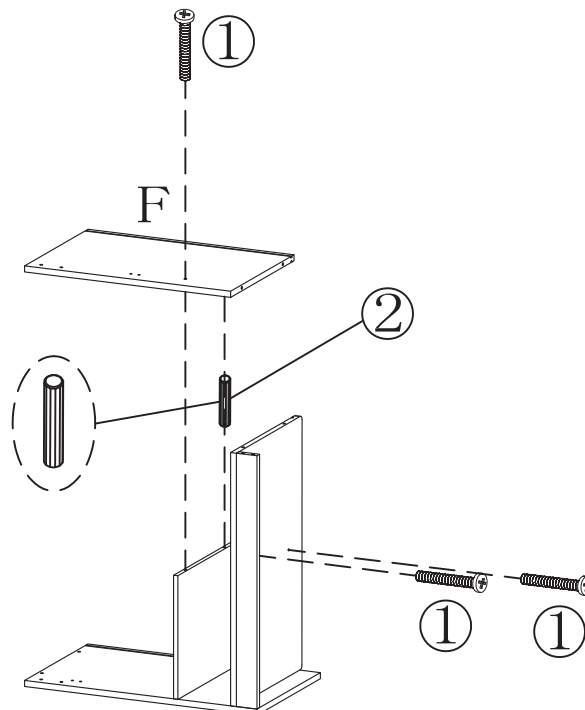
- ②  2PCS  
φ5×30mm



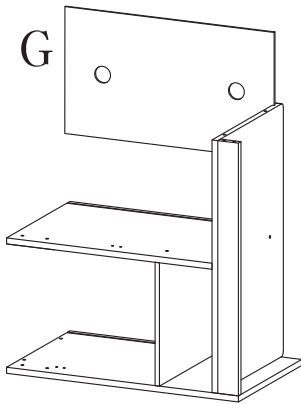
## Step 4

- ①  3PCS  
φ4×29mm


- ②  1PC  
φ5×30mm




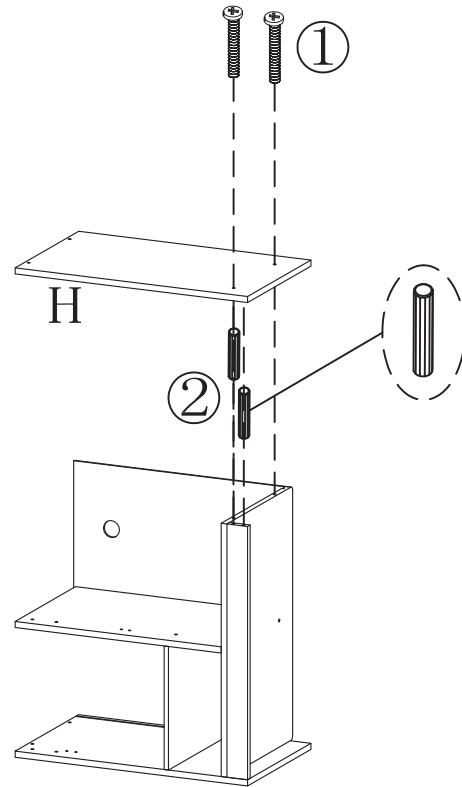
## Step 5




## Step 6

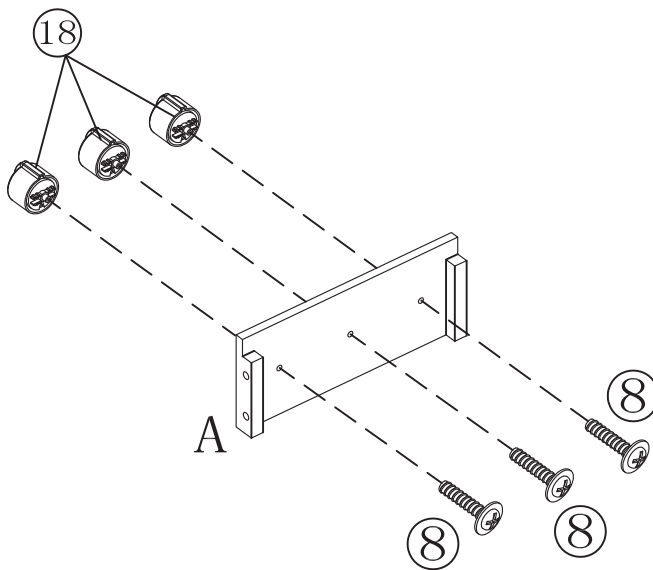
①  2PCS  
 $\phi 4 \times 29\text{mm}$

②  2PCS  
 $\phi 5 \times 30\text{mm}$




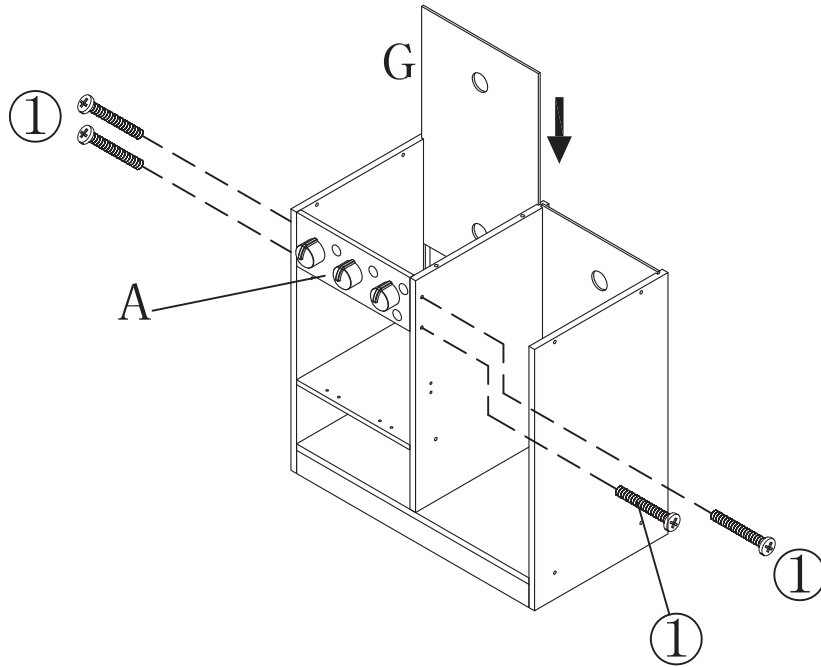
## Step 7

⑧  3PCS  
 $\phi 3 \times 10\text{mm}$




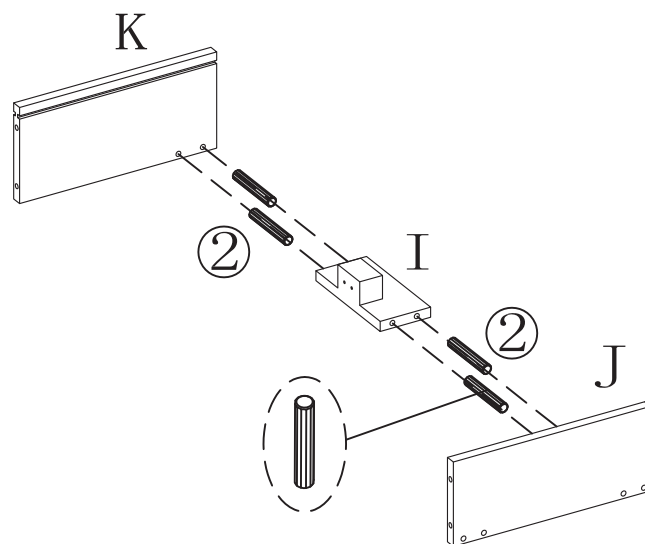
# Step 8

①  4PCS  
ø4×29mm




# Step 9

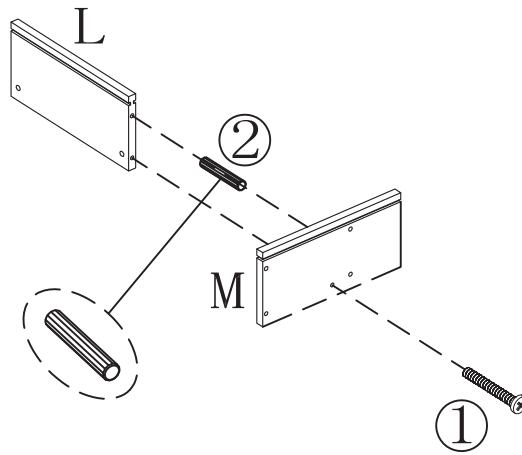
②  4PCS  
ø5×30mm



## Step 10


①  1PC  
φ4×29mm

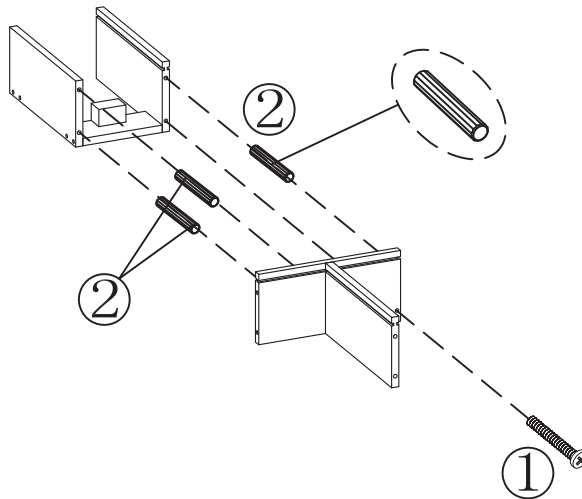
②  1PC  
φ5×30mm




## Step 11


①  1PC  
φ4×29mm

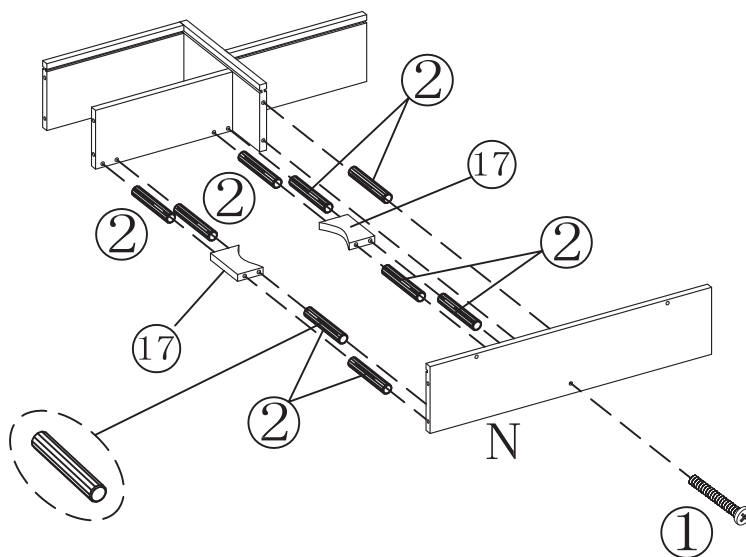
②  3PCS  
φ5×30mm



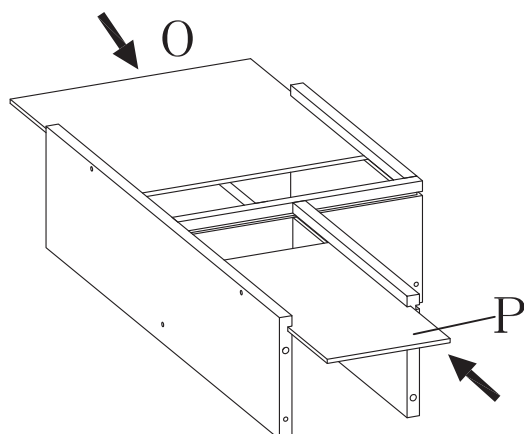
## Step 12

①  1PC  
φ4×29mm

②  9PCS  
φ5×30mm

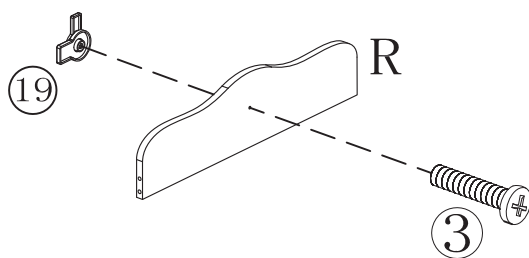


## Step 13




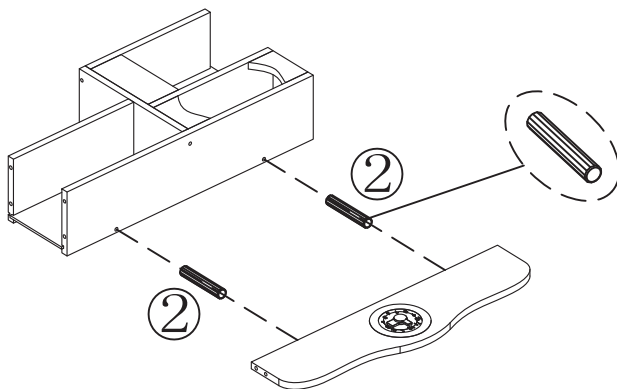
## Step 14

③  1PC  
Ø3×16mm





## Step 15

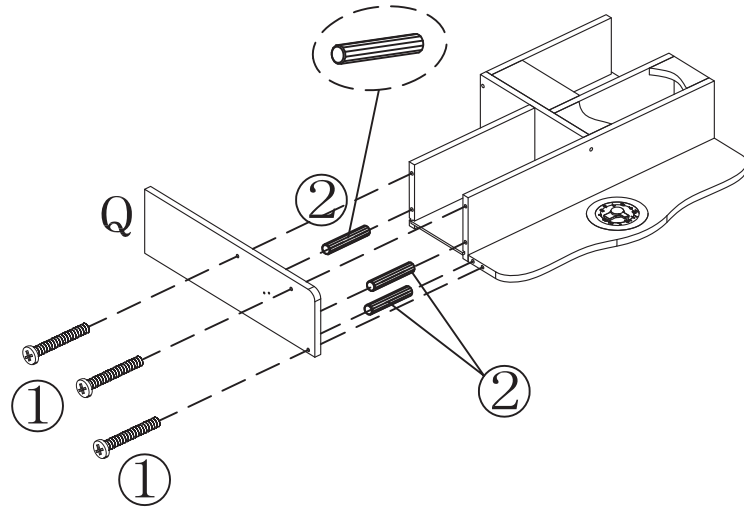
②  2PCS  
Ø5×30mm




## Step 16


①  3PCS  
φ4×29mm

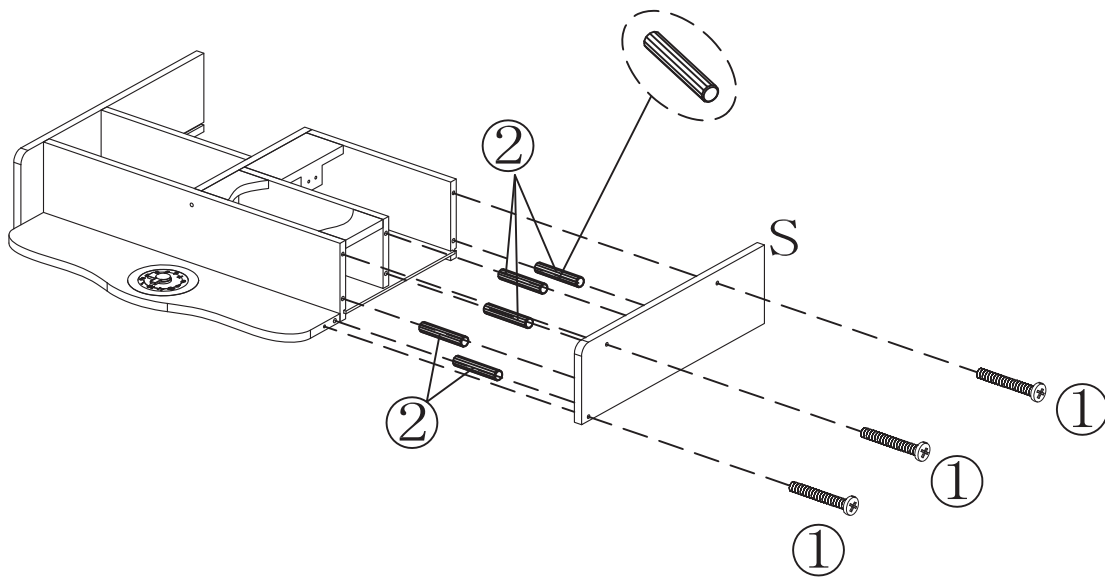
②  3PCS  
φ5×30mm



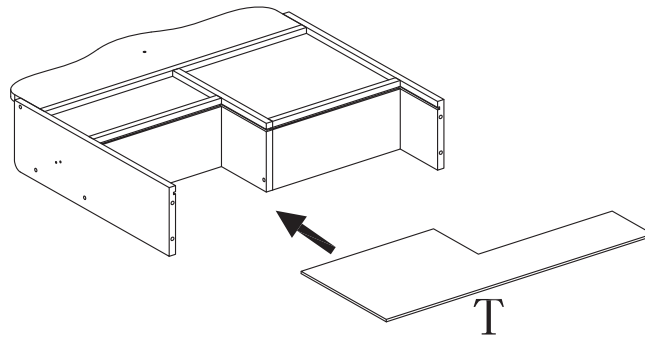
## Step 17

①  3PCS  
φ4×29mm




②  5PCS  
φ5×30mm

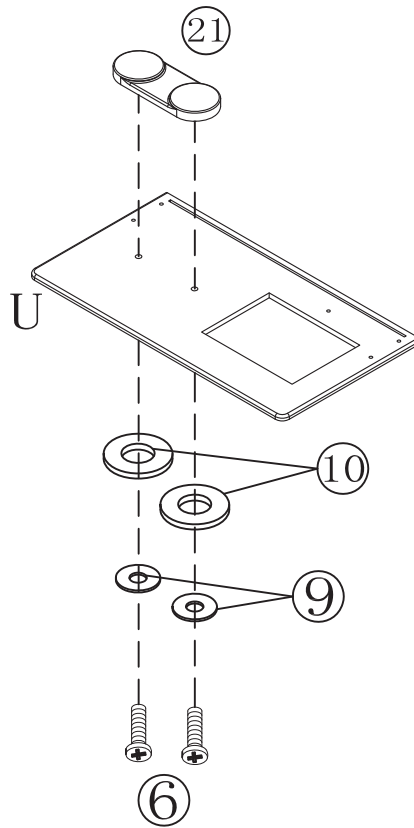


## Step 18




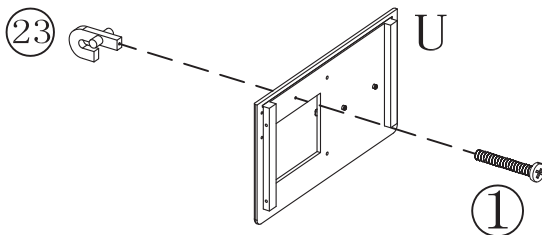
## Step 19

- |   |   |      |
|---|---|------|
| ⑥ |  | 2PCS |
| ⑨ |  | 2PCS |
| ⑩ |  | 2PCS |




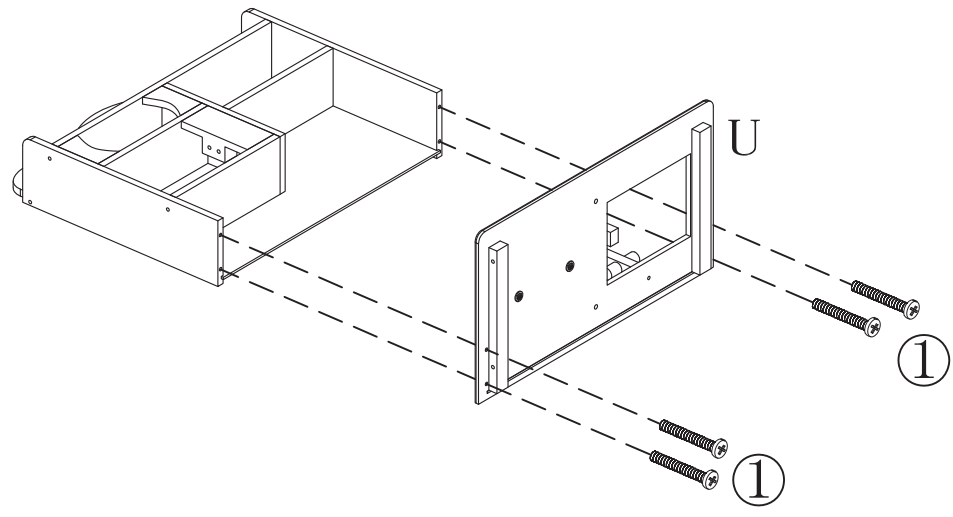
## Step 20

- |   |   |     |
|---|---|-----|
| ① |  | 1PC |
|---|---|-----|





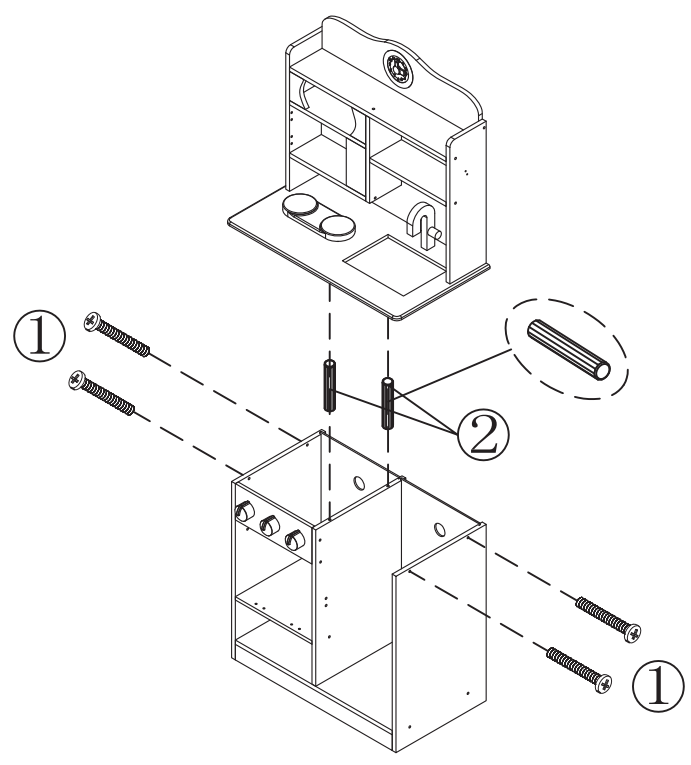
# Step 21

- ①  4PCS  
φ4×29mm



# Step 22

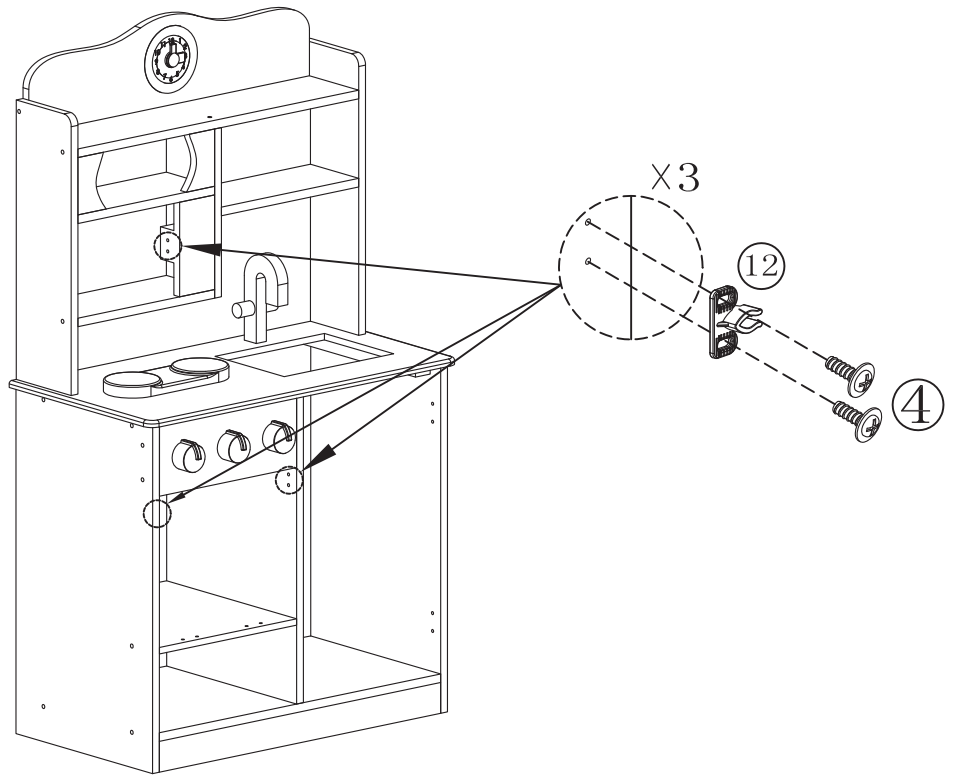
- ①  4PCS  
φ4×29mm
- ②  2PCS  
φ5×30mm



## Step 23

⑫ 3PCS

④  $\phi 3 \times 8\text{mm}$  6PCS



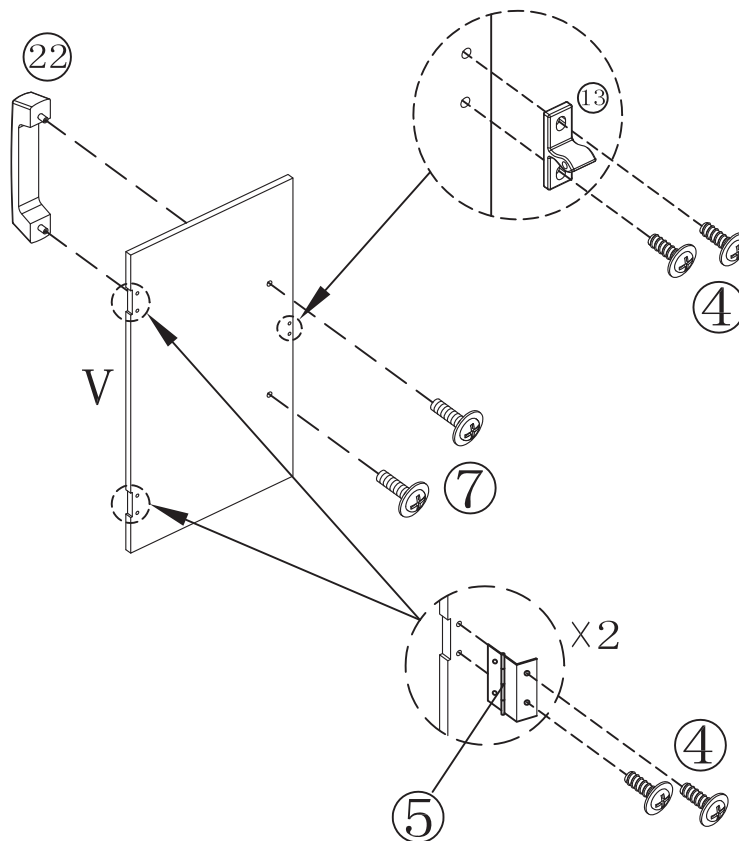
## Step 24

④  $\phi 3 \times 8\text{mm}$  6PCS





⑤ 2PCS

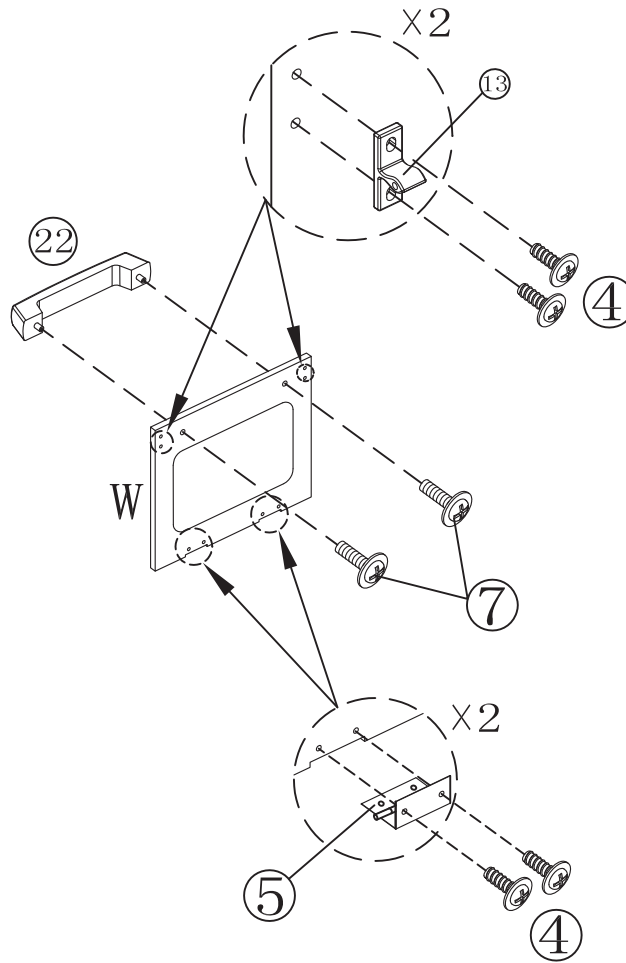
⑦  $\phi 4 \times 9\text{mm}$  2PCS

⑬ 1PC


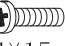




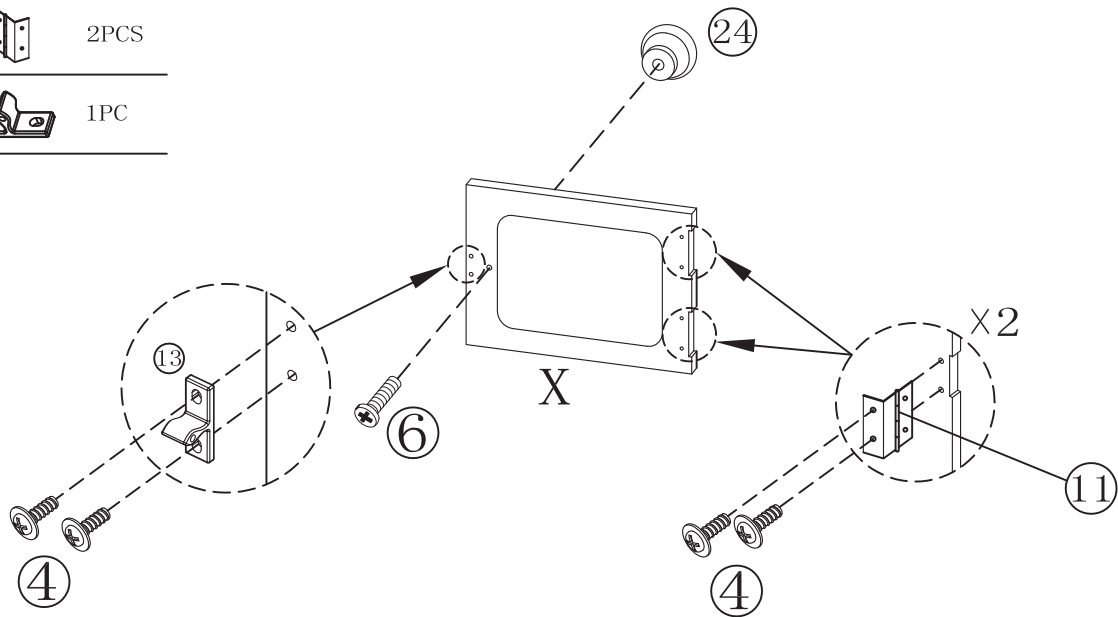
## Step 25

- ④  8PCS  
Ø3×8mm
- ⑤  2PCS
- ⑦  2PCS  
Ø4×9mm
- ⑬  2PCS



## Step 26

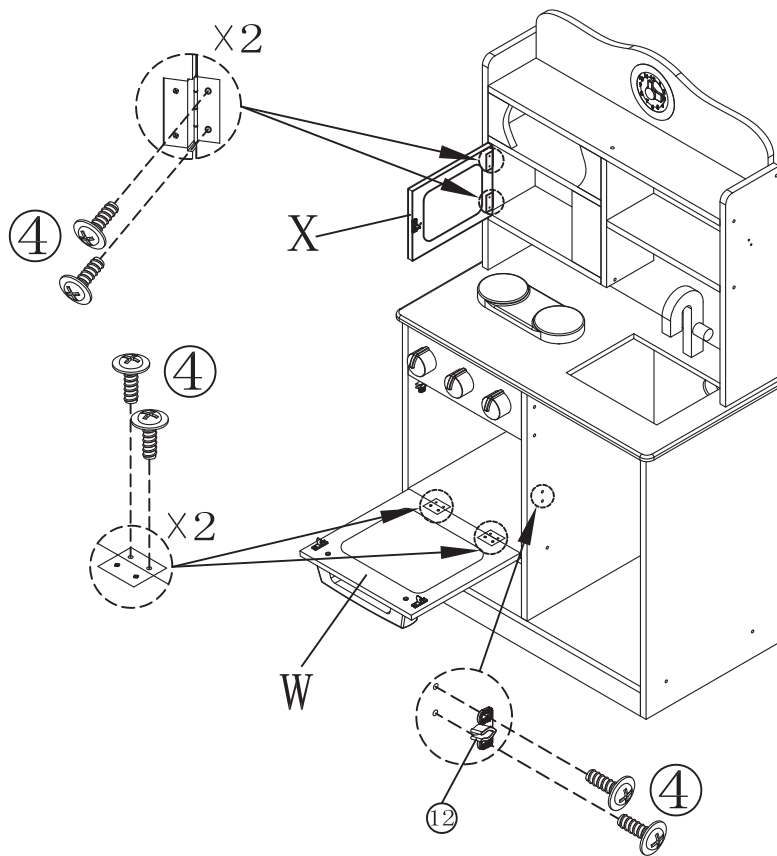
- ④  6PCS  
Ø3×8mm
- ⑥  1PC  
Ø4×15mm
- ⑪  2PCS
- ⑬  1PC



# Step 27

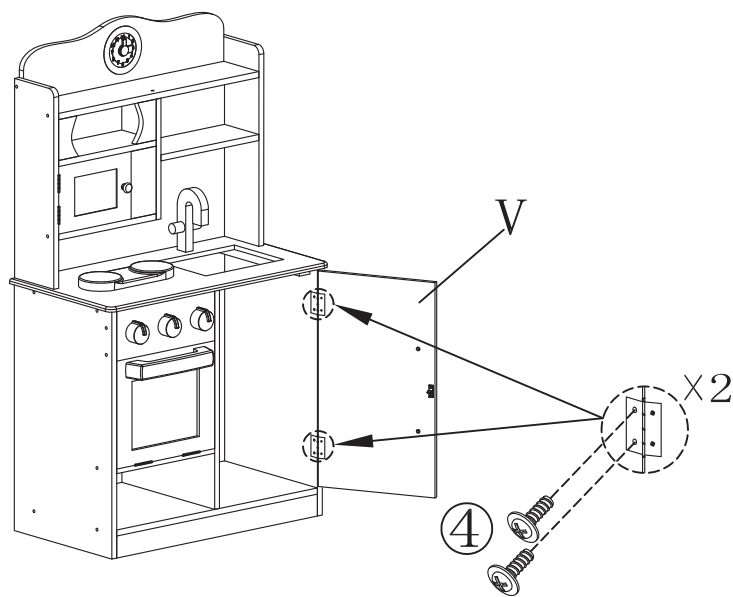
④  10PCS  
Ø3×8mm

⑫  1PC



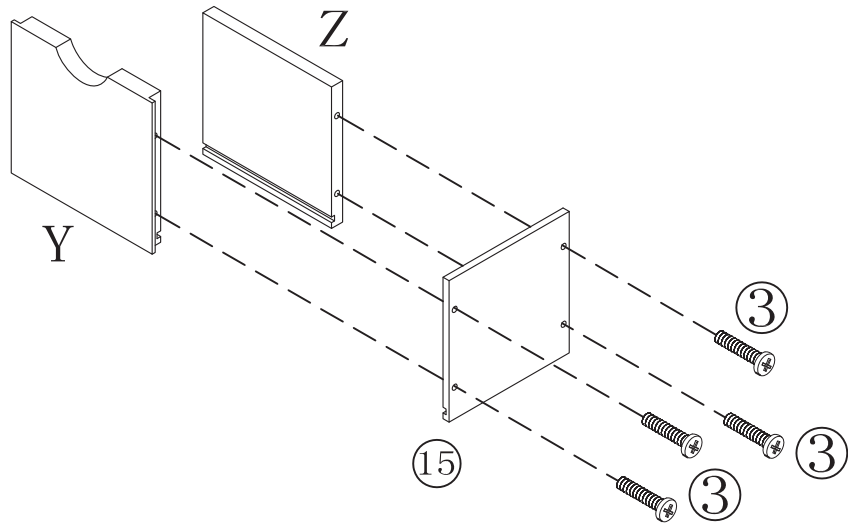
# Step 28

④  4PCS  
Ø3×8mm

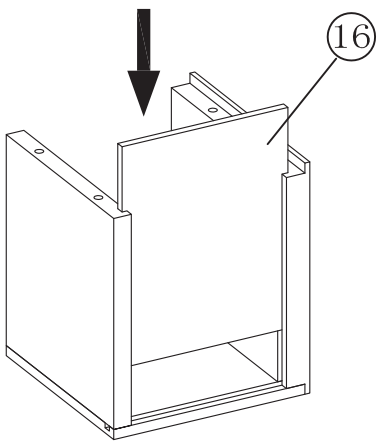


# Step 29

③  4PCS  
Ø3×16mm

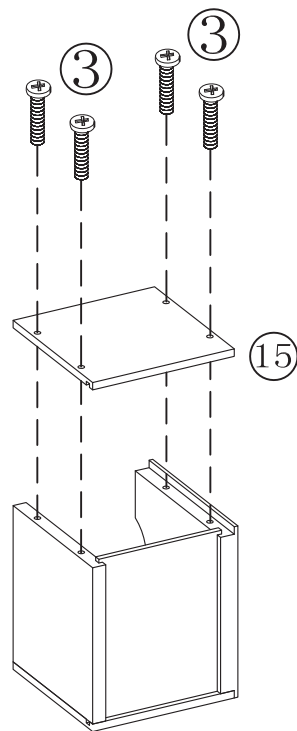


# Step 30



# Step 31

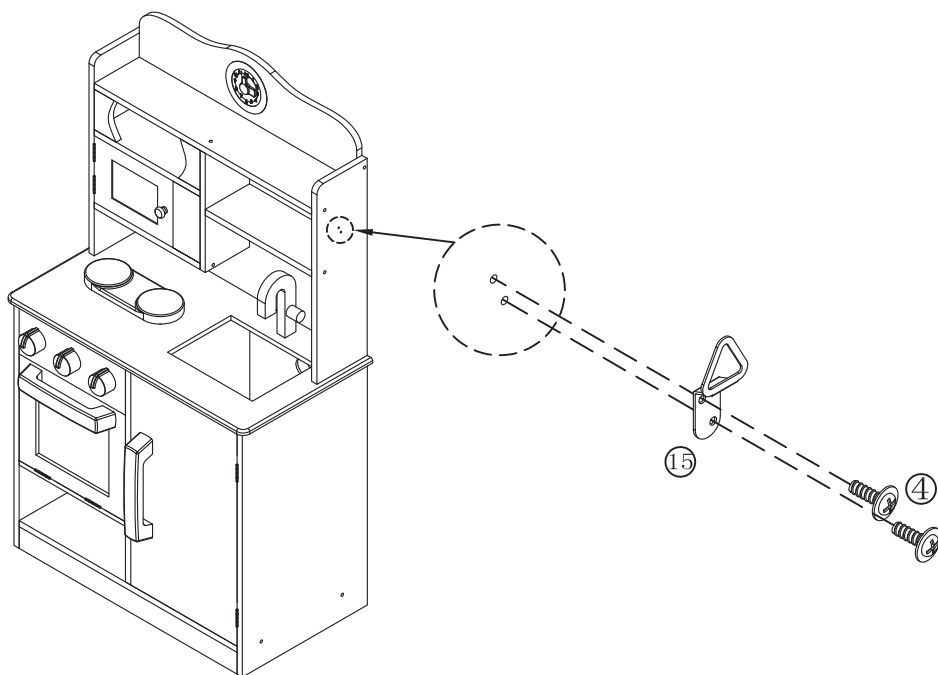
③  4PCS  
Ø3×16mm



## Step 32

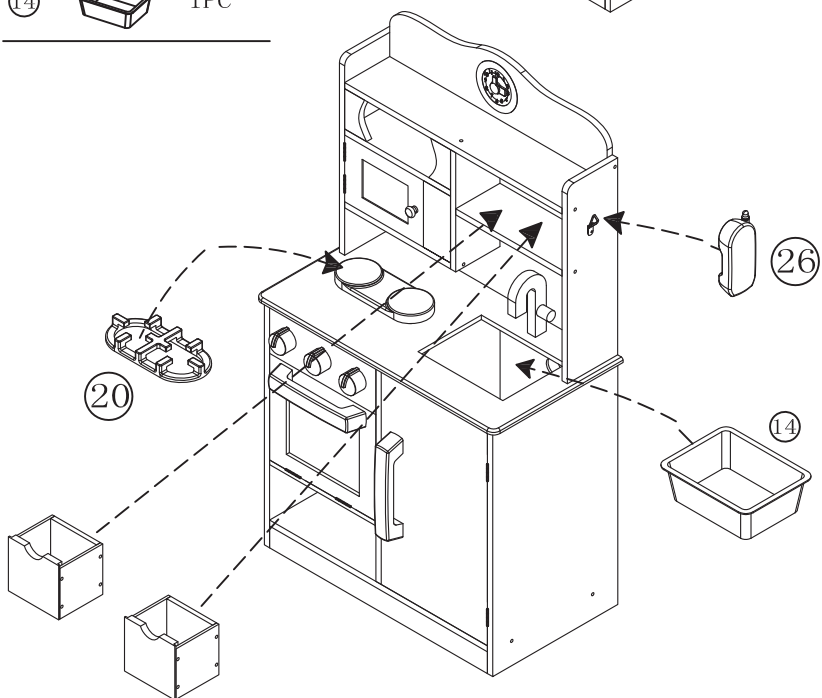
④  2PCS  
Ø3×8mm

⑮  1PC

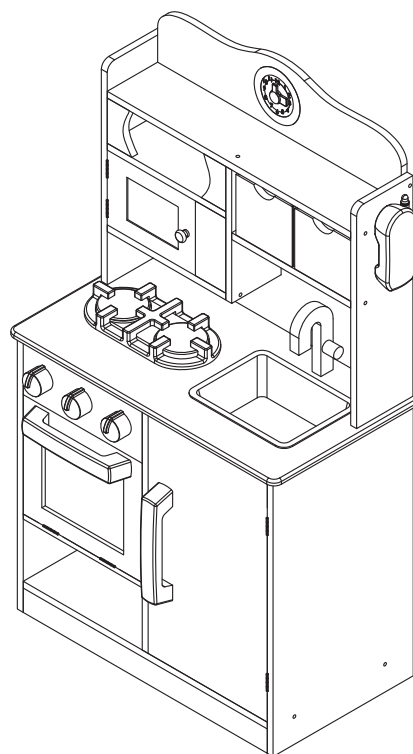


## Step 33

⑭  1PC



## Step 34



MADE IN CHINA