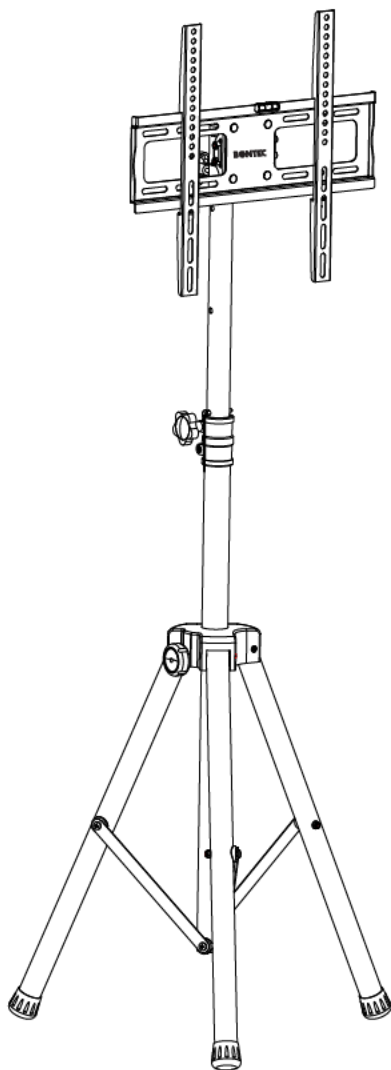


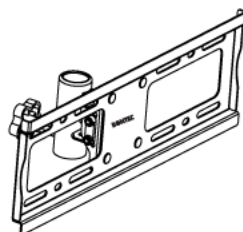
Installation Instruction



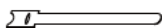
Parts List



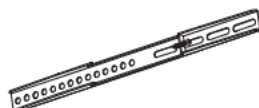
Pole Assembly



Head Assembly with TV Plate



cable tie
(x3)



TV Bracket (X2)

Hardware List



M4x30mm (x4)
A



M6x15mm (x4)
B



M6x30mm(x4)
C



M8x20mm(x4)
D



M8x50mm(x4)
E



(x4)
F



Ø8.5x18x5mm(x8)
G



Ø8.5x18x10 mm (x8)
H



M (x1)

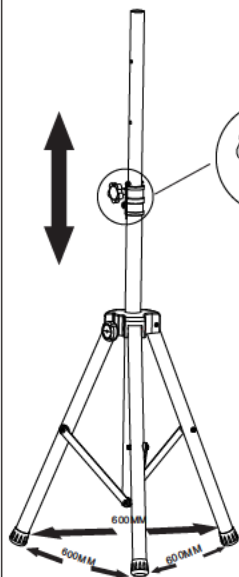


J (x1)



K (x1)

STEP 1 Adjust the Height of Pole

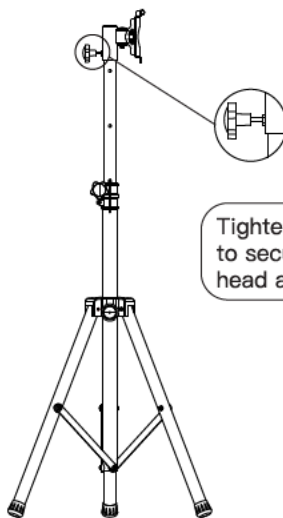
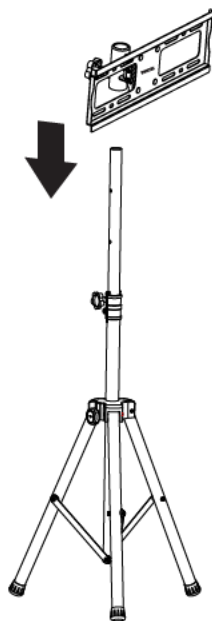


CAUTION:
DISTANCE BETWEEN EACH
FOOT MUST BE 600mm/23.6in.

Warning:
After adjusting the pole to
desired height, insert the
latch to the holes on the
upper pole. Fasten the knob
to hold upper pole.

**CAUTION: TO AVOID ANY
INJURIES, PLEASE TAKE OFF
TV SET BEFORE MAKING
HEIGHT ADJUSTMENT**

STEP 2 Secure the Head Assembly with TV Plate to Pole Assembly

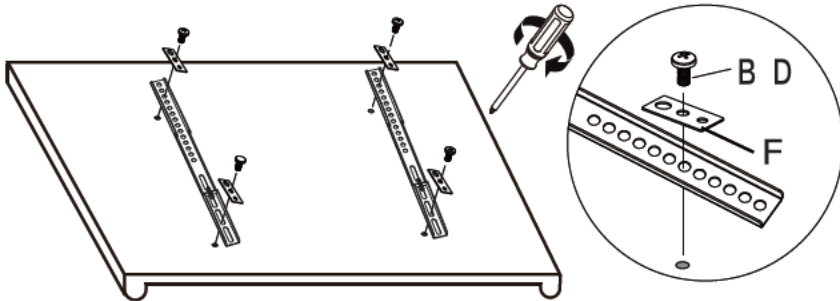


Tighten the knob
to secure the
head assembly.

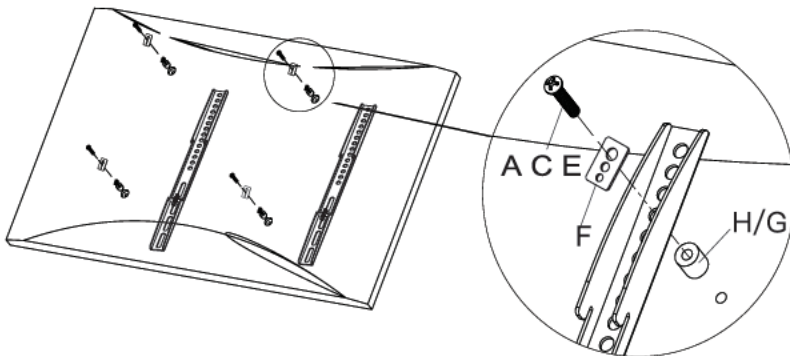
STEP 3 Secure the TV Brackets to Your TV

FLAT BACK TV (UNIVERSAL MONITOR PLATE)

Screwdriver(Not included)

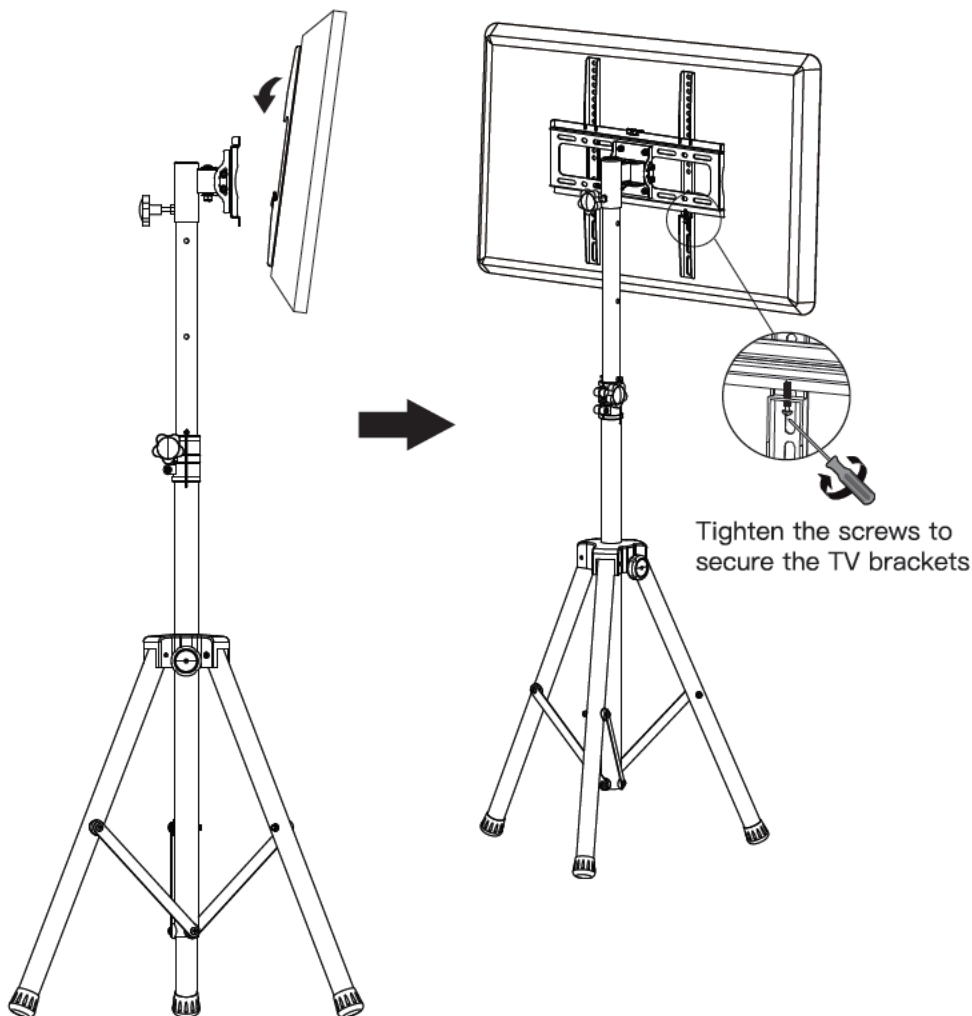


ROUND BACK TV (UNIVERSAL MONITOR PLATE)



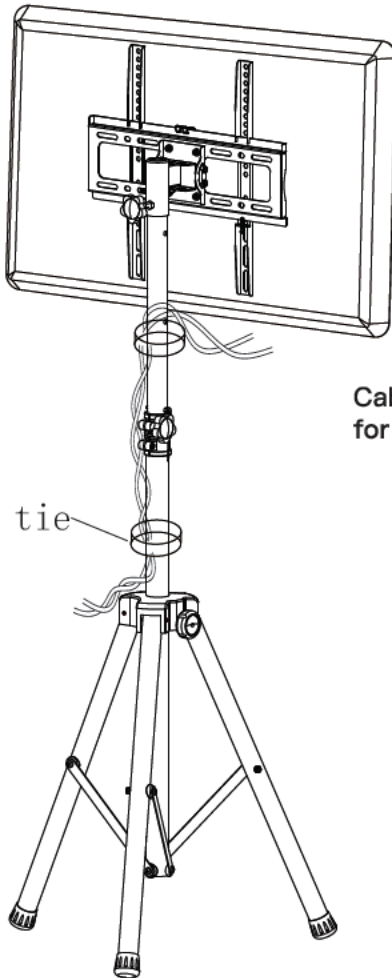
First, make sure the diameter of the bolt(A–E) fits your TV. Then, please see the diagram above. You will need to thread the bolts into the TV using the correct washers(F) and spacers (G or H) if necessary with a screwdriver(Not included). Please make sure the monitor brackets are vertically centered and level with each other.

STEP 4 Secure the TV onto the Plate



STEP 5 Cables Management

CAUTION: TO AVOID ANY INJURIES, PLEASE TAKE OFF TV SET BEFORE MAKING HEIGHT ADJUSTMENT

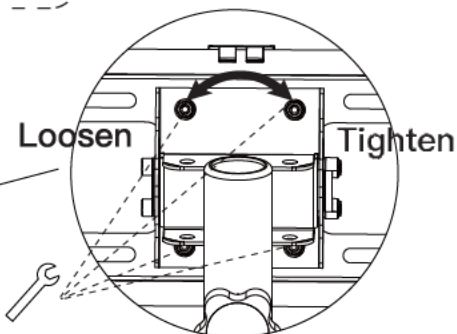
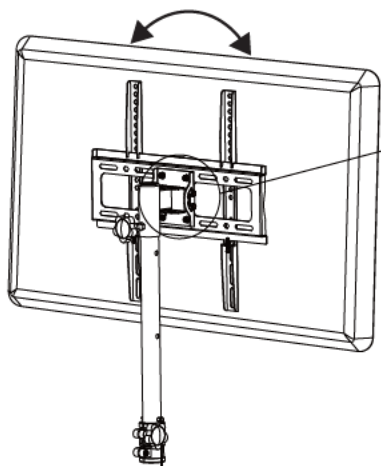


Cable organizers are used for cables management

Cable tie

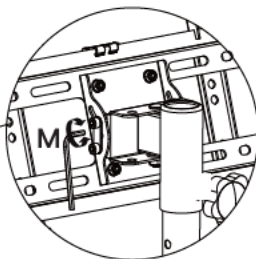
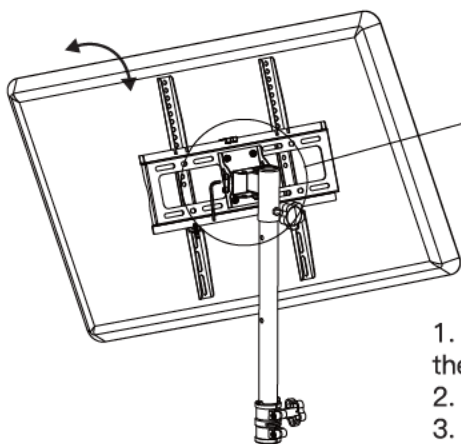
STEP 6 Adjustments

Warning: Do not over-loosen the nuts and screws to prevent the TV from falling down.



Level Adjustment

1. Loosen the four nuts on the rear of the plate.
2. Level your TV.
3. Retighten both nuts to hold TV in place.



Tilt Adjustment

1. Loosen the four screws on the rear of the plate.
2. Adjust the TV to the desired tilting angle.
3. Fasten the screws to hold the tilting angle of the TV.