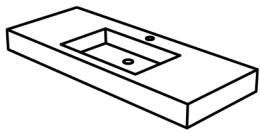


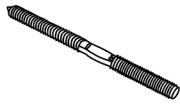
PRODUCT ASSEMBLY INSTRUCTIONS

[Product Model: FS140-1200 (Black)]

List :



Solid Surface Bathroom Sink



Bolt x4



Nut x4

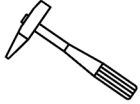


Metal Washer x4

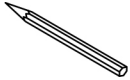


Expansion sleeve x4

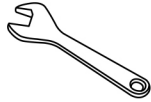
Tools Required :



A



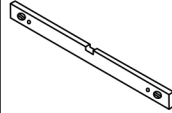
B



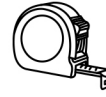
C



D



E



F

A Hammer

B Pencil

C Wrench

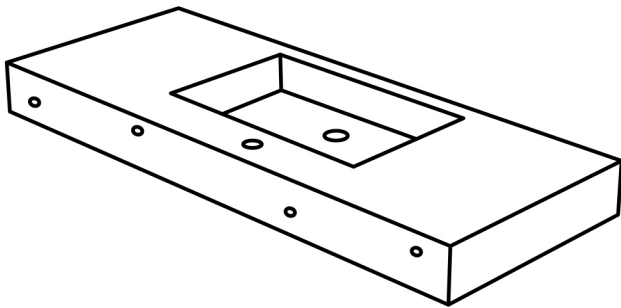
D Electrodrill

E Gradienter

F Steel tape

Installation Steps : 1

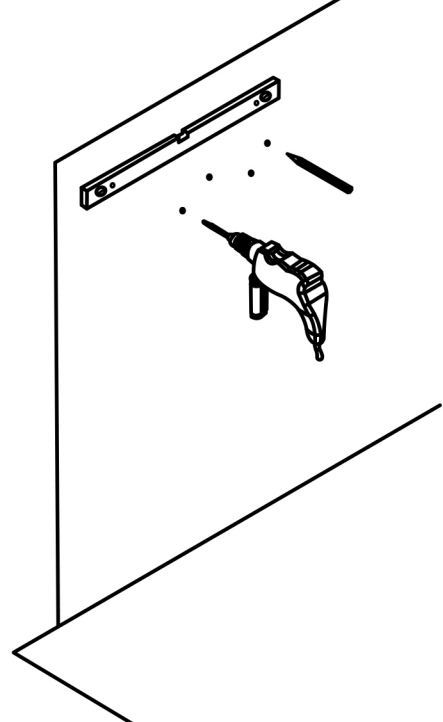
Determine the mounting holes based on the holes in the back of the basin and mark the wall with a pencil (33"-36" is preferred for countertop height).



[The back of the product]

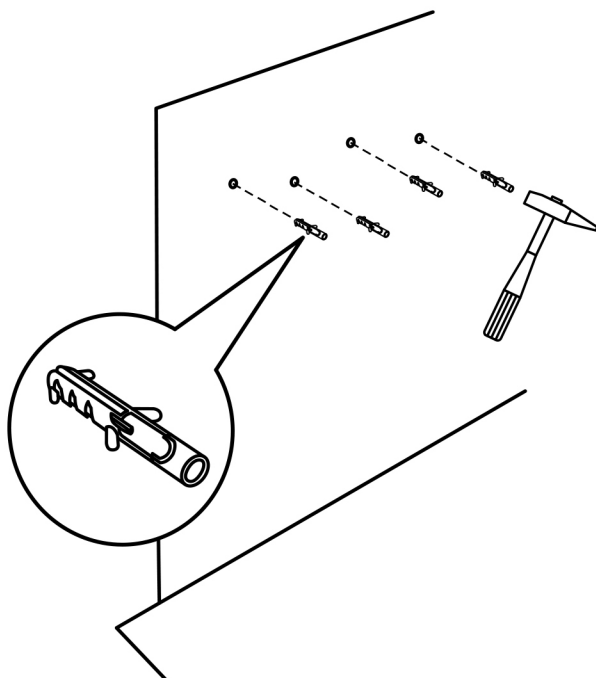
Installation Steps : 2

Drill the hole at the mark with electric drill.



Installation Steps : 3

Knock the white rubber plug of wall-hung accessories into pre-drilling hole with hammer.



Installation Steps : 4

Hold the basin and use a spanner to lock the basin to the wall.

