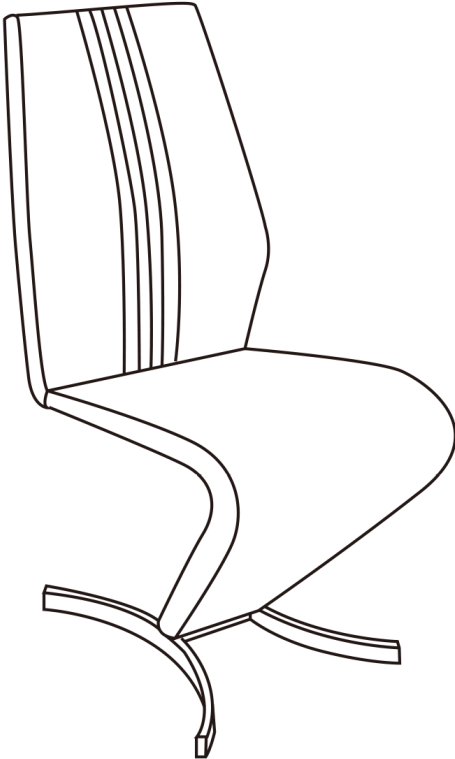


ASSEMBLY GUIDE



Important - Please read these instructions fully before starting assembly



**SAFETY AND
CARE ADVICE**



NO POWER TOOLS

SAFETY AND CARE ADVICE

- Check you have all the components and tools listed.
- Remove all fittings from the plastic bags and separate them into their groups.
- We do not recommend the use of power drills/drivers for inserting screws, as this could damage the unit. Only use hand screwdrivers and Allen keys.
- Keep children and animals away from the work area, small parts could cause choking if swallowed.
- Make sure you have enough space to layout the parts before starting.
- Assemble the item as close to its final position (in the same room) as possible.
- Do not overtighten the nuts to avoid causing damage to the threads.
- Only clean using a damp cloth and mild detergent, do not use bleach or abrasive cleaners.
- From time to time check that there are no loose screws on this unit
- This product should not be discarded with household waste. Take to your local authority waste disposal centre

IMPORTANT INFORMATION



ONE
PERSON

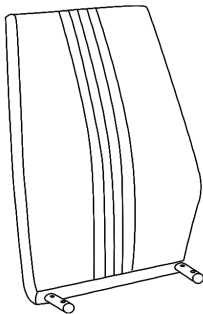


30 MINUTE
BUILD

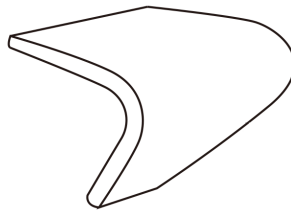


MAXIMUM
CAPACITY 130Kg

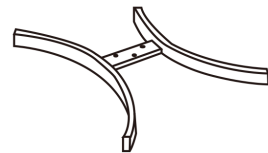
PLEASE CHECK CAREFULLY AND MAKE SURE YOU HAVE ALL FITTINGS AND TOOLS LISTED BELOW BEFORE YOU START.











1 Back rest x 1



2 Leg frame x 1



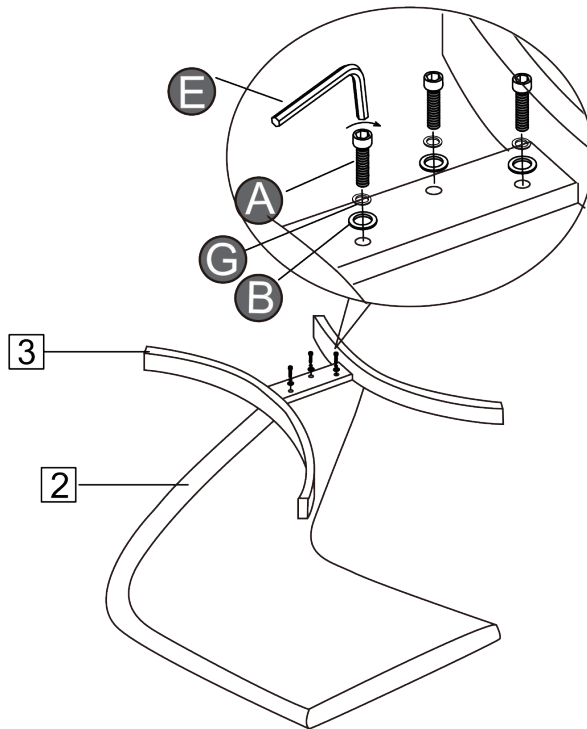
3 Foot x 1

<p>A</p>  <p>M8x20mm Allen Screw X3</p>	<p>B</p>  <p>M8x22mm Metal Washer X3</p>	<p>C</p>  <p>M6x18mm Allen Screw X4</p>	<p>D</p>  <p>M6x16mm Metal Washer X4</p>
<p>E</p>  <p>M6 mm Allen Key X1</p>	<p>F</p>  <p>M4 mm Allen Key X1</p>	<p>G</p>  <p>M8x12mm Spring Washer X3</p>	<p>H</p>  <p>M6x10mm Spring Washer X4</p>

NOTE: The quantities above are the correct amount to complete the assembly.
In some cases more fittings may be supplied than are required.

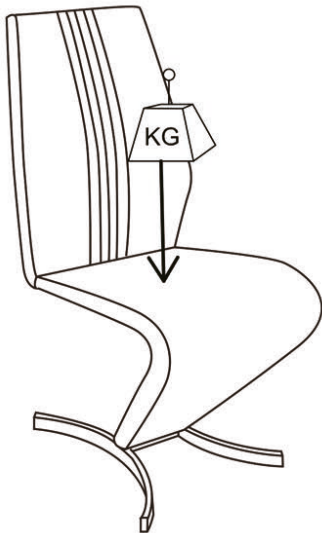
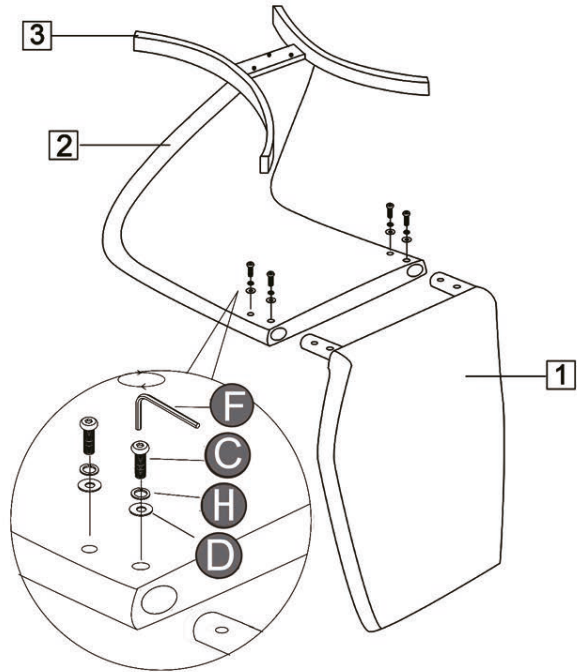
STEP 1

Place the leg frame [2] seat face down on a flat raised surface. Using fixings (A), (B) & (C) tighten the foot [3] onto the leg frame [2].



STEP 2

Insert the back rest [1] into the seat pad. Using fixings (C), (D) & (H) tighten onto the seat pad.



STEP 3

Sit on the chair and fully tighten all bolts.



OUR 1 YEAR GUARANTEE

our products come with a 1 year guarantee to give you peace of mind shopping



WHAT THE GUARANTEE COVERS



PRE-INSERTED FIXINGS
e.g. lose metal threads



FAULTY JOINTS
e.g. legs bending



EXTERNAL FIXING FAULTS
e.g. metal discs removing
from table top



STRUCTURAL INTEGRITY
e.g. the frame of the
product