

Cabinet

Product ID. 7A5H6

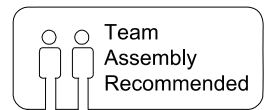
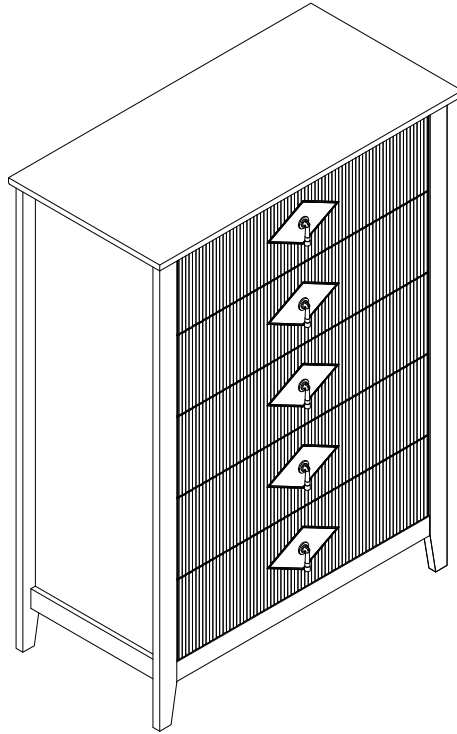


Scan for Support
support@garvee.com



Distributed by
GARVEE.com

Garveehome Assembly Instruction



Trouble shooting:

Missing / Wrong / Broken parts and installation issues



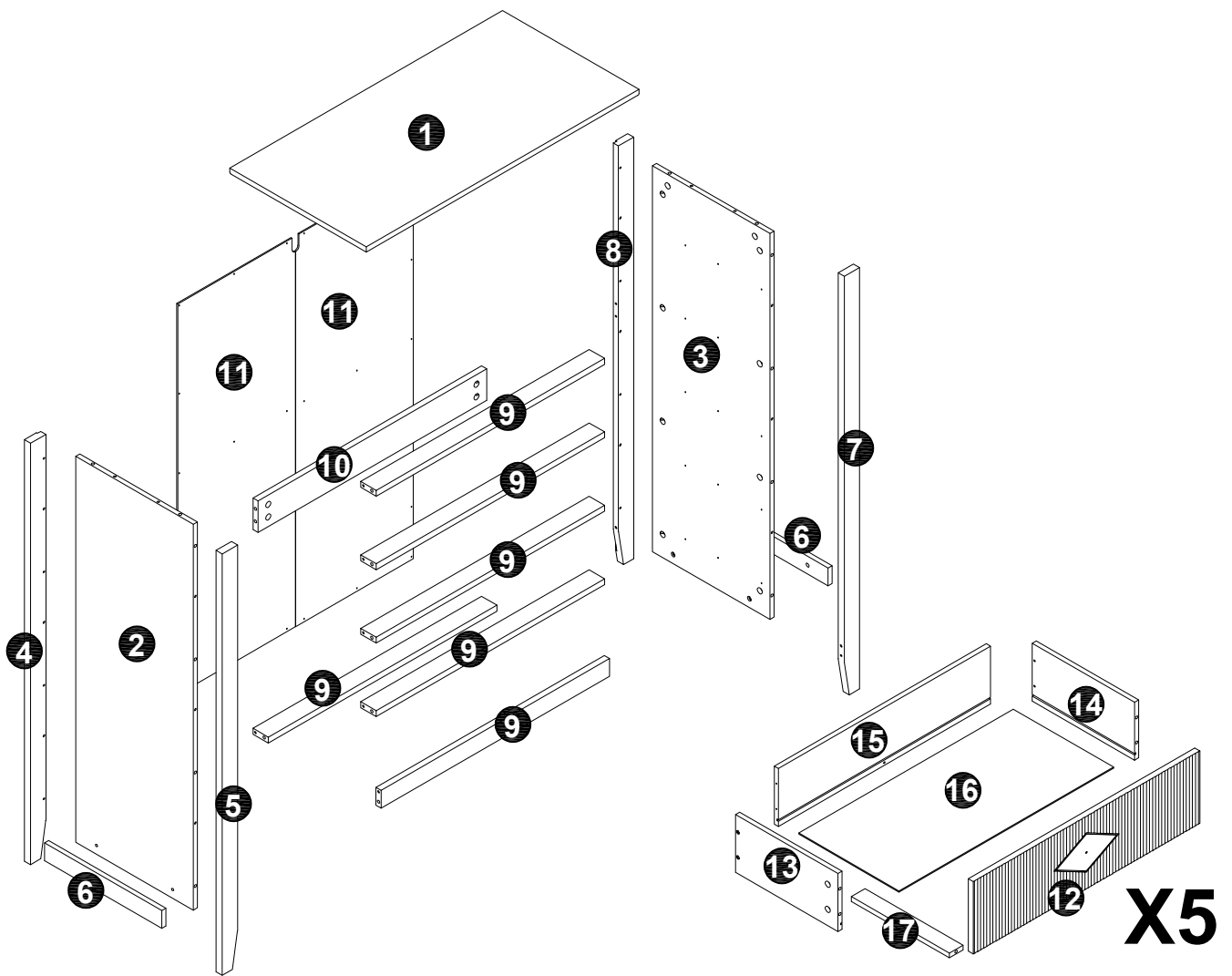
Send email with your question, pic and order NO. to
support@garvee.com



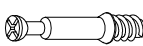
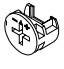




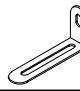
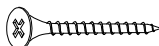
Respond within 24 hours





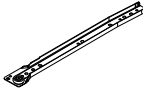
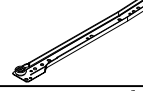
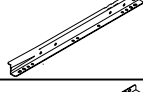
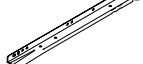


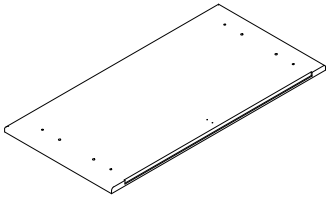
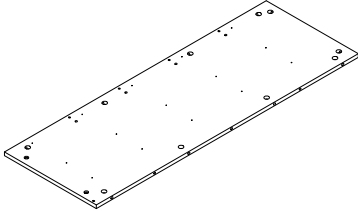
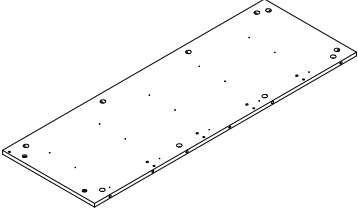
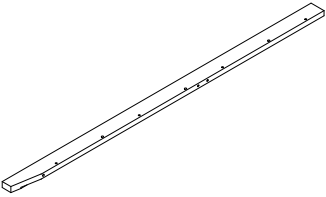
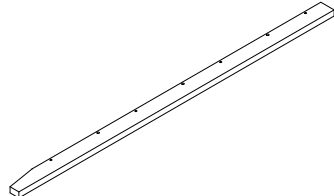
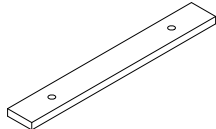
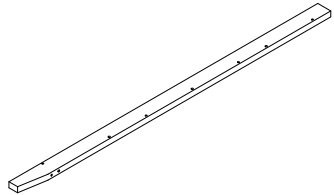
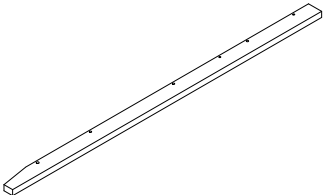
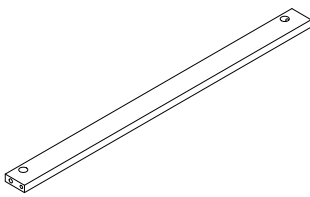
Issue resolved

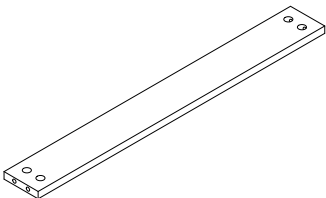
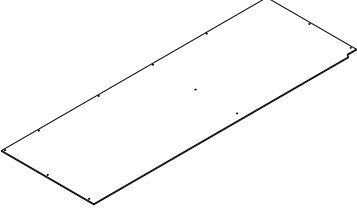
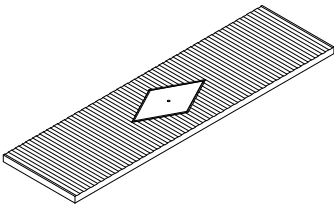
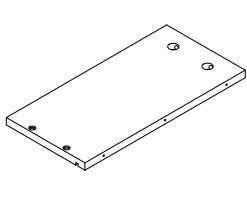
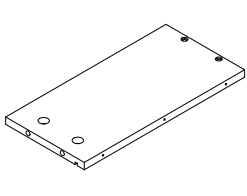
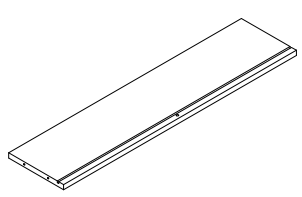
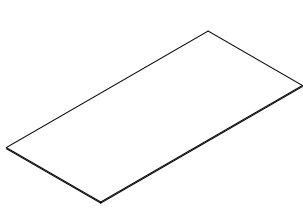
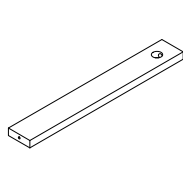


Screws & Tools

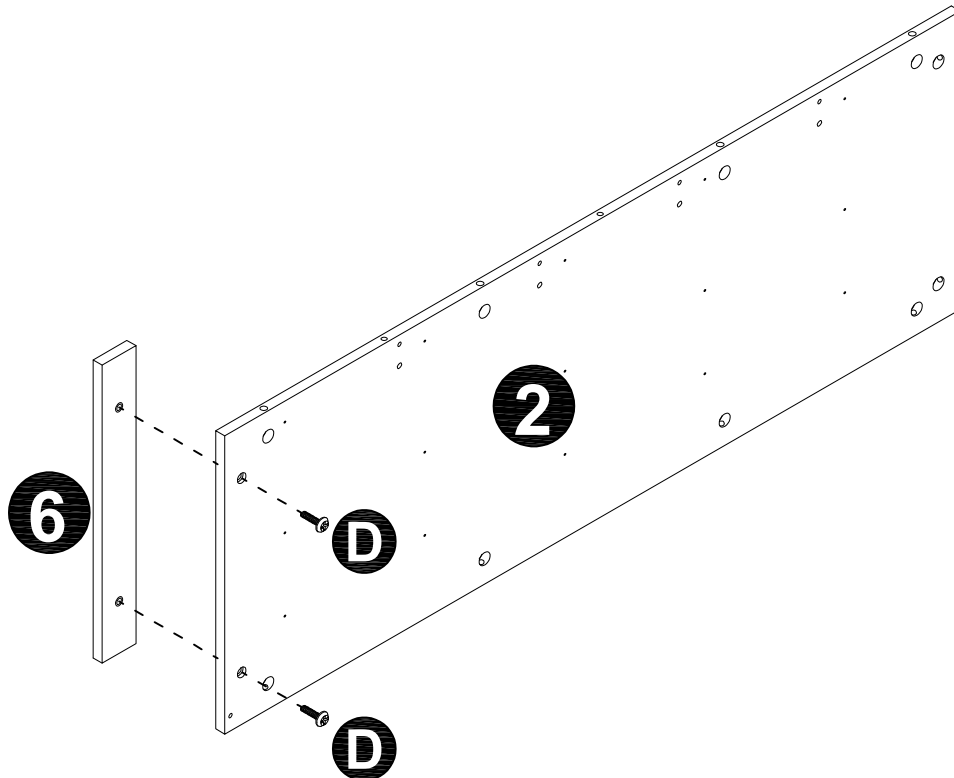
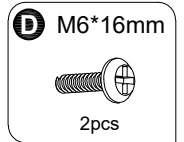
A	 M6*35mm	X61
B	 Ø 15x9.5mm	X61
C	 Ø 6*30mm	X28
D	 M6*16mm	X4
E	 M 3*12mm	X60
F	 M 4*12mm	X2
G		X1
H	 M 4*35mm	X26

J	 M 4*18mm	X5
K		X5
L	 Ø 2.5*10mm	X24
M		X1
CL	 300mm	X5
CR	 300mm	X5
DL	 300mm	X5
DR	 300mm	X5

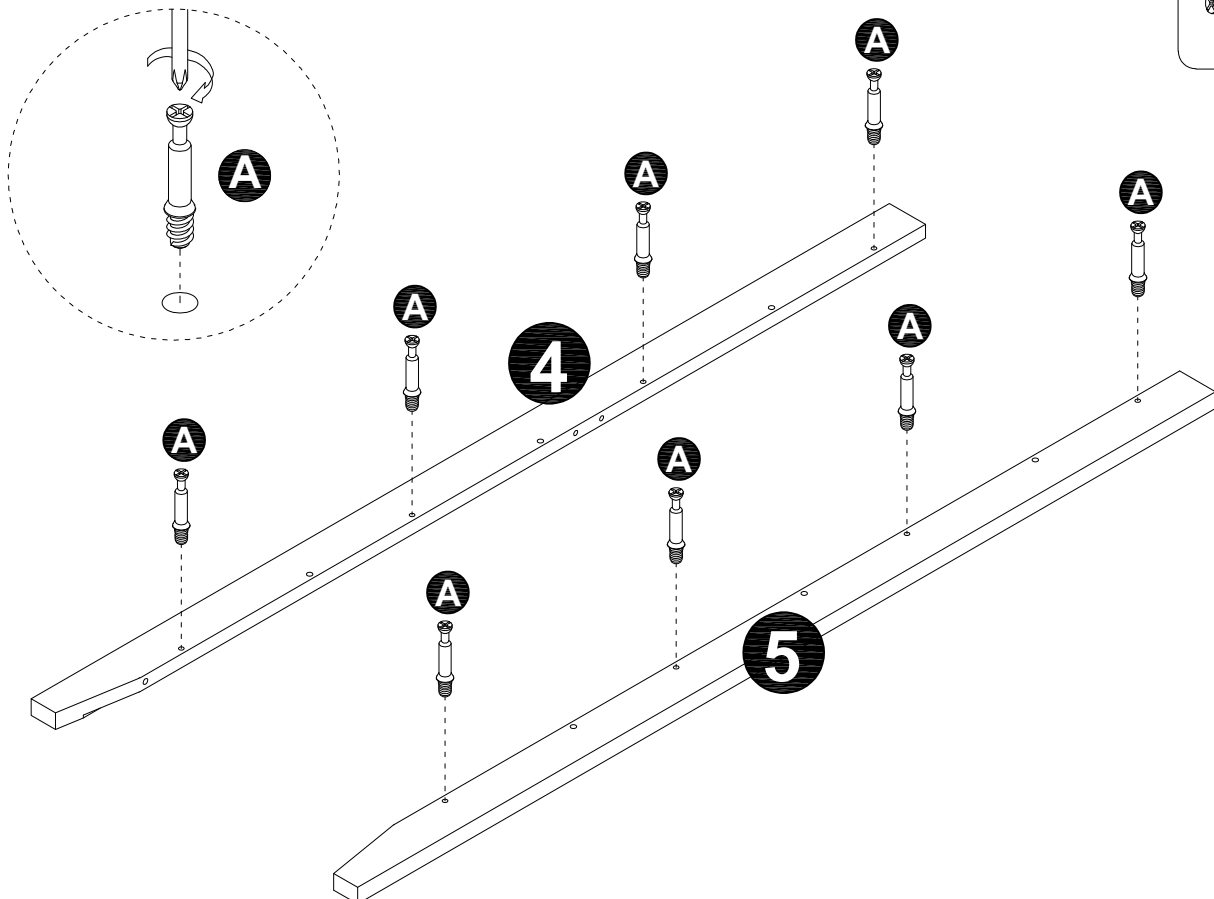
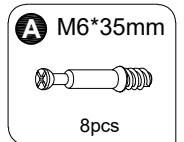
1		X1
2		X1
3		X1
4		X1
5		X1
6		X2
7		X1
8		X1
9		X6

10		X1
11		X2
12		X5
13		X5
14		X5
15		X5
16		X5
17		X5

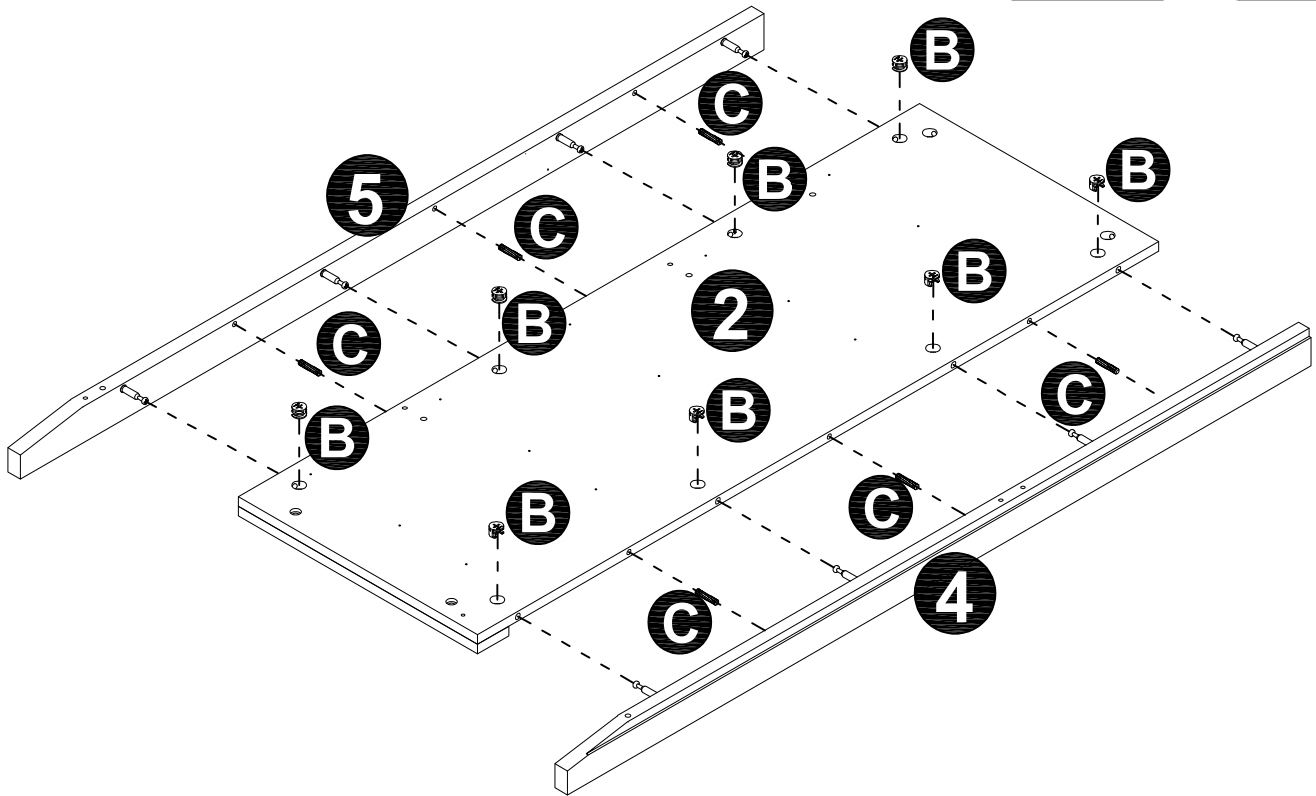
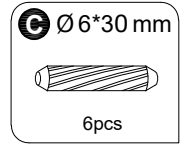
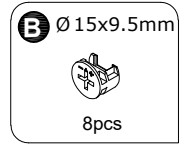
Step 1



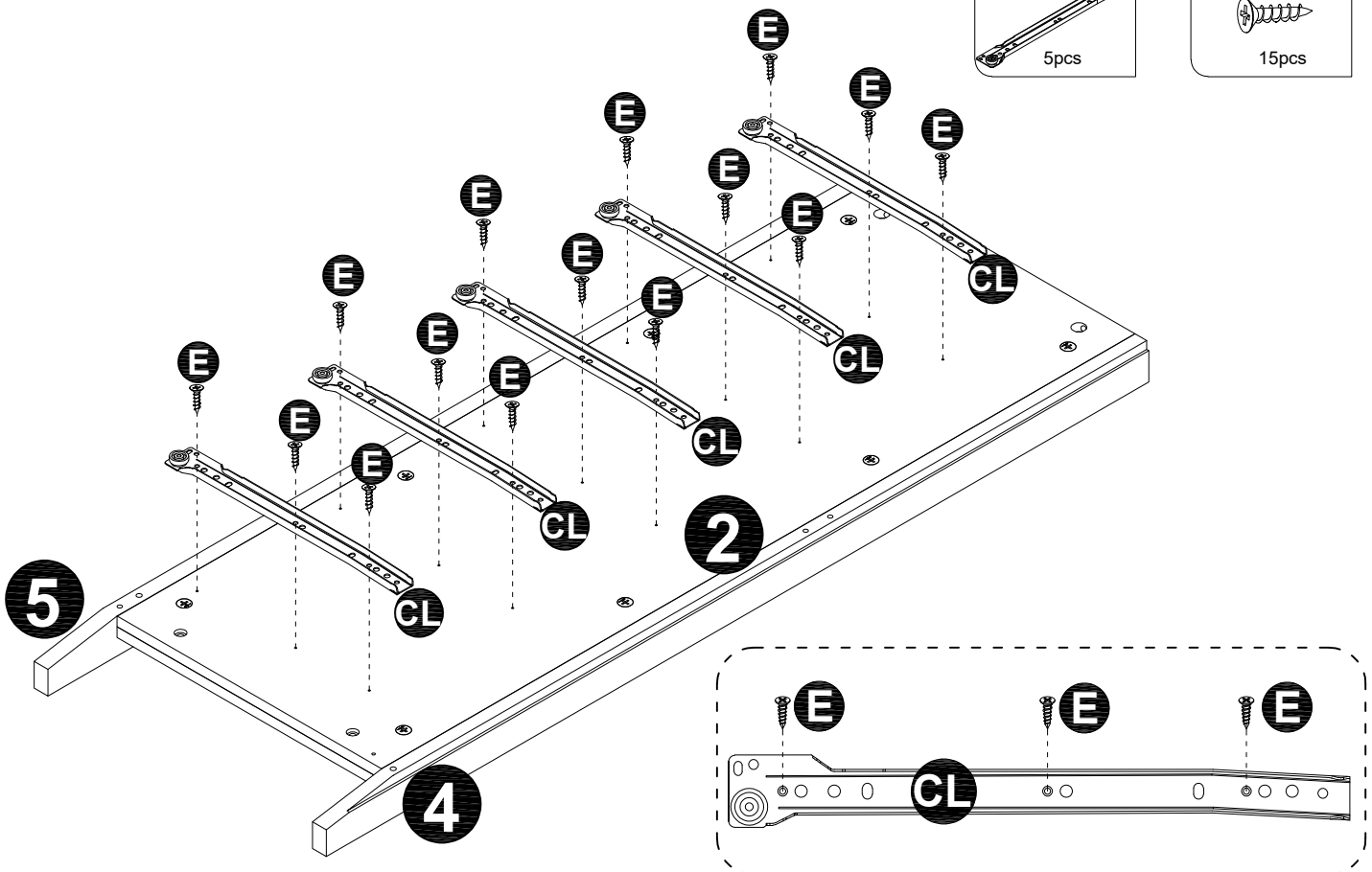
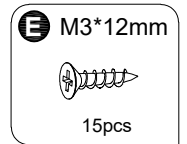
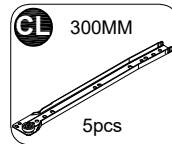
Step 2



Step 3

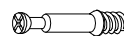


Step 4

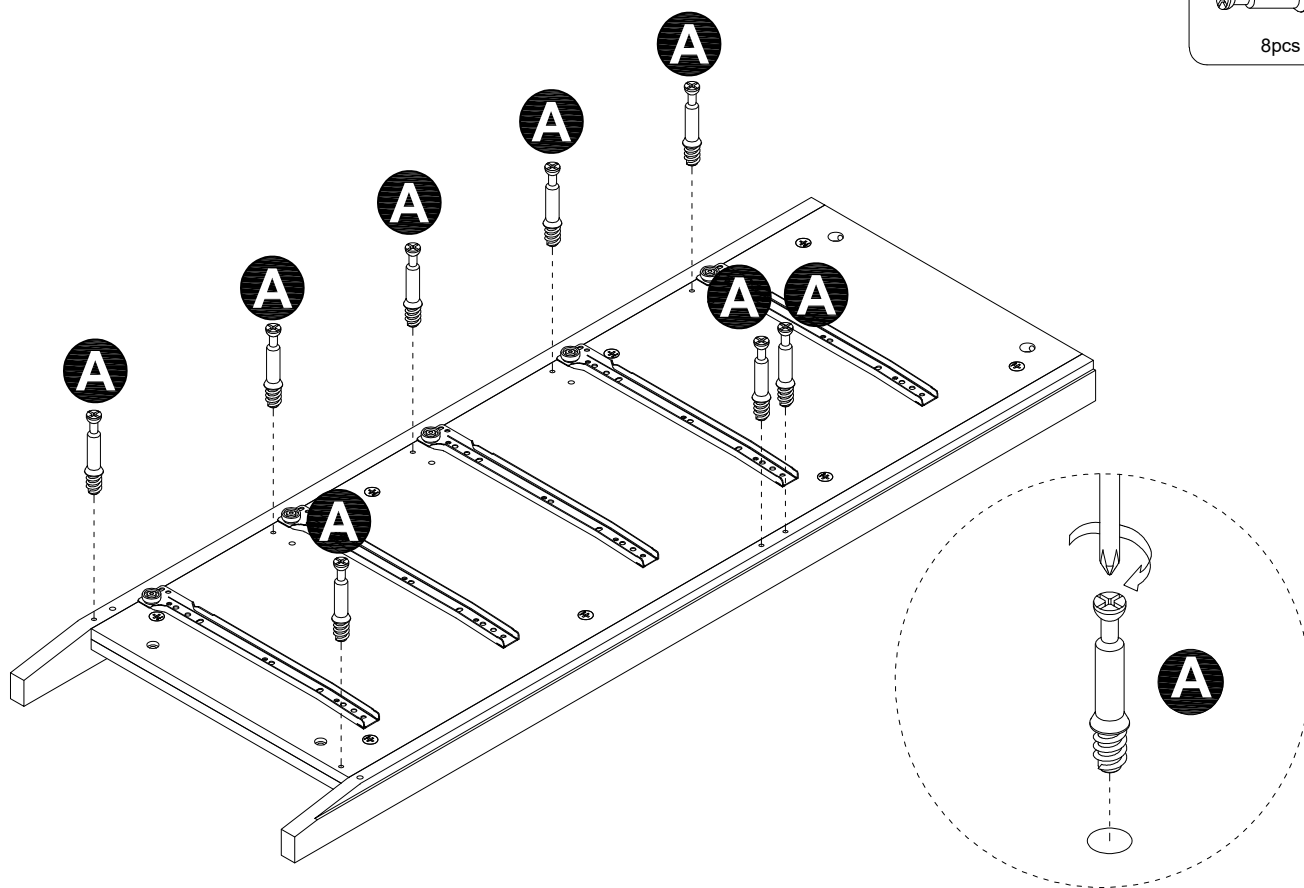


Step 5

M6*35mm



8pcs



Step 6

B Ø 15x9.5mm

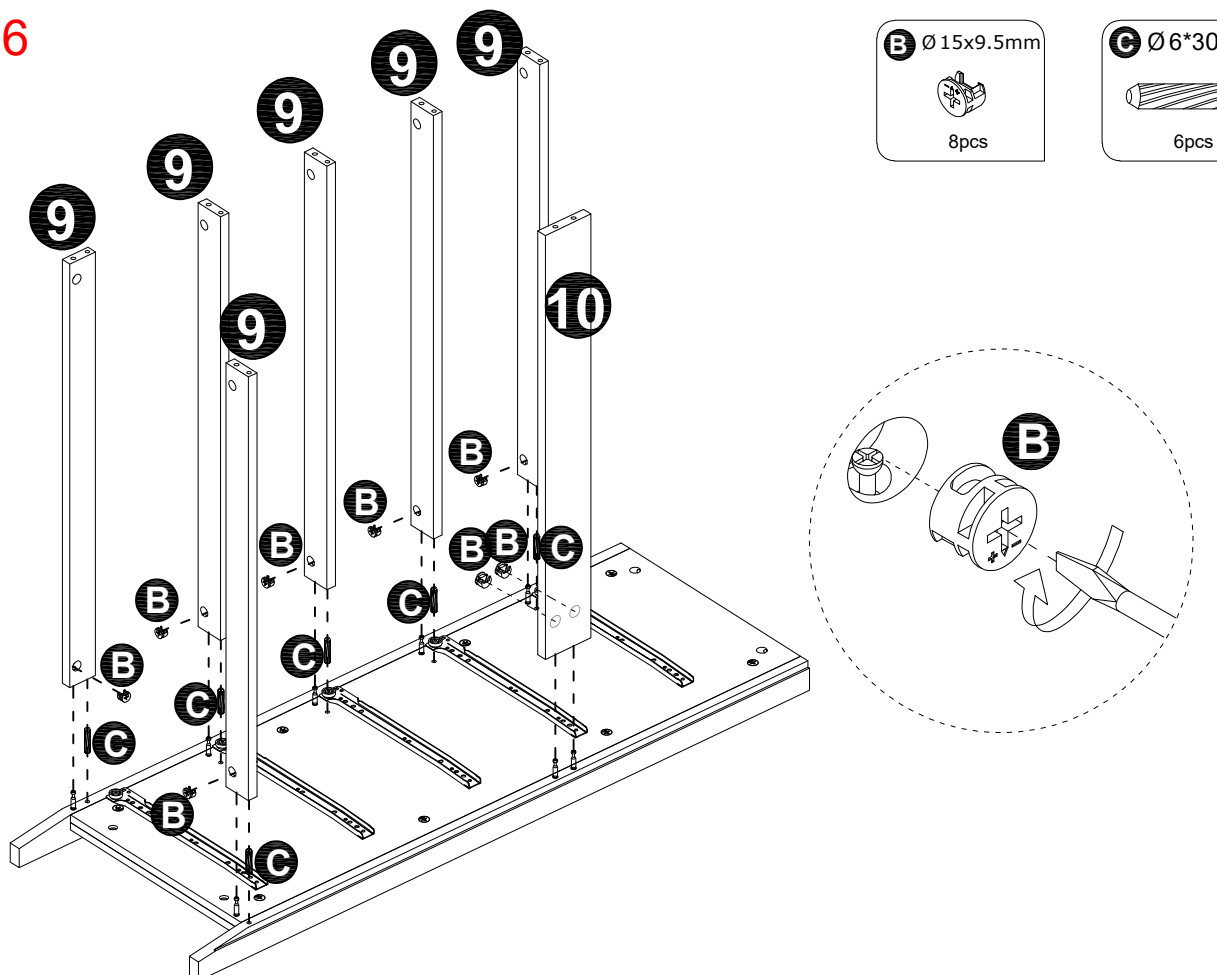


8pcs

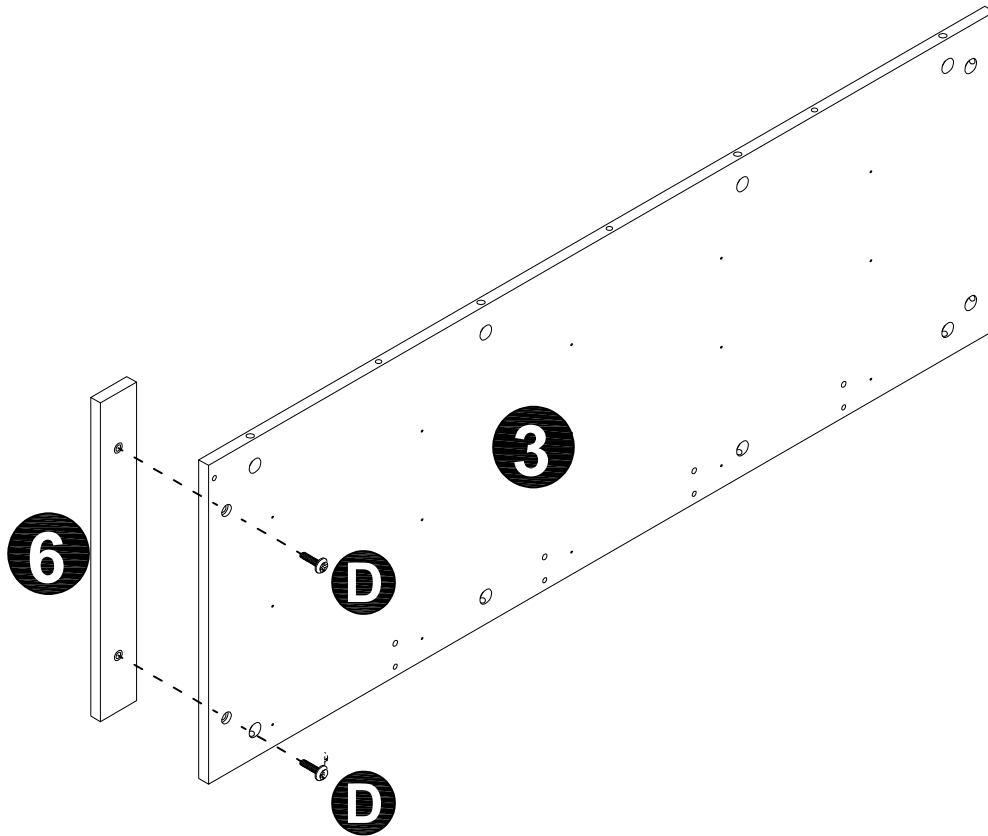
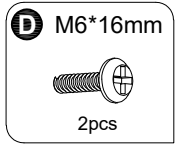
C Ø 6*30 mm



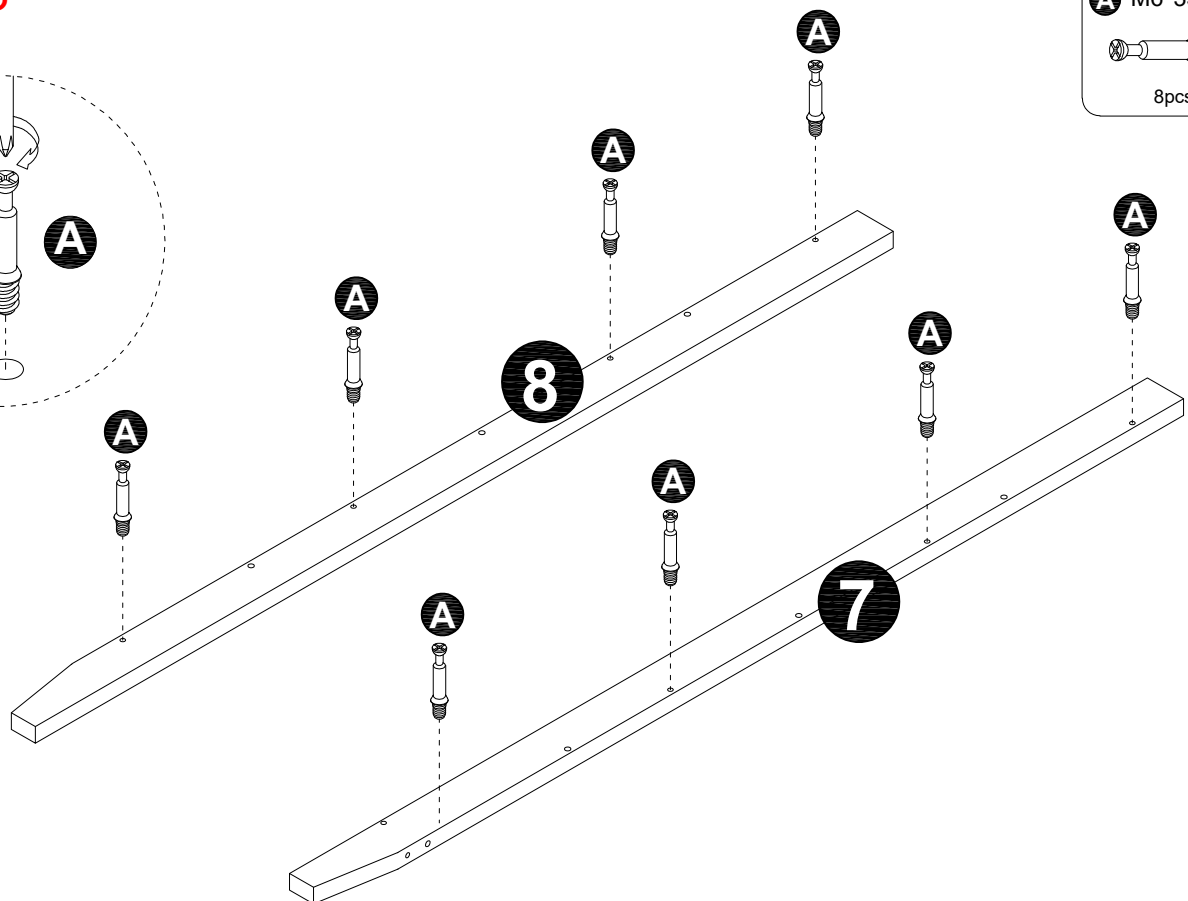
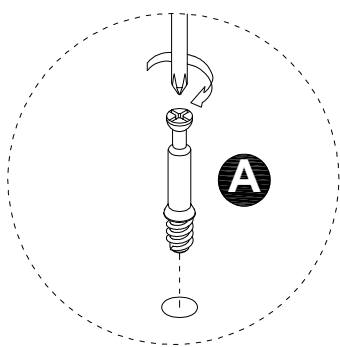
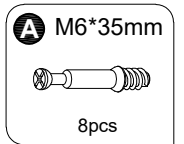
6pcs



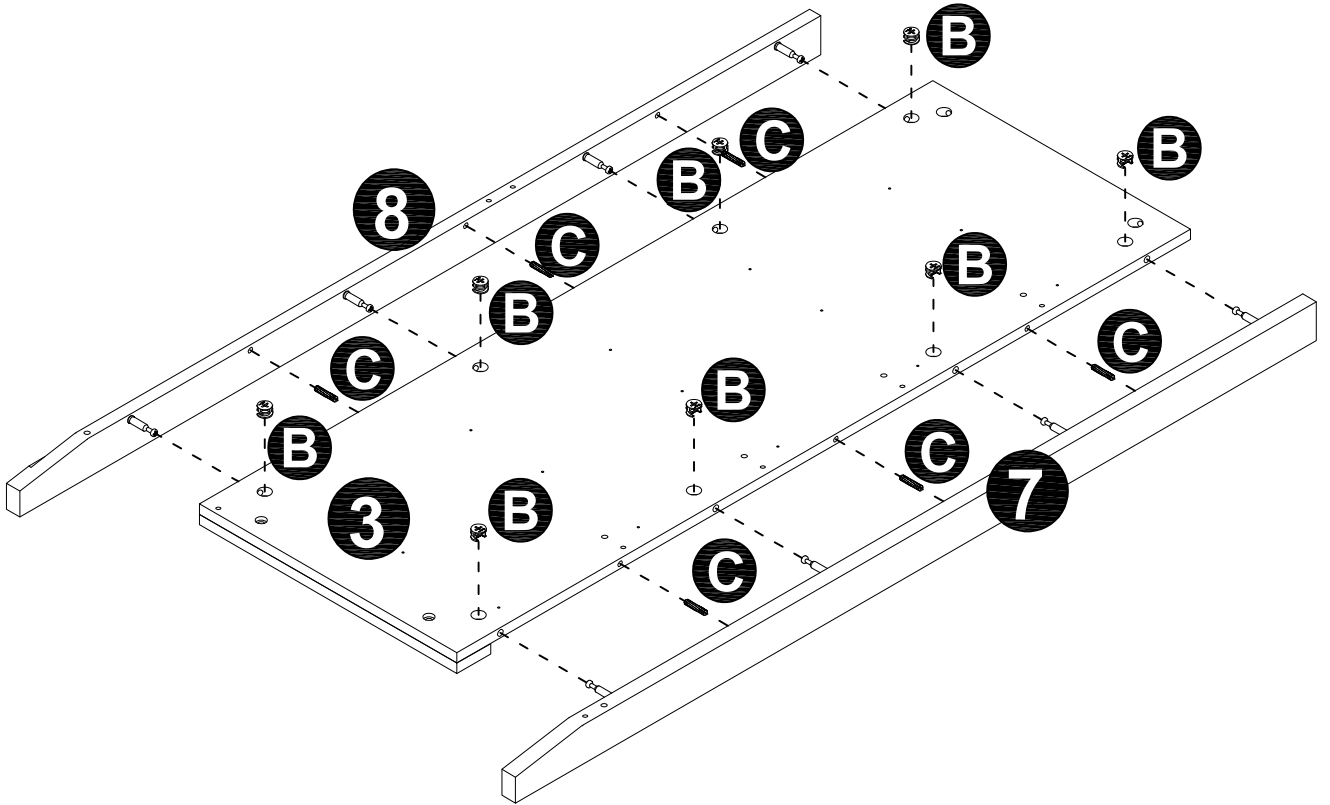
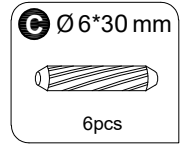
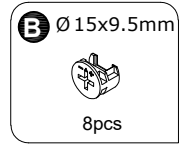
Step 7



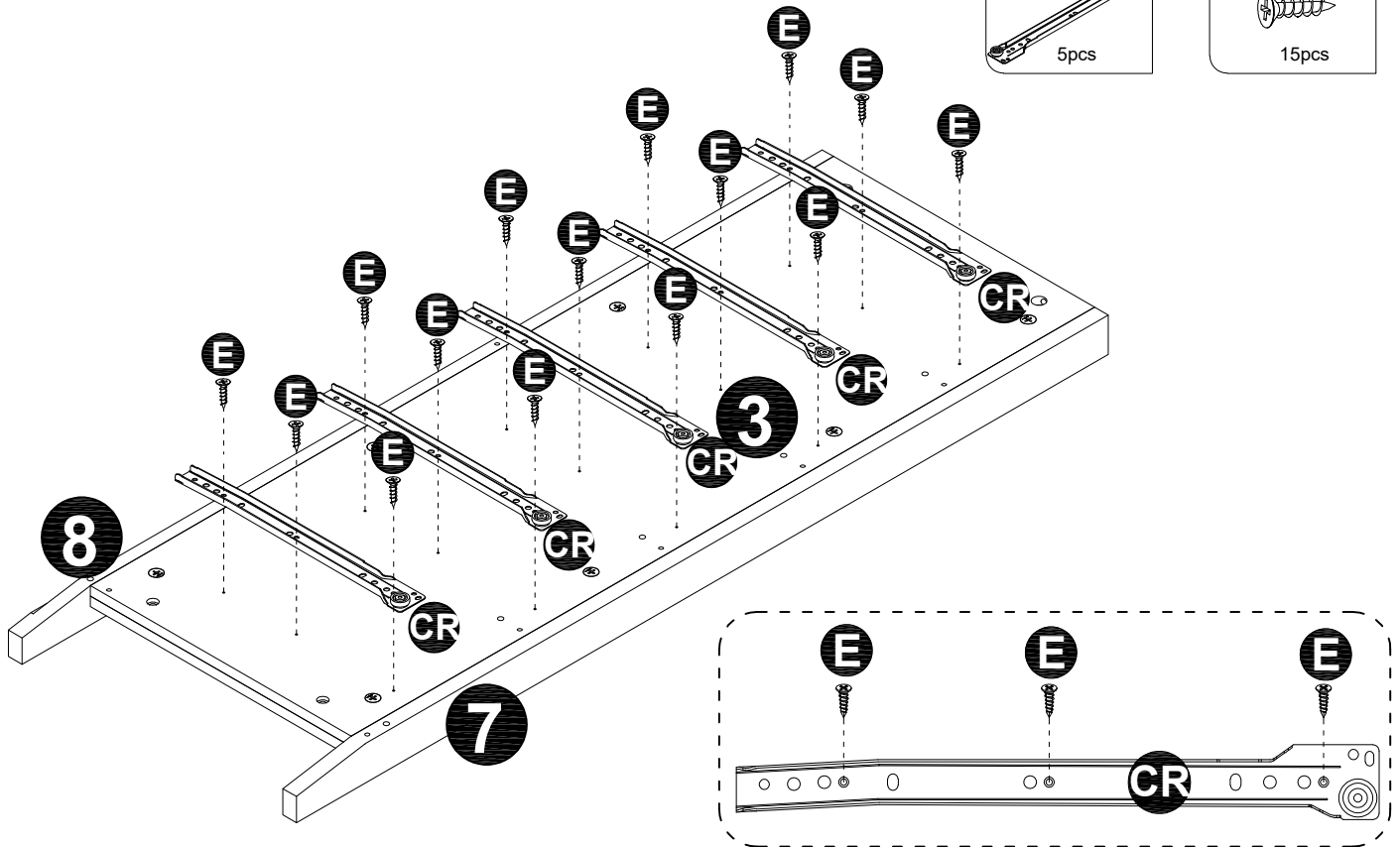
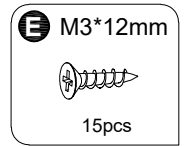
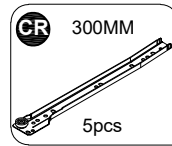
Step 8



Step 9

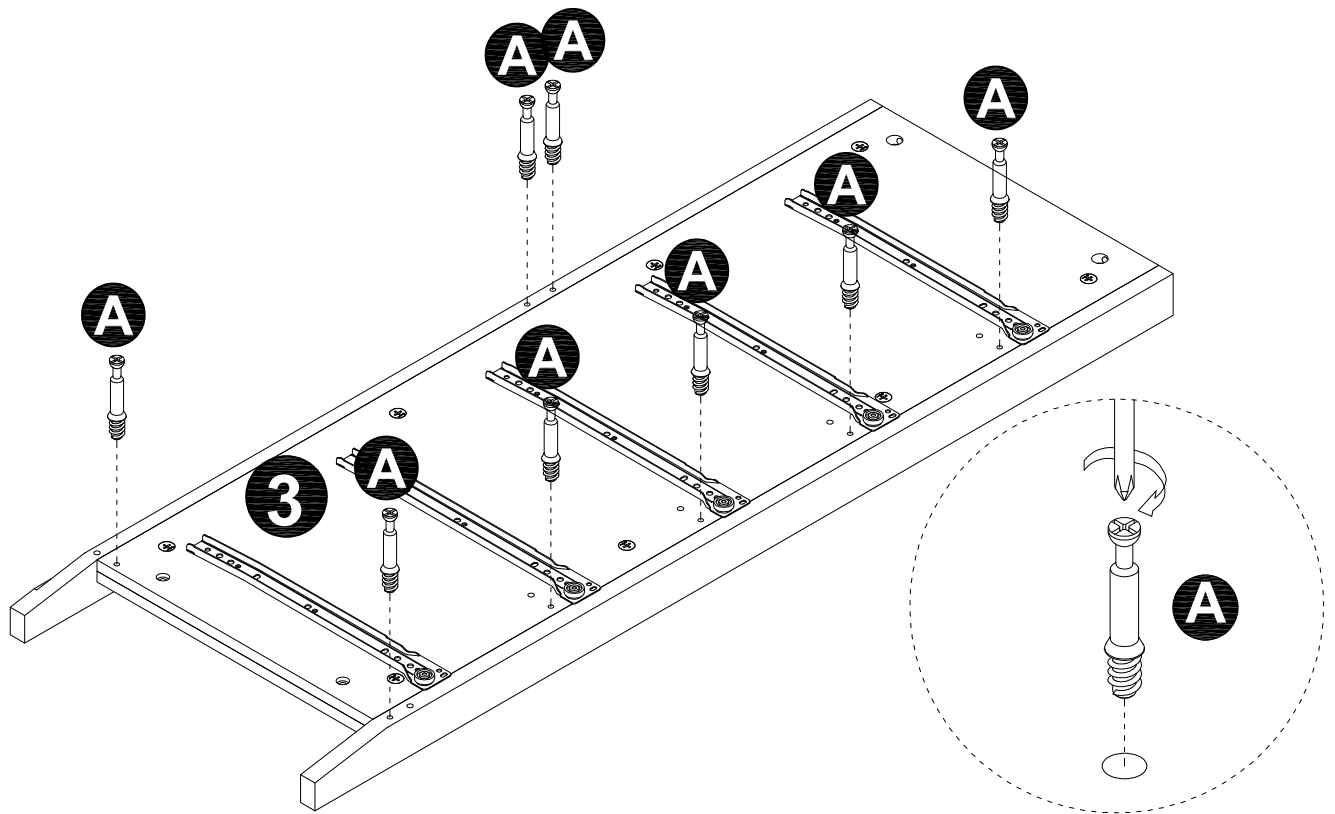


Step 10



Step 11

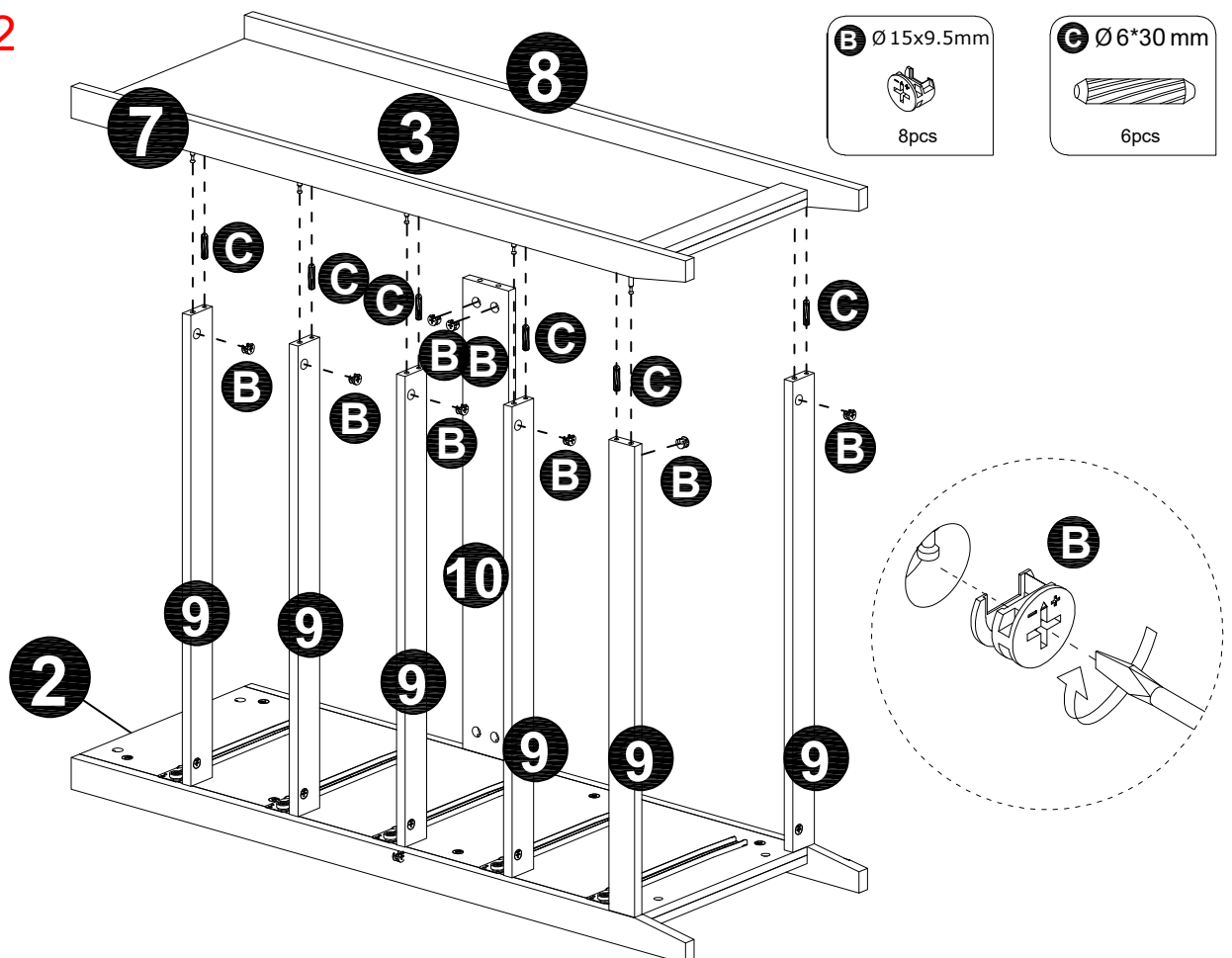
A M6*35mm
8pcs



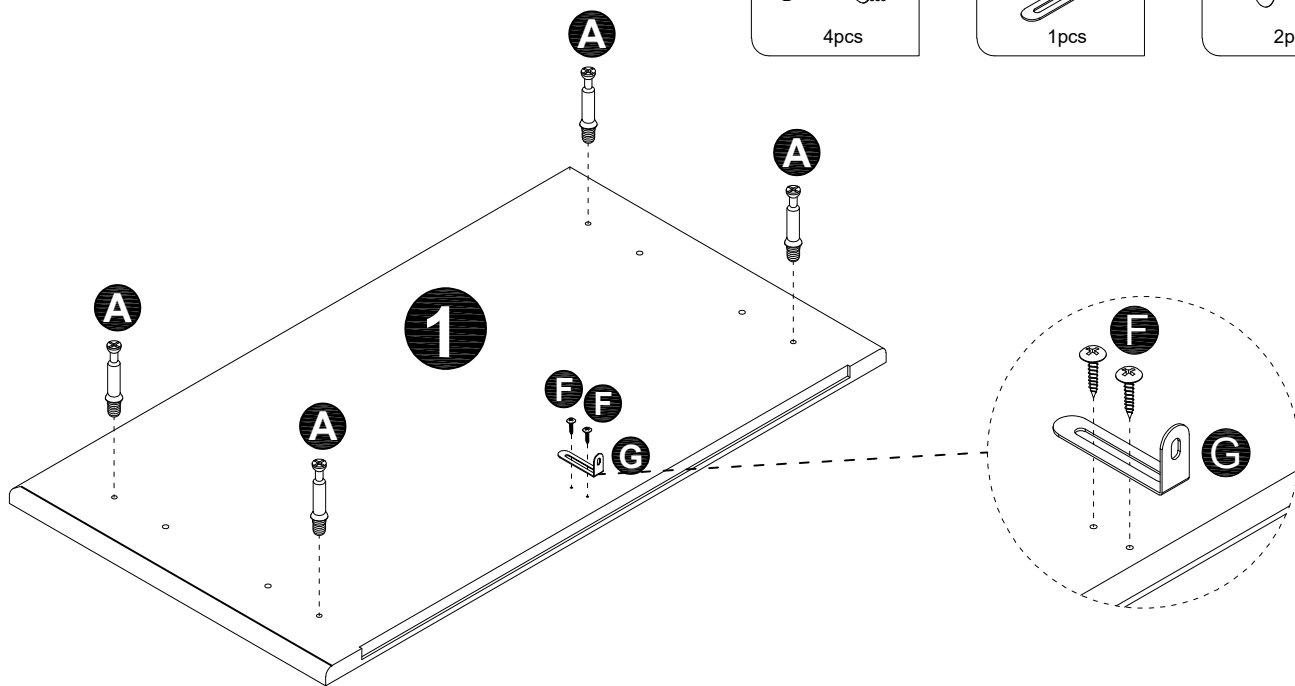
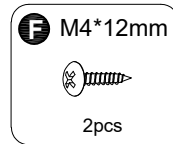
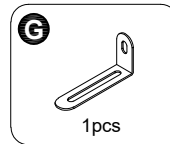
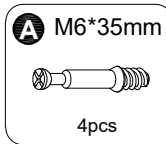
Step 12

B Ø15x9.5mm
8pcs

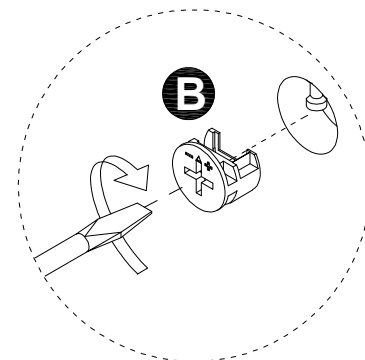
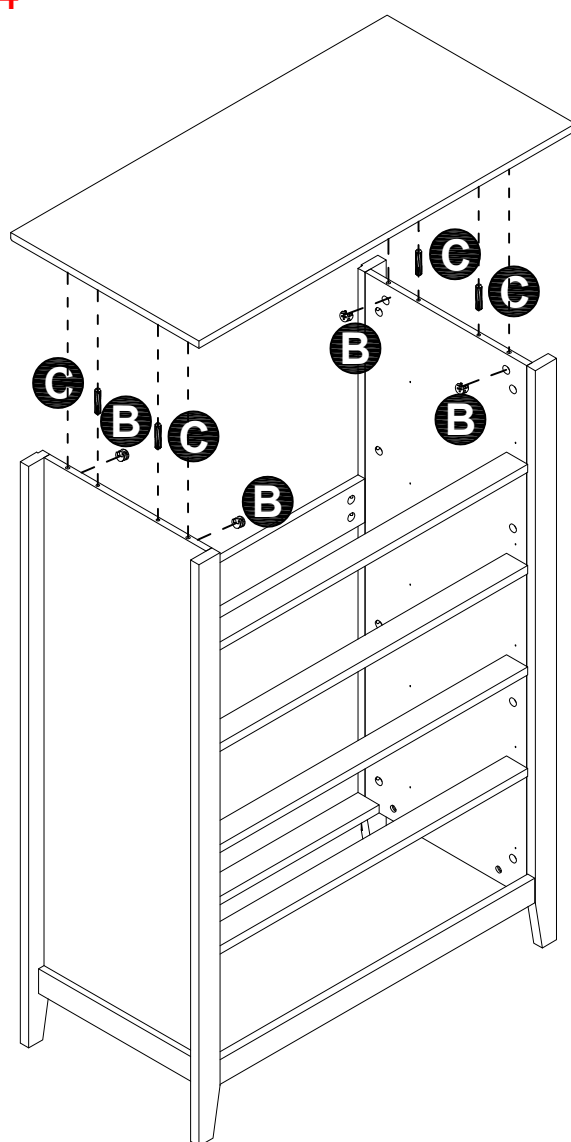
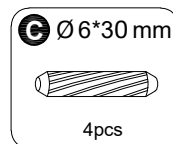
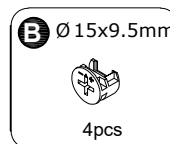
C Ø6*30 mm
6pcs



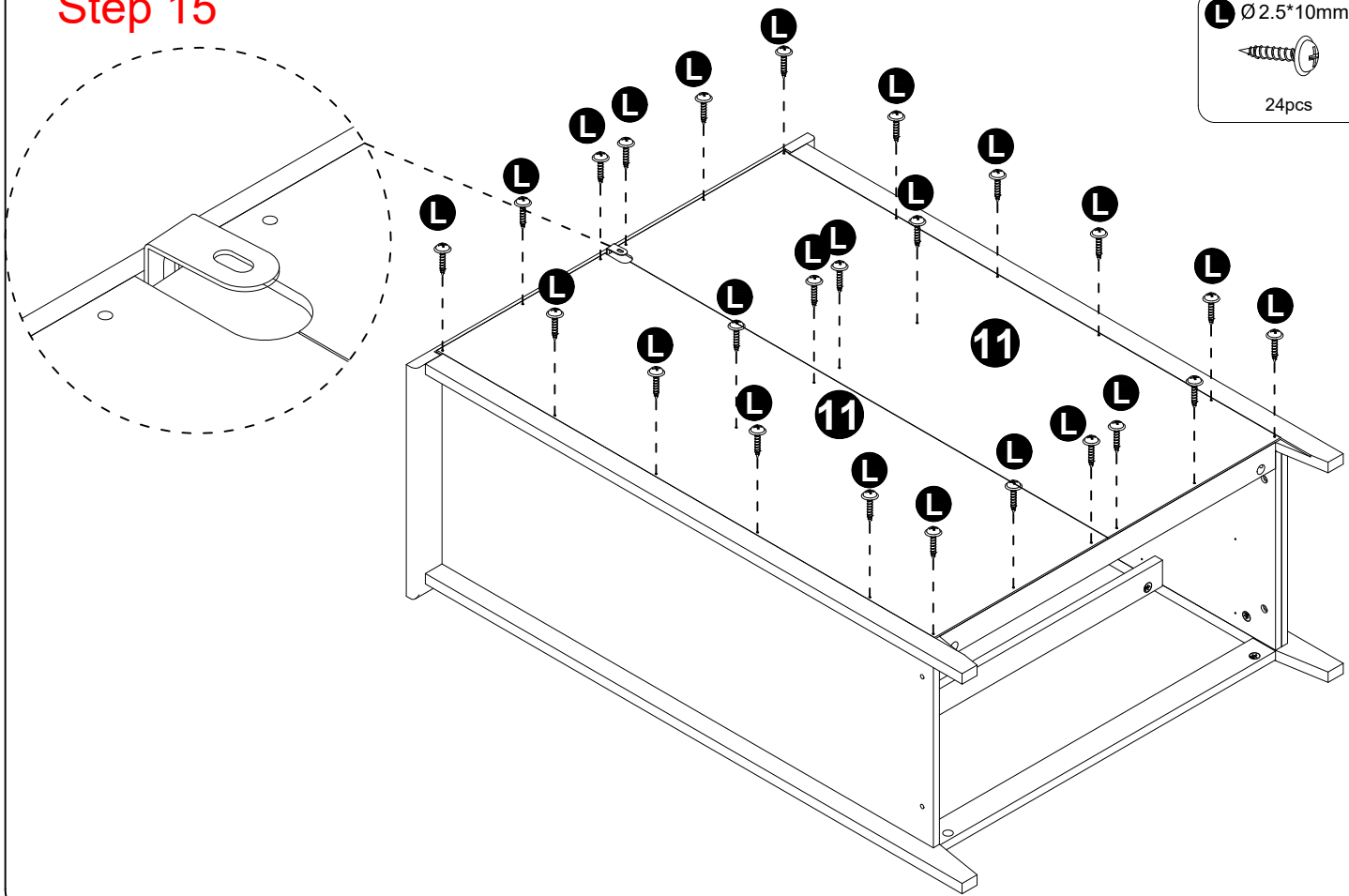
Step 13



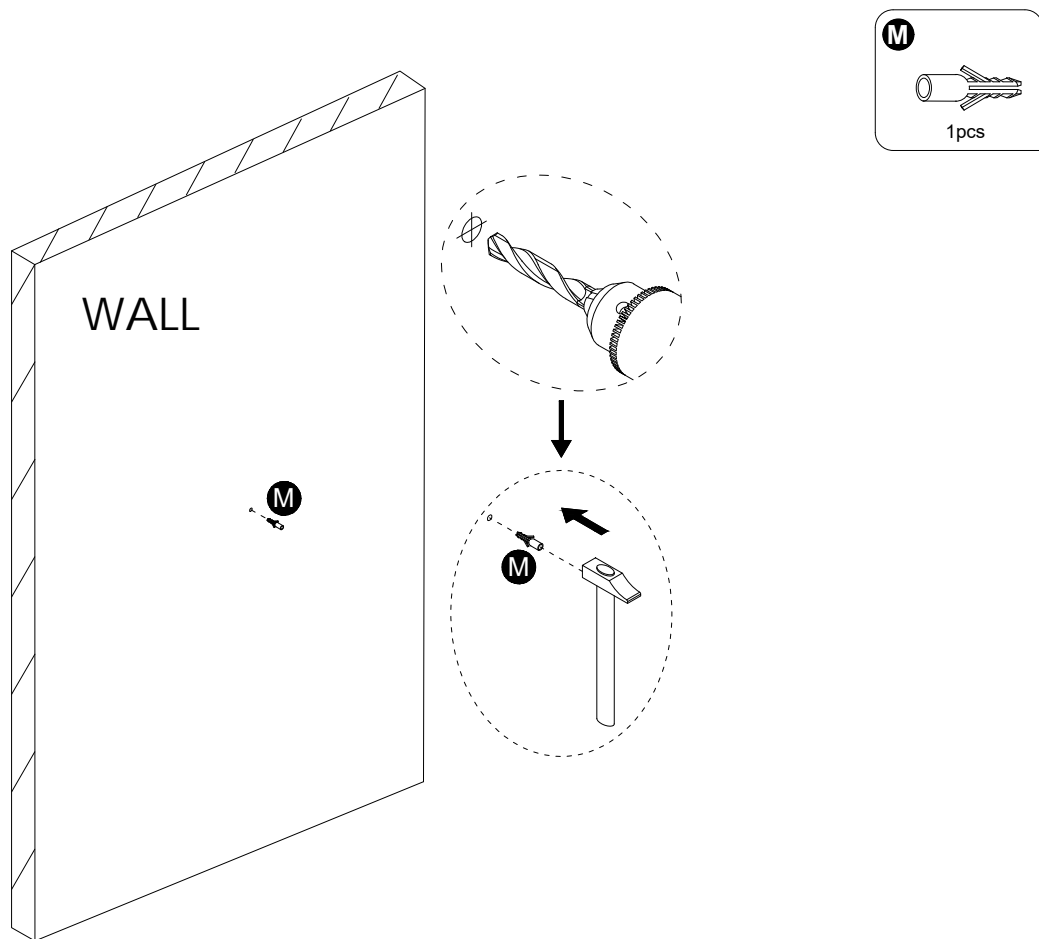
Step 14




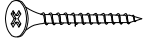
Step 15

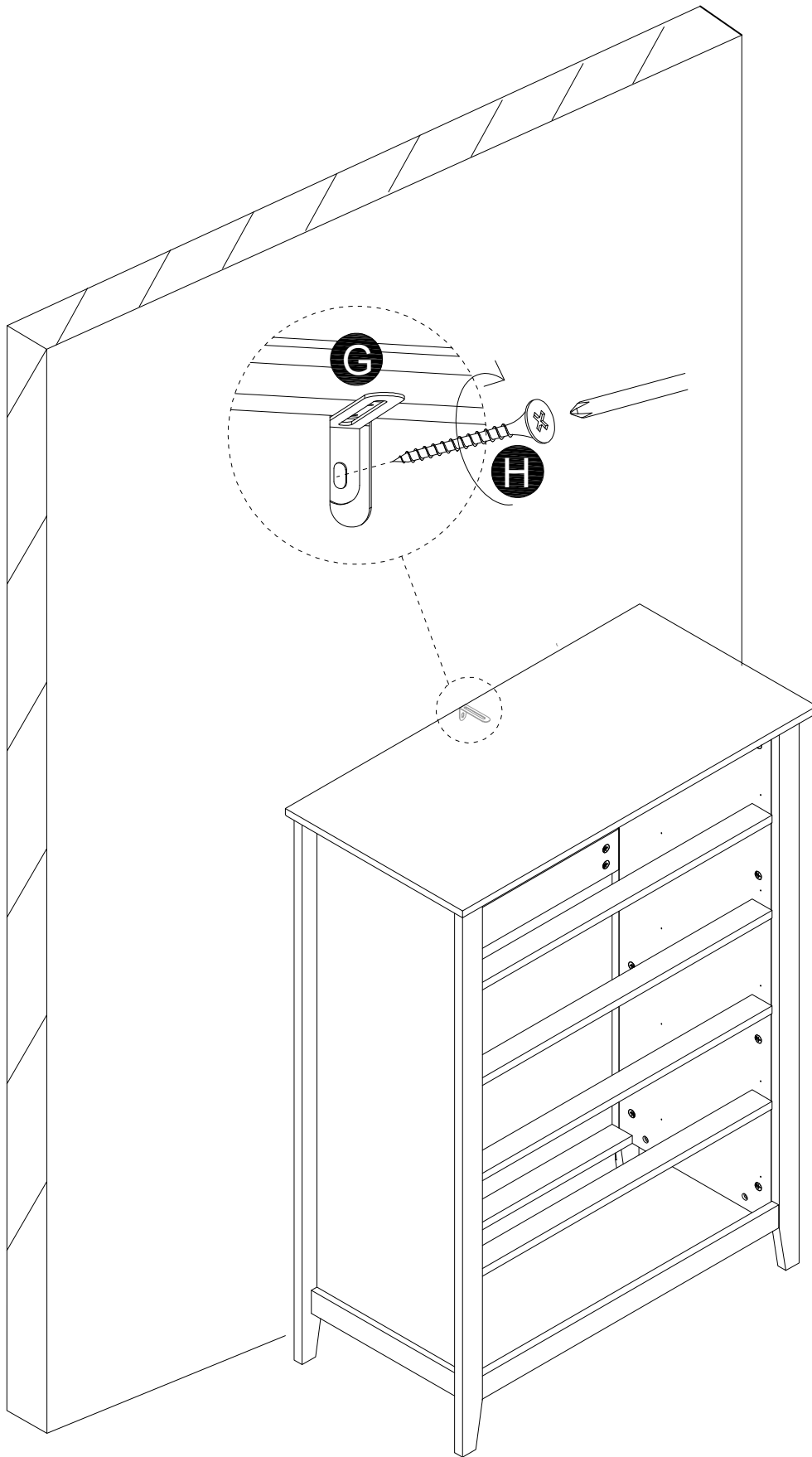


Step 16

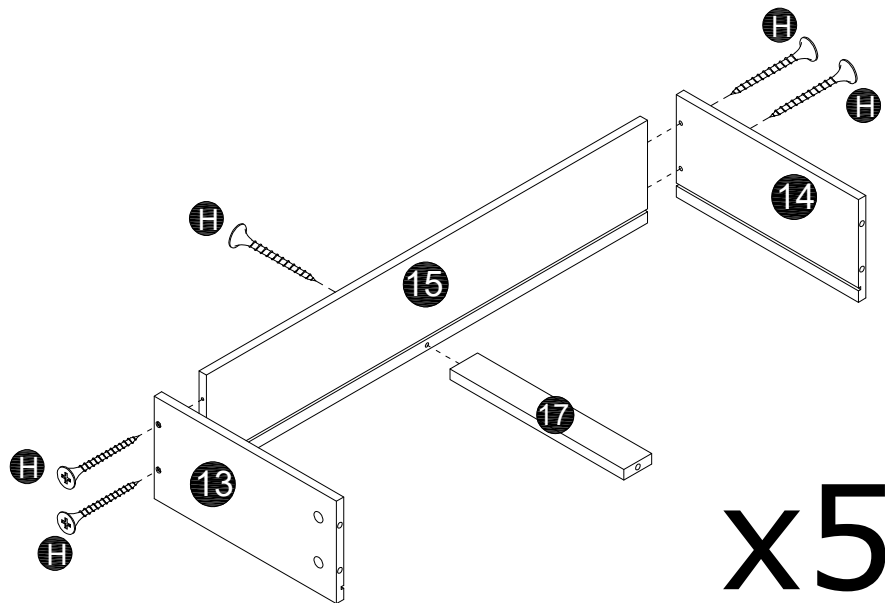
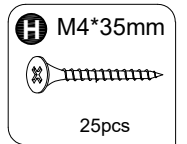


Step 17

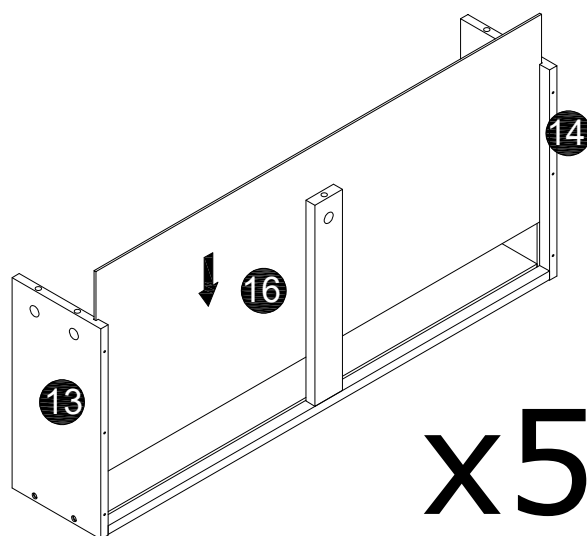
 M4*35mm

1pcs



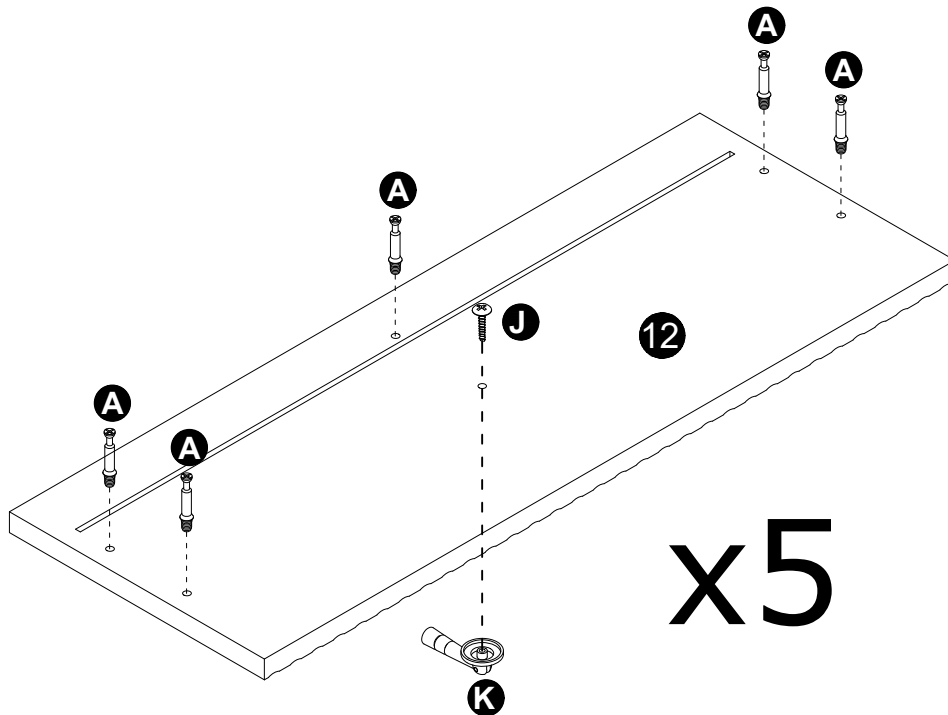
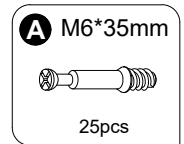
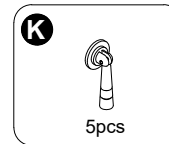
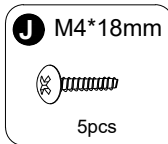
Step 18



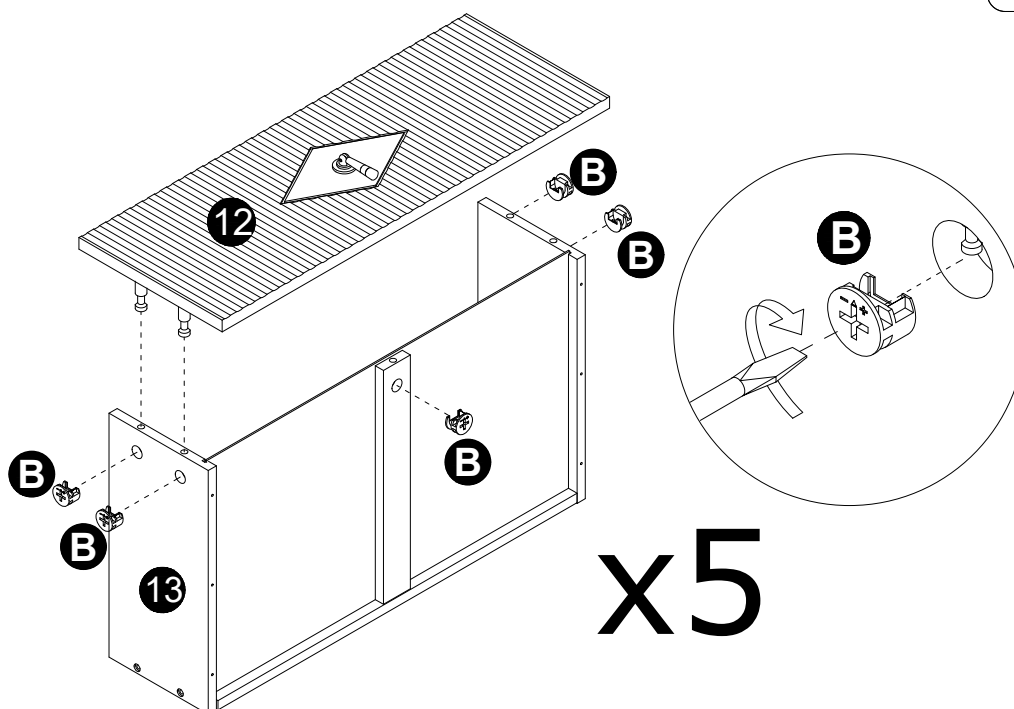
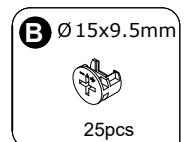
Step 19



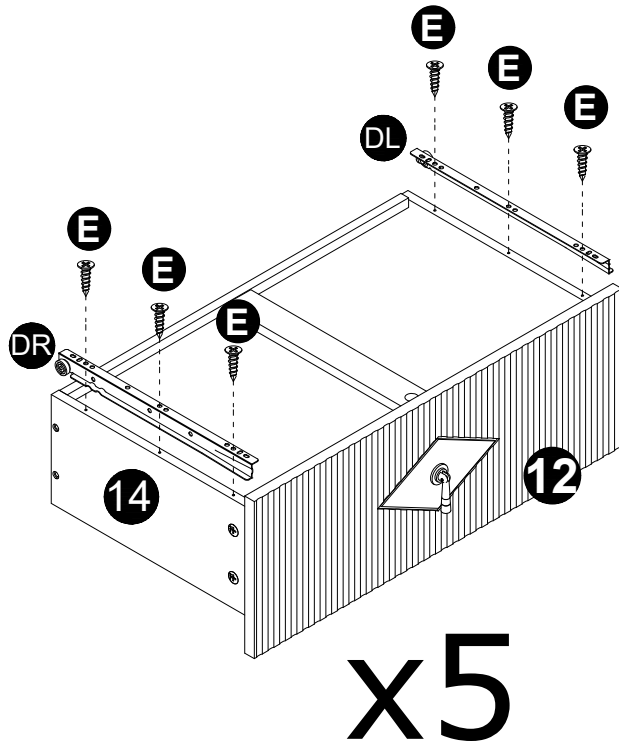
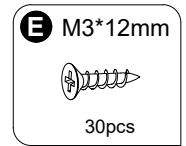
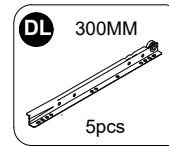
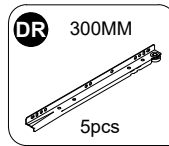
Step 20



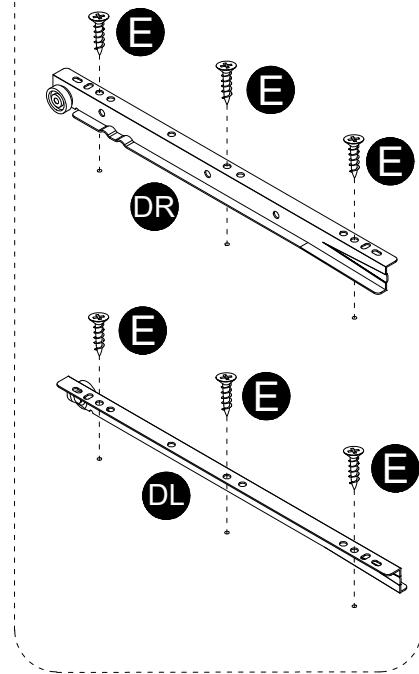
Step 21



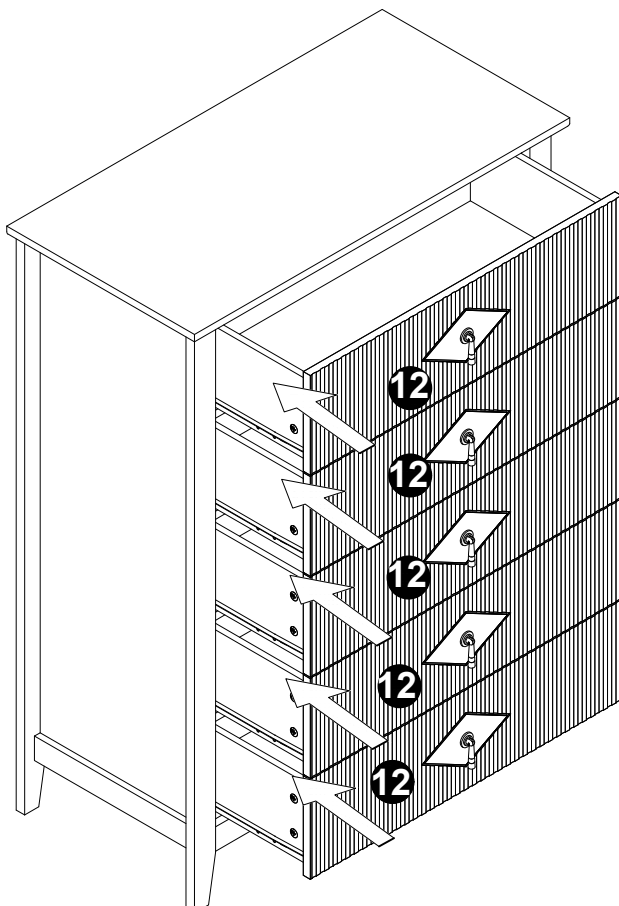
Step 22



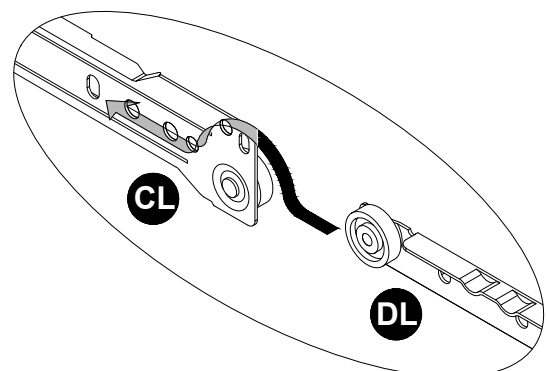
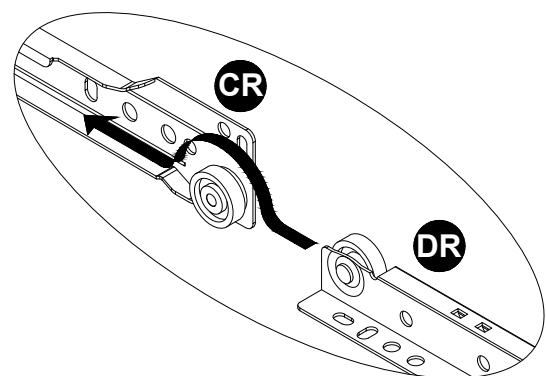
REMARK:



Step 23



12



IMPORTANT SAFETY INFORMATION

Please carefully read the instructions and caution warnings below before assembling the product. Following this guide will ensure that you install, use and maintain the product properly.

- Please keep this installation and user manual/instructions for future reference in case you need to assemble the product.
- Do not assemble if you notice serious damage such as cracks or bends.
- During installation, please use work gloves for hand safety.
- Please assemble the unit on carpeted floor or the flat cardboard box to avoid scratching the surface or your floor while assembling on the floor.
- To assemble, please use the complimentary installation tools (Allen Wrench). Pay more attention to the direction of components at each steps.
- It is recommended that two people work together to assemble the product.
- Please do not tighten the screws up too much, just to 80% before you finish to make the installation go on successfully.

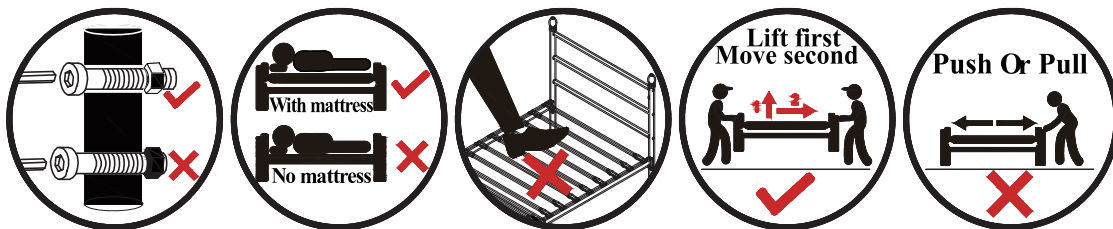
RETURN POLICY

We believe you will absolutely love your new product. But for some reason you want to return your item, please contact us within 30 days after receiving and ensure that the product which you want to return is in a good condition in the original box with all original certificates of purchase, manuals and accessories attached.

HOW TO MAINTAIN YOUR PRODUCT:

- Check the screws of the product are not loose from regular use.
- Do not use sharp instruments, rubbing alcohol, corrosive chemicals, or abrasive cleaners to clean the product.
- Do not keep the product in a damp environment for a long period of time. The damp environment may cause the iron components to rust and the plates to bulge and crack.

CAUTIONS!



How to find us?

Customer Service

Email: support@garvee.com