
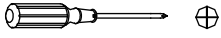



ASSEMBLY INSTRUCTIONS

DAWSON CIRCLE FRONT CABINET

ITEM# 86100

ASSEMBLY REQUIREMENTS	1.5 Hours Assembly Time (Approximate)	2 -Person Assembly 	Tools Required (Not Provided): Phillips Screwdriver  Flat Head Screwdriver 
-----------------------	---	---	---

Thank you for purchasing our product!

Please refer and use this assembly instruction to assemble the product.
Contact our customer service department in case there are any missing or damage parts or hardware.
Replacement parts are normally shipped within 2 or 3 days.

Email: replacementparts@buylateral.com
Within 30 days from delivery date

We appreciate your business!

ASSEMBLY PREPARATION

1. Remove all packaging materials, staples and packing straps from the carton.
2. Refer to Parts List and Hardware List and ensure they are correct before assembly.
Contact customer service for missing parts.
3. Place all wooden parts on a clean, flat and soft surface (e.g. carpet or rug) to prevent parts from getting scratched.

SAFETY PRECAUTION:

1. KEEP ALL HARDWARE PARTS OUT OF REACH OF CHILDREN.
2. DISPOSE PLASTIC PACKAGING MATERIAL IMMEDIATELY TO AVOID ANY RISK OF SUFFOCATION TO CHILDREN AND ANIMALS.

TIPS FOR ASSEMBLY:

1. Allow ample room for assembly and in close proximity to where product will be placed.
2. Assemble the product on a surface that does not scratch or damage the exterior gloss and finish of the furniture.
3. Identify all of the parts, hardware and quantities required for each step.
4. During assembly, do not over-tighten any fittings as this may cause damage.
5. DO NOT USE POWER TOOLS TO ASSEMBLE THIS PRODUCT.
6. Always place the product on a flat, level surface.
7. Do not sit or stand on the partially assembled product; only use the product for which it is intended.

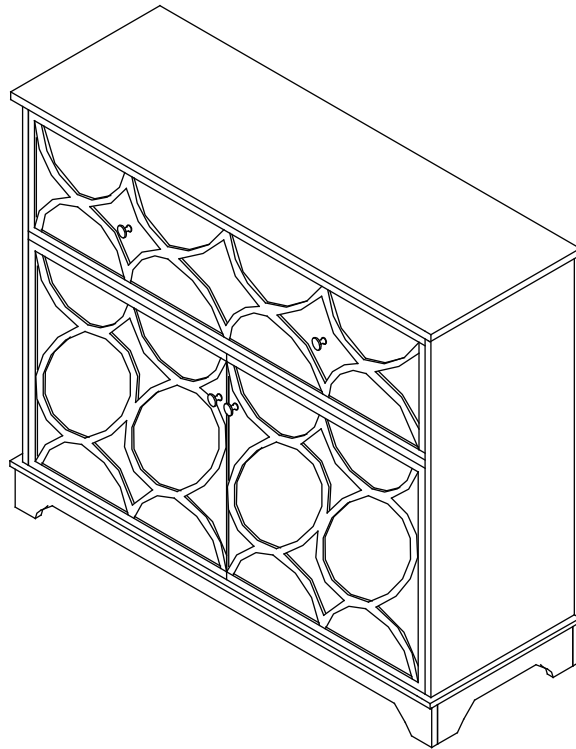
CARE AND MAINTENANCE

- Use a slightly damp cloth to clean the product. Do not use bleach or abrasive cleaning material.
- Check all the fittings periodically and re-tighten as necessary. Do not use the product if any of the parts is damaged or broken.
- Never allow any kind of liquid to remain on your furniture. Absorption can cause wood to warp or delaminate.
- Do not place hot items (e.g. hot drinks) directly onto the wood surface.
- Do not drag and/or pull the furniture.








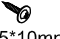









This product is for indoor and household use only - not for commercial use.

ASSEMBLY INSTRUCTIONS

DAWSON CIRCLE FRONT CABINET ITEM# 86100



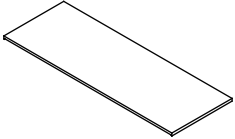
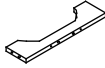
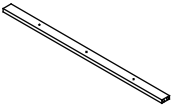
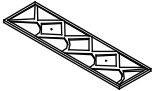
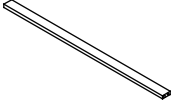

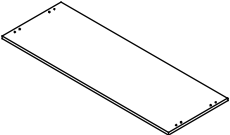

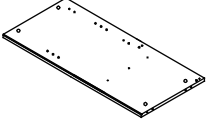

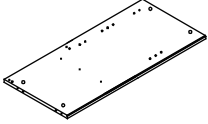
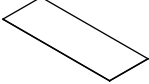
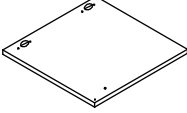

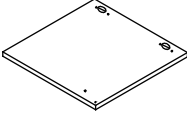
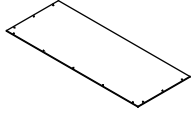
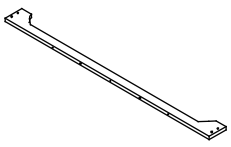
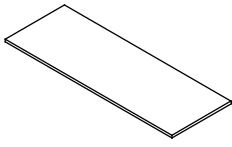
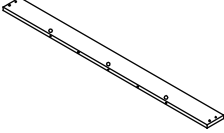
Hardware List

ITEM	DESCRIPTION	PART	QTY	ITEM	DESCRIPTION	PART	QTY
A	Cam-bolt	 6*35mm	25 pcs	J	Screw	 4*40mm	7 pcs
B	Cam-lock	 15*10mm	25 pcs	K	Screw	 4*30mm	4 pcs
C	Wood Dowel	 8*30mm	26 pcs	L	Screw	 4*25mm	3 pcs
D	Drawer Glide	 300mm	1 set	M	Screw	 2.5*10mm	22 pcs
E	Hinge		4 pcs	N	Screw	 3.5*12mm	16 pcs
F	Magnetic Catch		1 pc	O	Shelf Pin		4 pcs
G	Door Plate		2 pcs	P	Knob Bolt	 4*16mm	4 pcs
H	Screw	 3*14mm	2 pcs	Q	Knob		4 pcs
I	Screw	 3*12mm	14 pcs				

ASSEMBLY INSTRUCTIONS

DAWSON CIRCLE FRONT CABINET ITEM# 86100

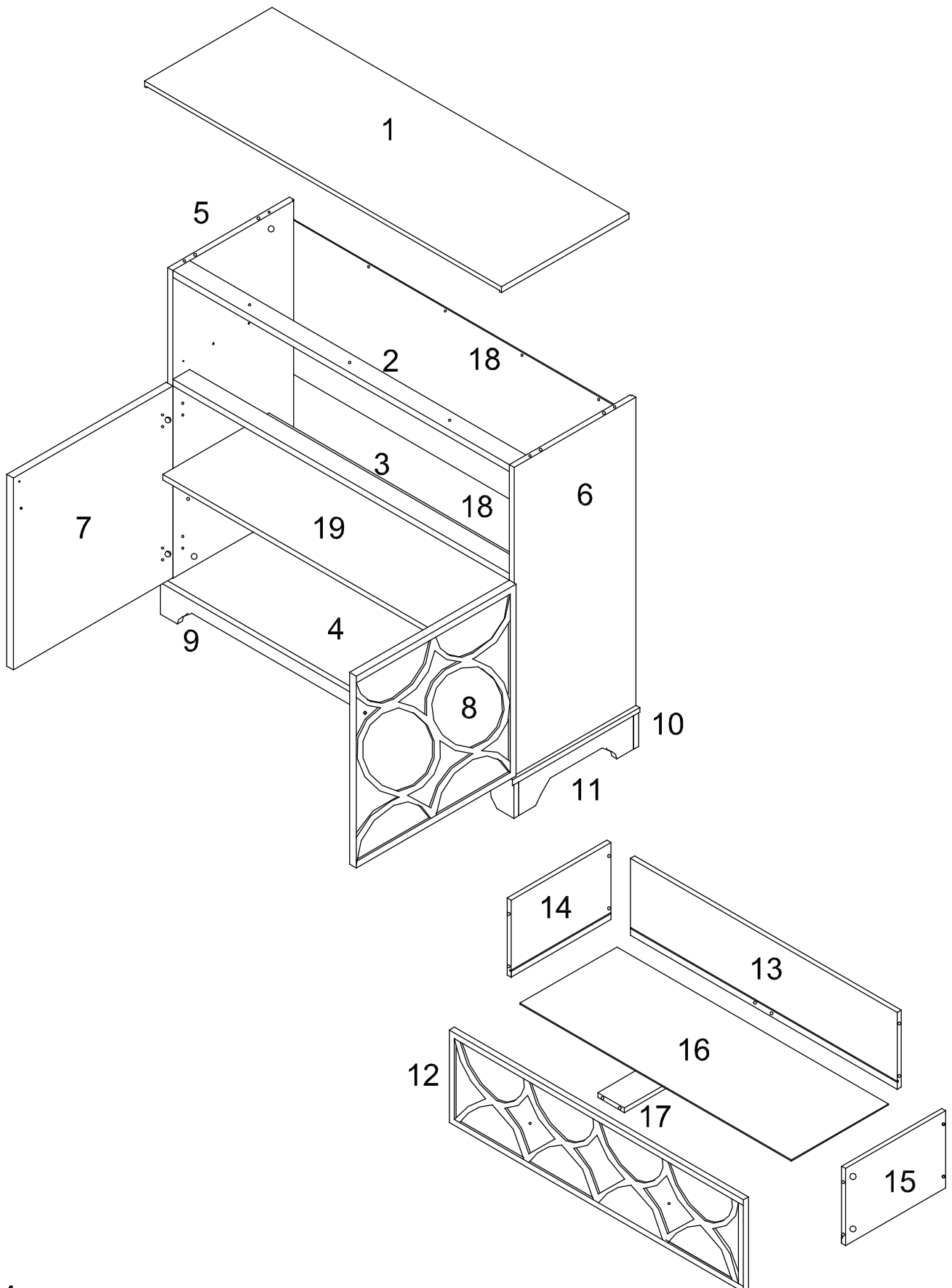
Parts List

ITEM	DESCRIPTION	PART	QTY	ITEM	DESCRIPTION	PART	QTY
1	Top Panel		1 pc	11	Bottom Side Panel		2 pcs
2	Top Connect Bar		1 pc	12	Drawer Front Panel		1 pc
3	Middle Connect Bar		1 pc	13	Drawer Left Panel		1 pc
4	Bottom Panel		1 pc	14	Drawer Left Panel		1 pc
5	Left Panel		1 pc	15	Drawer Right Panel		1 pc
6	Right Panel		1 pc	16	Drawer Bottom Panel		1 pc
7	Left Door		1 pc	17	Drawer Connect Bar		1 pc
8	Right Door		1 pc	18	Back Panel		2 pcs
9	Bottom Front Panel		1 pc	19	Adjustable Shelf		1 pc
10	Bottom Back Panel		1 pc				

ASSEMBLY INSTRUCTIONS

DAWSON CIRCLE FRONT CABINET ITEM# 86100

Parts List Assembly Overview



Instructions For Fastening CAM-BOLT AND CAM-LOCK

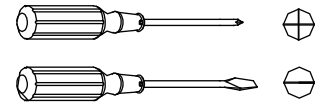


CAM-BOLT

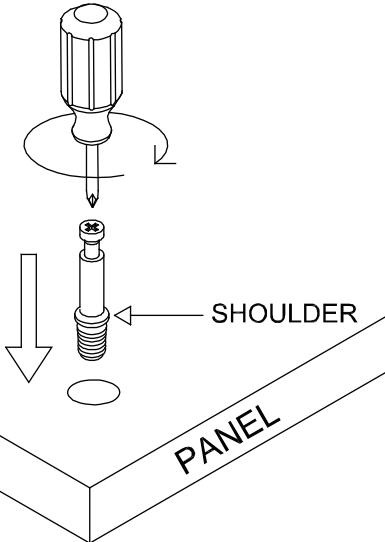


CAM-LOCK

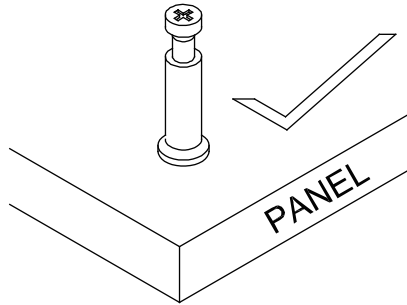
Tools Required



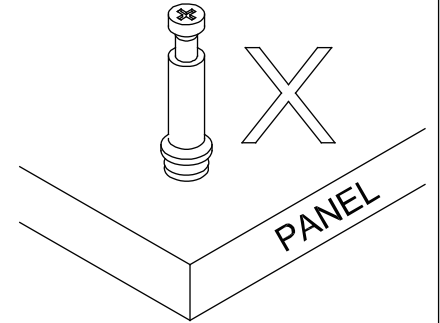
INSERTING AND TIGHTENING CAM-BOLT



Place Cam-bolt on pre-drilled hole and screw in vertically.



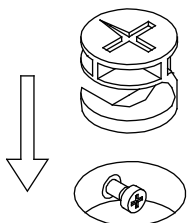
Shoulder is flushed (on the same level) with the panel.



Shoulder is above the panel.

Place Cam-bolt to the designated pre-drilled holes on the panel. Use a Phillips Screwdriver to tighten Cam-bolt vertically until shoulder is flushed (on the same level) with panel. Do not over-tighten or under-tighten.

INSERTING CAM-LOCK



Insert Cam-lock with arrow align to Cam-bolt head.



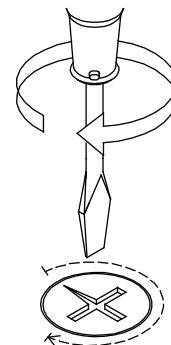
CORRECT



WRONG

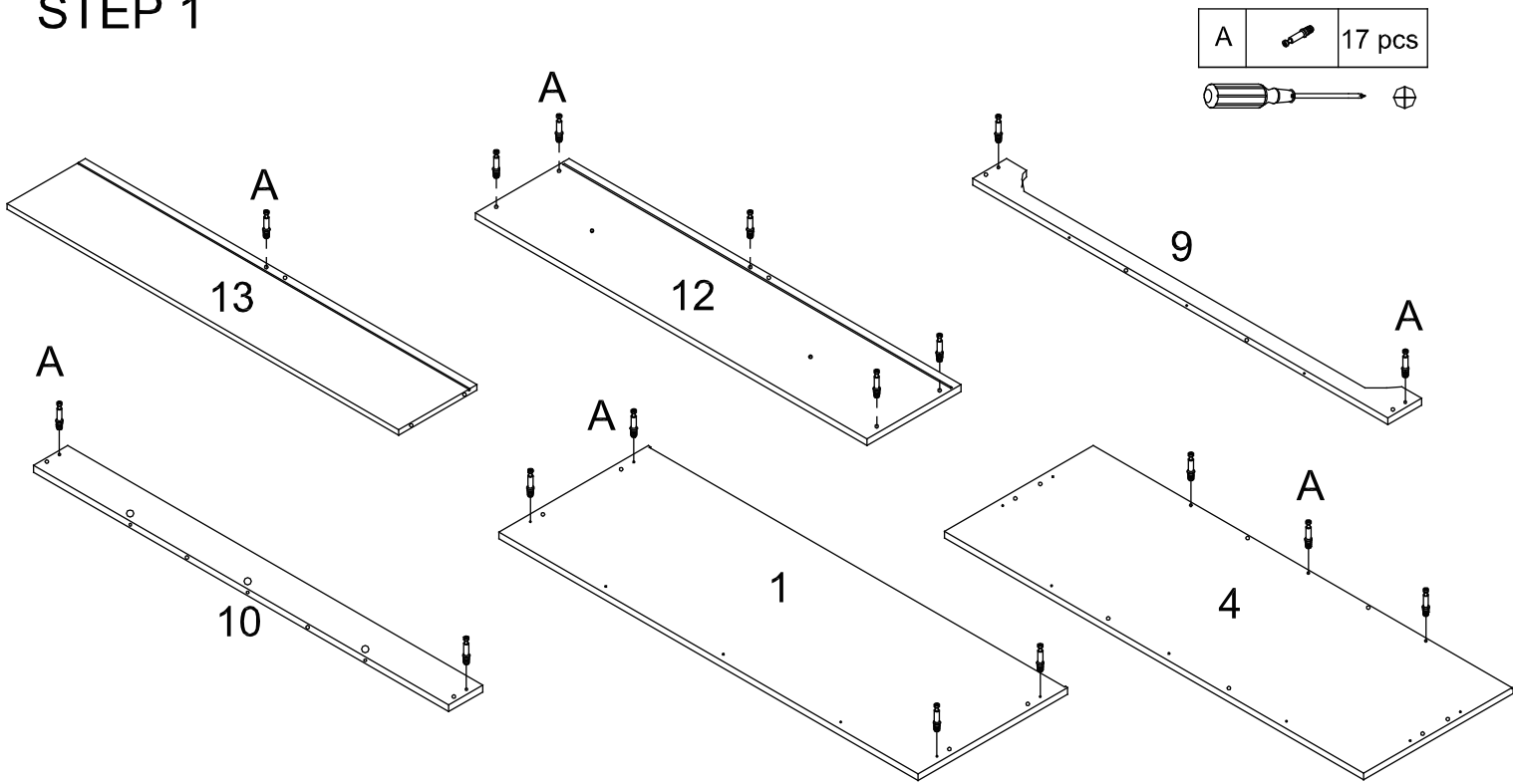
Align the arrow on the Cam-lock to the Cam-bolt head and insert the Cam-lock. Ensure Cam-lock is fully inserted.

TIGHTENING CAM-LOCK



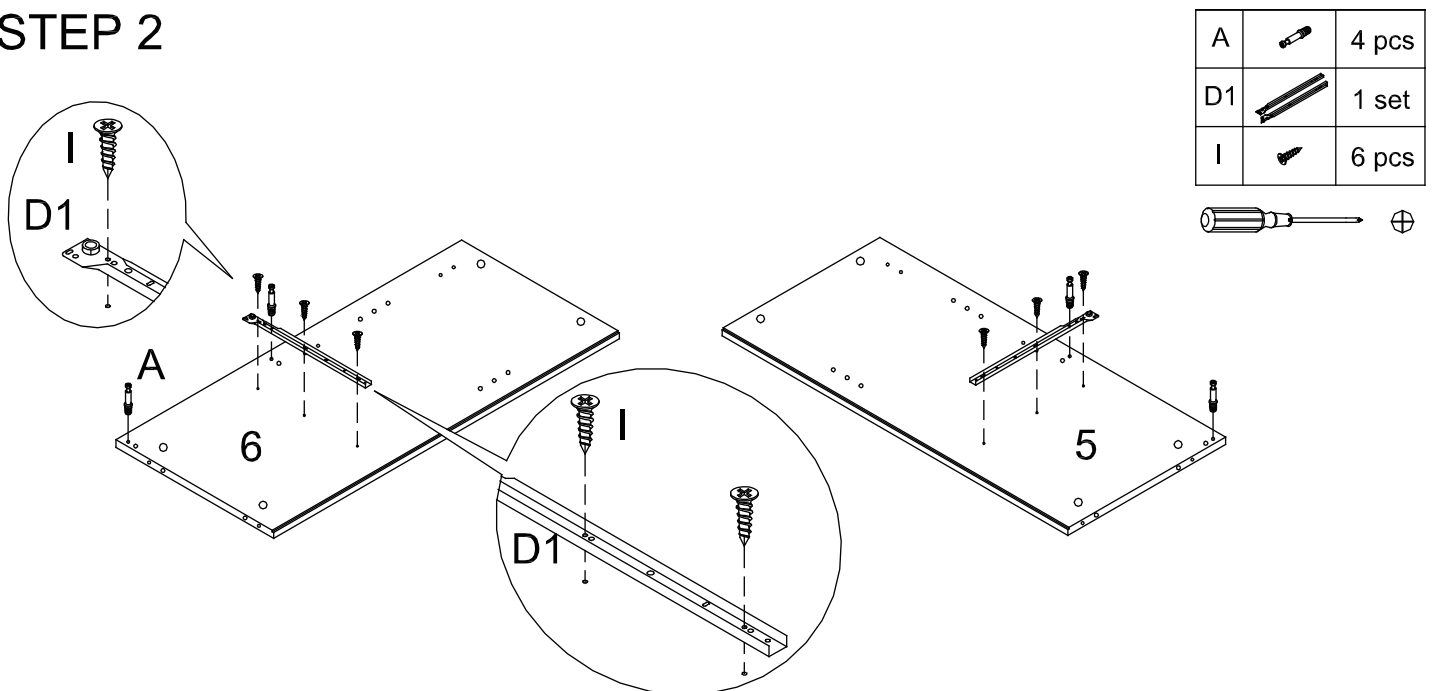
Use a Flat-head Screwdriver to turn Cam-lock clockwise so it locks onto the head of the Cam-bolt. Turn until it is snug (about 3/4ths of a turn) -- over-tightening could damage Cam-lock or/and Cam-bolt.

STEP 1







- Lay Top Panel (1), Bottom Panel (4), Bottom Front Panel (9), Bottom Back Panel (10), Drawer Front Panel (12) and Drawer Back Panel (13) as shown on a material that does not scratch the surface of each part.
- Screw in Cam-bolt (A) into the designated holes on each part. Refer to Page 5 for instructions on inserting and tightening Cam-bolt.

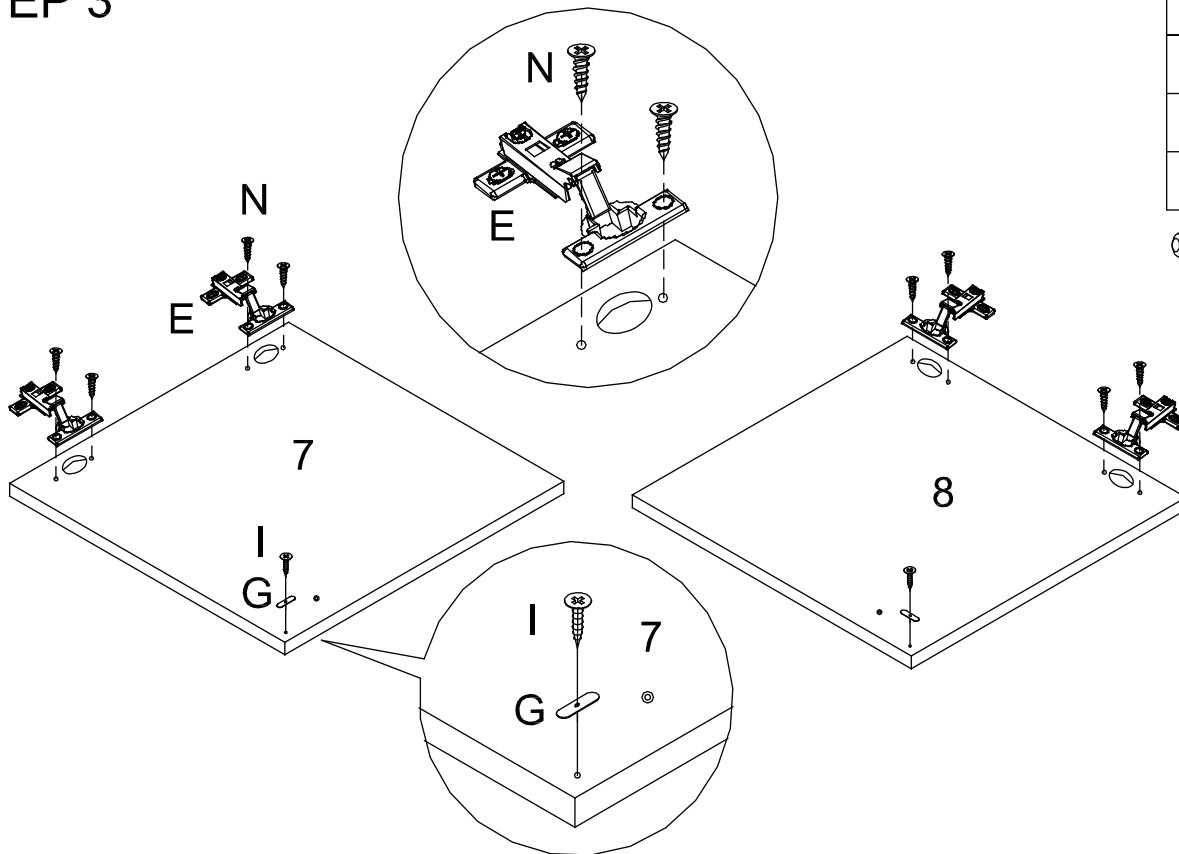
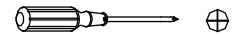
STEP 2



- Lay Left and Right Panel (5 & 6) as shown on a material that does not scratch the surface of each part.
- Screw in Cam-bolt (A) into the designated holes on (5 & 6)
- Place Drawer Glide Track (D1) to align the designated screw holes on (D1) to pilot holes on Side Panel (5 & 6) - Refer to enlarged drawings.
- Use Screw (I) to fasten (D1) to (5 & 6). Do not tighten (I) completely until all 3 screws are in place.



STEP 3

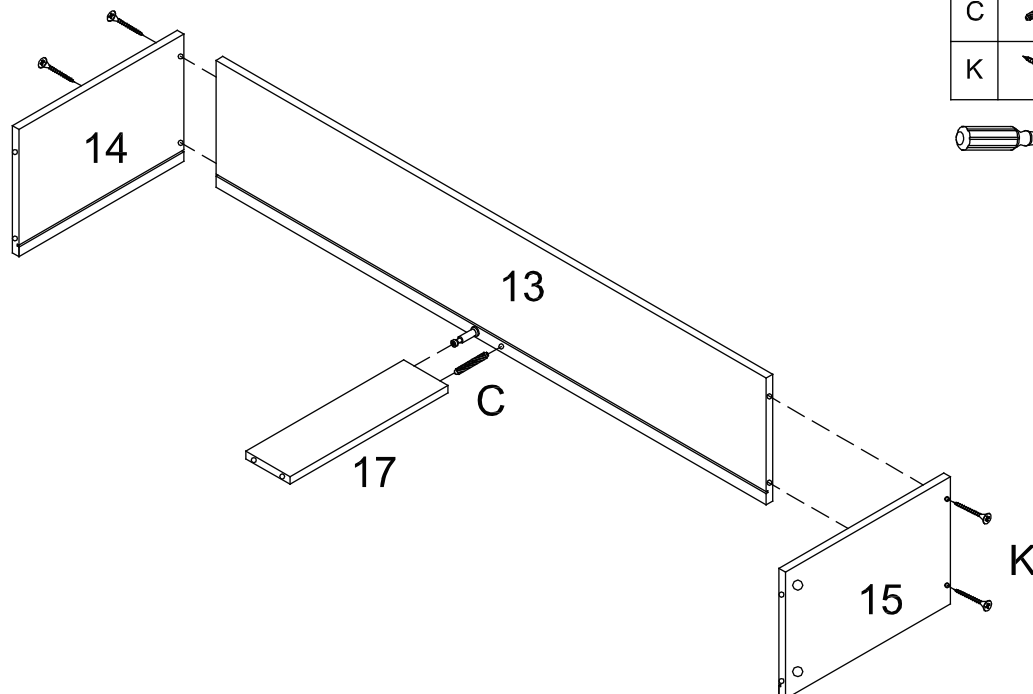
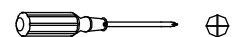
E		4 pcs
G		2 pcs
I		2 pcs
N		8 pcs



- Attach Hinge (E) to Door (7 & 8) using Screw (N) as shown.
- Attach Door Plate (G) to Door (7 & 8) using Screw (I) as shown.

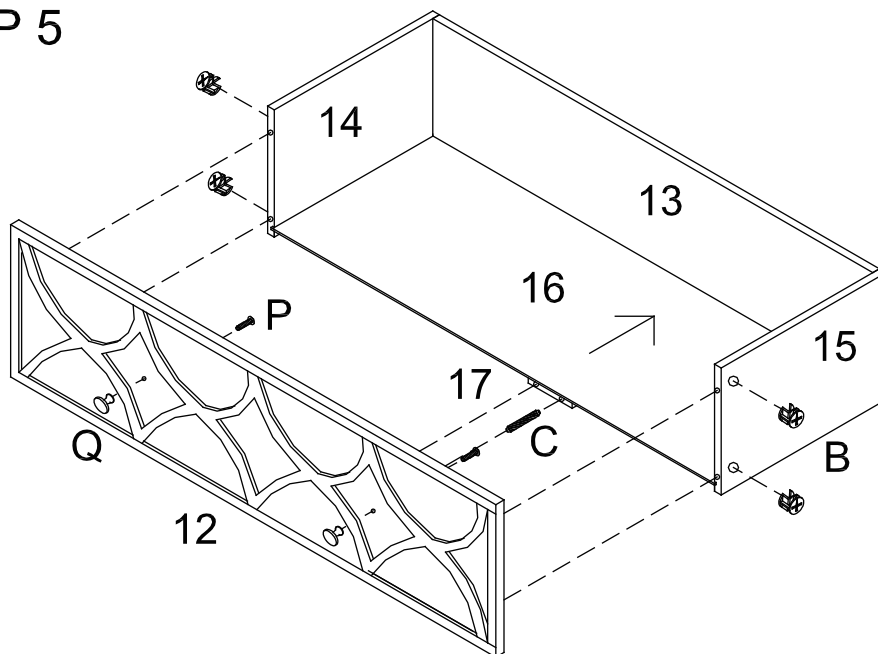
STEP 4

C		1 pc
K		4 pcs

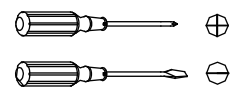


- Position Drawer Back Panel (13) between Drawer Left & Right Panels (14 & 15) as shown.
Note: the groove on each panel has to be aligned.
- Use Screw (K) to fasten side panels to back panel. Do not tighten screws completely until both screws are in each Side Panel.
- Insert Wood Dowel (C) to designated hole on Drawer Connect Bar (17).
- Attach Drawer Connect Bar (17) to (13) via Cam-bolt on (13) and Wood Dowels.

STEP 5

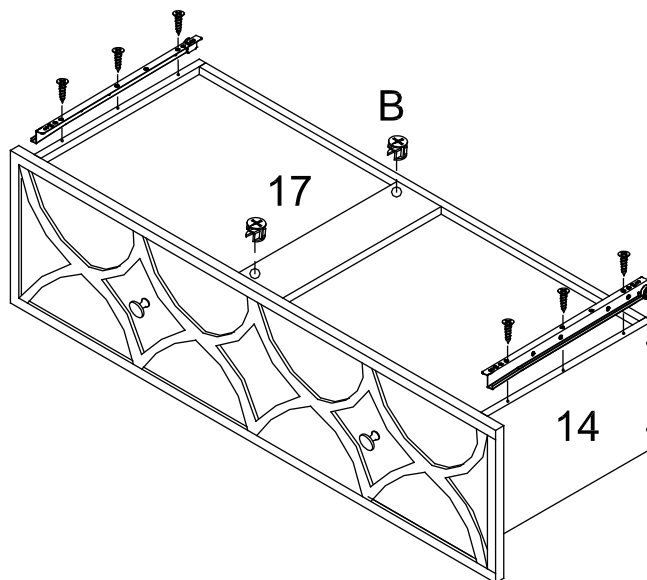


B		4 pcs
C		1 pc
P		2 pcs
Q		2 pcs

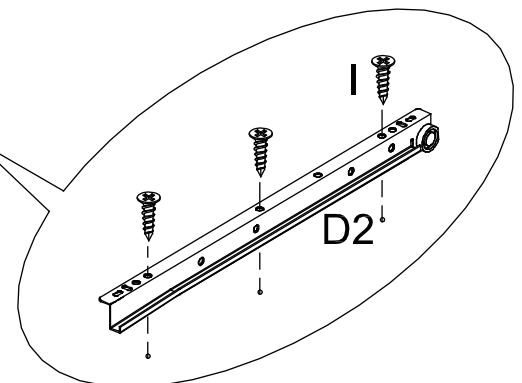
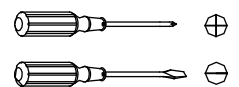


- Fit Drawer Bottom Panel (16) to Drawer Panels (14 & 15) via groove on respective drawer panels. Check that the back edge of (16) also fits into the groove on Drawer Back Panel (13).
- Insert Wood Dowel (C) into designated hole on (17).
- Attach Drawer Front Panel (12) to Side Panels (14 & 15) firmly via cam-bolts on (12) and Wood dowel on (17). Check that front edge of Bottom Panel (16) fit into the groove on the inside-face of Front Panel (12).
- Insert Cam-lock (B) into the holes on (14 & 15) then turn clockwise to lock onto Cam-bolt on (12). Refer to Page 5 for instructions on inserting and tightening cam-lock.
- Use Knob Bolt (P) to fasten Knob (Q) to (12).

STEP 6





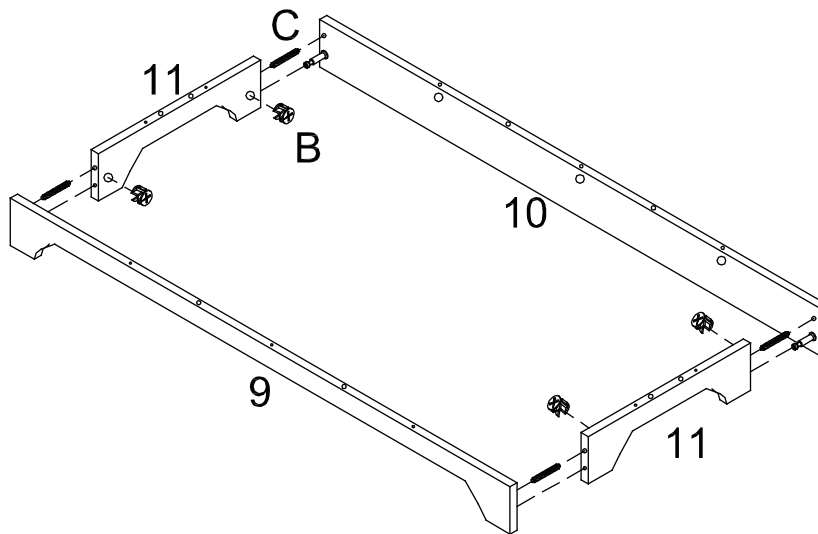
B		2 pcs
D2		1 set
I		6 pcs



- Insert Cam-lock (B) into the holes on (17) then turn clockwise to lock onto Cam-bolt on (12 & 13).
- Position Drawer Glide Runner (D2) against the drawer side panels as shown (note: the roller on (D2) is towards the back panel of the drawer) and identify the designated screw holes on (D2) - refer to enlarged drawings.
- Use Screw (I) to fasten (D2) to Side Panels (14 & 15). Use a Phillips screwdriver to drive (I). Do not tighten (I) completely until both screws are in place.




STEP 7

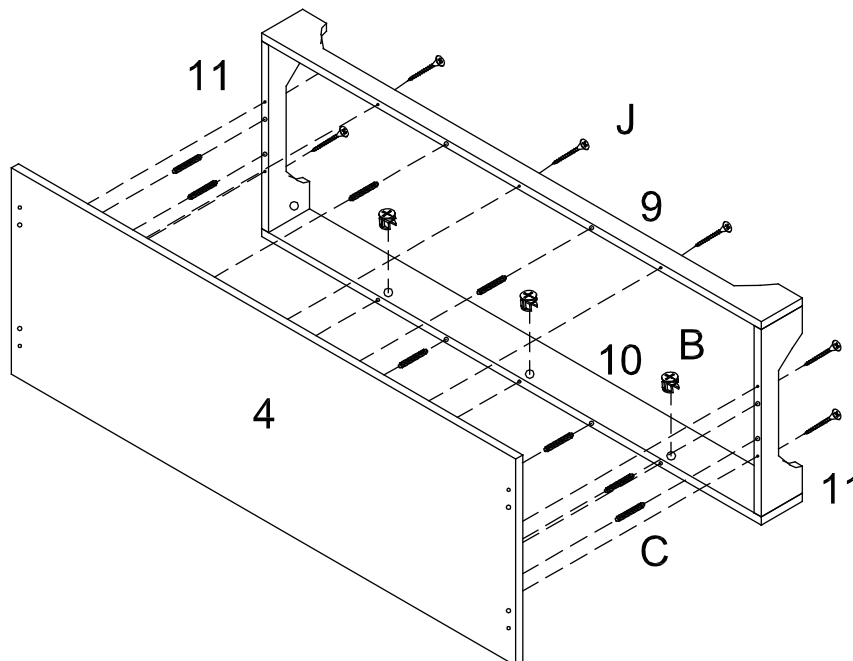
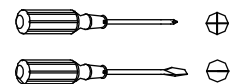
B		4 pcs
C		4 pcs



- Insert Wood Dowel (C) to Bottom Side Panel (11) as shown.
- Attach Bottom Front and Back Panel (9 & 10) to (11) via Cam-bolts on (9 & 10) and Wood dowels.
- Insert Cam-lock (B) into the holes on (11) then turn clockwise to lock onto Cam-bolt.

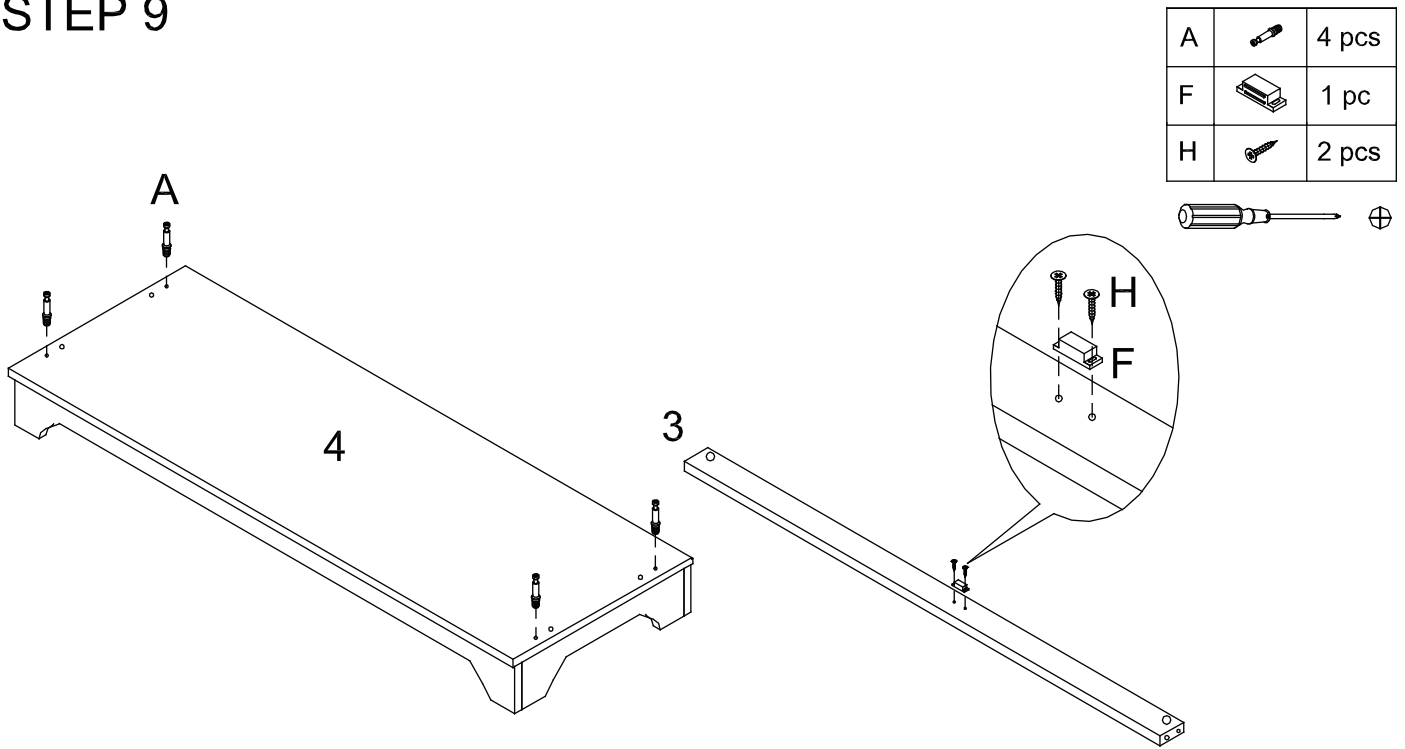
STEP 8

B		3 pcs
C		8 pcs
J		7 pcs



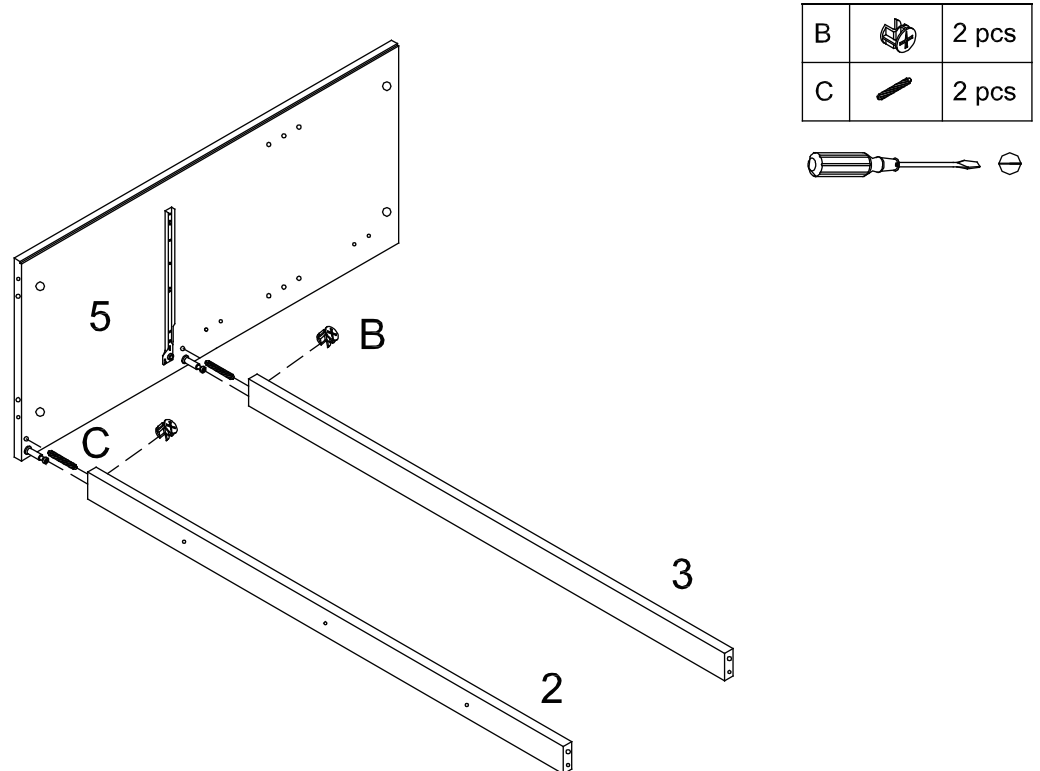
- Insert Wood Dowel (C) into designated holes on Bottom Assembly from STEP 7 .
- Attach Bottom Panel (4) to Bottom Assembly via Cam-bolts on (4) and Wood dowels.
- Insert Cam-lock (B) into the holes on (10) then turn clockwise to lock onto Cam-bolt.
- Use Screw (J) to fasten Bottom Front Panel (9) to (4).

STEP 9



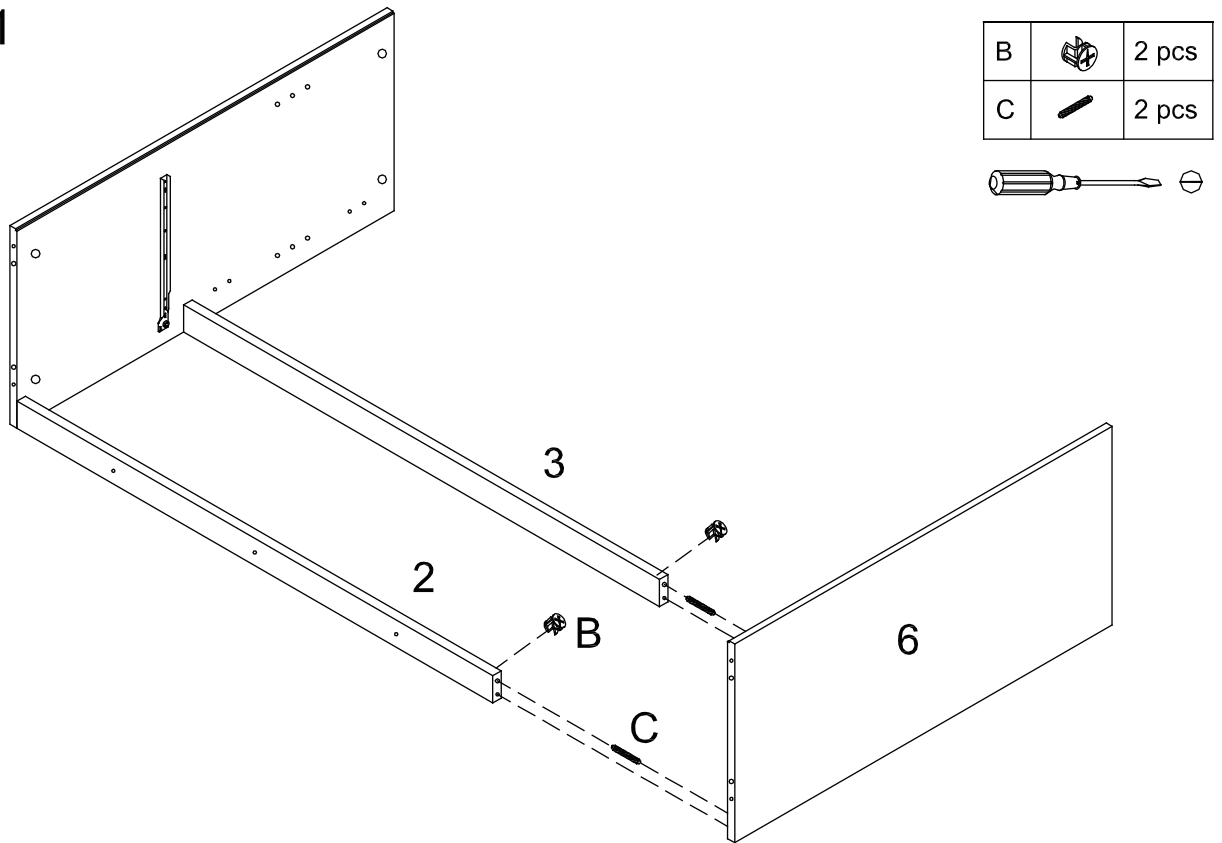
- Set Bottom Assembly from STEP 8 right-side up.
- Screw in Cam-bolt (A) into the designated outer 2 holes on Bottom Panel (4) as shown.
- Affix Magnetic Catch (F) to Middle Connect Bar (3) using Screw (H) as shown.

STEP 10



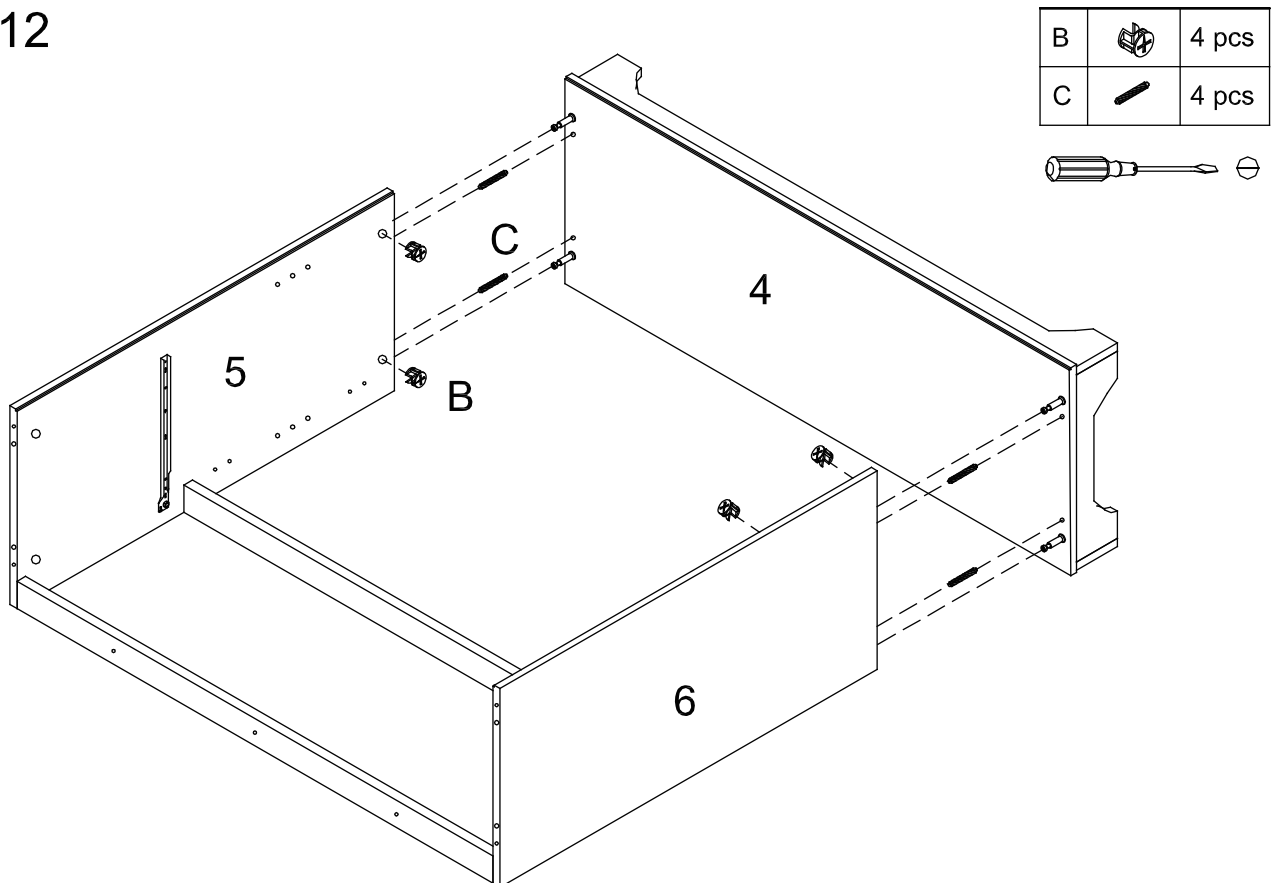
- Insert Wood Dowel (C) to Connect Bar (2 & 3) as shown.
- Attach (2 & 3) to Left Panel (5) via Cam-bolts on (5) and Wood dowels.
- Insert Cam-lock (B) into the holes on (2 & 3) then turn clockwise to lock onto Cam-bolt on (5).

STEP 11



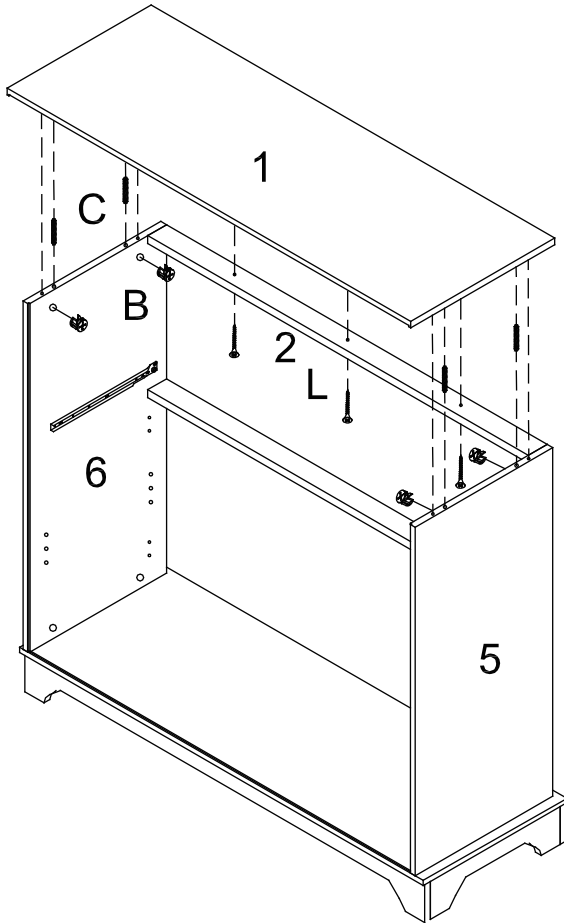
- Insert Wood Dowel (C) into the designated holes on (2 & 3) as shown.
- Attach Right Panel (6) to (2 & 3) via Cam-bolts and Wood dowels.
- Insert Cam-lock (B) into the holes on (2 & 3) then turn clockwise to lock onto Cam-bolt on (6).




STEP 12

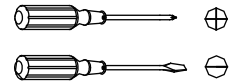


- Insert Wood Dowel (C) into the designated holes on (5 & 6) as shown.
- Attach Side Panels (5 & 6) to Bottom Panel (4) via Cam-bolts and Wood dowels.
- Insert Cam-lock (B) into the designated holes on (5 & 6) then turn clockwise to lock onto Cam-bolt on (4).

STEP 13

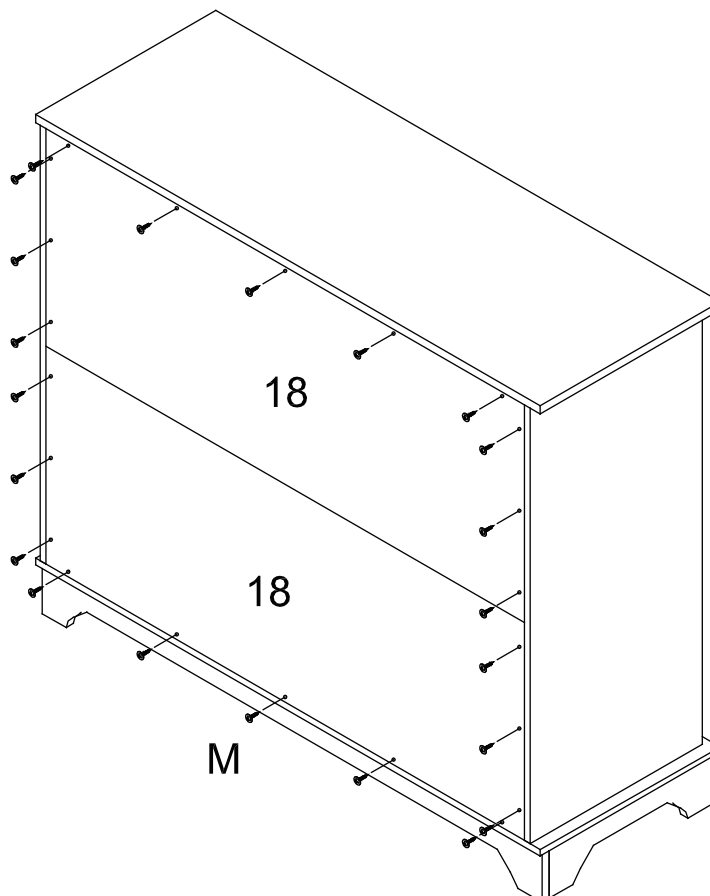


B		4 pcs
C		4 pcs
L		3 pcs



- Insert Wood Dowel (C) into the designated holes on (5 & 6) as shown.
- Attach Top Panel (1) to (5 & 6) via Cam-bolts and Wood dowels.
- Insert Cam-lock (B) into the holes on (5 & 6) then turn clockwise to lock onto Cam-bolt on (4).
- Fasten Connect Bar (2) to (1) using Screw (L).

STEP 14




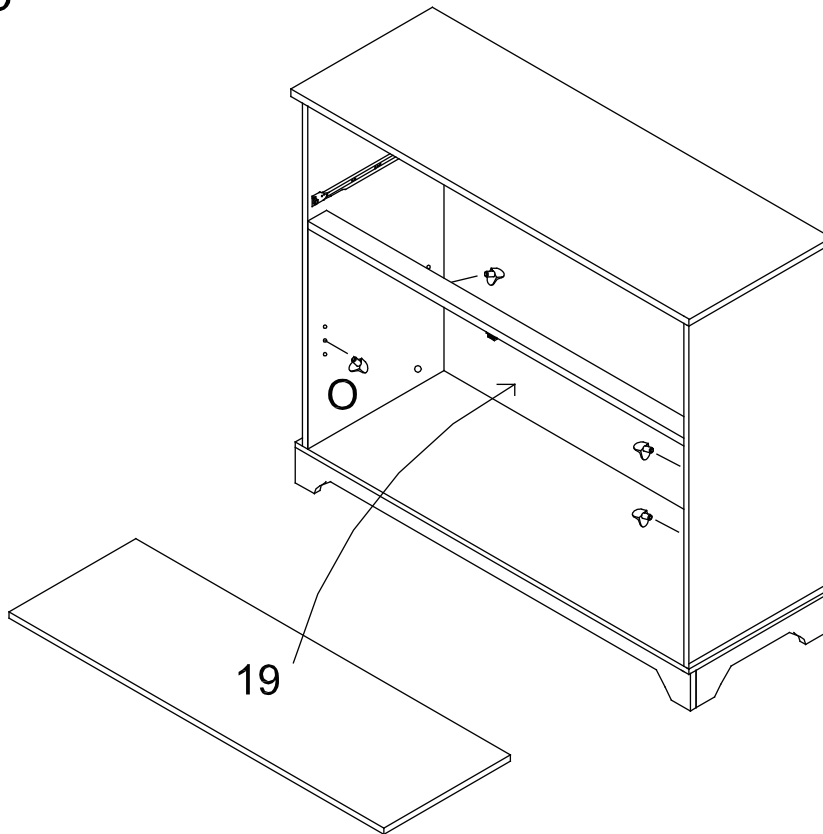
M		22 pcs
---	---	--------



Position Back Panels (18) as shown. Use Screw (M) and follow the screw lay-out to fasten Back Panel.




STEP 15

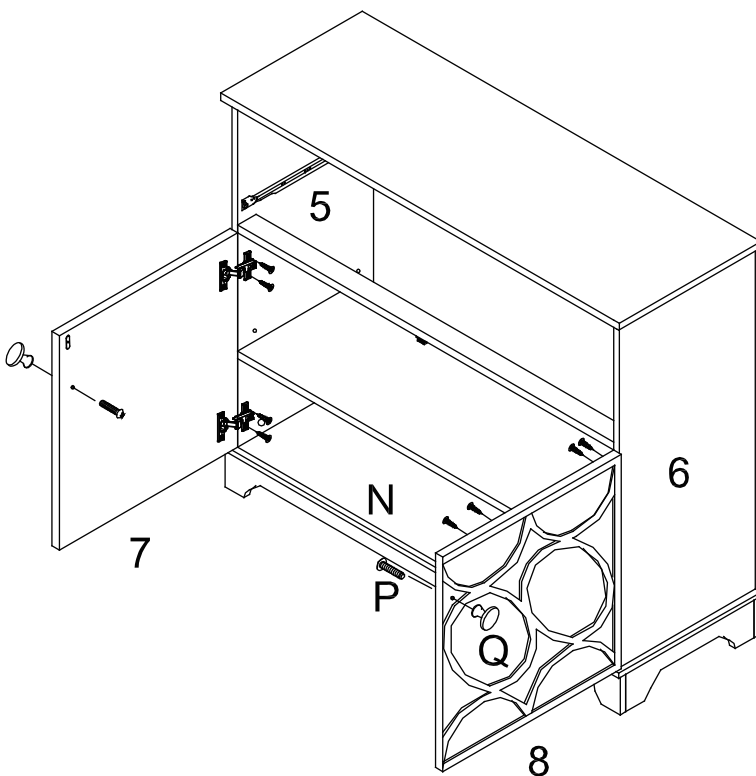
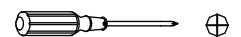
O		4 pcs
---	---	-------



Insert Shelf Pin (O) into designated holes on the same level at the desired height on Side Panels. Place Adjustable Shelf (19) by tilting it to fit between Side Panels and then level it so sit on (O).

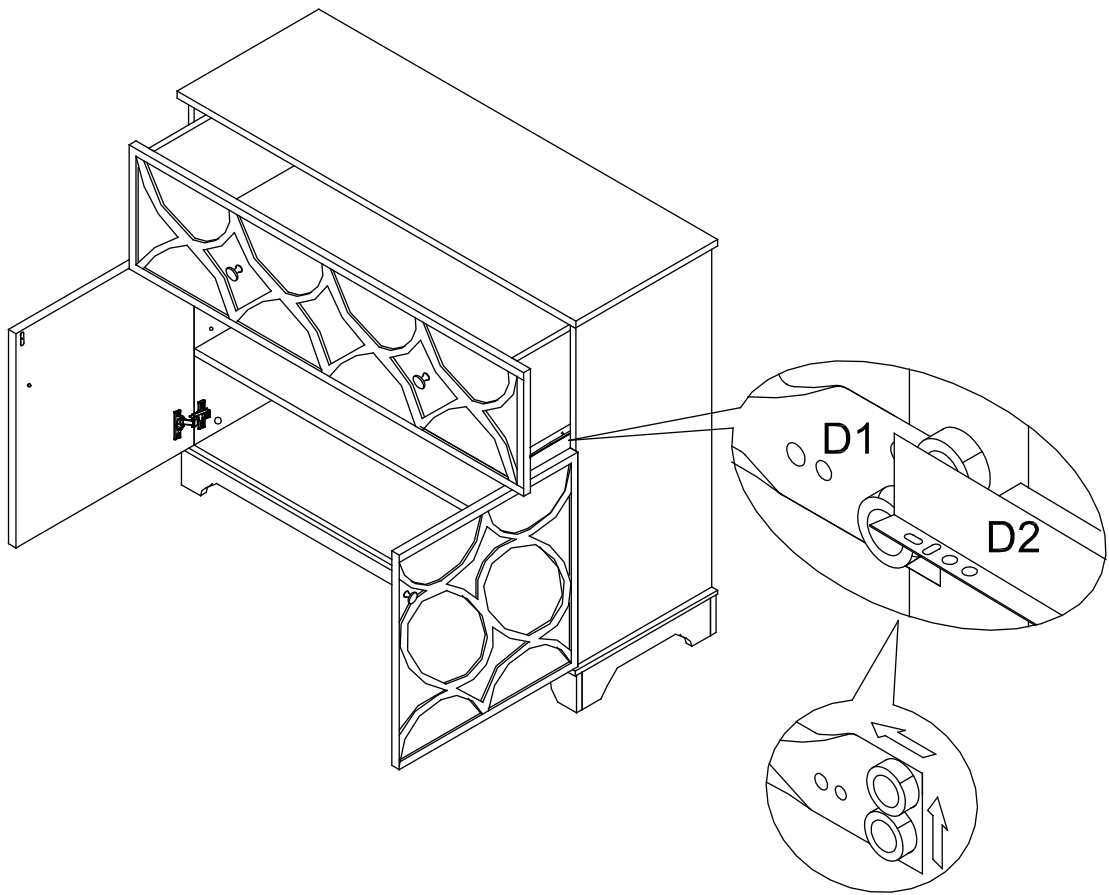
STEP 16

N		8 pcs
P		2 pcs
Q		2 pcs



- Locate pilot holes for hinge on Side Panels 5 & 6.
- Fasten wing of hinge on Door (7 & 8) to Side Panels (5 & 6) using Screw (N).
- Attach Knob (Q) to Door using Knob Bolt (P).

STEP 17

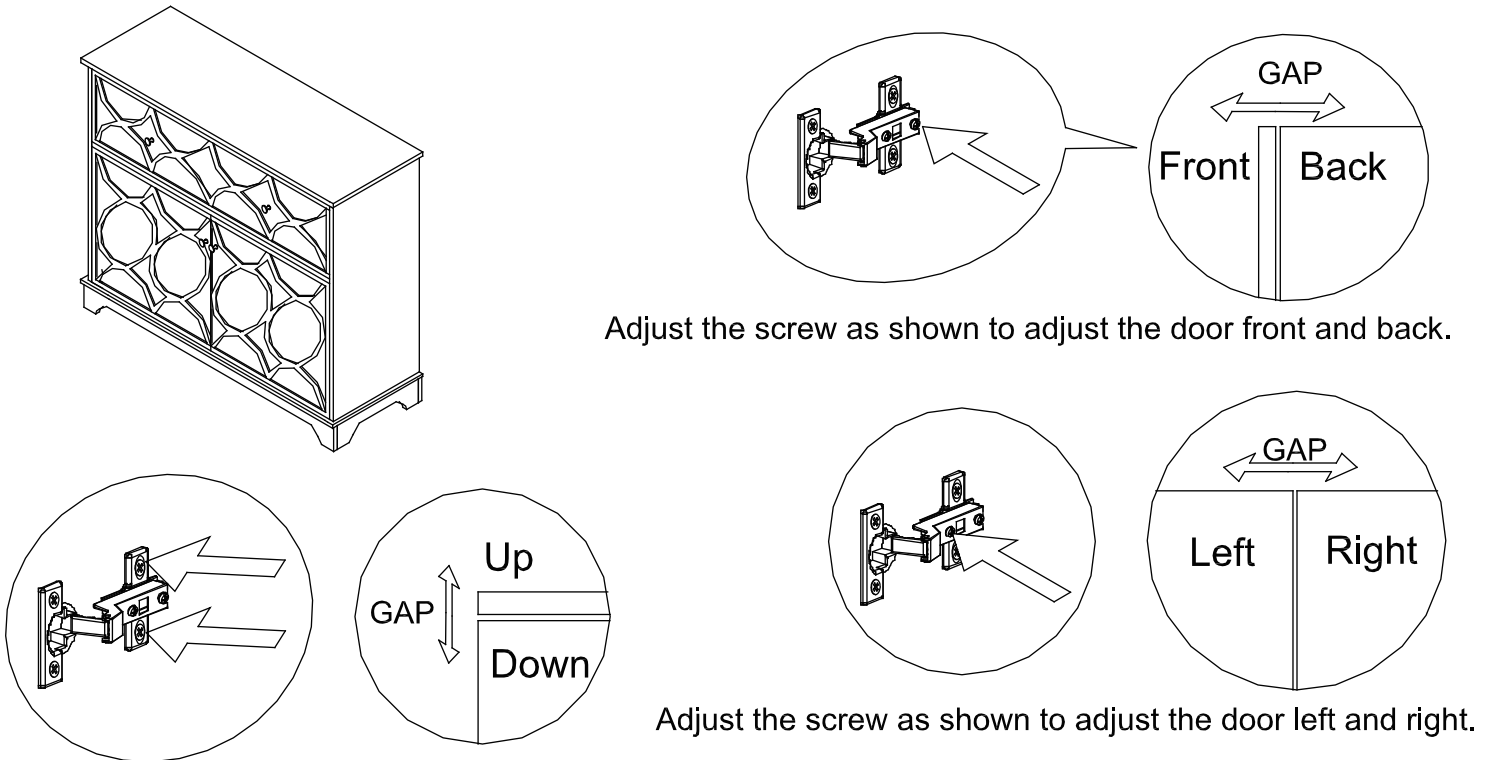


Insert Drawer

- Align roller on Drawer Glide Runner (D2) on drawer to be above the roller on Drawer Glide Track (D1) on Left/Right Panel, and slide roller on (D2) into track rail on (D1).
- Push drawer squarely and gently to allow (D2) to slide into (D1).

STEP 18

Door Adjustments - If necessary, adjust the doors to reduce gap between doors and also for a better fit.



Adjust the screw as shown to adjust the door front and back.

Adjust the screw as shown to adjust the door left and right.

Adjust the screw as shown to adjust the door up and down.

The assembly of the cabinet is complete.