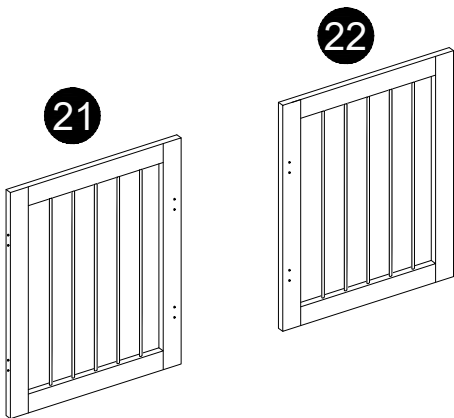
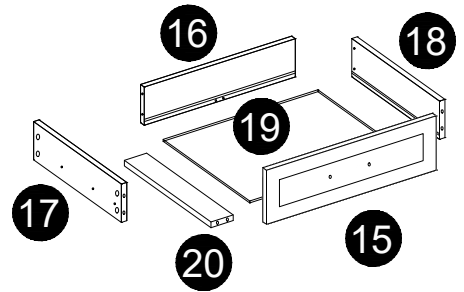
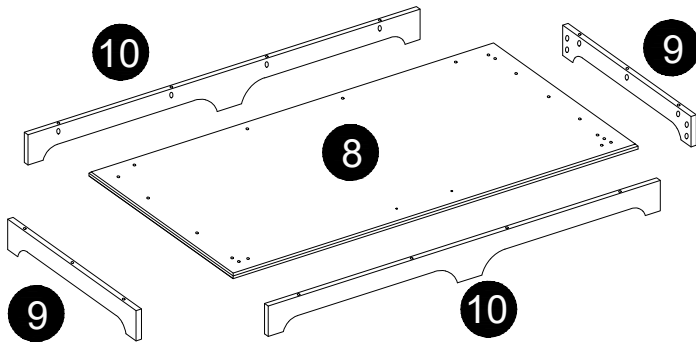
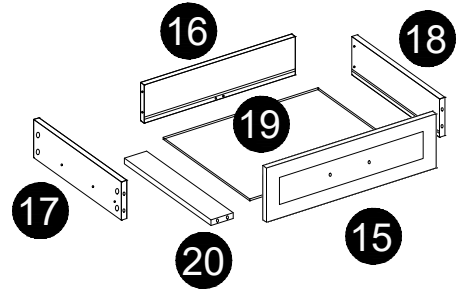
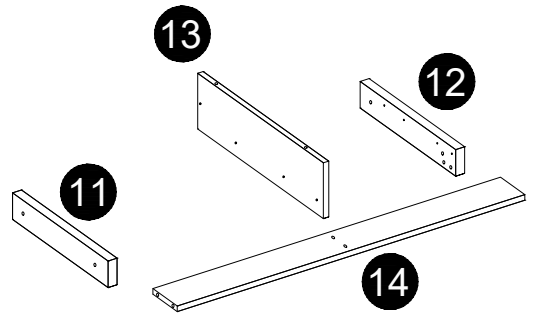
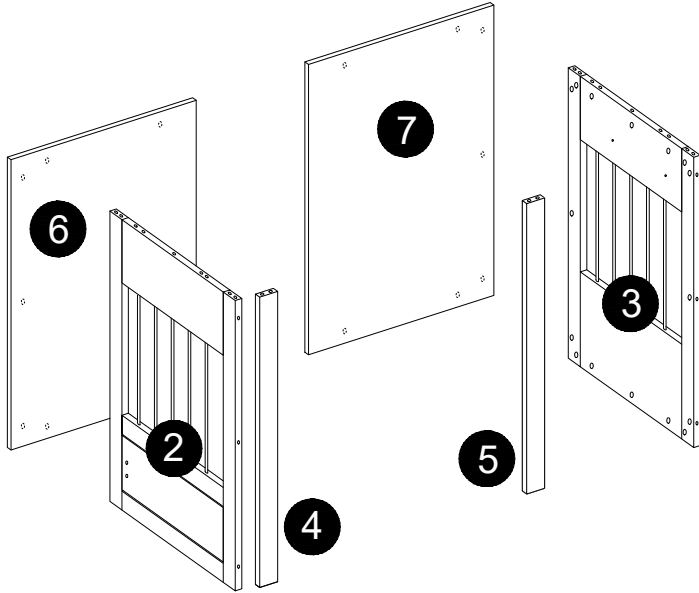
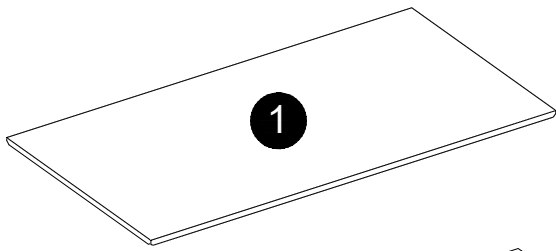
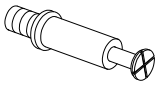
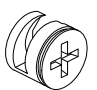

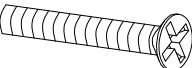
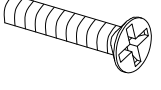
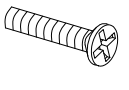

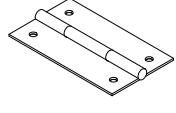
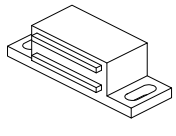
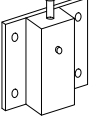
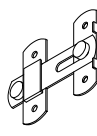
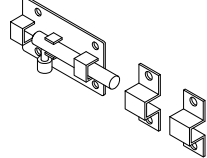
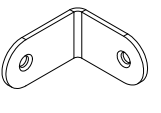
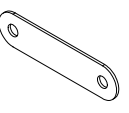
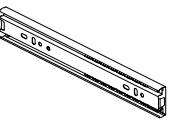
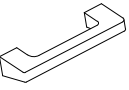
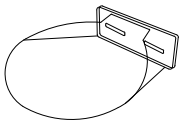

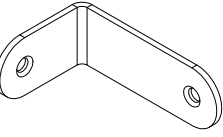
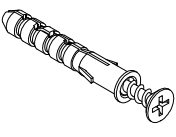


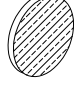


N704P379112

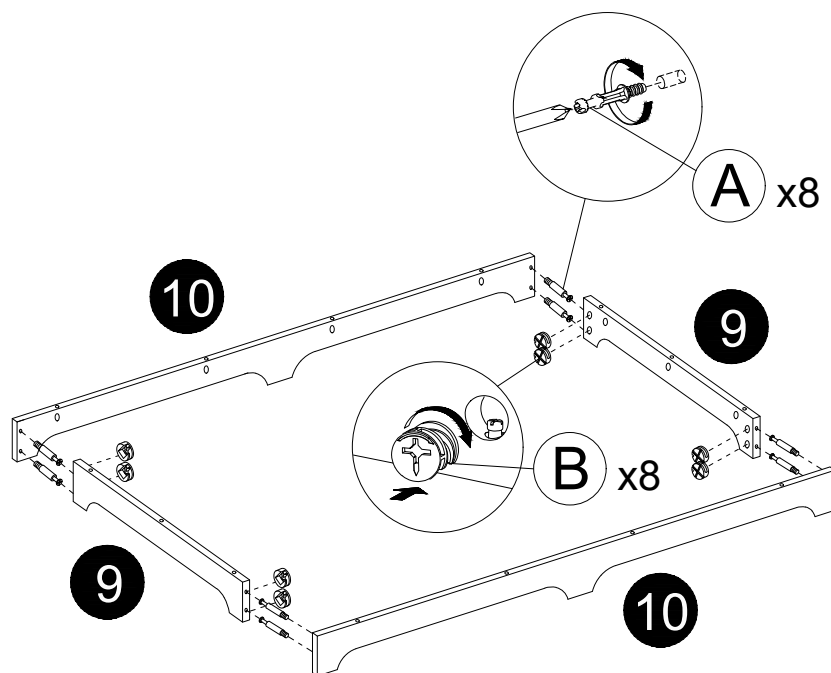
Assembly Instruction







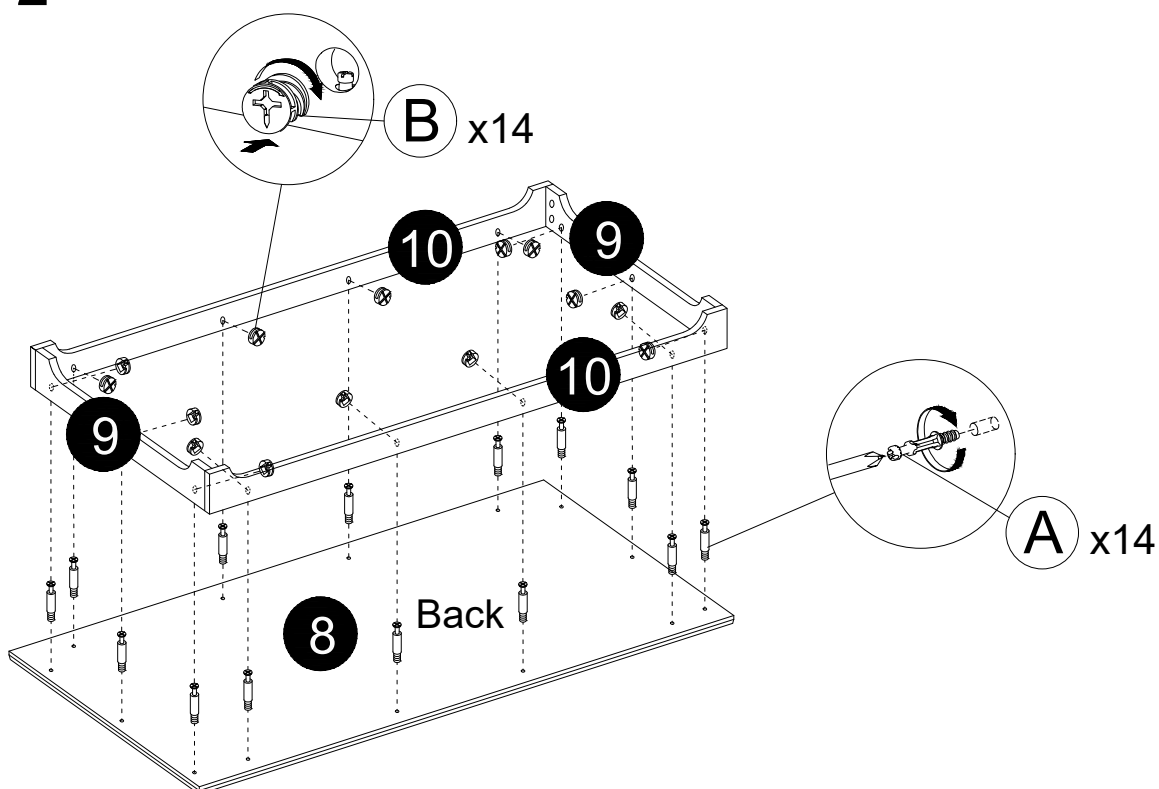
<p>A</p>  <p>95PCS</p>	<p>B</p>  <p>95PCS</p>	<p>C</p>  <p>M3.5*15mm 70PCS</p>	<p>D</p>  <p>M6*40mm 4PCS</p>
<p>E</p>  <p>M6*15mm 4PCS</p>	<p>F</p>  <p>M4*18mm 4PCS</p>	<p>G</p>  <p>16PCS</p>	<p>H</p>  <p>4PCS</p>
<p>I</p>  <p>2PCS</p>	<p>J</p>  <p>2PCS</p>	<p>K</p>  <p>2PCS</p>	<p>L</p>  <p>1PC</p>
<p>M</p>  <p>2PCS</p>	<p>N</p>  <p>2PCS</p>	<p>O</p>  <p>4PCS</p>	<p>P</p>  <p>2PCS</p>
<p>Q</p>  <p>2PCS</p>	<p>R</p>  <p>2PCS</p>	<p>S</p>  <p>2PCS</p>	<p>T</p>  <p>2PCS</p>
<p>U</p>  <p>1PC</p>	<p>W</p>  <p>M3.5*12mm 12PCS</p>	<p>X</p> 	



STEP 1



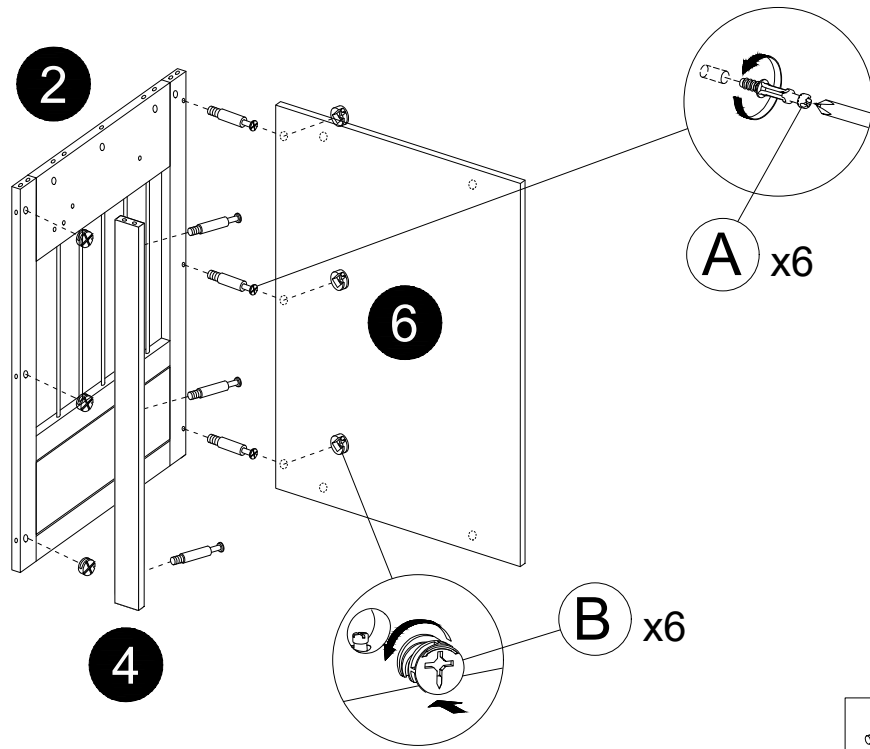
	Ax8
	Bx8



STEP 2



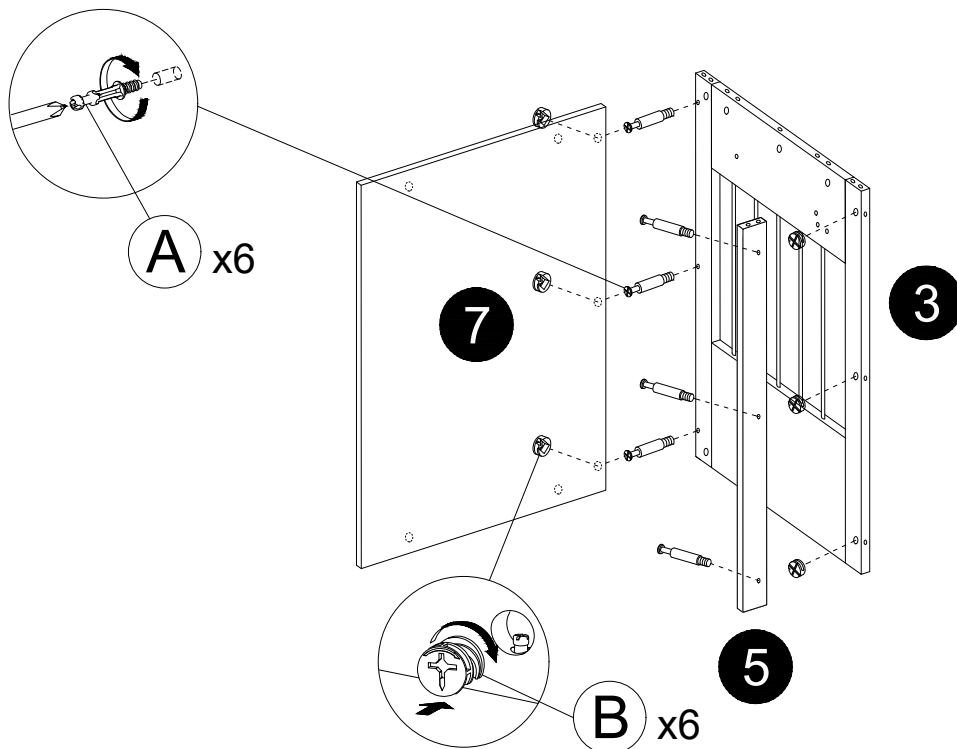
	Ax14
	Bx14



STEP 3



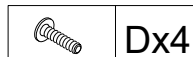
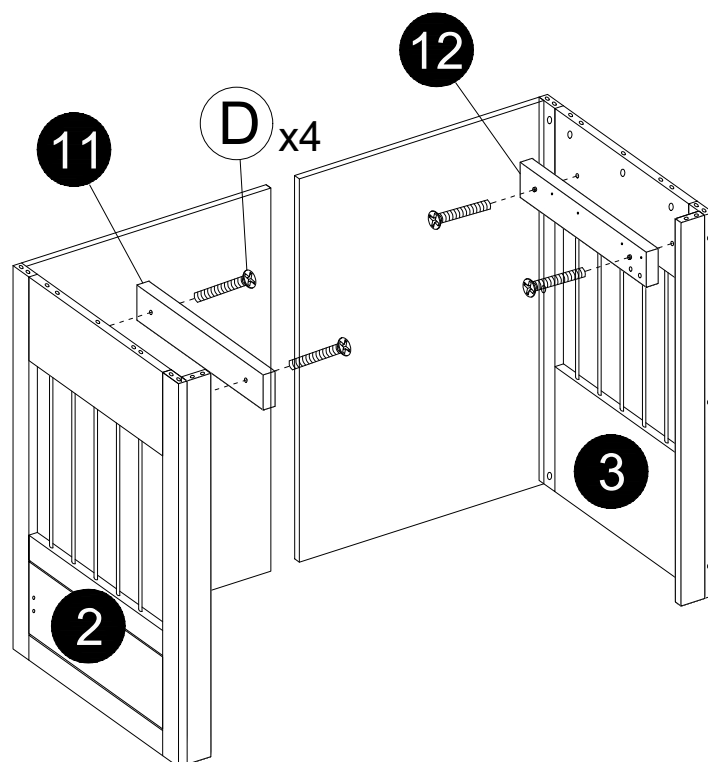
	Ax6
	Bx6

STEP 4

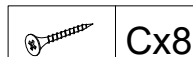
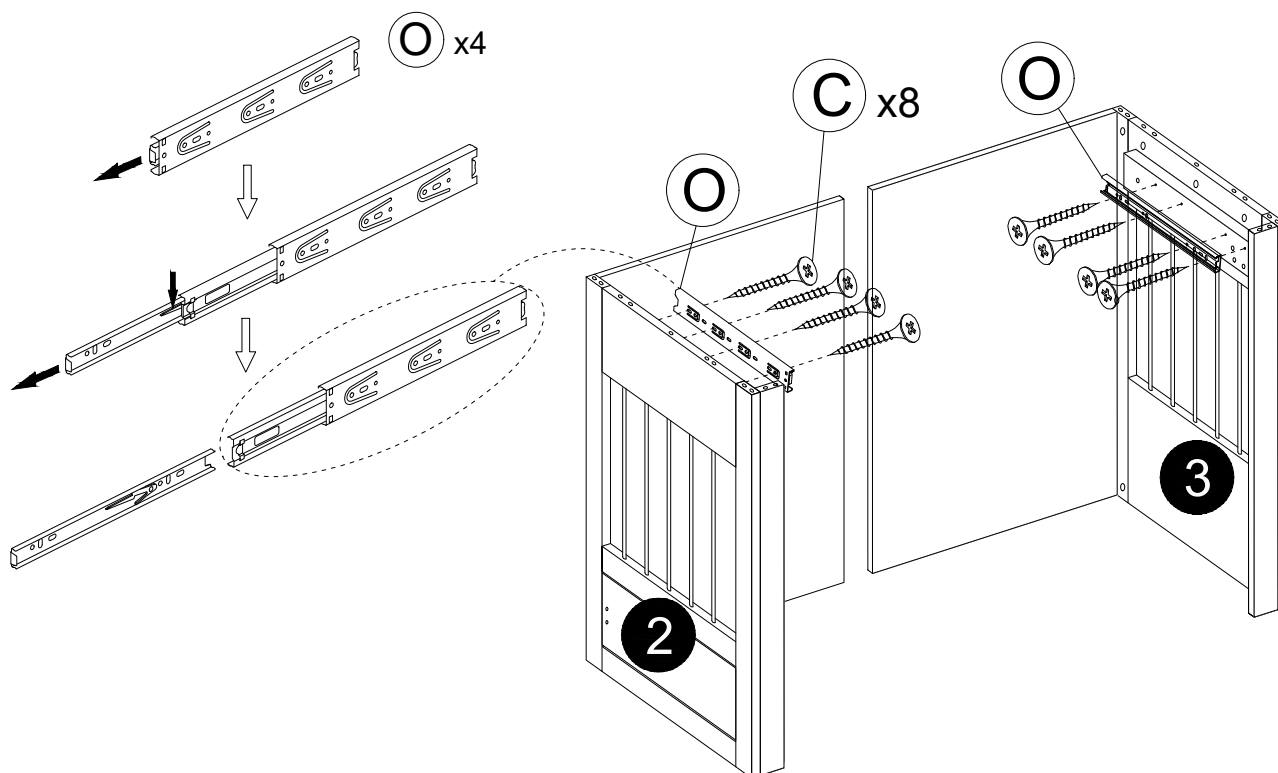


	Ax6
	Bx6

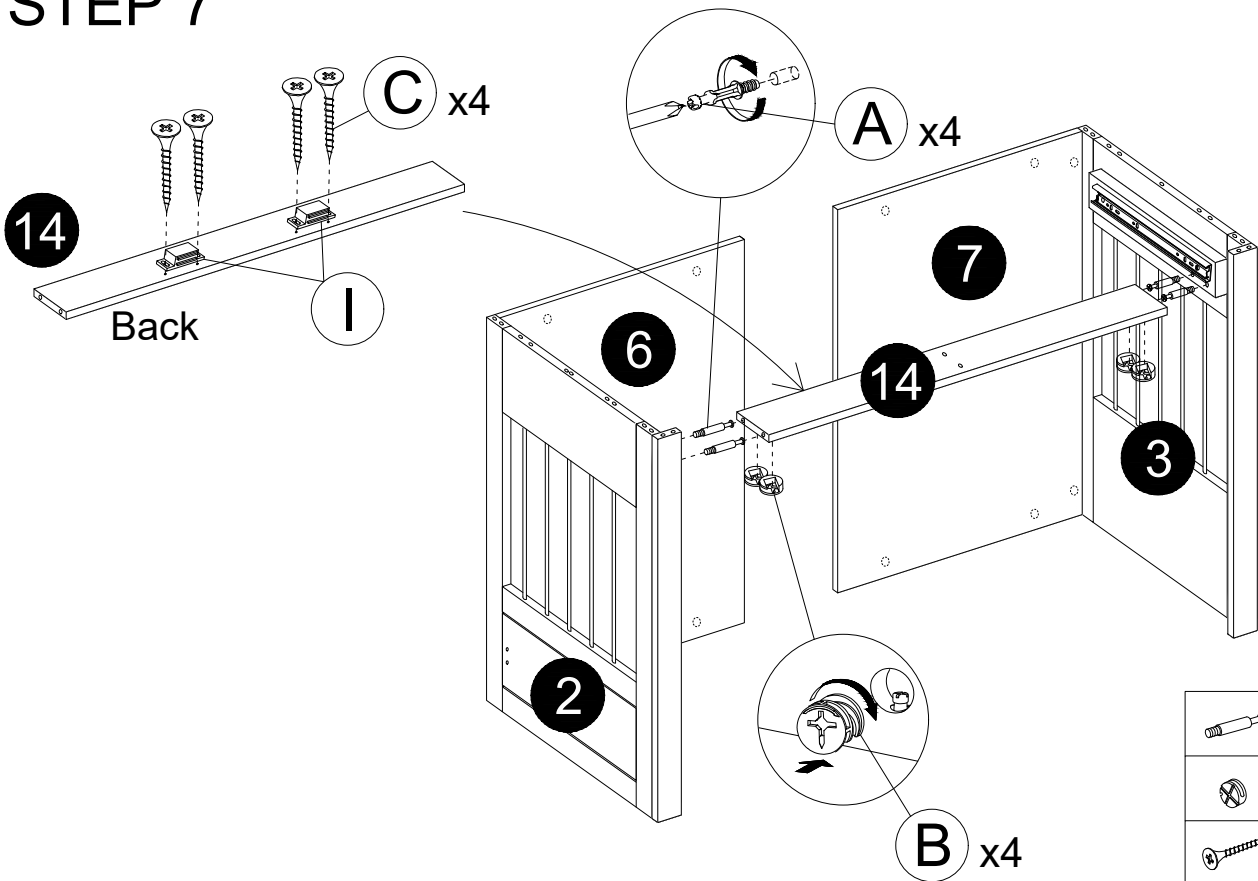
STEP 5



STEP 6

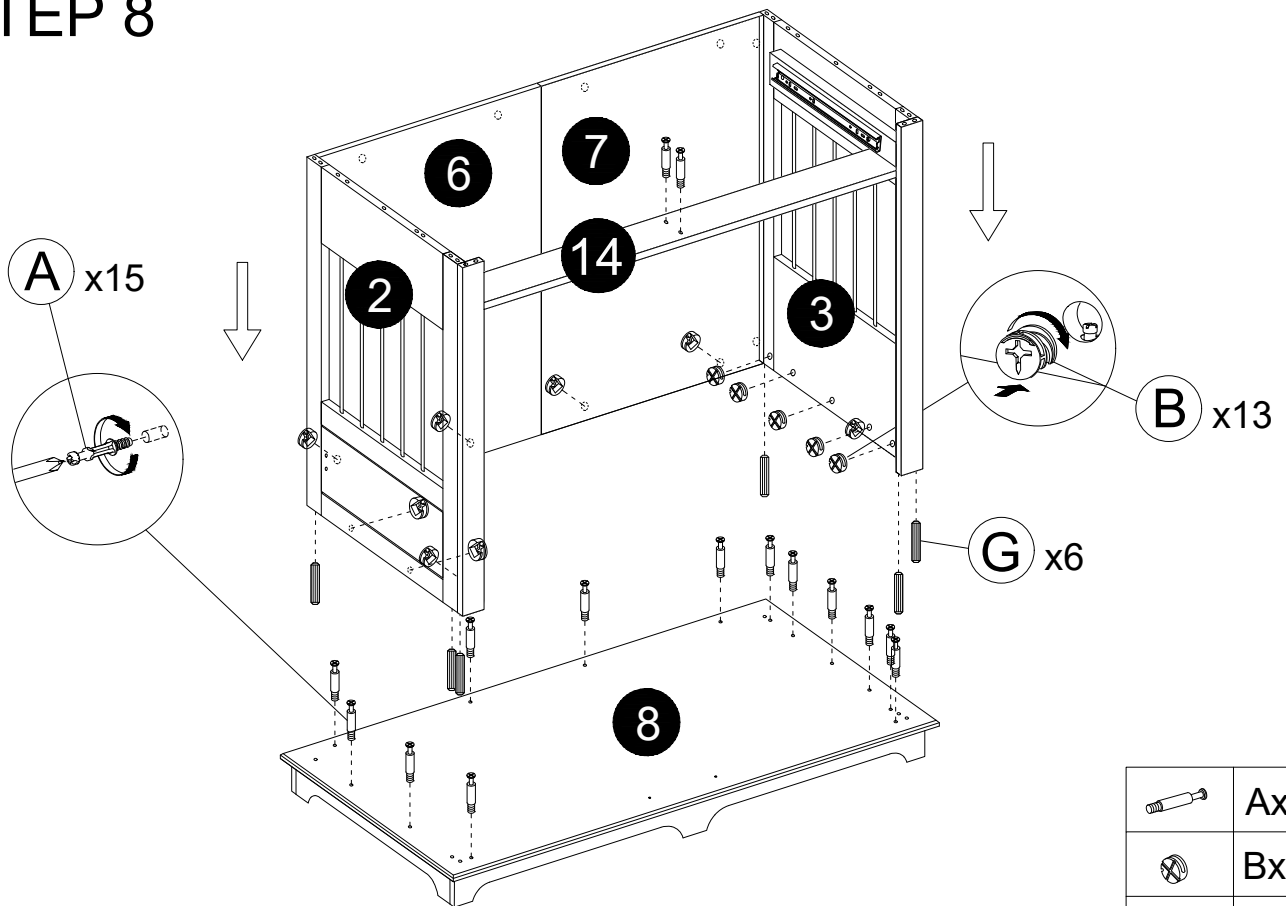


STEP 7



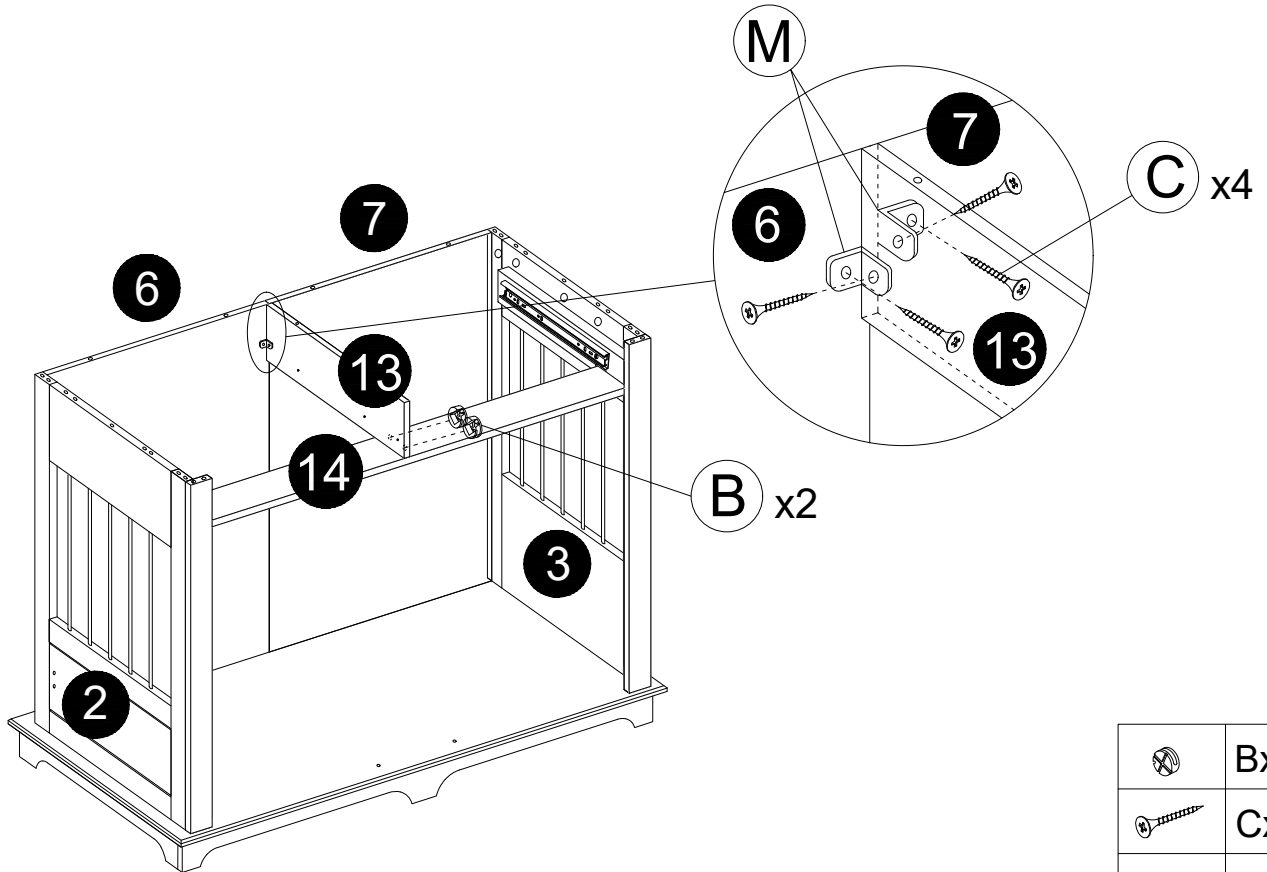
	Ax4
	Bx4
	Cx4
	Ix2




STEP 8



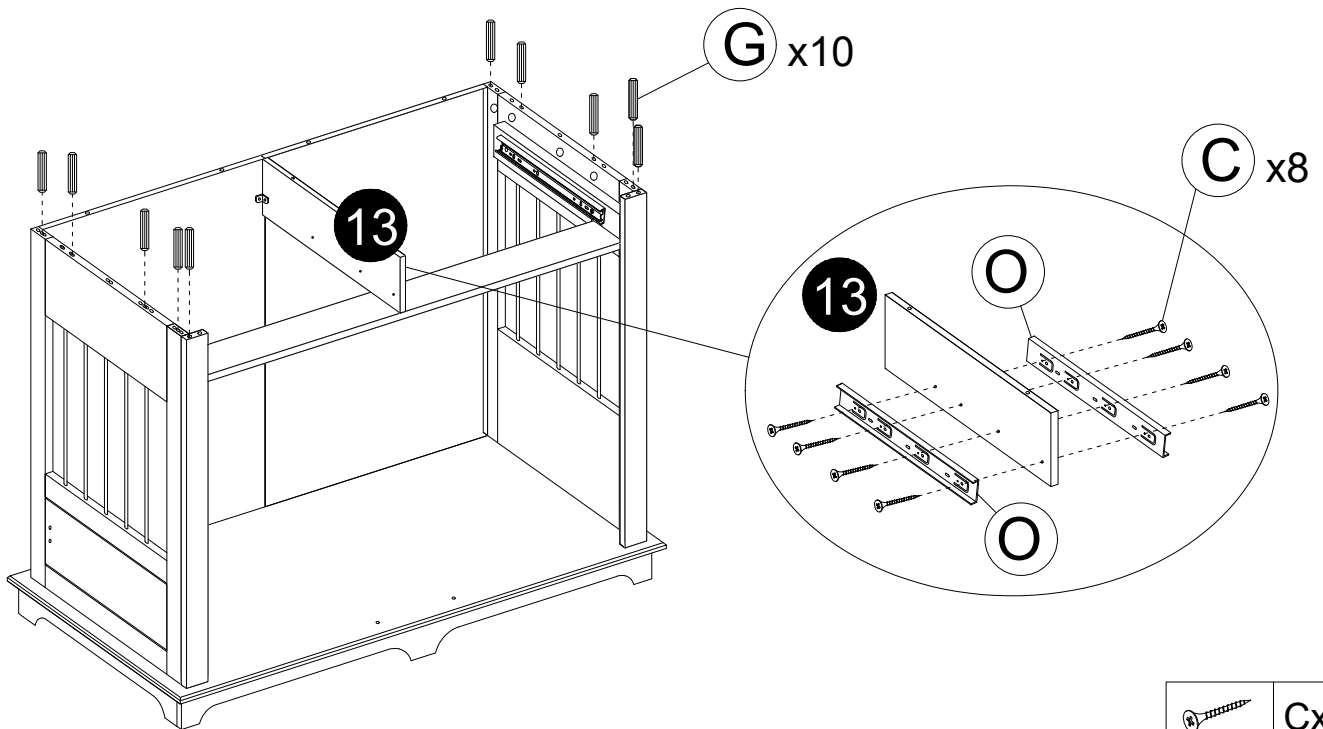
	Ax15
	Bx13
	Gx6




STEP 9



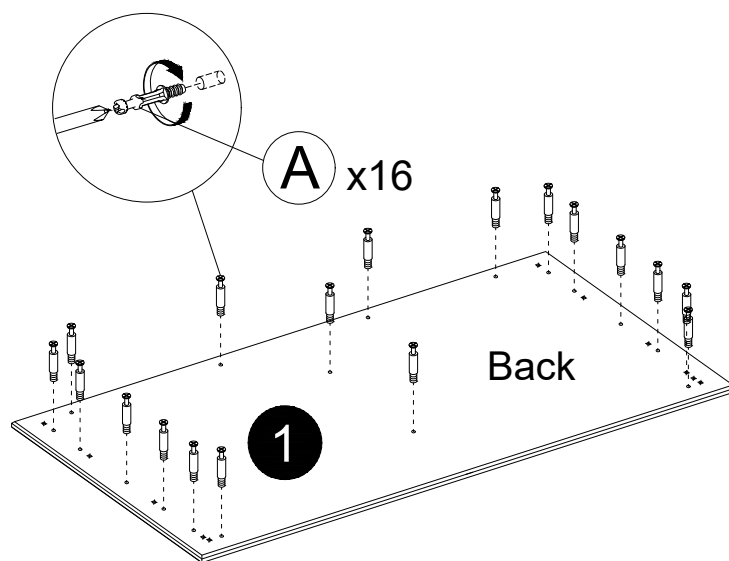
	Bx2
	Cx4
	Mx2

STEP 10



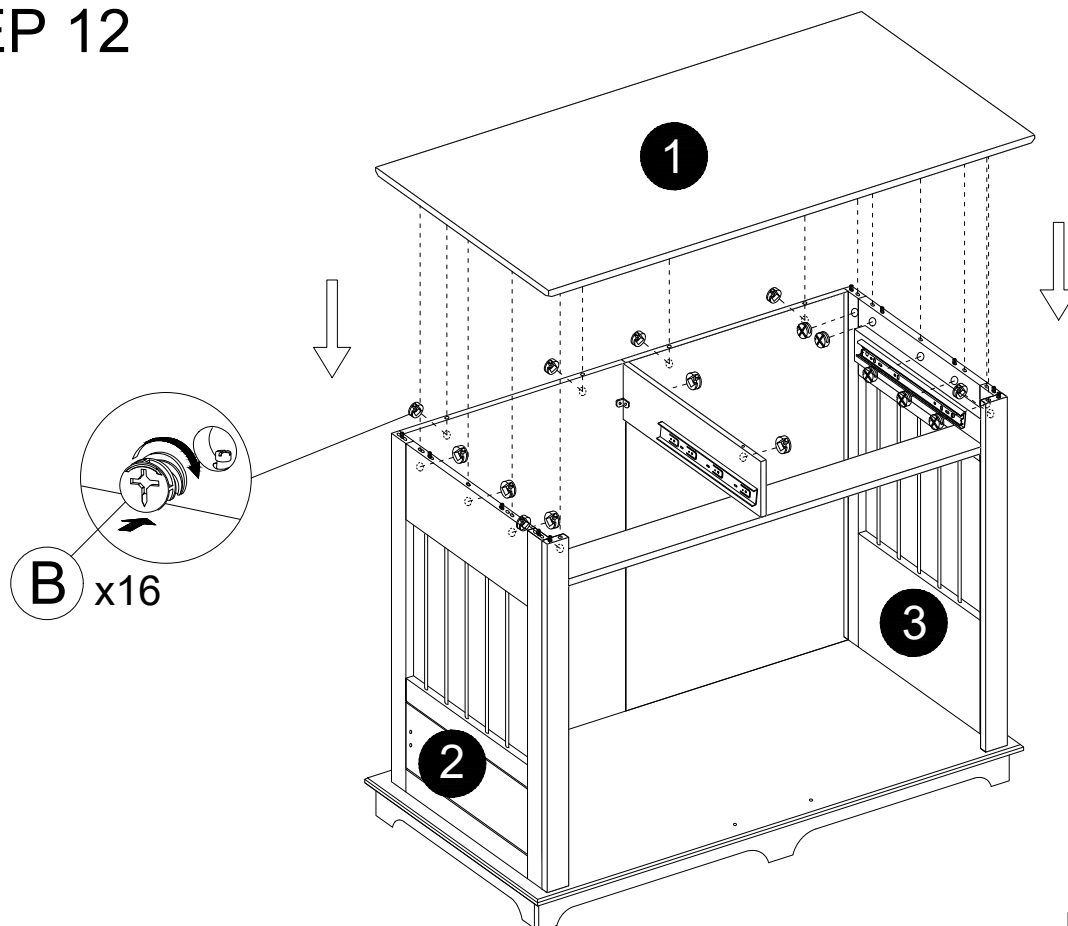
	Cx8
	Gx10
	Ox2

STEP 11



Ax18

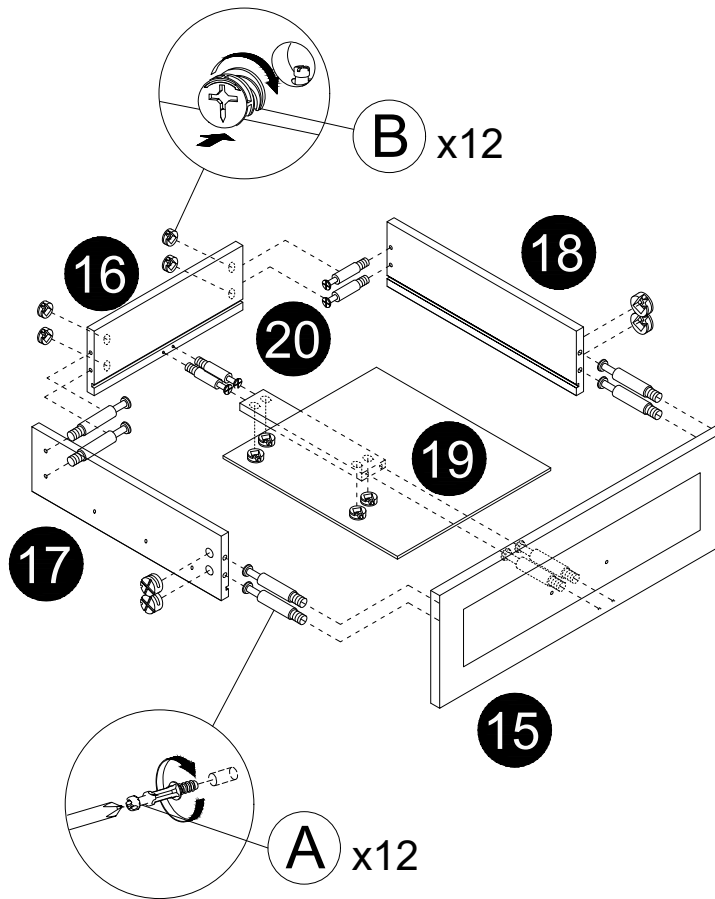
STEP 12





Bx16

STEP 13

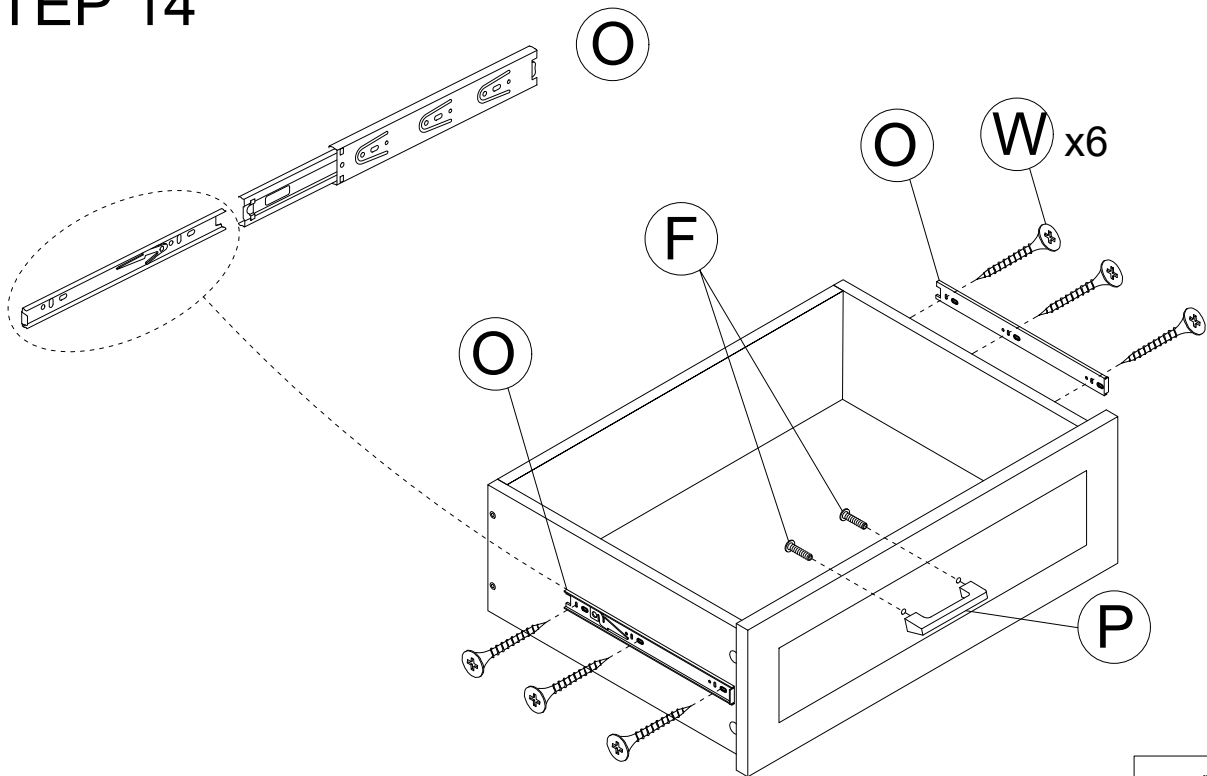
X2






	Ax24
	Bx24

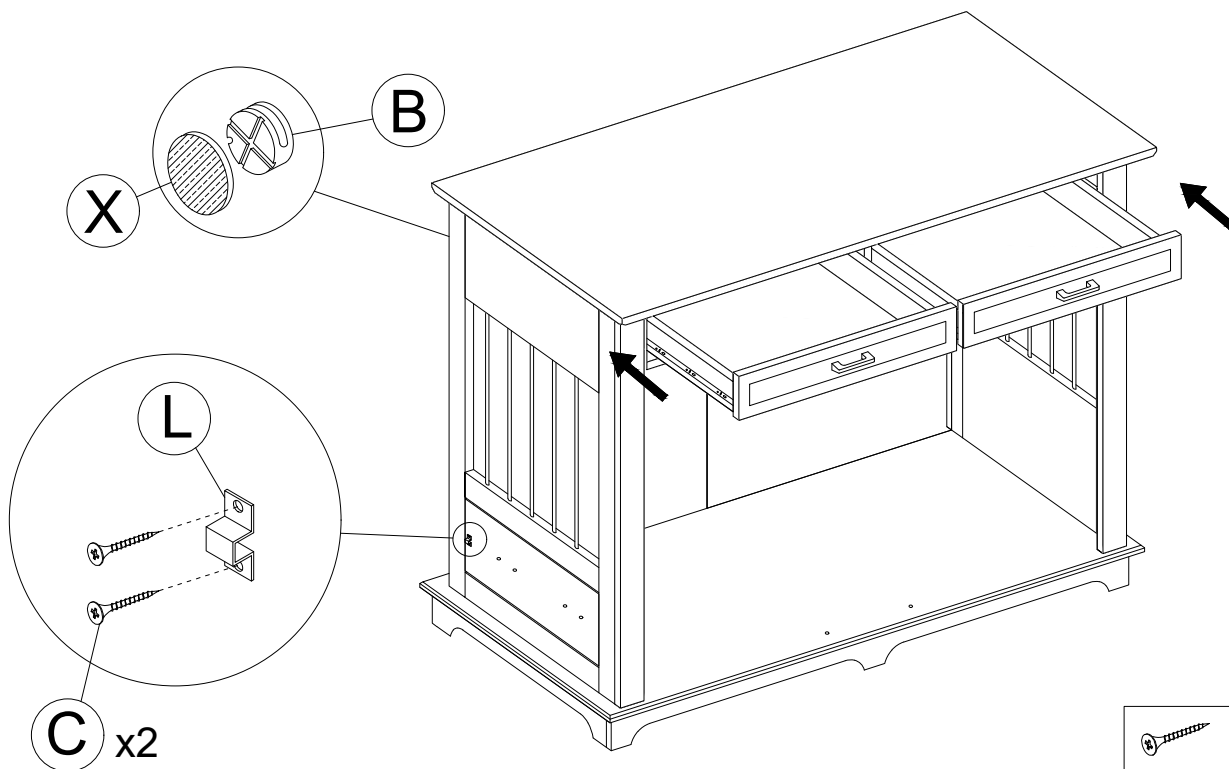
STEP 14




X2



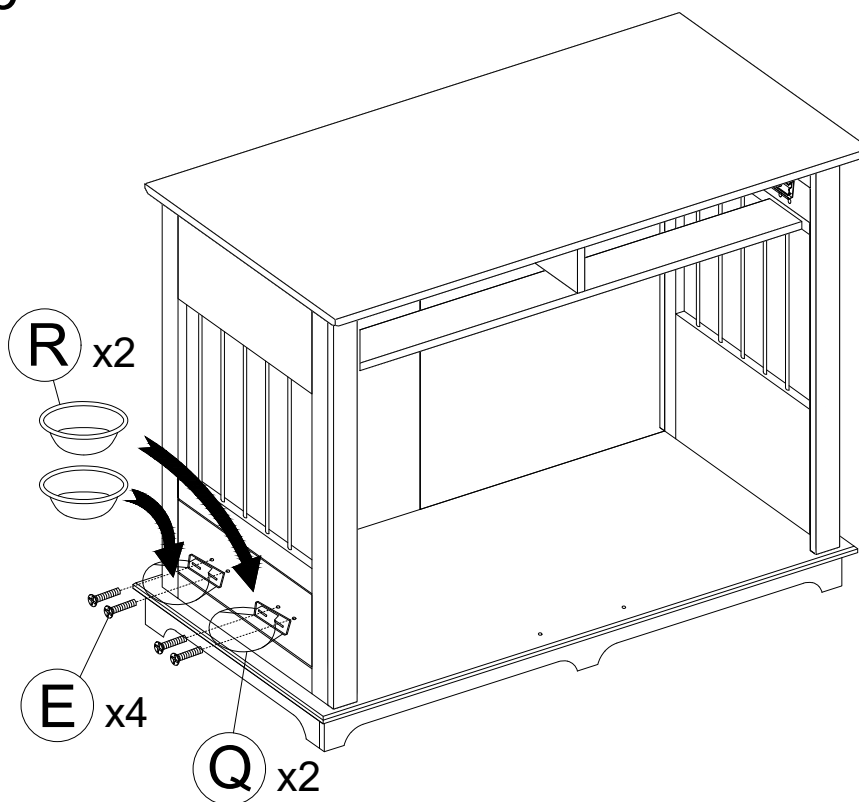
	Wx12
	Fx4
	Px2




STEP 15



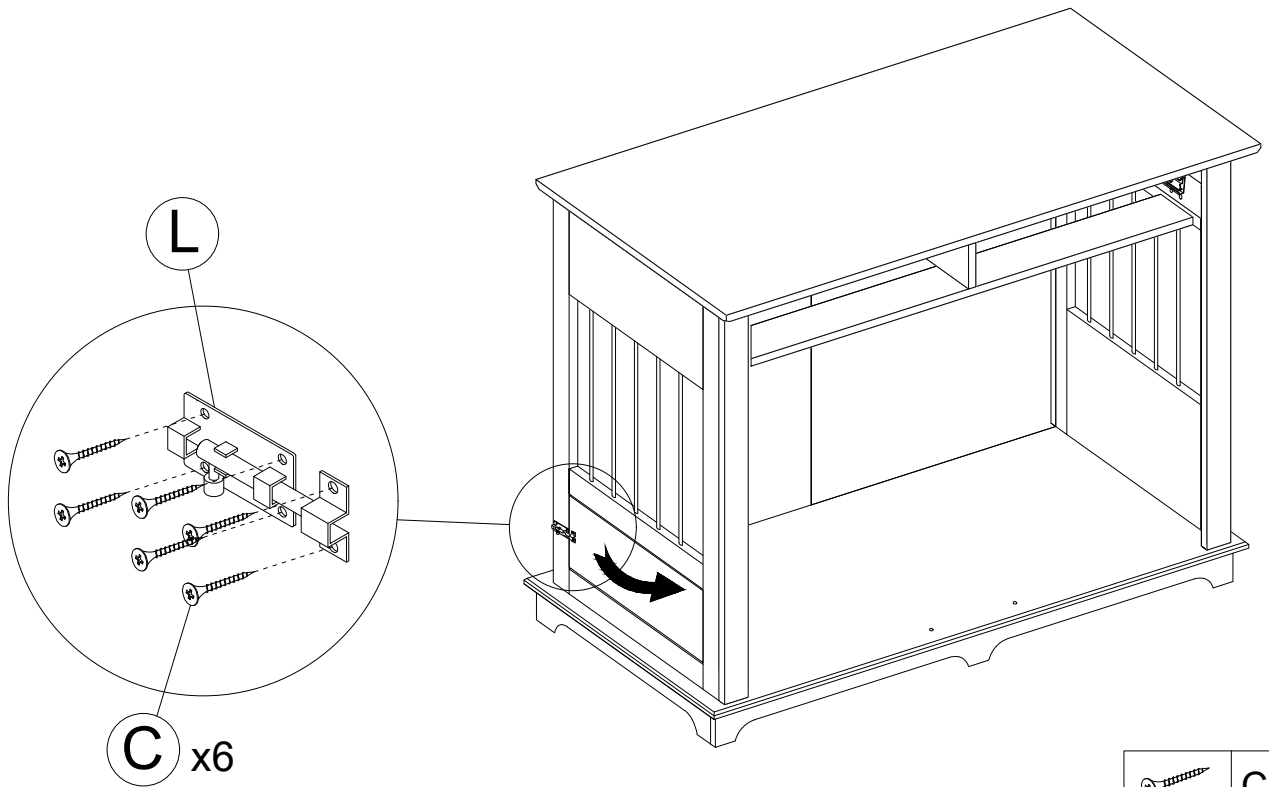
	Cx2
	Lx1
	X


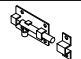
STEP 16



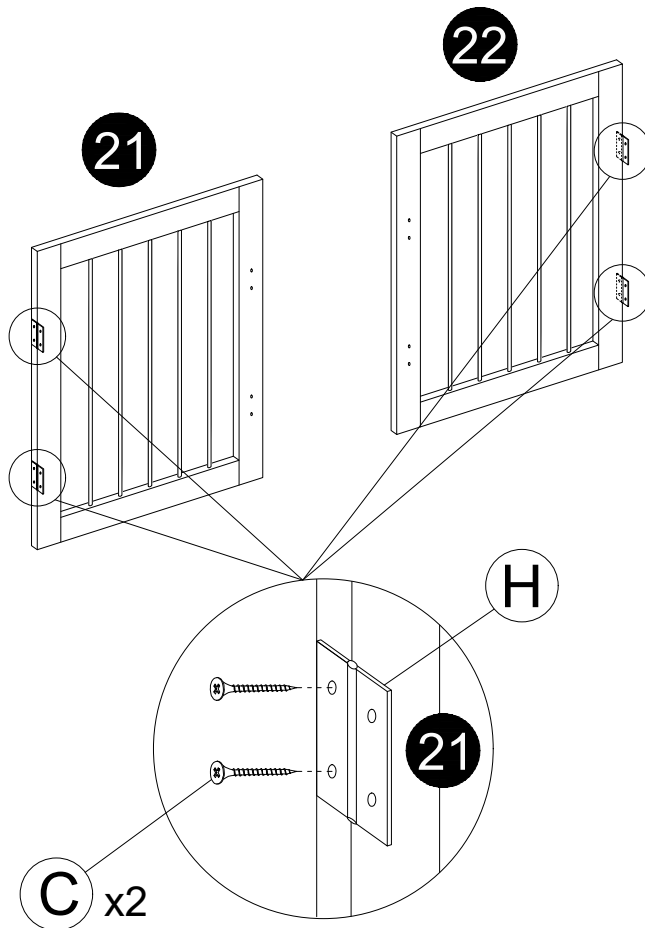
	Ex4
	Qx2
	Rx2



STEP 17



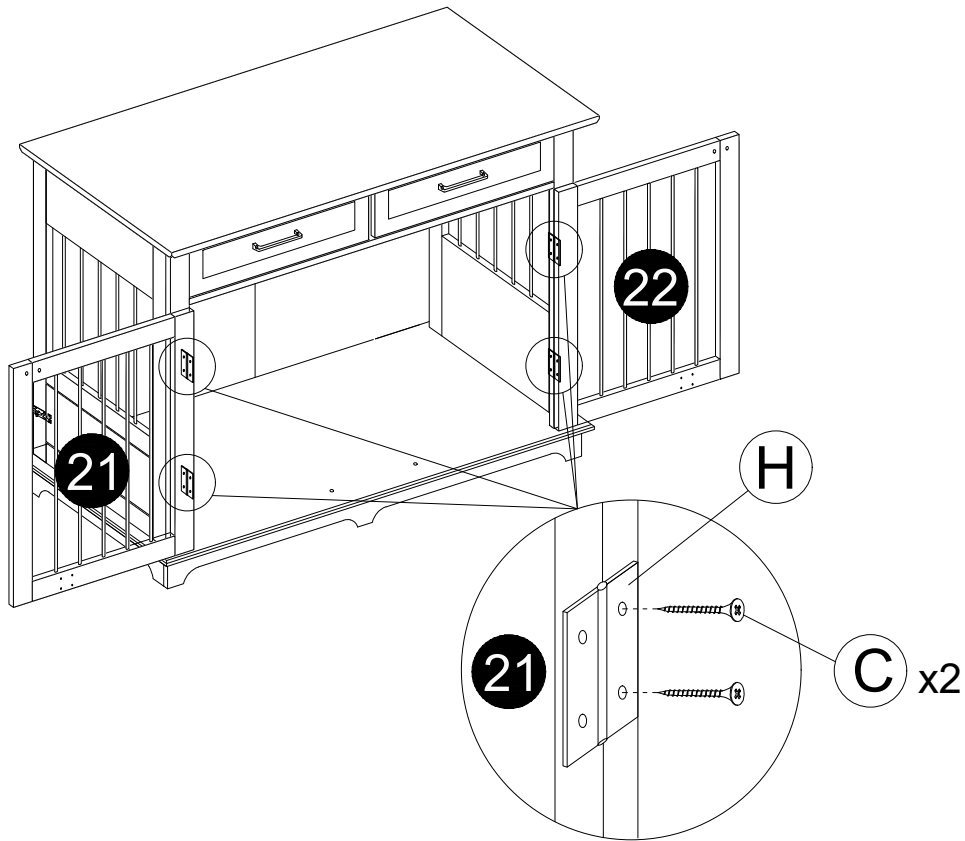
	Cx6
	Lx1


STEP 18



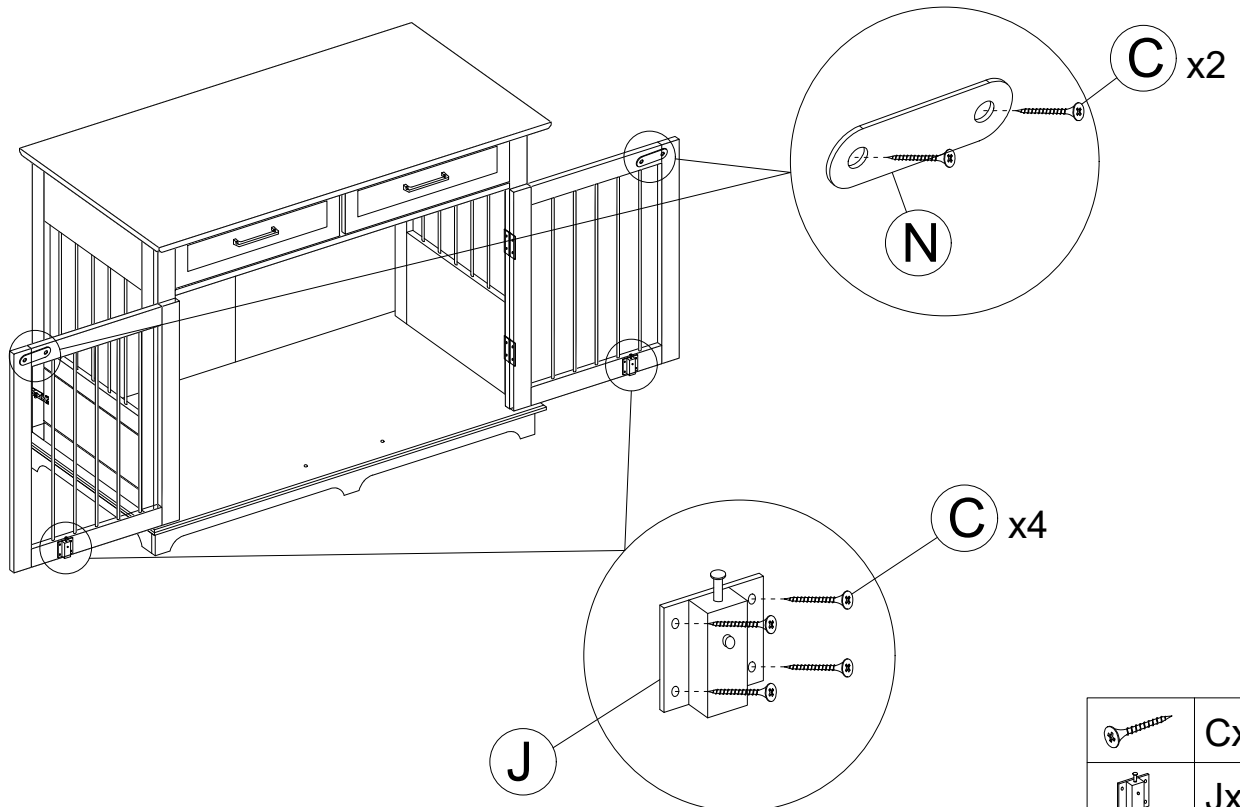
	Hx4
	Cx8


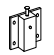

STEP 19



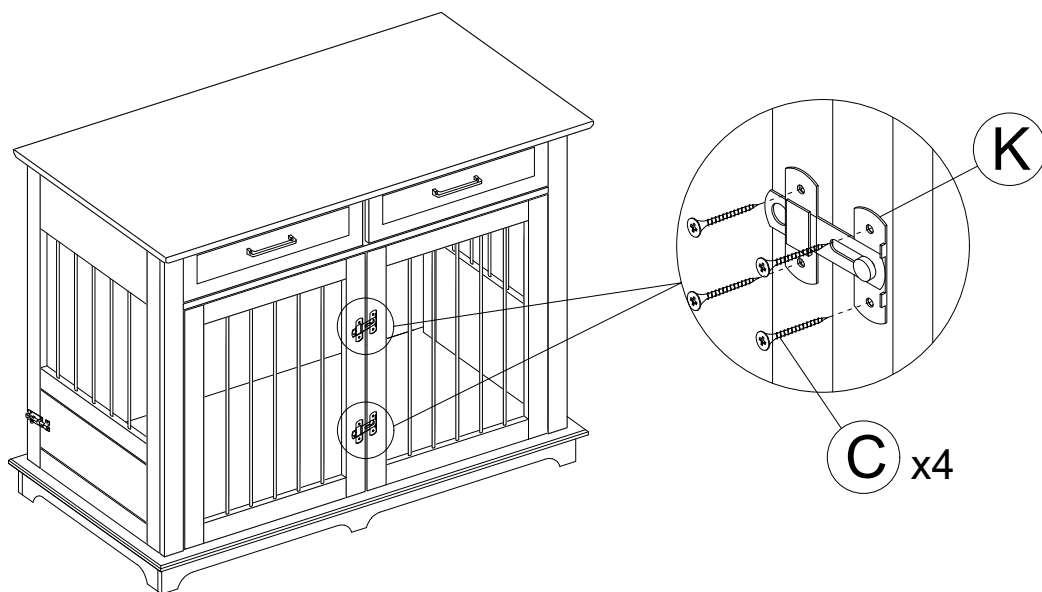
	Cx8
---	-----



STEP 20



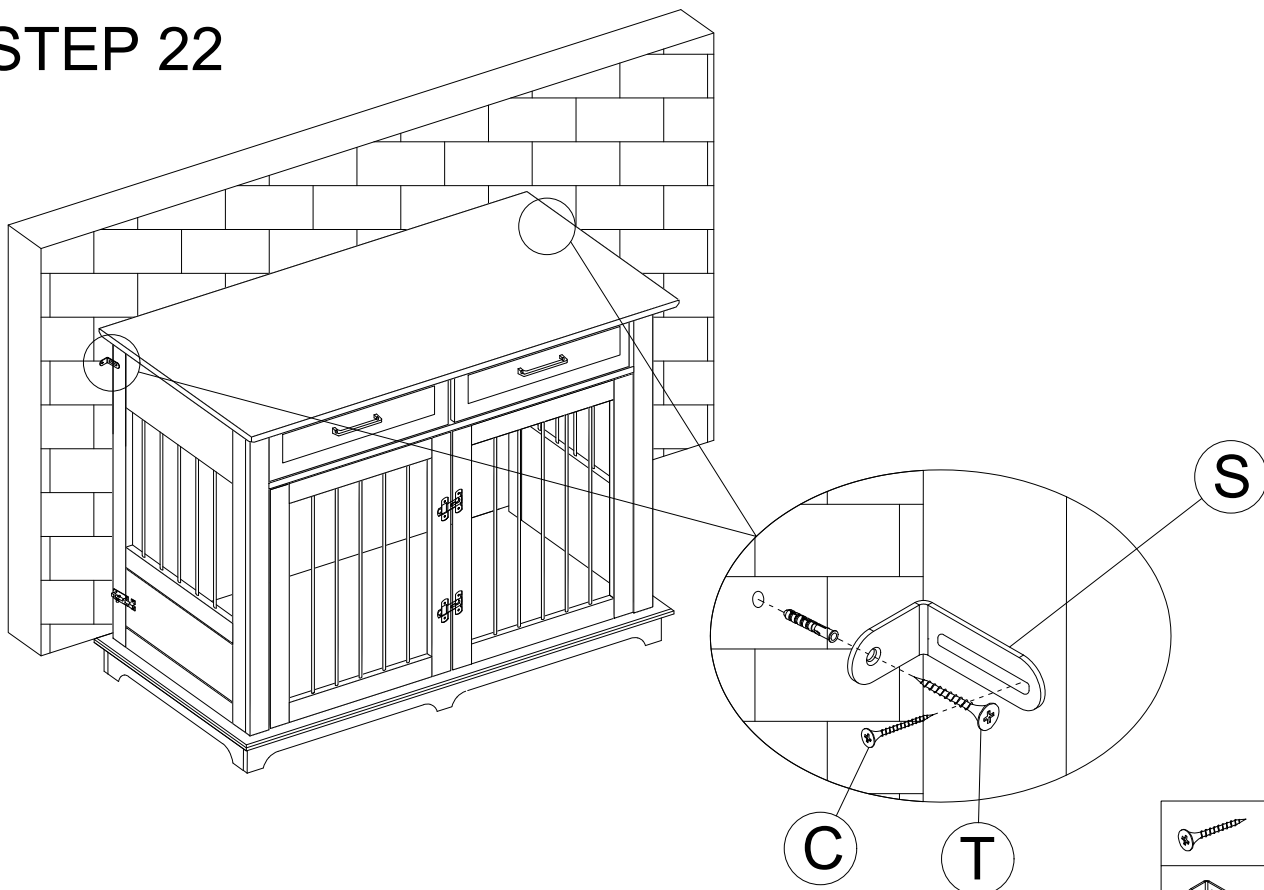
	Cx12
	Jx2
	Nx2




STEP 21

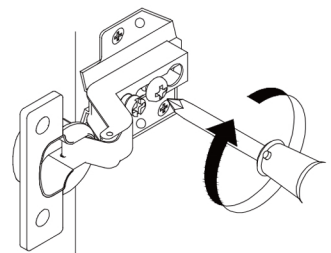
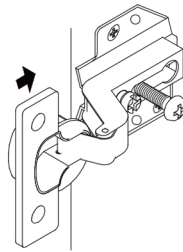
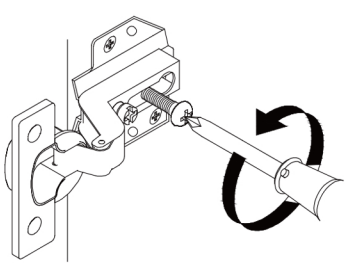
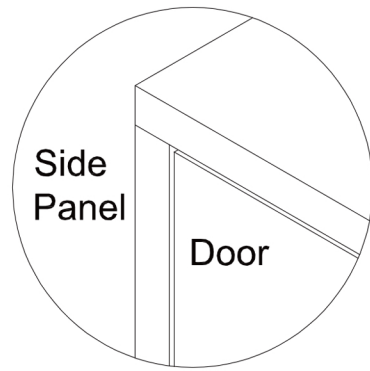
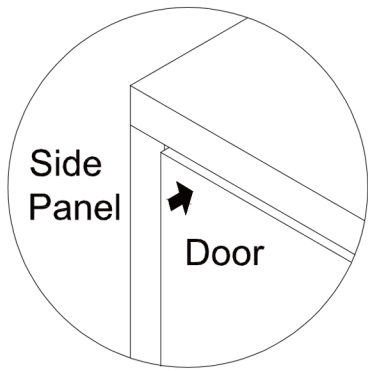


	Cx8
	Kx2

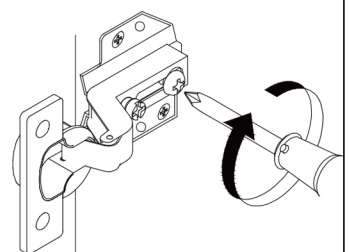
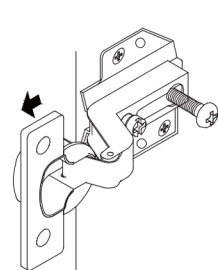
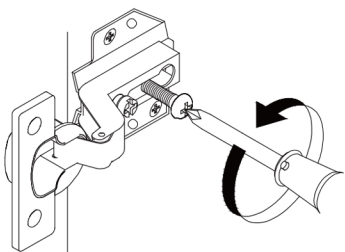
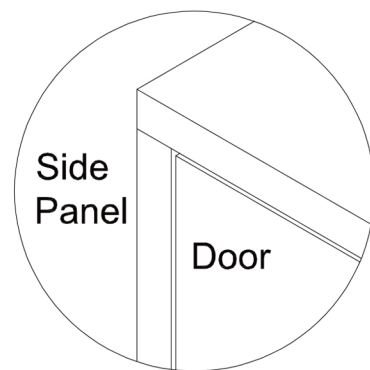
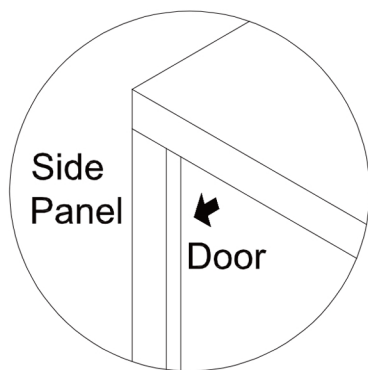
STEP 22



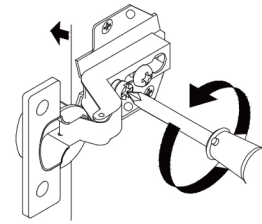
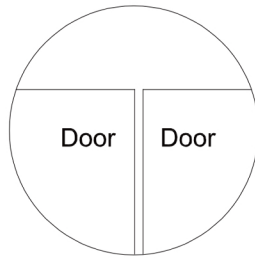
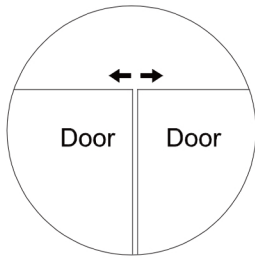
	Cx2
	Sx2
	Tx2



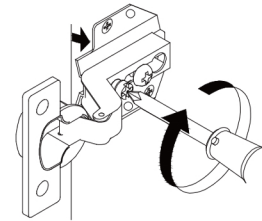
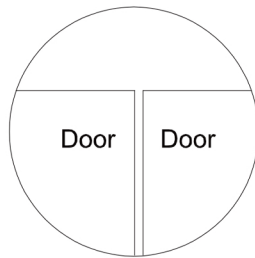
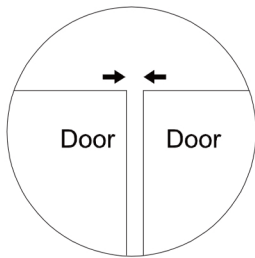
If the top of the door is not level with the side panel, loosen the screw at the back of the hinge as shown, then move the hinge in or out until the desired gap is achieved, and then re-tighten the back screw.



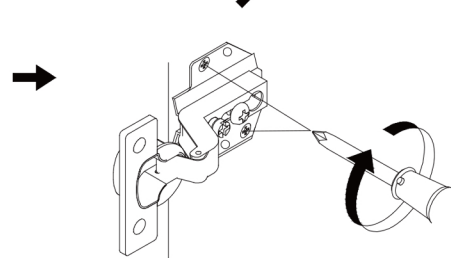
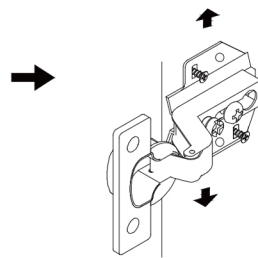
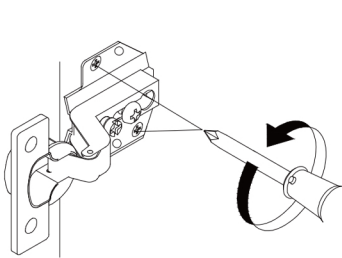
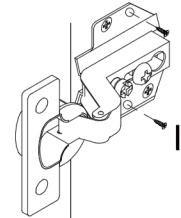
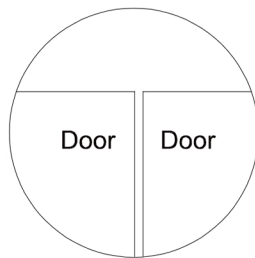
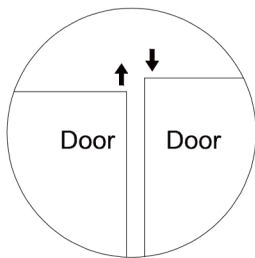
If the top of the door is not level with the side panel, loosen the screw at the back of the hinge as shown, then move the hinge in or out until the desired gap is achieved, and then re-tighten the back screw as shown.



If the gap is too tight between the two doors, loosen the screw at the front of the hinge as shown to make the adjustment and then re-tighten the screw.



If the gap is too tight between the two doors, loosen the screw at the front of the hinge as shown to make the adjustment and then re-tighten the screw.



- a) If the doors are not leveled with each other, loosen the screws (installed on STEP 27) at the Panel Wing of the hinge, then adjust the hinge up or down until the desired level or when both doors are leveled, and then re-tighten the screws.
- b) When all the desired positions are in place, use the remaining sixteen Screw (I) to fasten the Wing Panel using the balance two screw holes on Panel Wing.