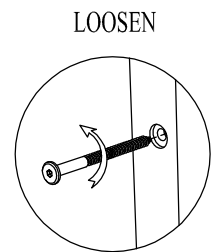
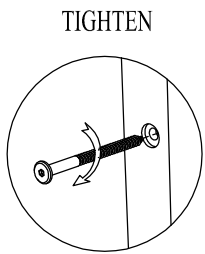
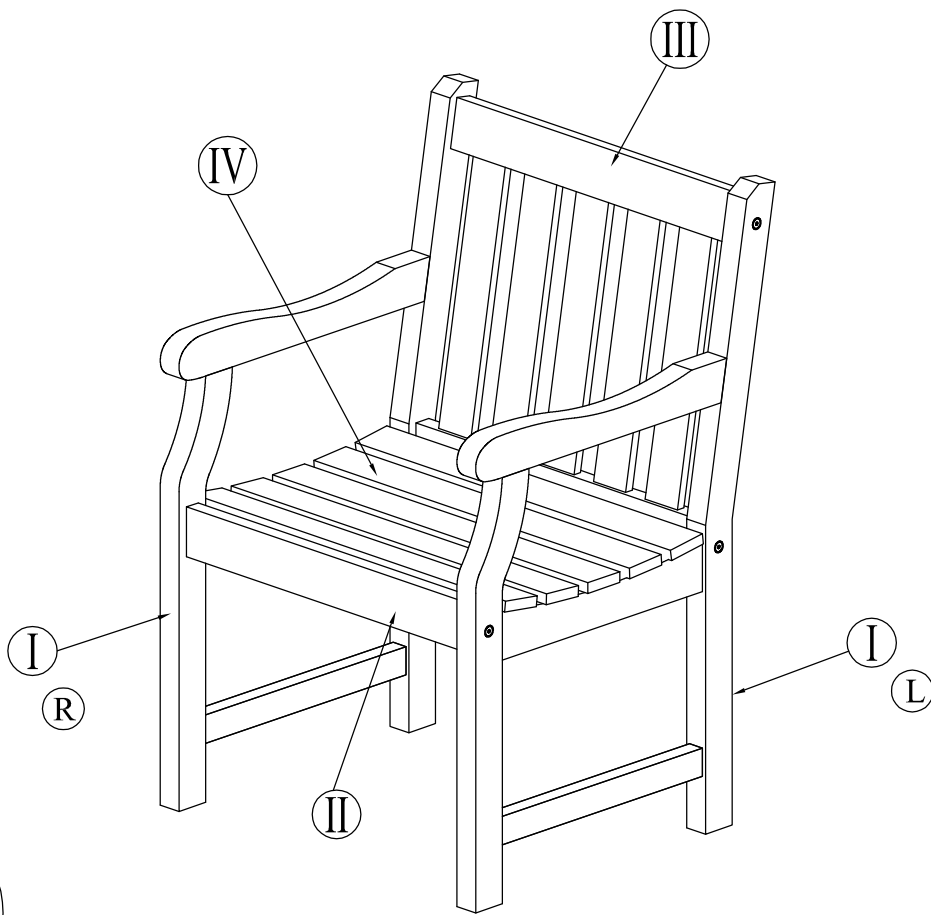


Maximum capacity : 110 kgs/242 Lbs





NOTE: 50% TIGHTEN BEFORE FIXING ALL BOLTS & SCREWS

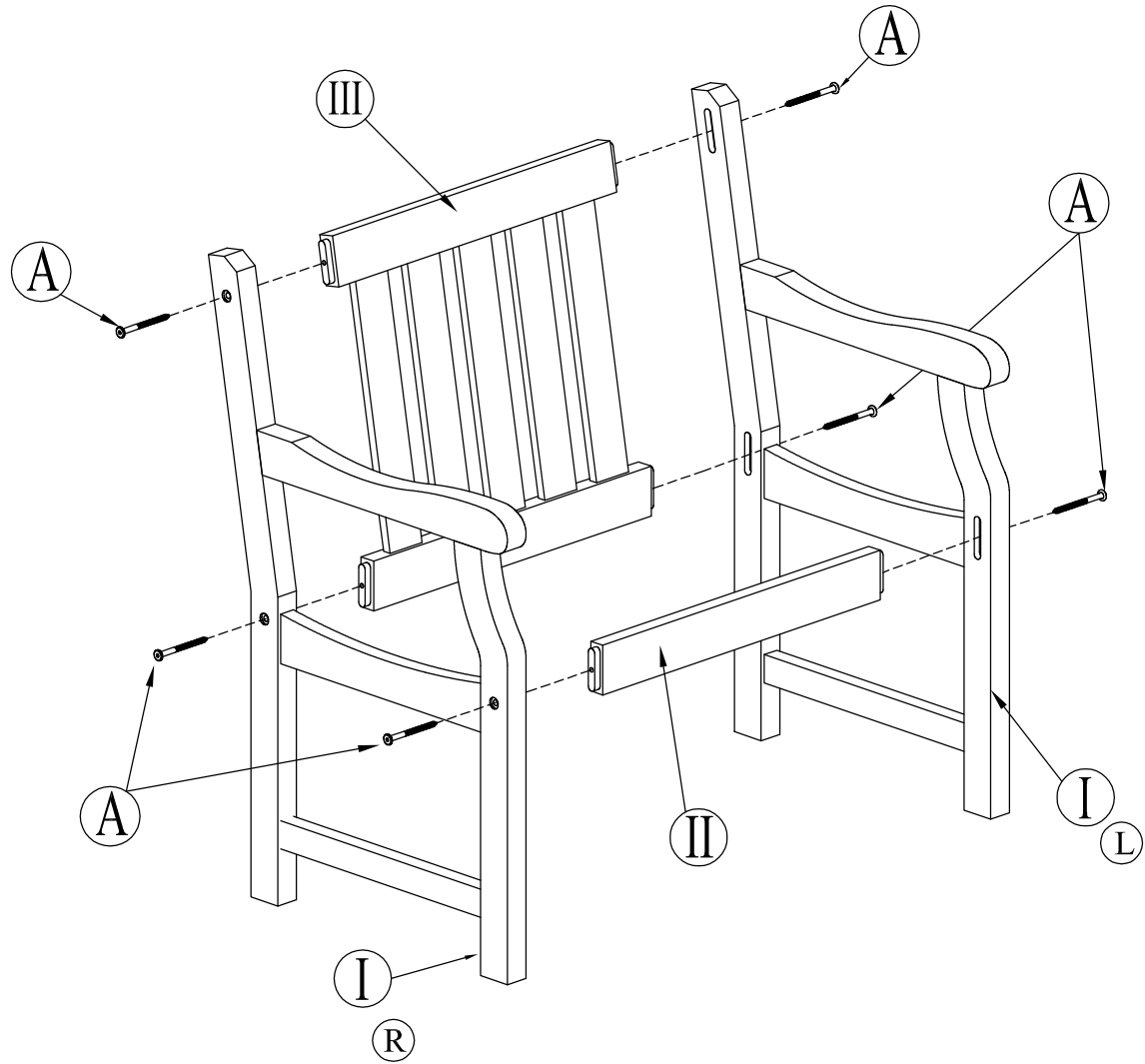
COMPONENTS LIST

<p>I</p> <p>Q'TY 2 (Right & Left)</p>	<p>II</p> <p>QTY 1</p>	<p>IV</p> <p>QTY 1</p>
	<p>III</p> <p>QTY 1</p>	

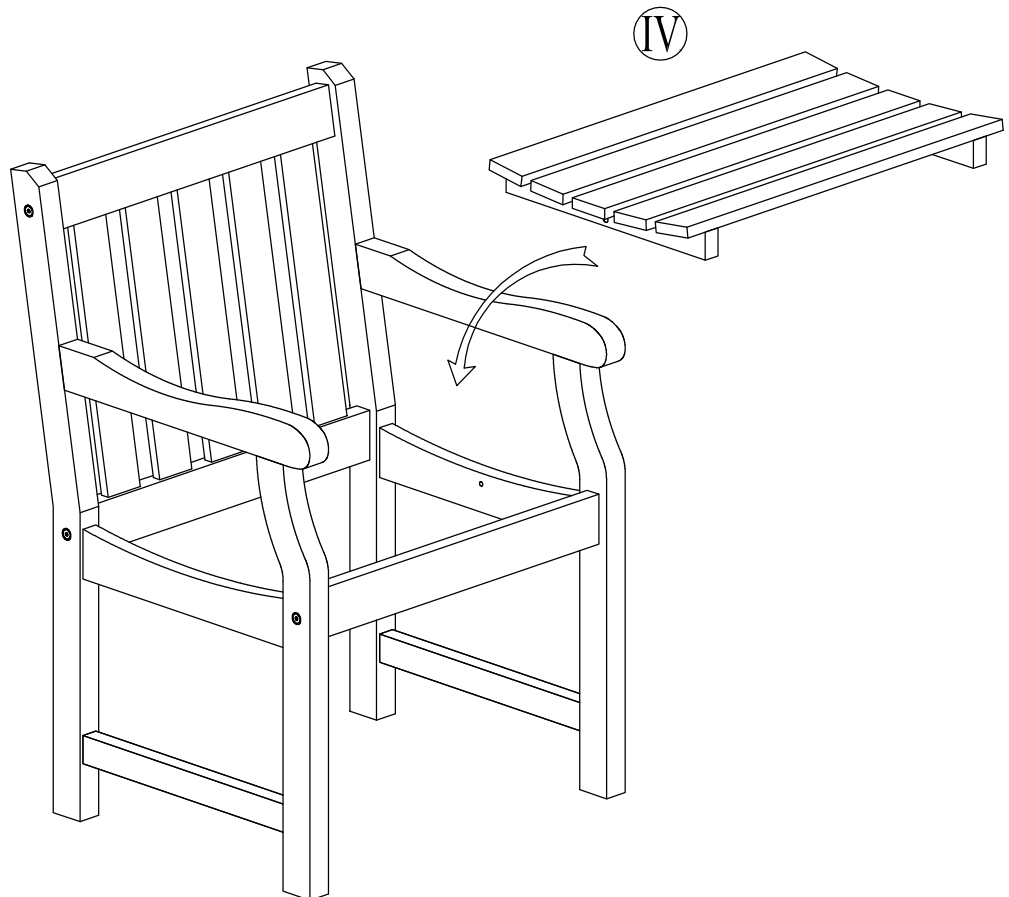
HARDWARE LIST

A		6	Screw 7 x 90				
B		2	Screw 7x40	C		2	Allen Key

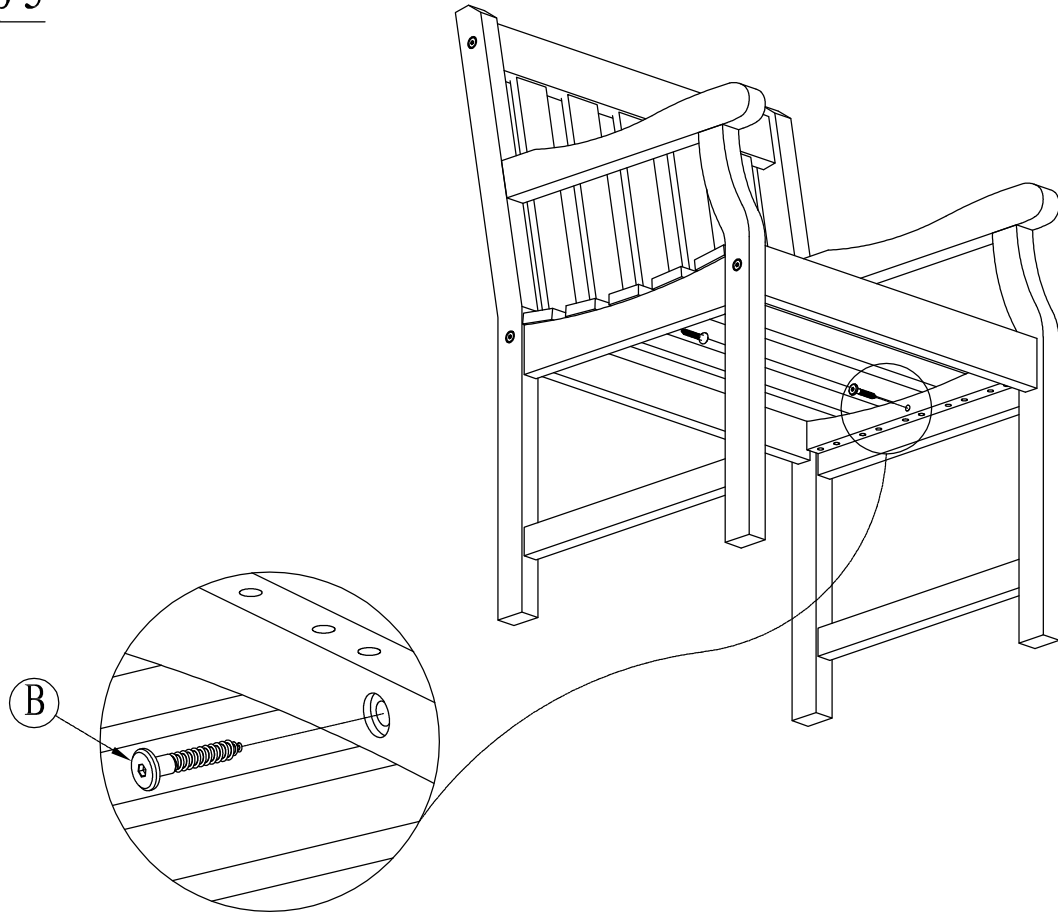
Step 1



Step 2



Step 3



Step 4

