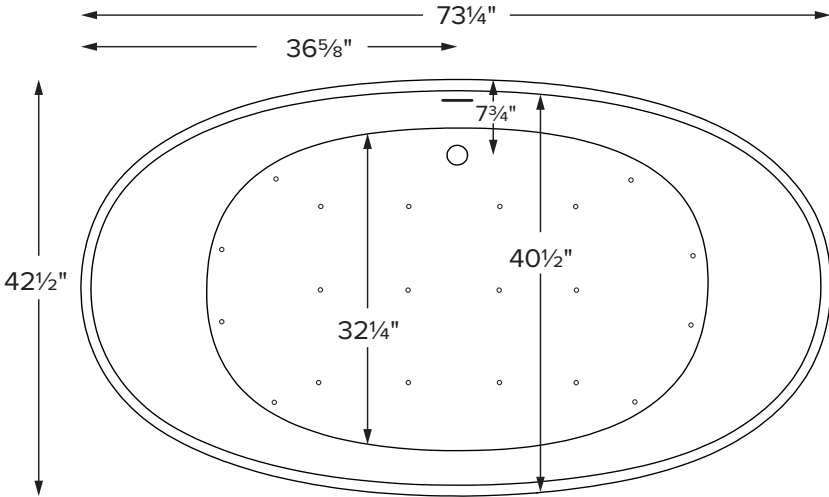


Elise

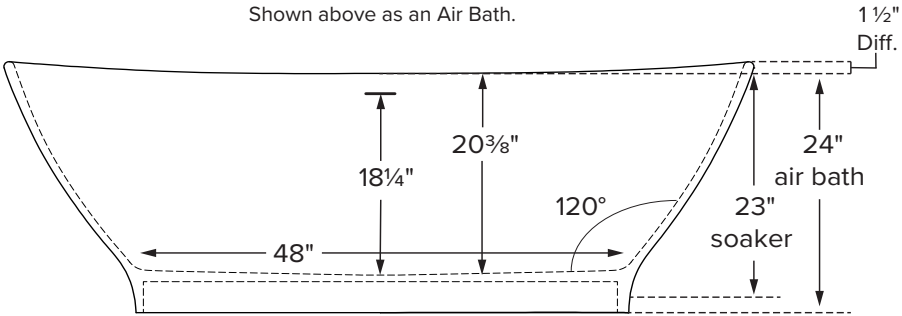


Features an integrated overflow.

| |
|--|
| MODEL 235 |
| 73.25" x 42.5" x 23"/24" |
| FREESTANDING 140 gal to overflow |
| SculptureStone® |
| 350 lbs / 159 kg soaker 380 lbs / 172 kg airbath |
| Filling this tub to the maximum may require an above average size or dedicated water heater. |



Shown above as an Air Bath.



| ELECTRICAL COMPONENTS & SPECIFICATIONS | | |
|--|---------------------|----------|
| Required Electrical Service - 110 Volt | | |
| Hydrotherapy Package | Components Included | GFCI |
| Air Massage | heated blower | 1-15 amp |
| Electrical requirements may change with the addition of optional therapy components. See specific option details or installation information. CSA Certified C/US; ANSI Z124.1 and ANSI 112.19.7 and ANSI 112.19.7 | | |

See the Installation & Operation Manual for more details.
 MTI's Customer Service: Monday-Friday 8am-6pm EST
800-783-8827 or service@mtibaths.com

IMPORTANT ORDERING & INSTALLATION INFORMATION

- Before ordering or installing, please consider future access to equipment.
- Includes an integrated overflow with toe tap drain in chrome finish. May be specified without an overflow (see local codes before ordering without an overflow).
- Air baths require job site preparation for remote installation of the blower and required check valve. Check valve must be installed higher than the rim of the tub.
- Waterproof remote control included with air bath. Keypad shipped loose may be remote mounted on nearby surface/wall.
- Faucet valves cannot be mounted on this tub model.

• Before discarding tub crate, check for accessories that may be packaged inside.
 • All product measurements are ±1/2".
 • Specifications and configurations are subject to change without notice.
 • Measurements herein supersede all others published prior to publication date below.



For more information on options and accessories go to SculptureStone® Tubs Options on mtibaths.com

Elise

MODEL #: 235

73.25" x 42.5" x 23"/24"

- Blower & required check valve for airbath must be remote mounted.
- Check valve must be installed higher than the rim of the tub.
- See the Installation & Operation Manual for more details.

| Hydrotherapy | Package Contents | Part # | Finish | MSRP |
|--------------|--|----------|---------------------|----------|
| Soaker | Soaking bath - no jets. Includes an integrated slotted overflow with a toe-tap drain kit. | S235 | soft matte | \$9,110 |
| | | S235GL | hand-polished gloss | \$10,195 |
| Air Bath | 20 air jets, heated air blower, keypad, waterproof remote control, integrated slotted overflow with a toe-tap drain kit. | AST235 | soft matte | \$14,230 |
| | | AST235GL | hand-polished gloss | \$15,315 |

| Options <i>Must be ordered at time of purchase</i> |
|---|
| Quick Ship (QSPRI2) \$1,025 reduces lead time <i>Please call for availability</i> |
| Standard Color White Biscuit Color Upgrade (SSBI) \$310 <i>Additional material colors available for projects only. Please call MTI.</i> |
| Accessories |
| Teak Bath Mat (TKMAT3018) \$815 Measures 30" x 17.5" x 1" <i>Custom sizes also available. Contact MTI for details.</i> |
| SculptureStone® Tub Tray No Stemware Holder (SSTRAY1) \$340 matte (SSTRAY1GL) gloss \$340 With Stemware Holder (SSTRAY1) \$450 matte (SSTRAY1GL) gloss \$450 <i>Order with tub for best color match</i> |
| Teak Tub Tray Slatted (TK-TRAY1) \$500 Solid (TK-TRAY2) \$570 <i>Order with tub for best fit</i> |

| Boutique Accessories | |
|---|--|
| Packaging / Handling Fee Applies | |
| SculptureStone® Bathroom Table (TABLE) \$825 matte finish (TABLEGL) \$1,235 gloss finish <i>Order with tub for best color match</i> | |
| SculptureStone® Standard Faucet Stand | |
| Small - 3-hole capacity 14¼" w x 20½" h Matte (STAND) \$725 Gloss (STANDGL) \$1,135 | Large - 5-hole capacity 22" w x 21½" h Matte (STANDL) \$855 Gloss (STANDLGL) \$1,265 |
| SculptureStone® Premium Faucet Stand | |
| 15" w x 39" h Matte (SSFSR3915MT) \$2,365 Gloss (SSFSR3915GL) \$2,720 | 10" w x 39" h Matte (SSFSR3910MT) \$2,135 Gloss (SSFSR3910GL) \$2,525 |
| 20" w x 23" h Matte (SSFSR2320MT) \$1,930 Gloss (SSFSR2320GL) \$2,315 | 15" w x 23" h Matte (SSFSR2315MT) \$1,825 Gloss (SSFSR2315GL) \$2,180 |
| SculptureStone® Premium Component Stand | |
| 20" l x 22.5" h Matte (SSPX1MT) \$2,000 Gloss (SSPX1GL) \$2,640 <i>Compatible with select tub models.</i> <i>Go to www.mtibaths.com</i> | |

Drains & Overflow Kits *Must be ordered at time of purchase*

| Toe Tap Drain Cover Finishes |
|---|
| PVC drain - Chrome included |
| +\$50 upcharge Br. Nickel (WIOBN), Pol. Nickel (WIOPN) |
| +\$85 upcharge Matte Black (WIOMB) |
| +\$105 upcharge Oil-Rubbed Bronze* (WIOOR) |
| +\$640 upcharge Special Finish* (WIOSF) |
| <i>Send finish sample to MTI Baths for best match.</i> |

| Toe Tap SculptureStone® Drain Cover Finishes |
|--|
| Upgrade is in lieu of standard chrome to tap drain cover. |
| White only |
| +\$90 upcharge Matte Finish (SSWIOMT) |
| +\$110 upcharge Gloss Finish (SSWIOGL) |
| Brass Tailpiece (WIOBS) \$85 in addition to finish charge listed above |
| Quick Drain Kit (WOQ) \$460 |

* MTI has selected an oil-rubbed bronze finish that is compatible with Delta and many other manufacturers. To ensure best match, order as a Special Finish and submit a sample.

CSA # MTCT-235

©2023 by MTI Baths, Inc. Modification Rights Reserved

* Allow 2-4 weeks lead time for Special Finishes. Send sample for best match.

