

ASSEMBLY INSTRUCTIONS

QUEEN BED (4 + 4)

(Box 1) BOX OF HEADBOARD & FOOTBOARD

No	ITEM	Qty
A	Headboard	1 pc
B	Footboard	1 pc
C	Headboard Leg (L/R)	2 pcs
D	Bed Slat	4 pcs
E	Bed Slat Support	4 pcs

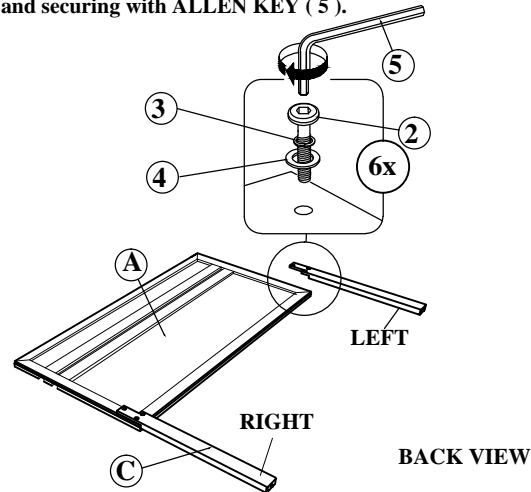
(Box 2) BOX OF SIDE RAIL

No	ITEM	Qty
F	Side Rail	2 pcs

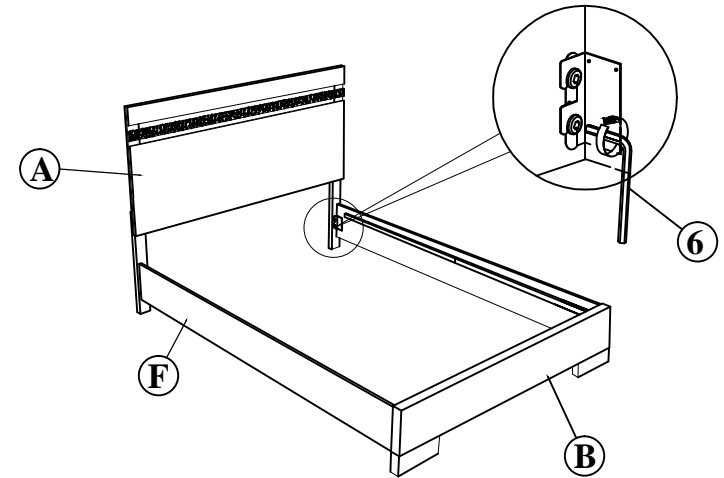
(Box 1) HARDWARE LIST

No	ITEM	Qty
1	Csk M4 x 32mm	8 pcs
2	JCBC M6 x 30mm	6 pcs
3	SPRING WASHER 1/4" Rbw	6 pcs
4	Flat Washer 1/4" ID x 13mm OD Blk	6 pcs
5	ALLEN KEY m4x65mm Blk	1 pc
6	ALLEN KEY m5x65mm Blk	1 pc

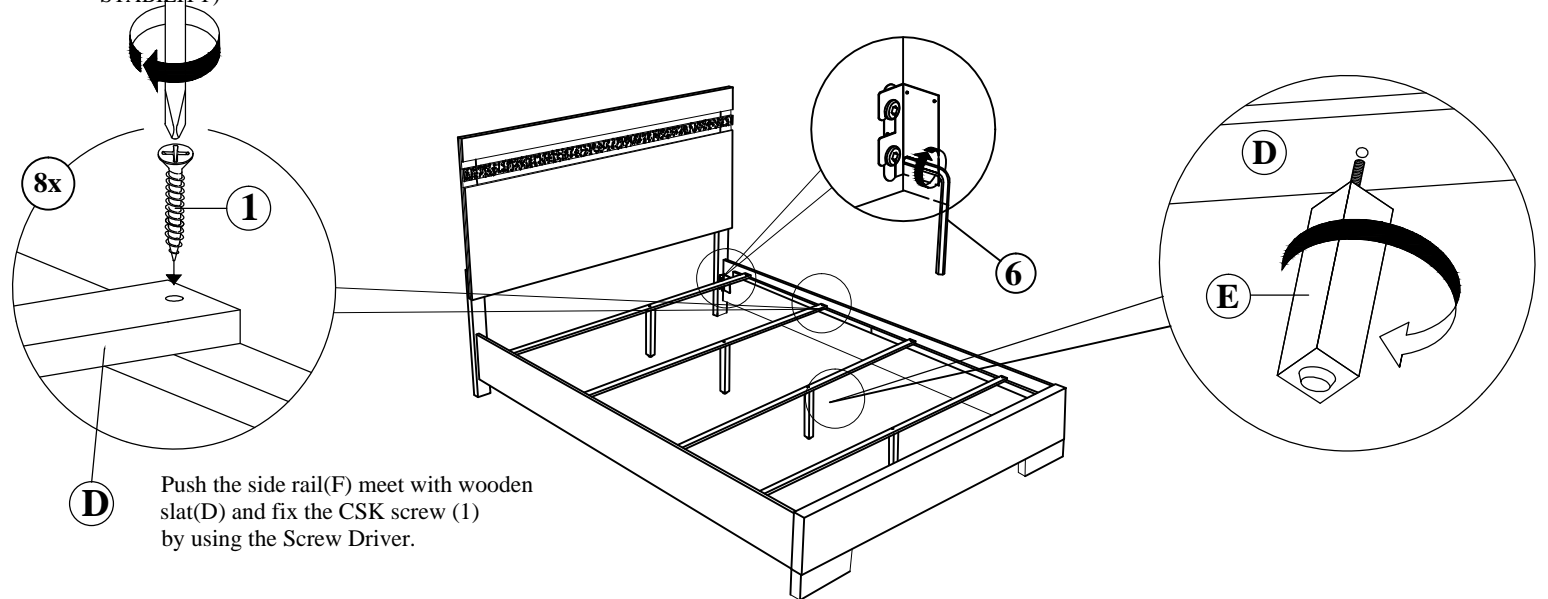
STEP 1 : Attach Head Board Leg (C) to Head Board (A) as shown using JCBC BOLT (2) with Spring Washer (3), Flat washer (4) and securing with ALLEN KEY (5).



STEP 2 : Hook SIDE RAIL (F) TO HEAD BOARD (A) closely and push down to fit. repeat step 2 with other end of rail to hook onto FOOTBOARD (B).



STEP 3 : Tighten the 4 Corner with Allen Key (6). Fix the Bed Slat Support Leg (E), to Bed Slat (D) as shown . Install the bed slat (D) to side rail (F) and tighten with Csk Screw (1) as per diagram shown. (NOTE: THE SETUP MUST BE DONE AT THE DECIDED LOCATION FOR THE BED TO OBTAIN PERFECT STABILITY)



Push the side rail(F) meet with wooden slat(D) and fix the CSK screw (1) by using the Screw Driver.