

Installation & Assembly



<< Hardware List >>

A



Bolts(8pcs)

B



Allen wrench
(1pc)

C



Washer(8pcs)

D



Leg(8pcs)

E

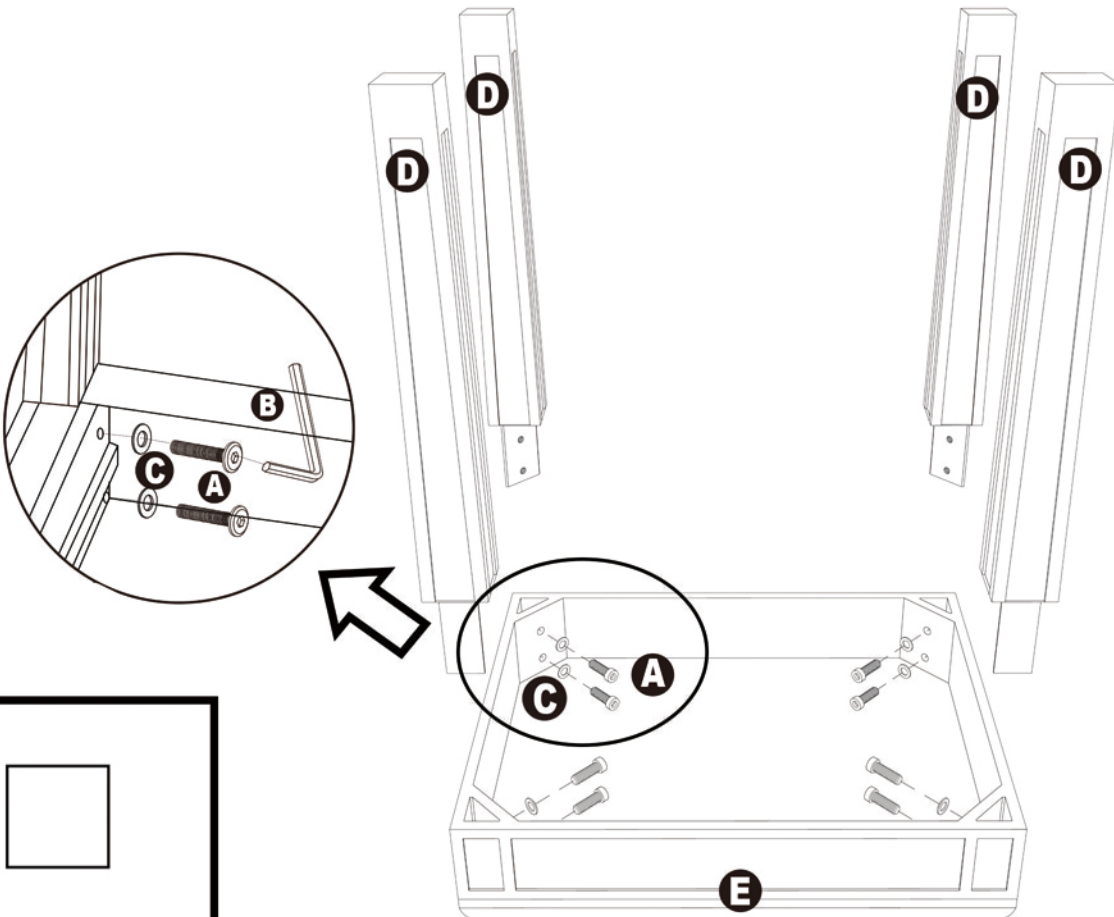


Bench top(1pc)

1.Gently face down the unit on the carpet or soft surface.

2.Connect Legs(D)to bench top(E),as show,using bolts(A), Washers(C)and allen wrench(B)

3.Using Polishing cloth(F) to clean the units,finish and enjoy!



F



Polishing cloth (1pc)