
Patio Dining Chair



User Manual

General Guidelines:

- Please read the following instructions carefully and use the product accordingly.
- Please keep this manual and hand it over when you transfer the product.
- This summary may not include every detail of all variations and considered steps. Please contact us when further information and help are needed.
- Any questions, please contact our customer service.

Notes:

- Personal injury and/or damage to the product may occur if the product is used outside of its intended purposes and/or if the product has been changed/modified from its original design.
- The product must be assembled and used in accordance with the provisions of the manual. The seller does not assume any responsibility or liability with respect to any damage caused by incorrect assembly or improper use.
- Carefully check accessories when opening the package. If anything is missing or damaged, please contact us immediately.
- Please do not force or overtighten screws. If any screw gets stuck, unscrew it and start again. After setup, fully tighten screws.
- Please keep all the packaging - we cannot accept any returned item without the original packaging.
- Please ensure that you have sufficient space to assemble the item.
- Do not tighten all the screws before ensuring the item is properly aligned.

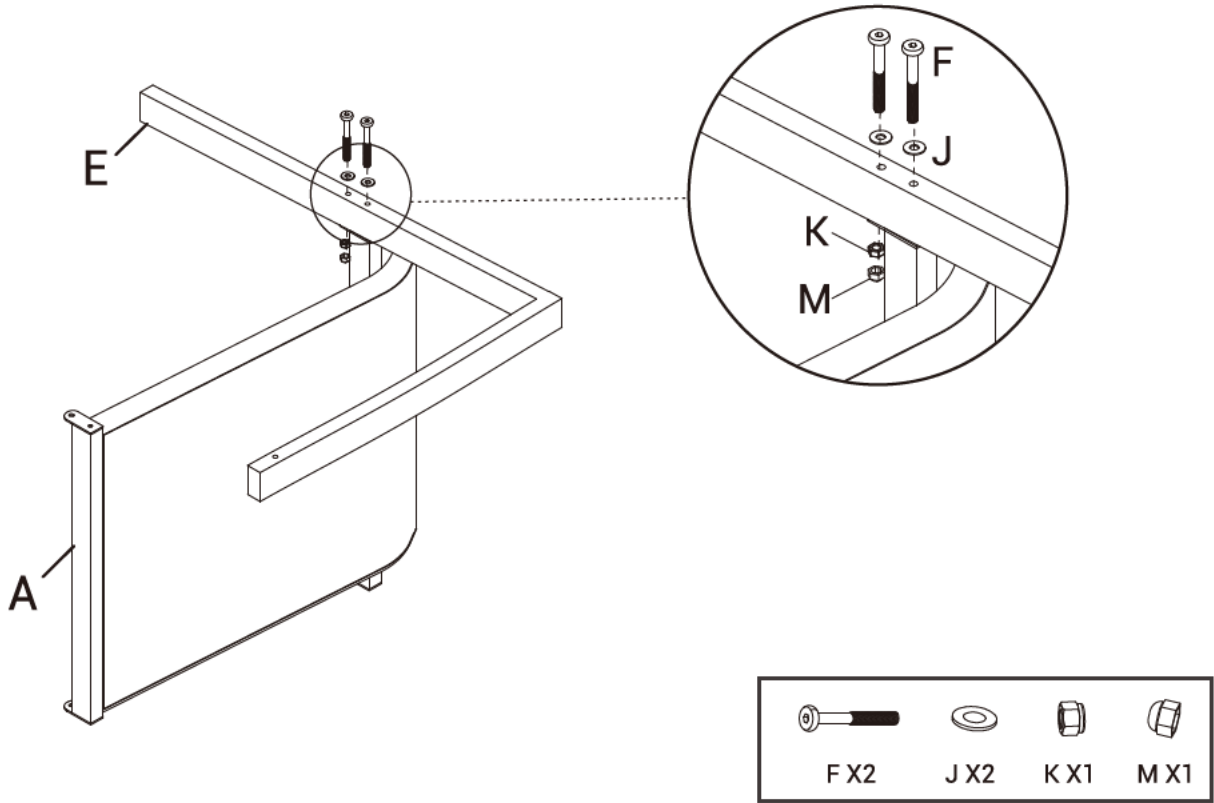
Warnings:

- Keep children away when assembling the product. Small parts included in the package can be fatal if swallowed or inhaled.
- To avoid potential dangers of suffocation, please keep all parts and packaging (film plastic bags, foam, etc.) away from babies and children.
- Tighten all components securely before use. Failure to do so may result in personal injury.

Daily Maintenance:

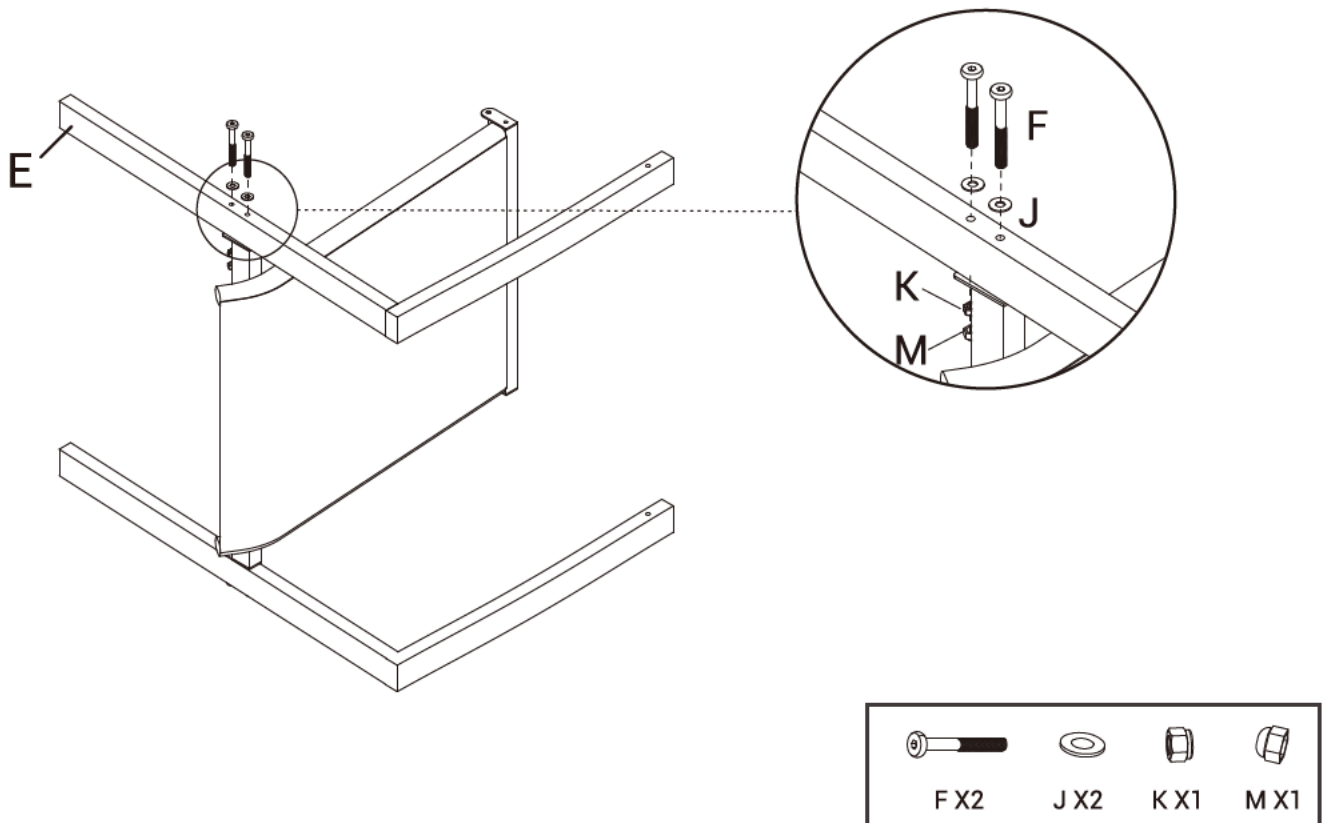
- Sweep surfaces as needed using a soft-bristle brush.
- Store the patio dining chair indoors or cover it well when not in use. Using furniture covers will protect the steel frame and the fabric seat and back from the elements and prolong their life.
- To clean the fabric seat and back, remove any loose dirt or debris with a soft brush or damp cloth. Use a mild soap solution and gently clean the fabric. Rinse with water and allow it to air dry completely before using or storing the chair. Avoid using abrasive cleaners or brushes that may damage the fabric.
- Inspect the chair regularly for any signs of wear, loose parts, or damage. Repair or replace any damaged components promptly to ensure continued safe use.
- During periods of heavy rain or snow, it is recommended to move the patio dining chair to a covered area or store it indoors to prevent potential water damage to the steel frame and fabric.

1

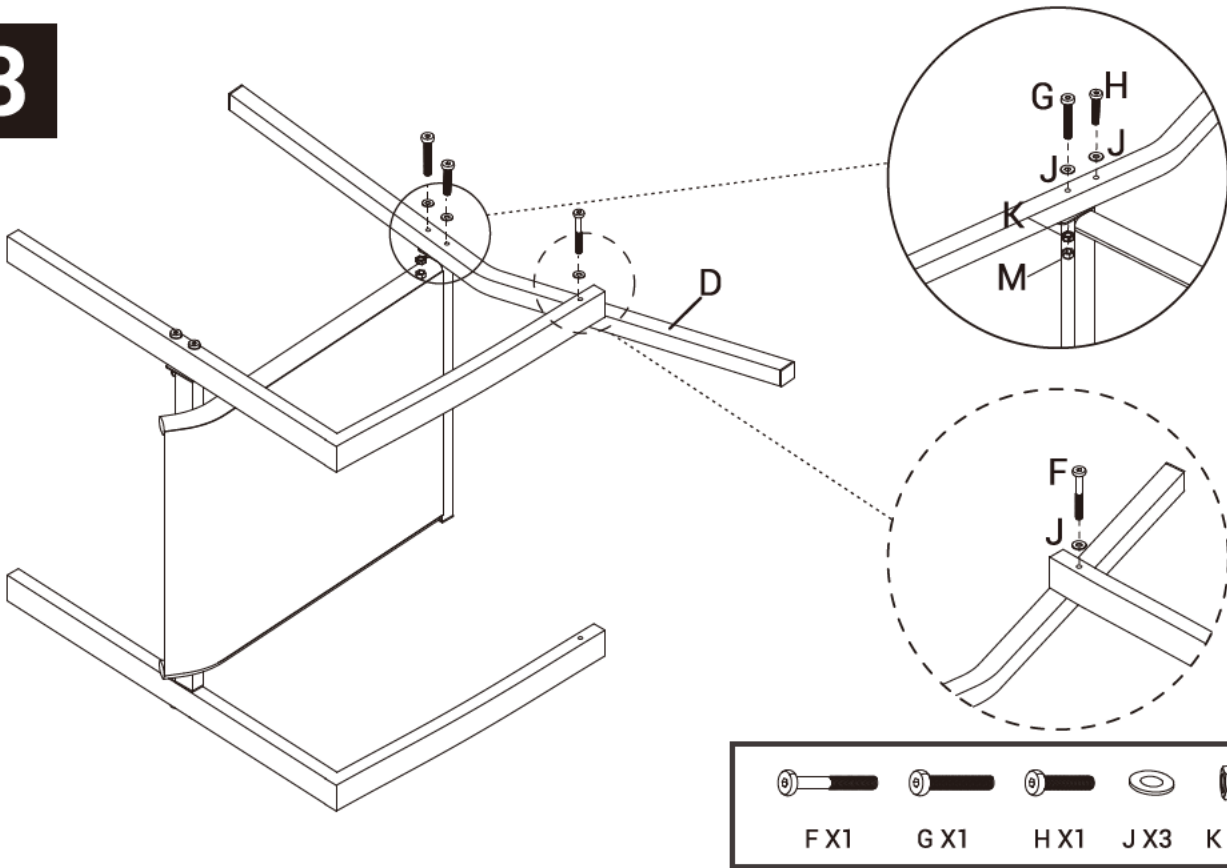


Caution: Wait to tighten screws until assembly is complete for better alignment and stability.

2

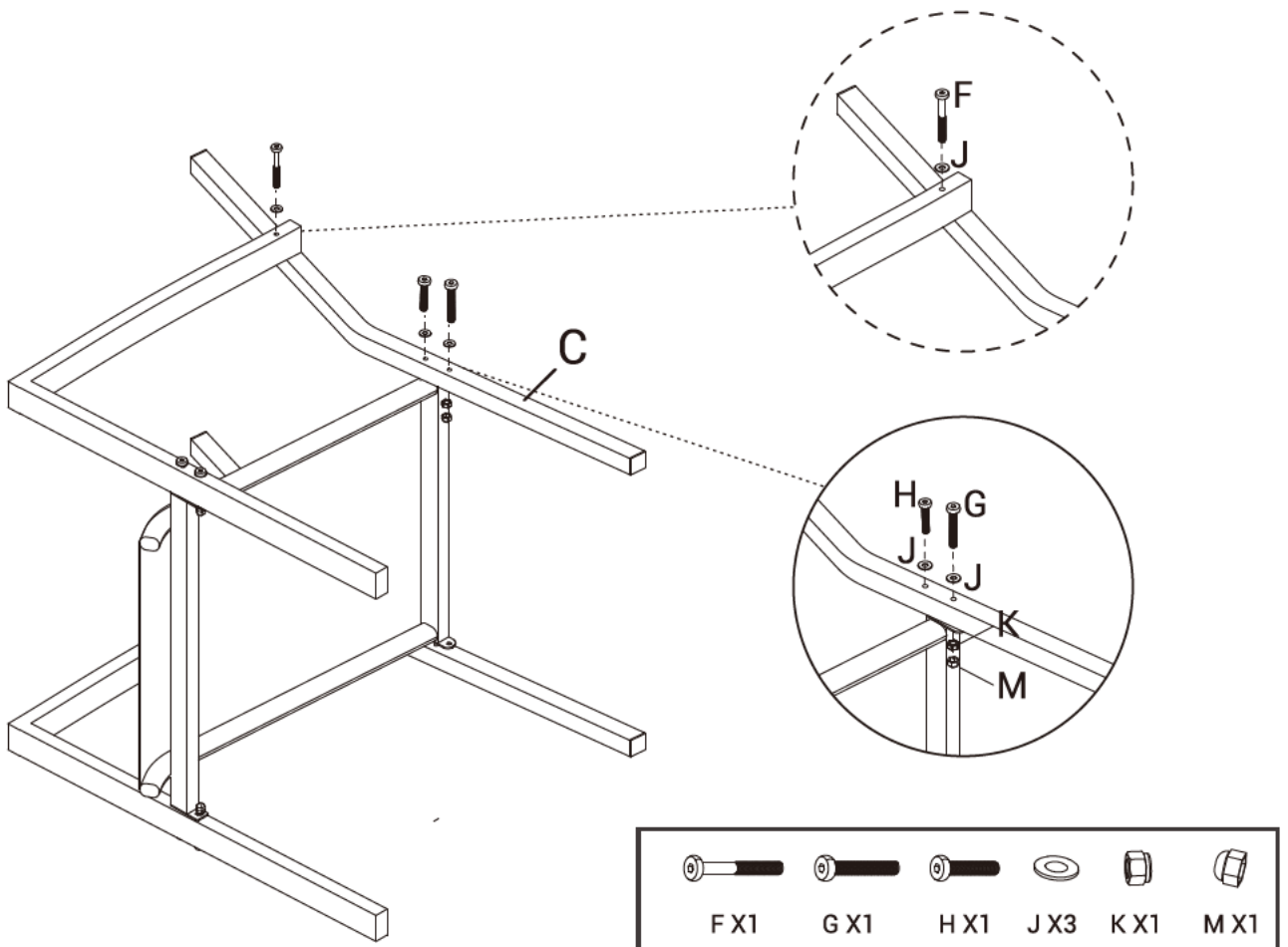


3

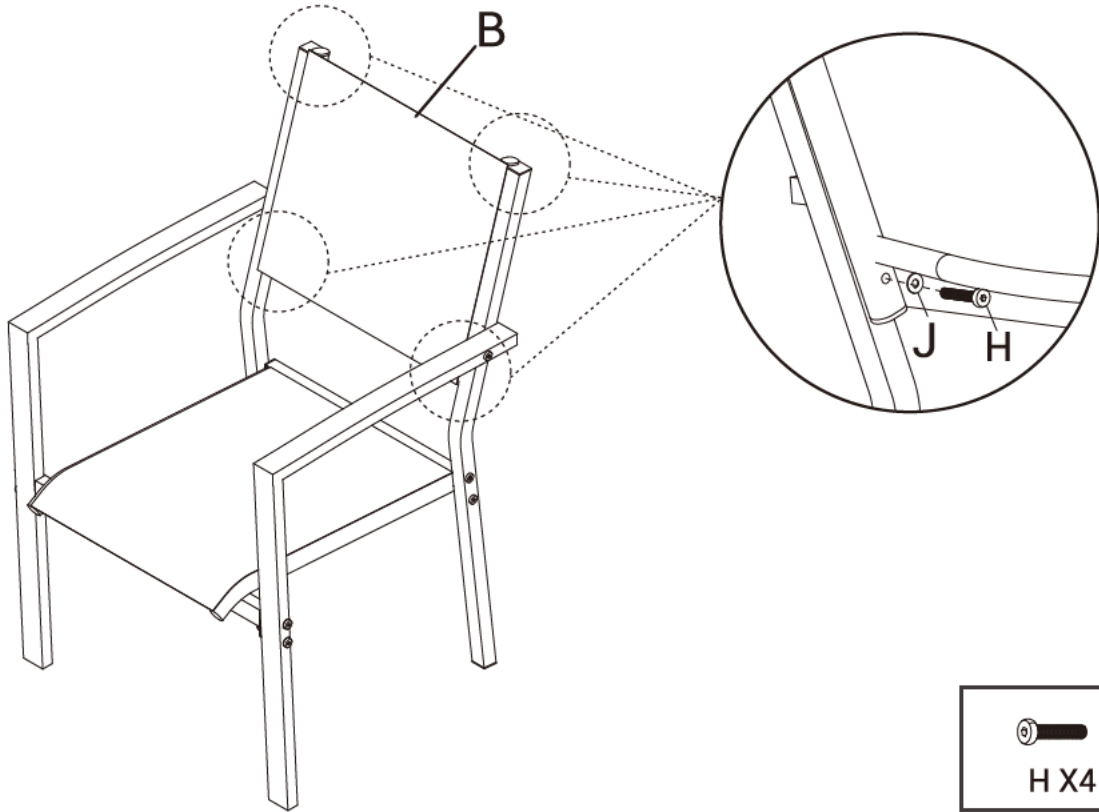


Caution: Wait to tighten screws until assembly is complete for better alignment and stability.

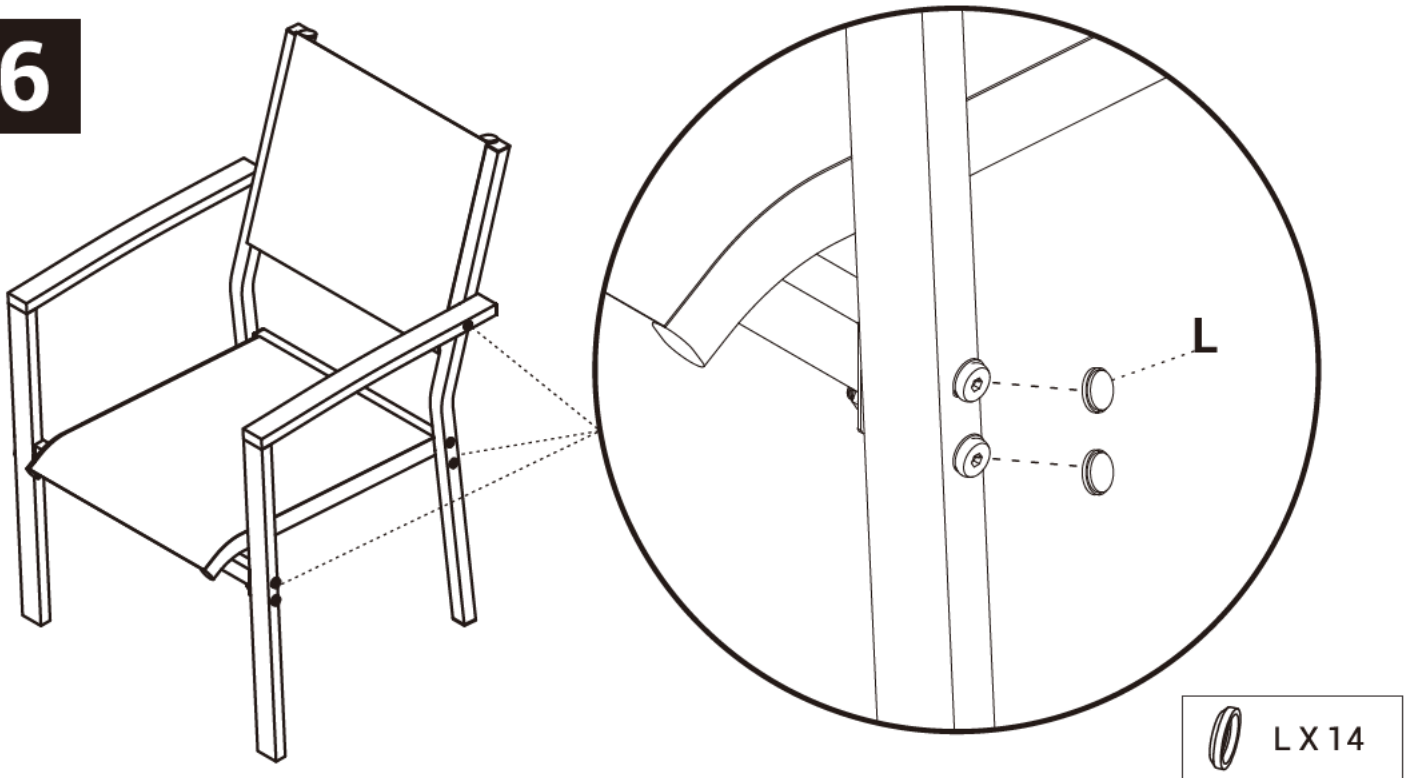
4



5



6



TIPS: After fully tightening the screws, place a protective cap over each screw to prevent erosion from natural elements.