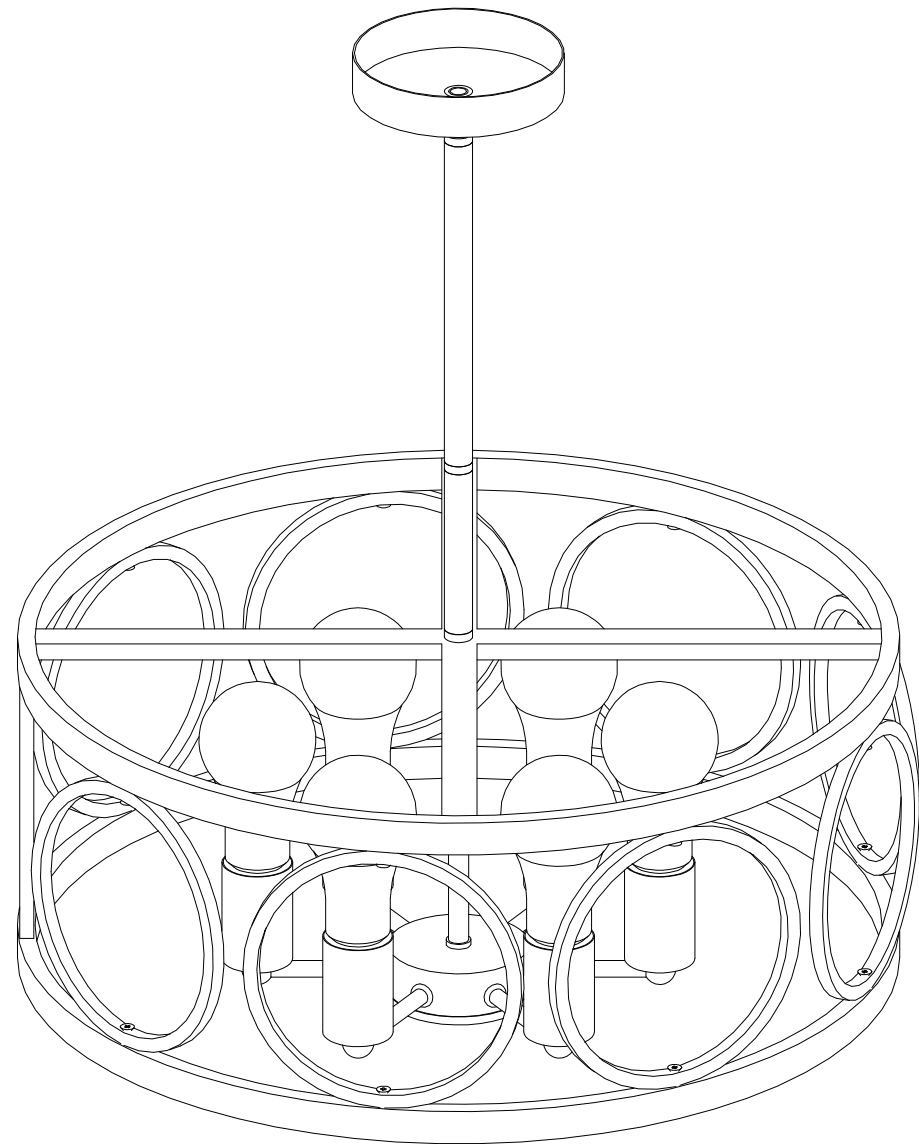


outline drawing:



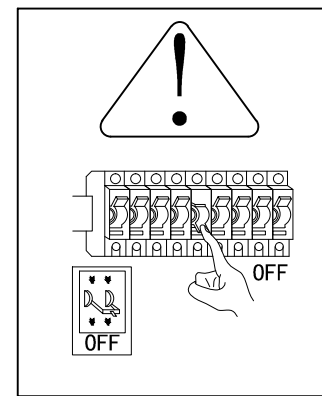
model:

Technical data: Power supply voltage 110-120V, bulb type E26Max40Wx6PCS (not included)

CAUTION



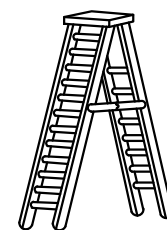
- Before installing the lighting fixtures, please check the insulation of the wires for any cuts, wear, or possible damage during transportation. If the wires are defective, do not attempt installation .
- In some countries, electrical installation work can only be carried out by authorized electrical contractors. Please contact the local power department for advice.



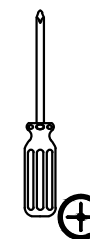
IMPORTANT Before starting the installation work, please make sure to cut off the power supply to the circuit.

IMPORTANT Keep children away from the installation process .

Required tools (not included):



Ladder

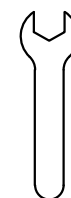


Phillips screwdriver



pincers

Required tools (including):

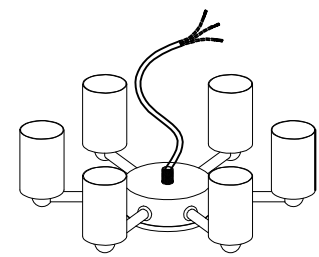


Hex Wrench



glove

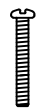
The hardware kit provides:



Lights, Ancient



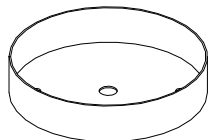
mounting screw



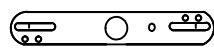
Hanging plate screws



CONNECTORS



tray



Installation board



Large and Medium Pipe-A



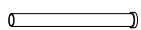
Large and Medium Pipe-B



Connector



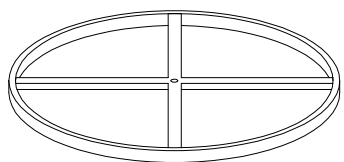
Short connector



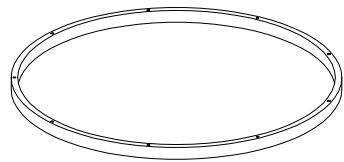
Middle tube



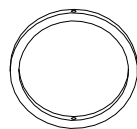
Universal joint



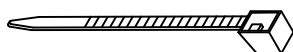
Welded square tube ring



Large diameter pipe ring



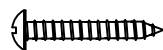
Small square tube coils -9pcs



cable tie



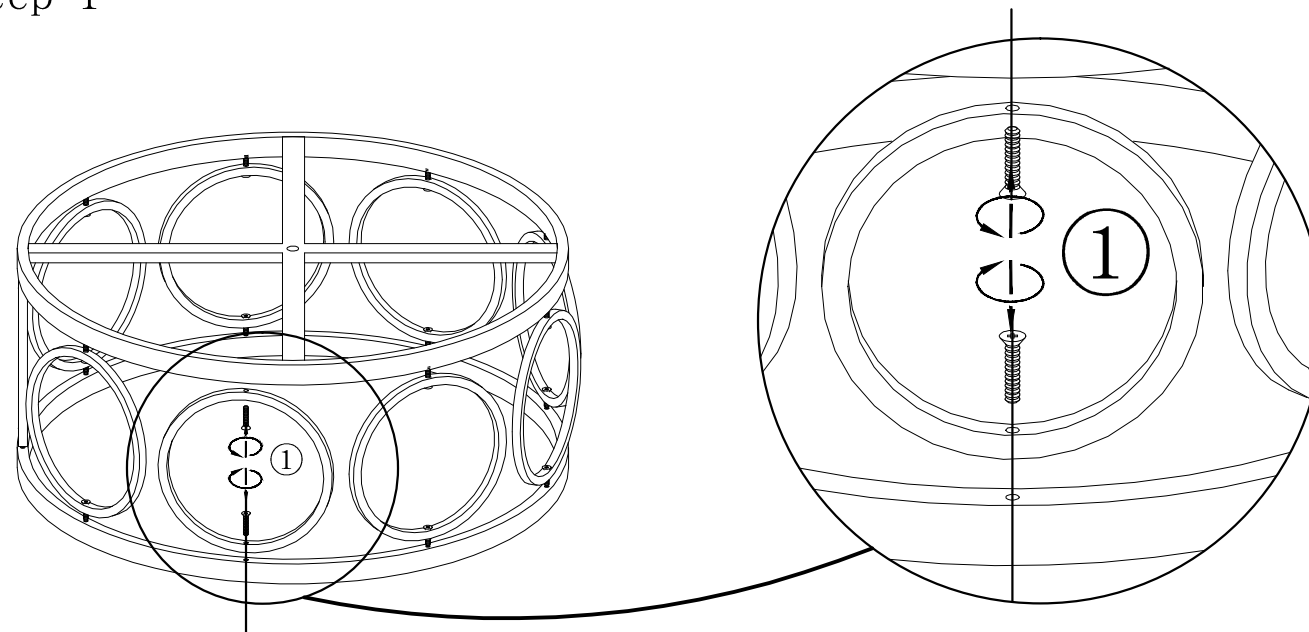
Gecko rubber stopper



Self tapping screws

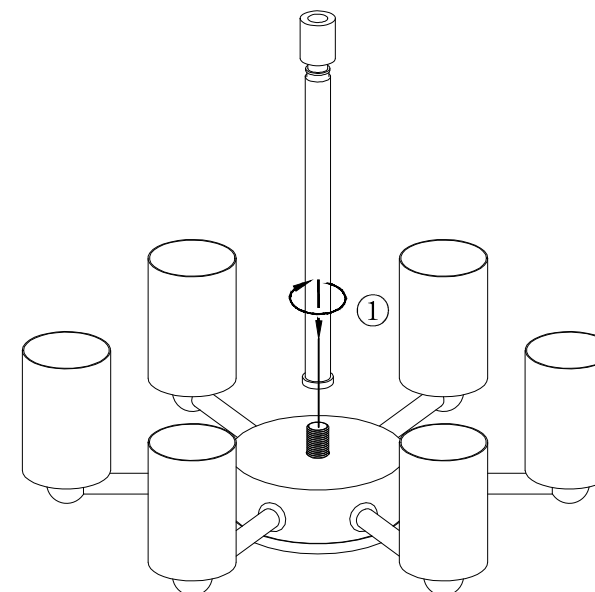
• The components displayed on each lamp may vary slightly

step 1



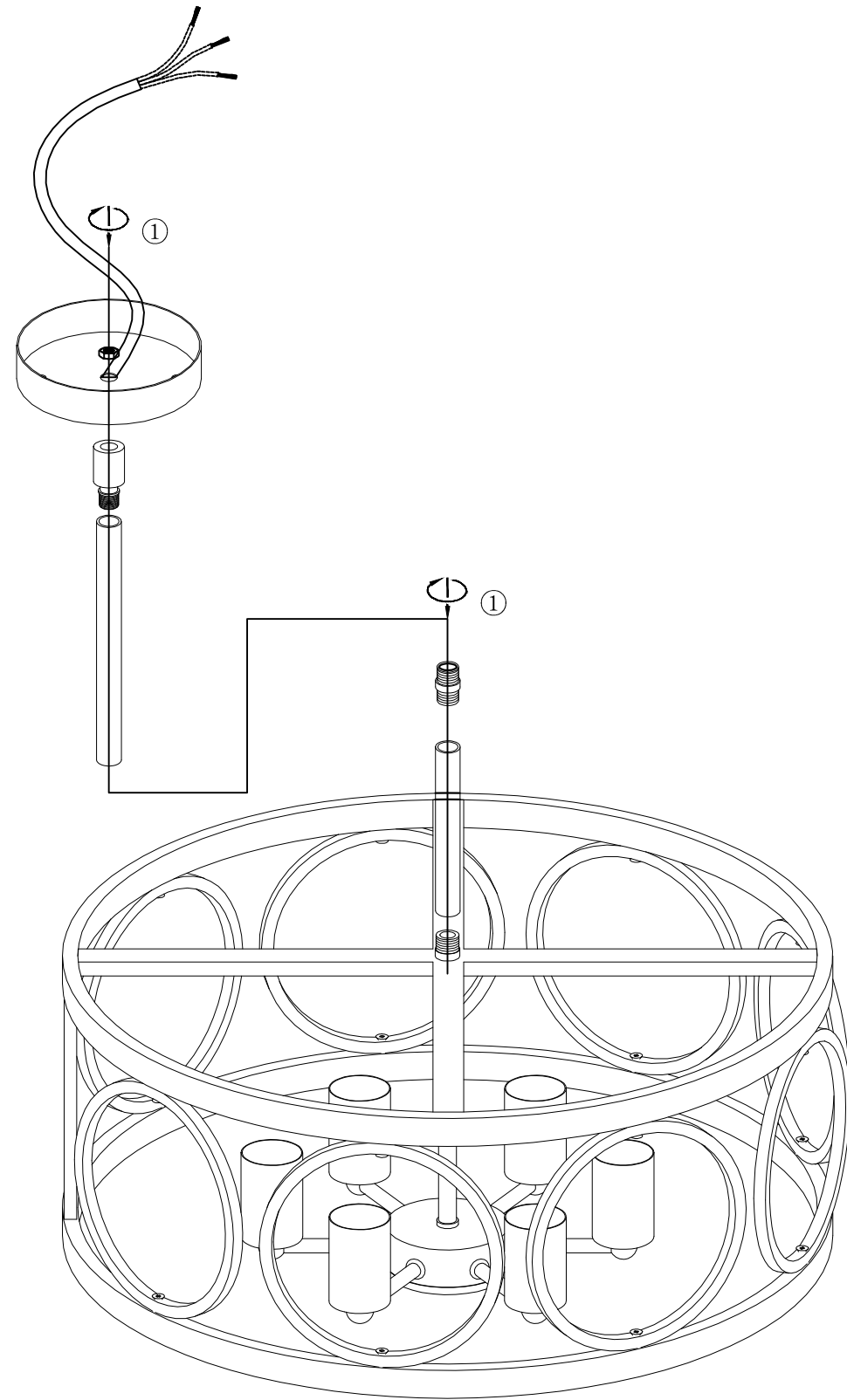
① Connect and tighten the small square tube ring with the welded square tube ring and the large square tube ring with screws.

Step 2



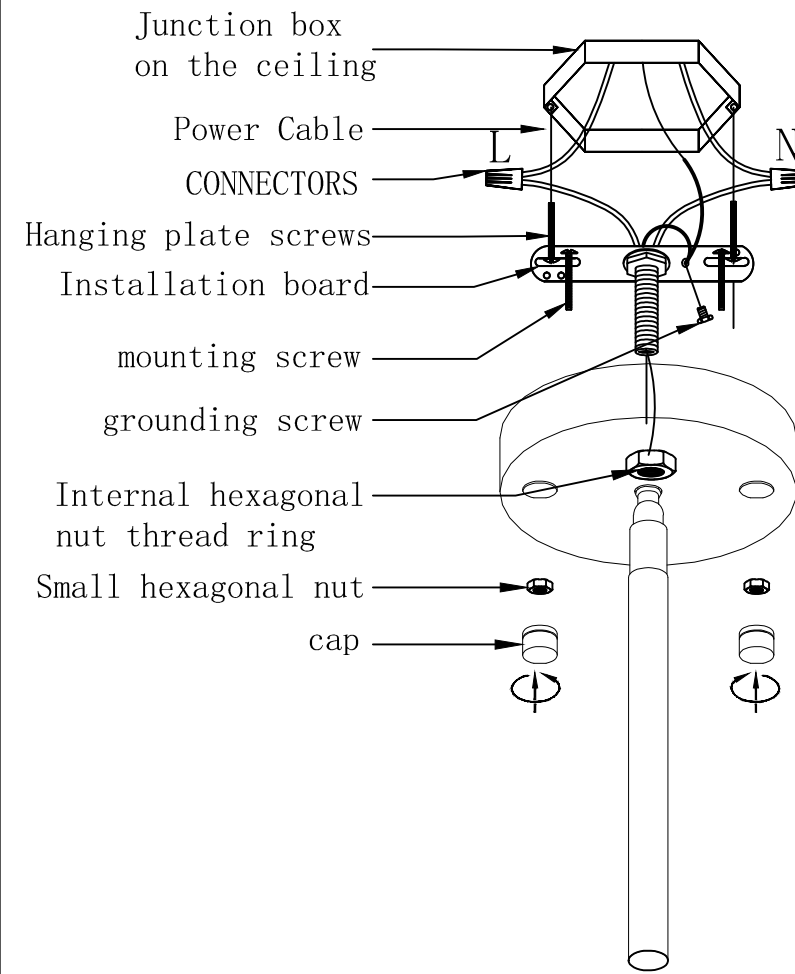
① Tighten the connection between the middle pipe and the lamp and the ancient structure.

Step 3



① Connect and tighten the large and medium-sized pipe A, large and medium-sized pipe B, connectors, universal heads, and discs.

Step 4



- ① Thread all the wires through the canopy and installation kit.
- ② Connect the power cable with two cable connectors.
- ③ Connect the grounding wire and tighten it with the grounding screw.
- ④ Install the fixing screws into the mounting plate, install the installation unit under the junction box, and tighten with two mounting screws.
- ⑤ Fix the canopy in place using a suspension ring. Tighten the screw ring and hex nut with a wrench to tighten the hex nut.
- ⑥ Tighten the fixing screws on the rain shelter holes.
- ⑦ Tighten the cap tightly.

White or smooth fixed line

White power supply line

Black or smooth fixed line

Black power supply line

Connect the black or red wire (with an L sticker on the wire) to:	Connect the white wire (with N stickers on the wire) to:
black	white
Parallel lines - pti&l (circular and smooth)	Parallel lines - spri&l (square and ridge shaped)
Transparent, brown, gold or black (without tracer)	Transparent, brown, gold or black (with tracer)
Copper core insulated wire (excluding GREEN)	Silver conductor insulated wire (excluding GREEN)

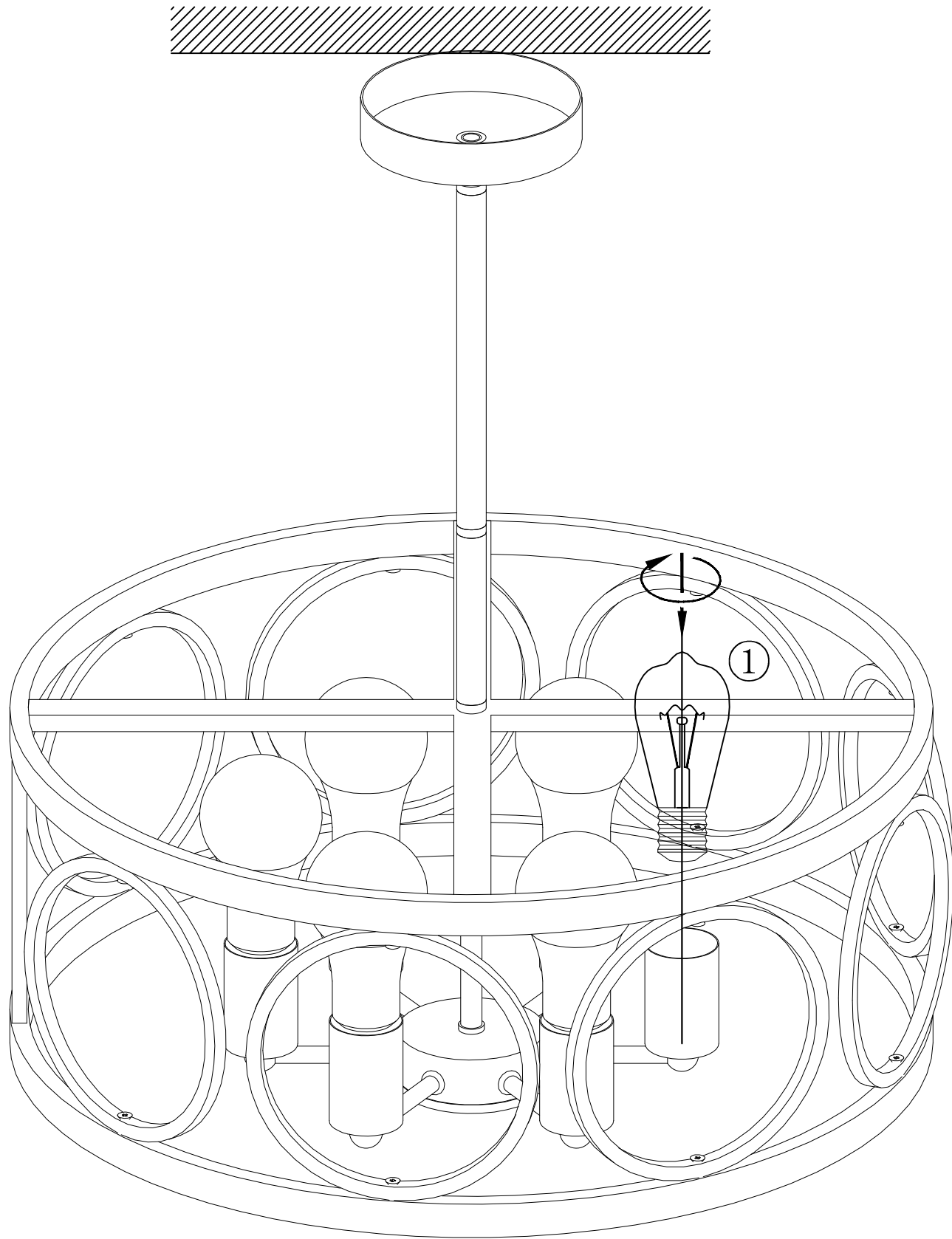
dimple

foundation bolt

Grounding wire of junction box

Fixture grounding wire

Step 5



① Tighten the light bulb (E26 maximum 40W, not included).