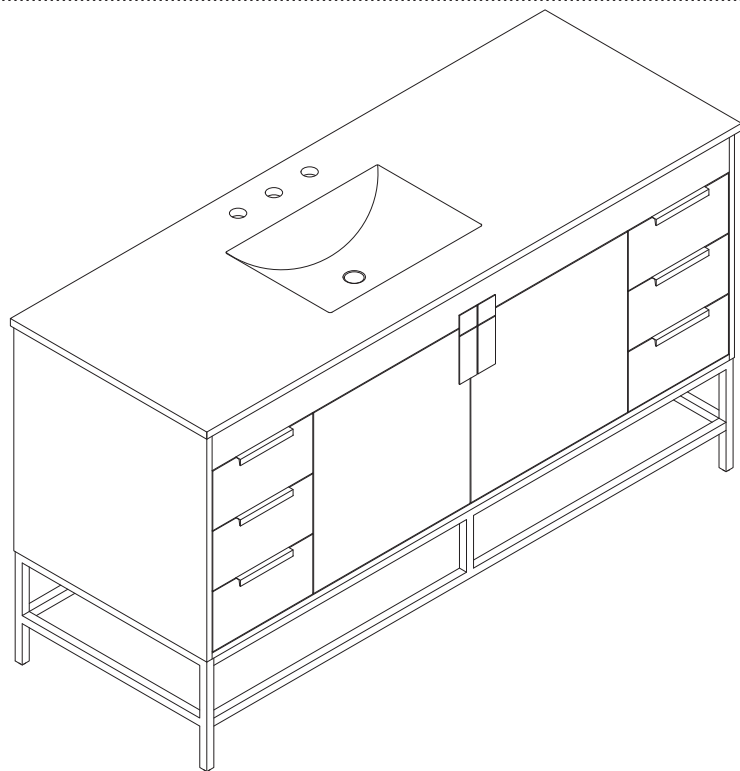


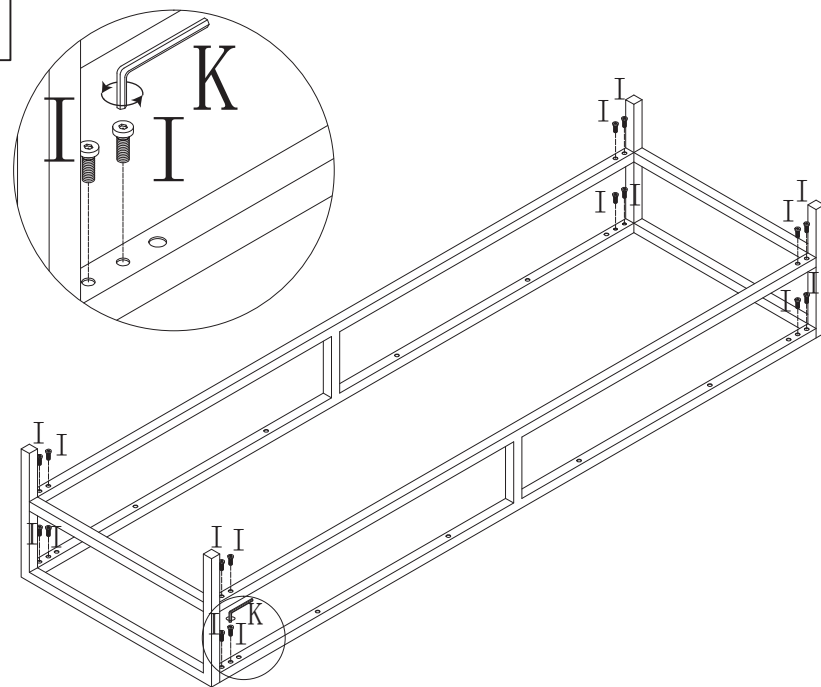


ASSEMBLY INSTRUCTIONS

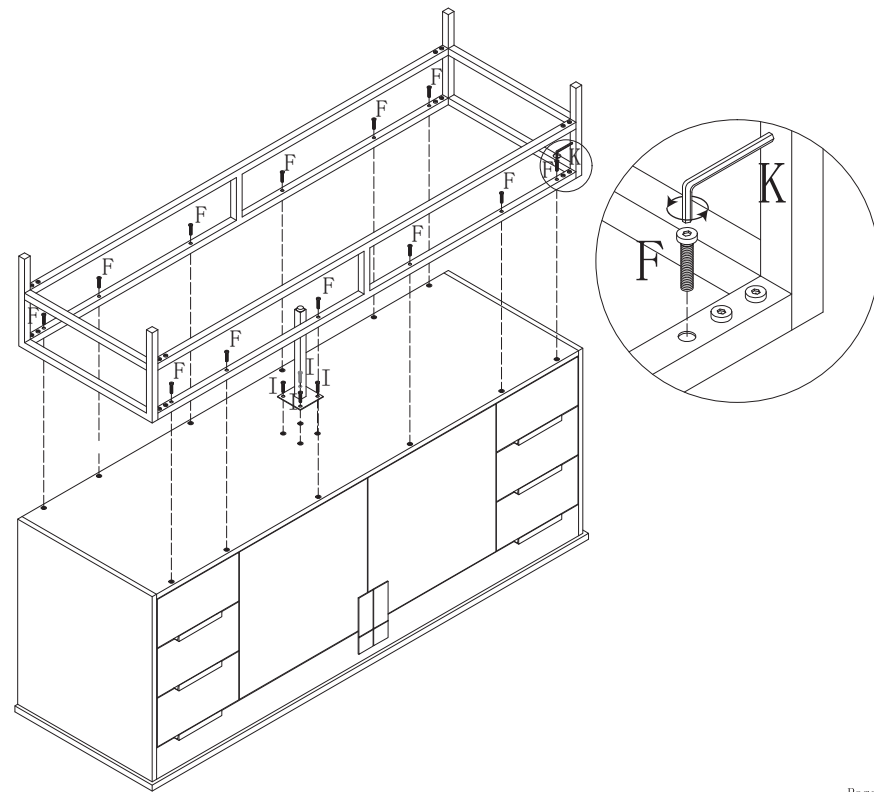
VF48860MBL / VF48860MGN / VF48860MWT
 VF48860MTK / VF48860MW / VF48860MWH
 VF48860NT / VF48860WB



Step 1



Step 2

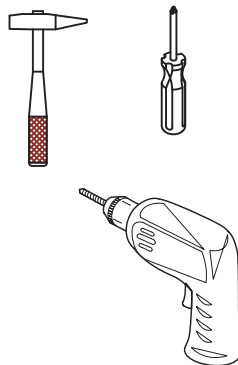


Hardware

NO.	Parts	QTY	NO.	Parts	QTY
A	(M6*1.18")	6	E	(M6*2.36")	3
B		3	F	(M6*1.18")	12
C	(T4*1.38")	6	H	(M8*1.57")	3
D	(T4*0.55")	3	I	(M6*0.47")	20
			K		1

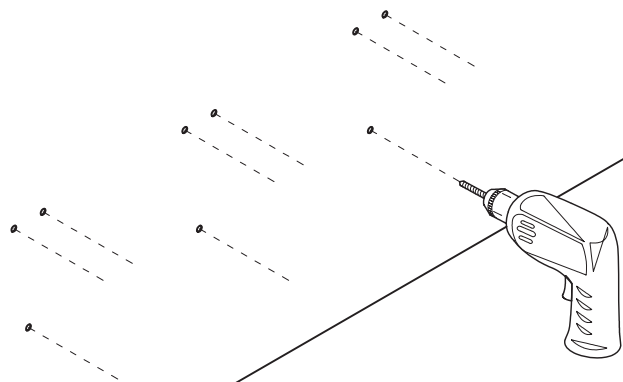
Tools

(required but not provided)



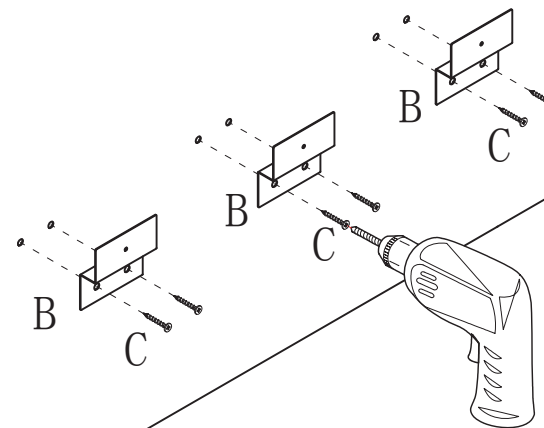
Step 3

Wall



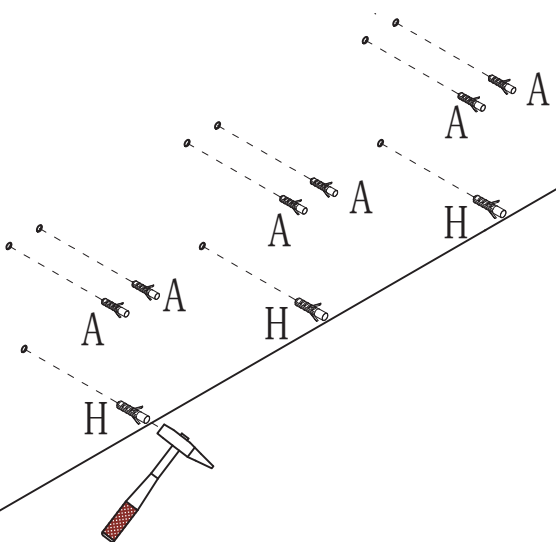
Step 5

Wall

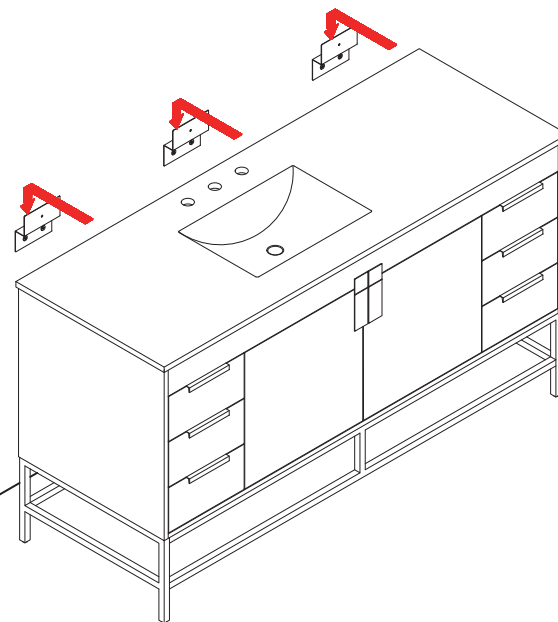
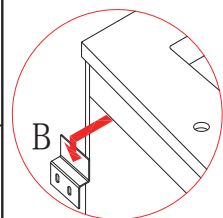


Step 4

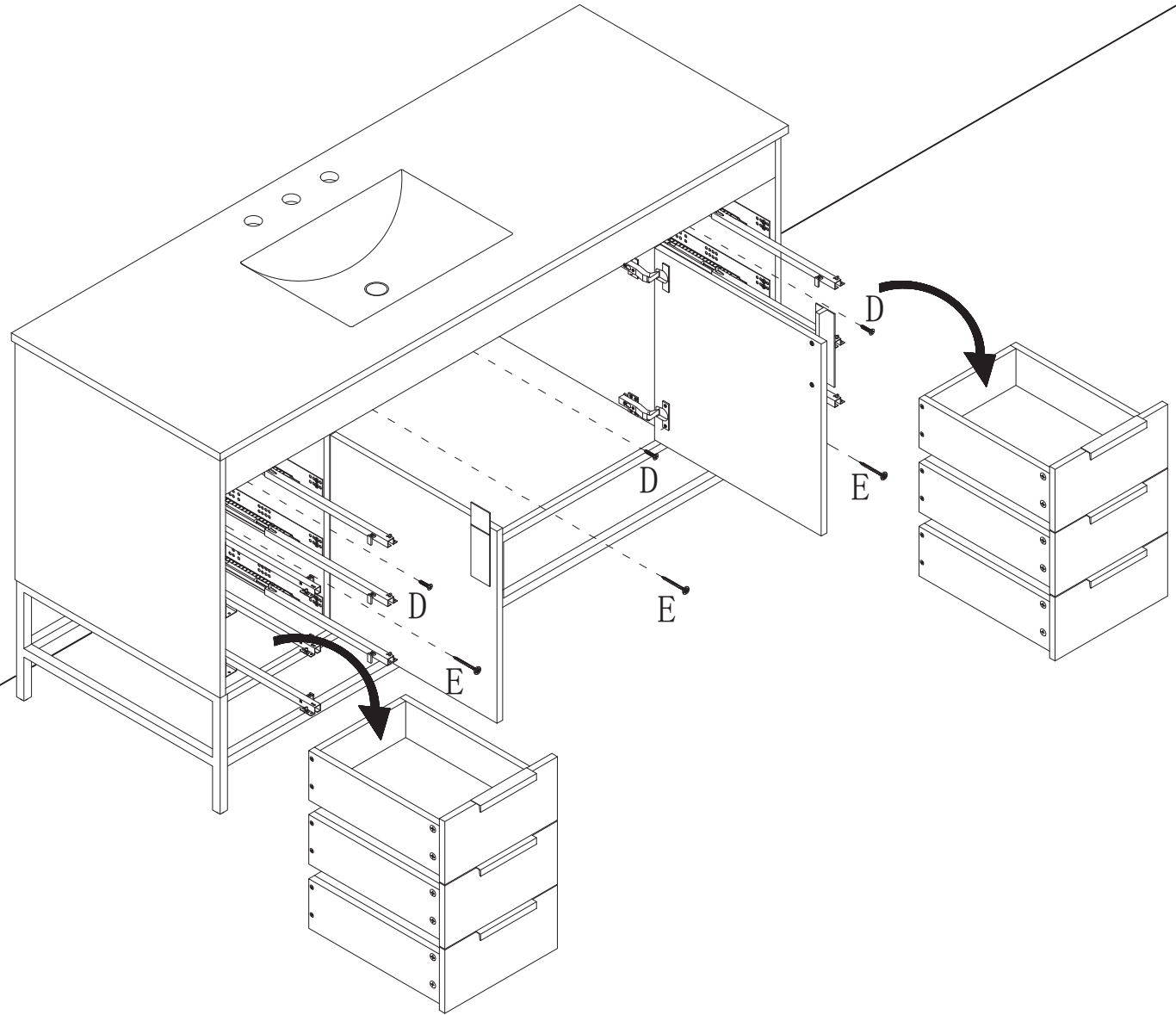
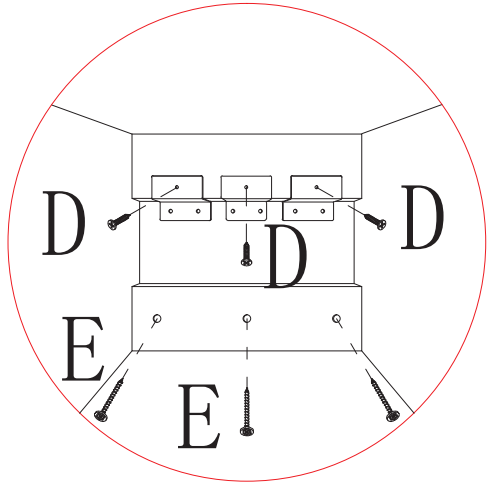
Wall



Step 6



Step 7



Finished

