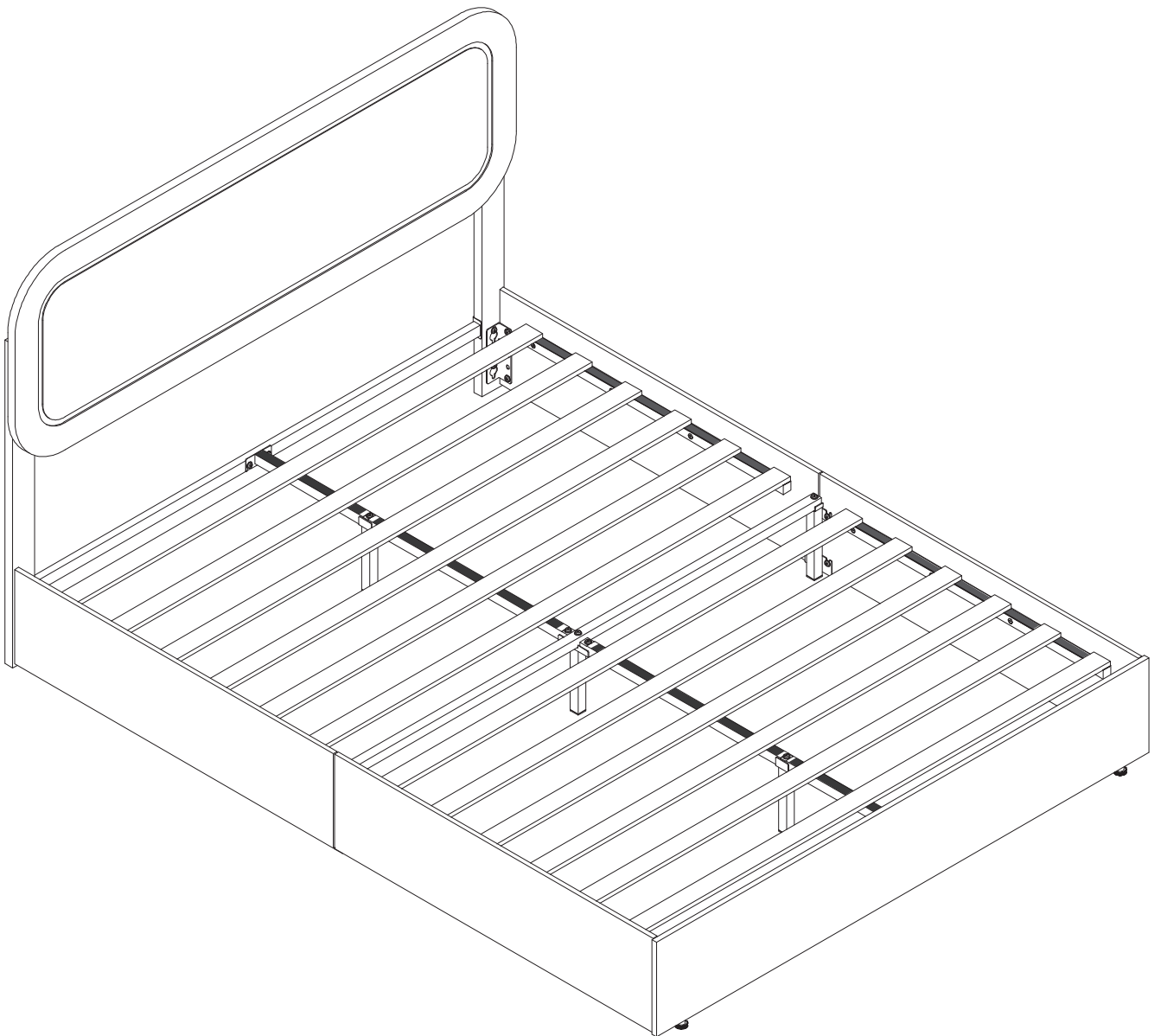


ASSEMBLY INSTRUCTION





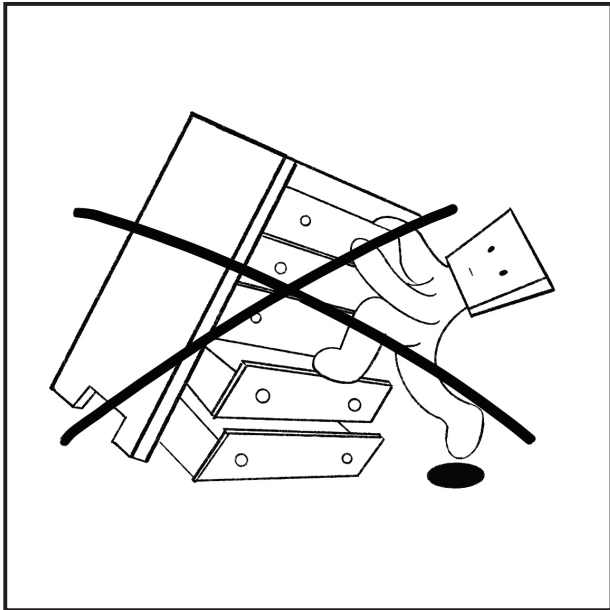
Disclaimer

Use of this product constitutes acceptance of this disclaimer. Please read the following terms carefully:

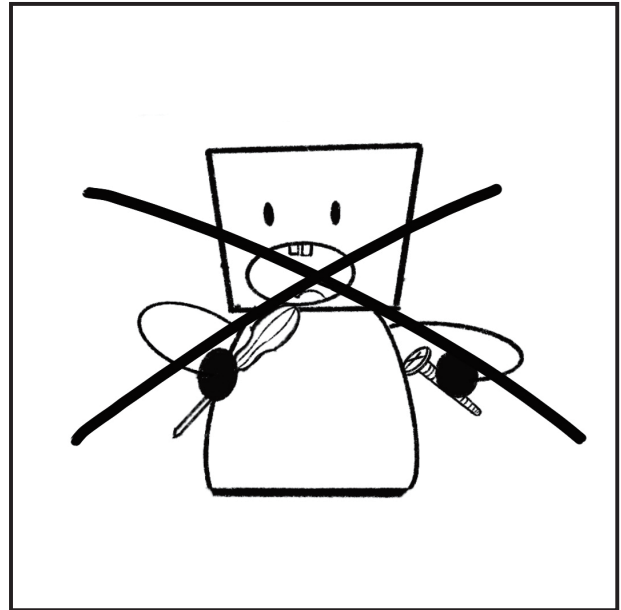
- The product is guaranteed to be safe under normal use or foreseeable misuse.
- This furniture is designed for indoor household use only. Any improper modification, or use beyond the specified weight capacity (see product manual) shall void this disclaimer, and the manufacturer shall not be liable for any damage or injury arising therefrom.
- Regular wear and tear (e.g., fabric fading, minor hardware loosening) due to normal use is not considered a quality defect.
- The manufacturer shall not be responsible for damages caused by improper transportation, storage, or natural disasters (e.g., fire, earthquake).



Children should use this product only with adult supervision.



DO NOT CLIMB OR HANG



DO NOT PLAY WITH OR SWALLOW SMALL PARTS

Weight Capacity:

–Do not place items exceeding the maximum weight capacity of the product. (For the product’s weight capacity, please refer to the product link.)

Usage Scenarios and Maintenance Methods

- Do not place the product in a humid environment.
- Avoid direct exposure to high temperatures and keep it away from heat sources.
- Clean and maintain the product regularly.
- Place it on a flat surface. When moving is required, ensure that at least two people lift it together.
- Check the condition of screws regularly. If any screws are loose or fall off, reinforce them promptly.



Electrical Safety Precautions

- **Do not** use damaged power plugs or loose power sockets.
- **Do not** move the product by pulling the power cord.
- **Do not** forcibly bend the power cord or place it under heavy objects.
- If the power socket is wet, carefully unplug the product's power plug.
- **Do not** touch the power plug with wet hands.
- Unplug the product's power plug before maintenance.
- For electrical products not in use for an extended period, ensure the power supply is disconnected.

Wooden products

Preparation before Installation

–Please read the assembly instructions carefully before installation and keep this manual for future reference. Check that all components are complete, including panels, hardware fittings, screws, plastic parts and other small components.

Ensure that **only adults** perform the installation, and keep children away from the installation area.



Notes

- Avoid prolonged exposure of the furniture to direct sunlight or proximity to heating appliances to prevent local discoloration and fading.
- **Do not** allow easily combustible or oxidizable items to come into direct contact with the furniture surface, as this may cause chemical reactions and damage the furniture finish.
- Climbing or playing on the product is prohibited to avoid accidental injury. **Do not** use the product as a support or stand on it for high-altitude operations.
- **Do not** forcefully open or close the furniture doors and drawers. Use appropriate force during operation to prevent loose connections.
- When moving the furniture, remove all items inside the cabinet and secure movable parts such as doors and drawers to prevent the furniture from tilting or parts from falling and causing injury. Never drag or push hard during movement to avoid loose fasteners or broken parts. The product must be lifted off the ground by multiple people simultaneously; ensure safety during handling.
- When children use this product, adult supervision is required to ensure safe use.
- Strictly use anti-tip components as specified in the instruction manual.

- **Do not** slide hard objects directly on the furniture to avoid scratching the surface; prevent hard objects from colliding with the furniture to protect its surface from hard scratches.
- Avoid prolonged contact of panel edges with water or liquids, as this may cause panels to absorb moisture and swell.
- Avoid prolonged exposure to high temperatures, as it may cause surface bulging on vacuum–formed/laminated components.
- **Do not** use any acidic or corrosive cleaners for surface cleaning.
- Secondary drilling is not recommended, as it may damage the internal structural strength.



Maintenance Methods

(1) **Local cleaning:** In case of stains, immediately pat and gently rub with a clean damp cloth, wiping from the edge to the center to prevent the stain from spreading.

(2) **Deep cleaning:** Perform deep cleaning once every six months or a year. You can use professional cleaning services or special cleaners.

(3) **Use protective covers:** Consider using protective covers for easy cleaning and replacement, which helps extend the product's service life.

(4) **Keep away from heat sources:** Maintain a distance of at least 1 meter from heat sources such as radiators, heaters, and fireplaces, as high temperatures can damage the fibers of the textile.

(5) **Air–dry** in a cool place; avoid direct sunlight to prevent hardening.

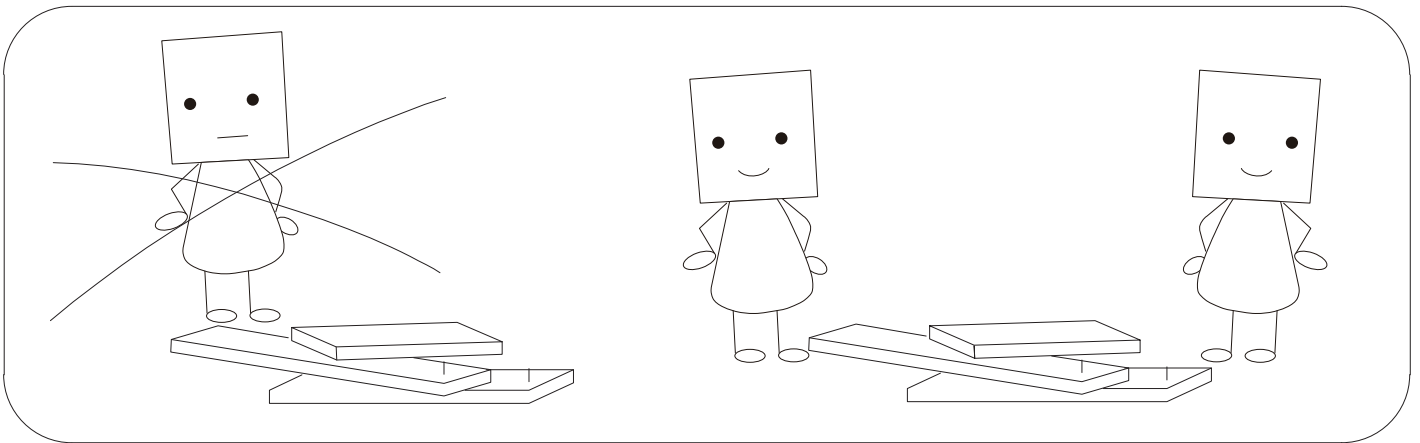
(6) Ensure the product is completely dry before storage, and moisture absorbers can be placed (with it).

(7) **Do not** store under compression for a long time, as this may damage the elasticity of the fibers.

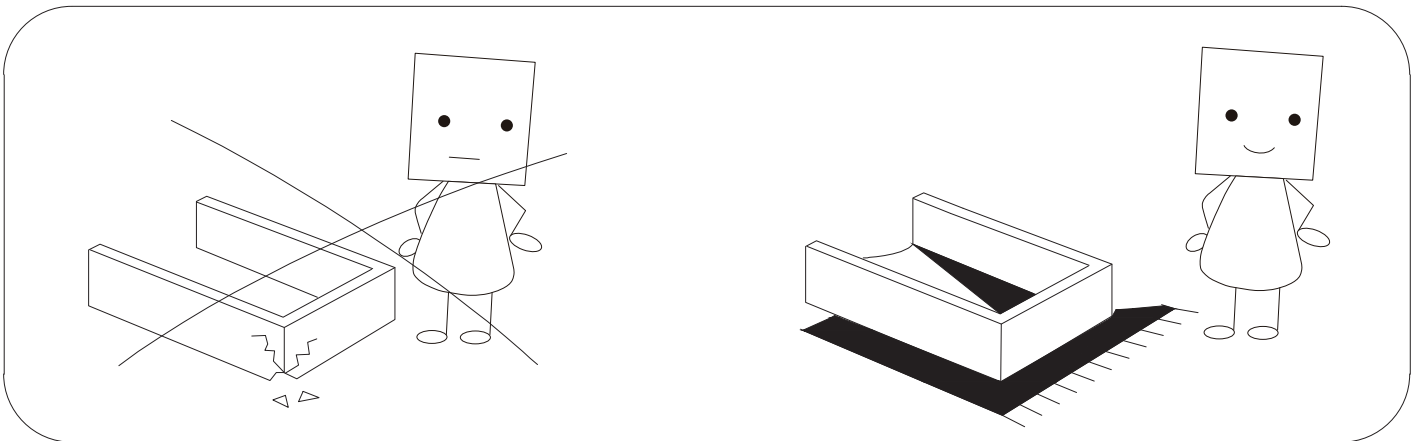


WARNING

Need Two Or More People To Complete

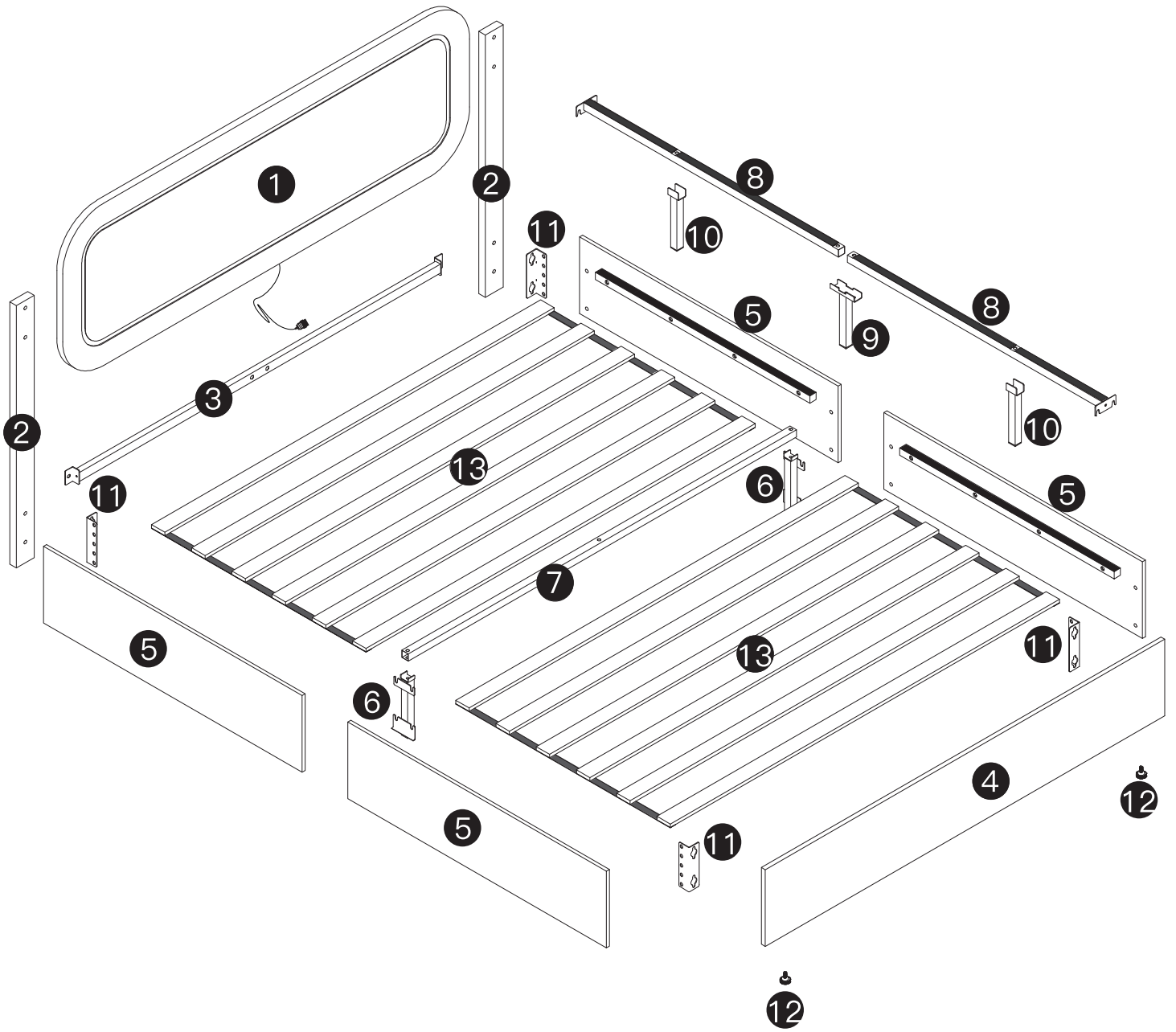


Assemble Item On a Clean Flat Surface



- Please check you have all hardware before assembling.
- Please ensure you have the name of the item and hardware part required and quantity.
- If you have any questions, please contact us by original purchase platform. we will reply you ASAP.

EXPLODED DRAWING:



Please check all parts and accessories according to the parts list before assembling, make sure all contents are sufficient and in good condition.

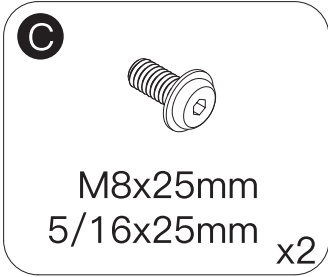
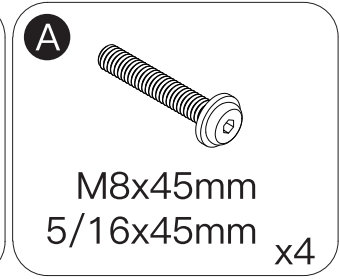
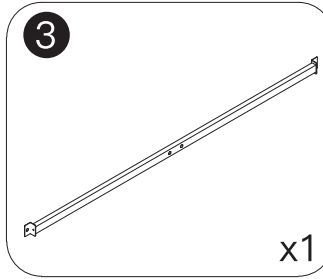
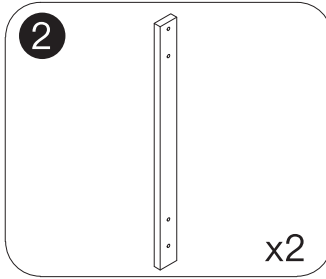
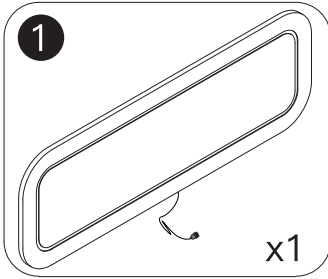
If there is any parts missing or defective, please contact us with purchase platform message immediately to get replacement parts.

PARTS:



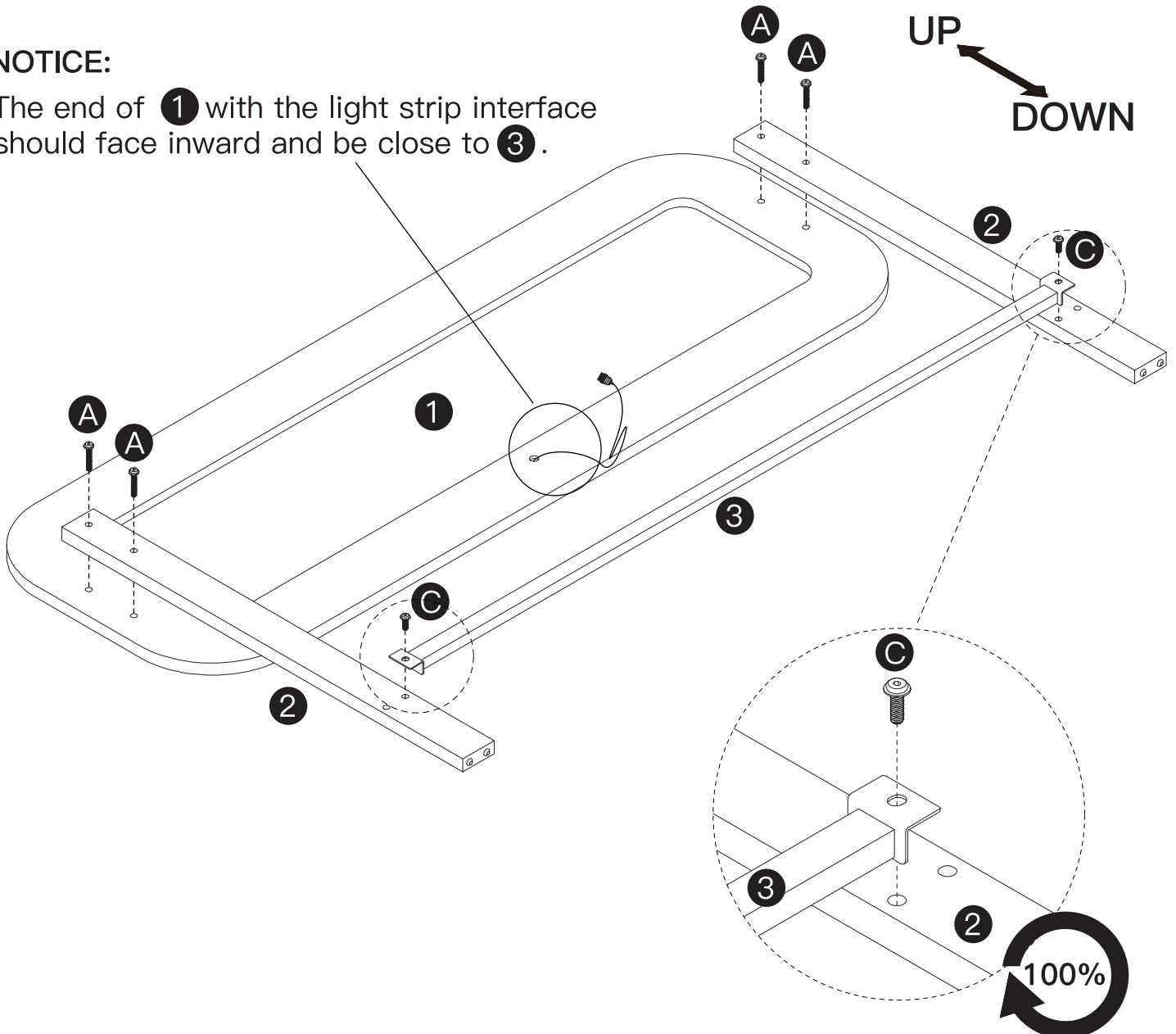
HOW TO INSTALL

STEP 1

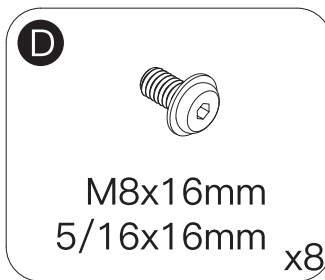
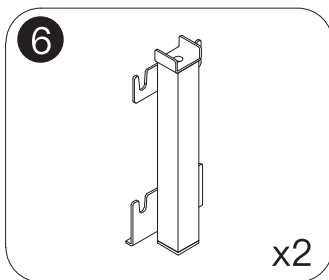
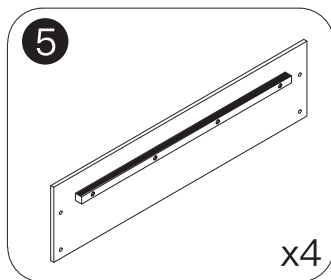


NOTICE:

The end of **1** with the light strip interface should face inward and be close to **3**.

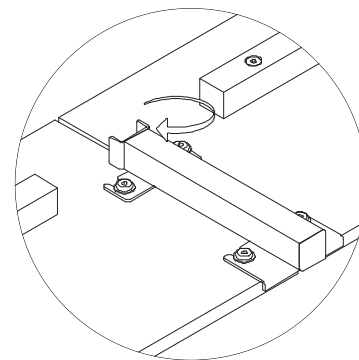
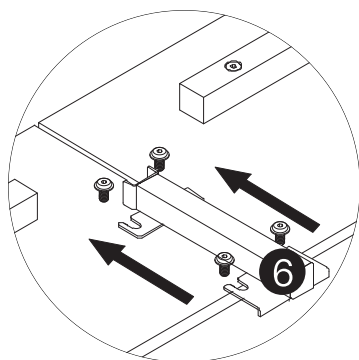
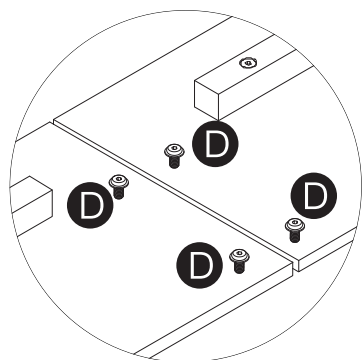
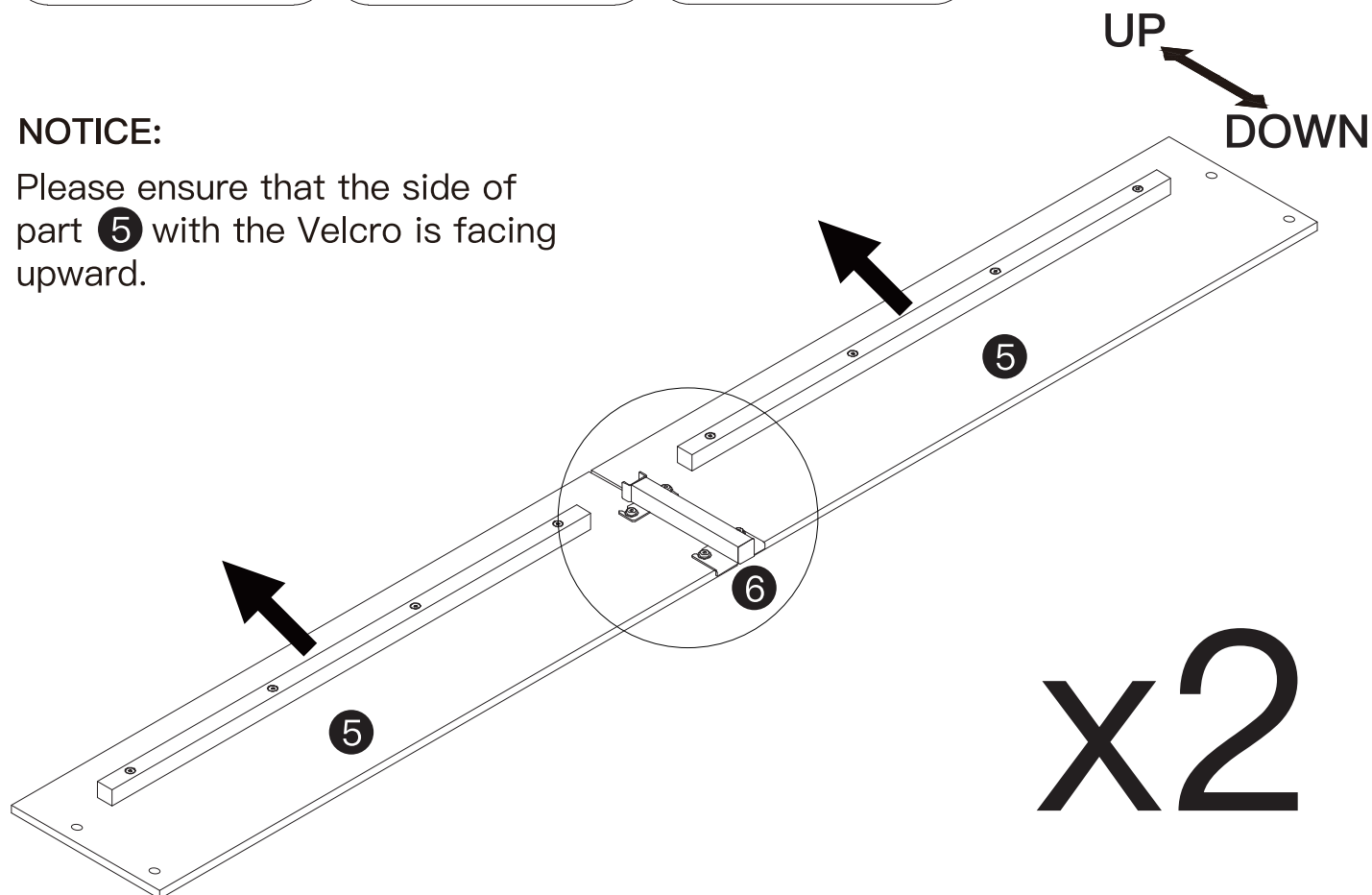


STEP 3



NOTICE:

Please ensure that the side of part 5 with the Velcro is facing upward.

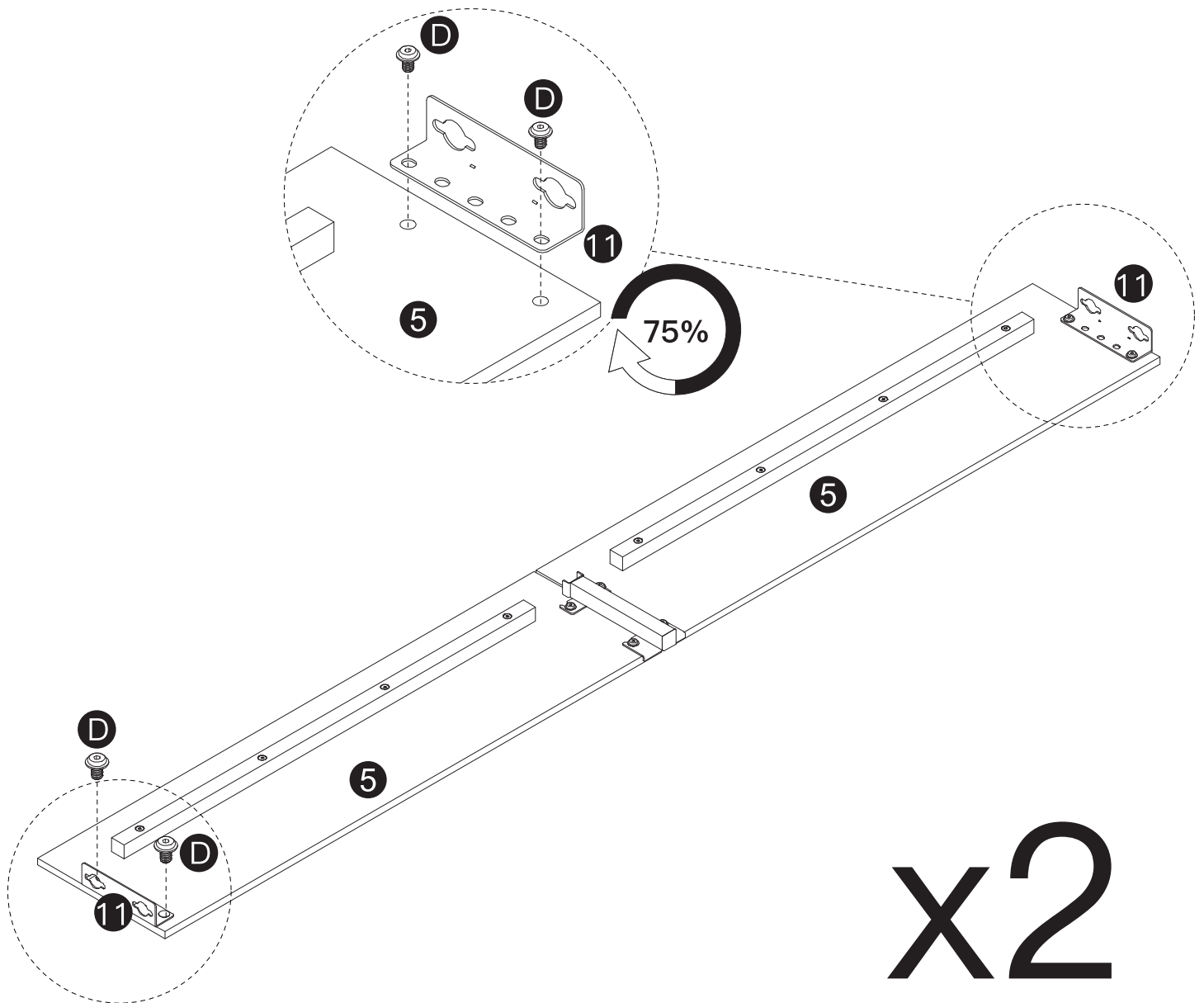
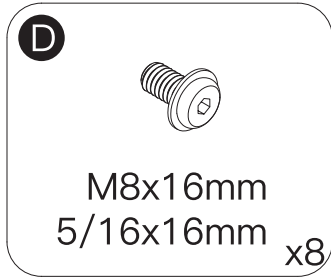
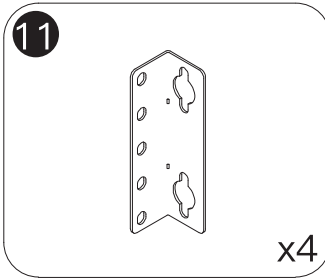


Please screw part D in 1/2 at the marked position to make assembly easier.

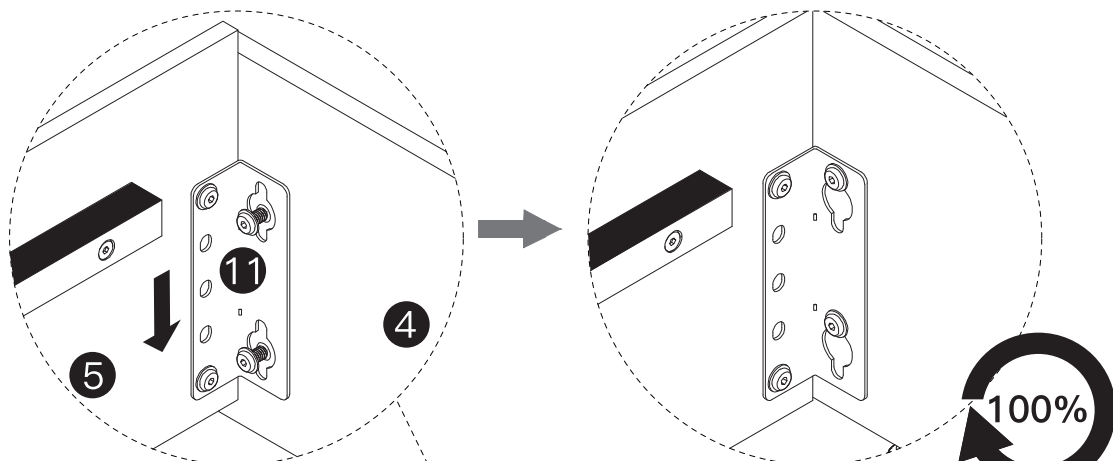
Hang part D onto part 6 .

Tighten part D on part 5 after hooking up.

STEP 4

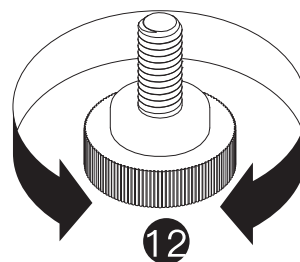
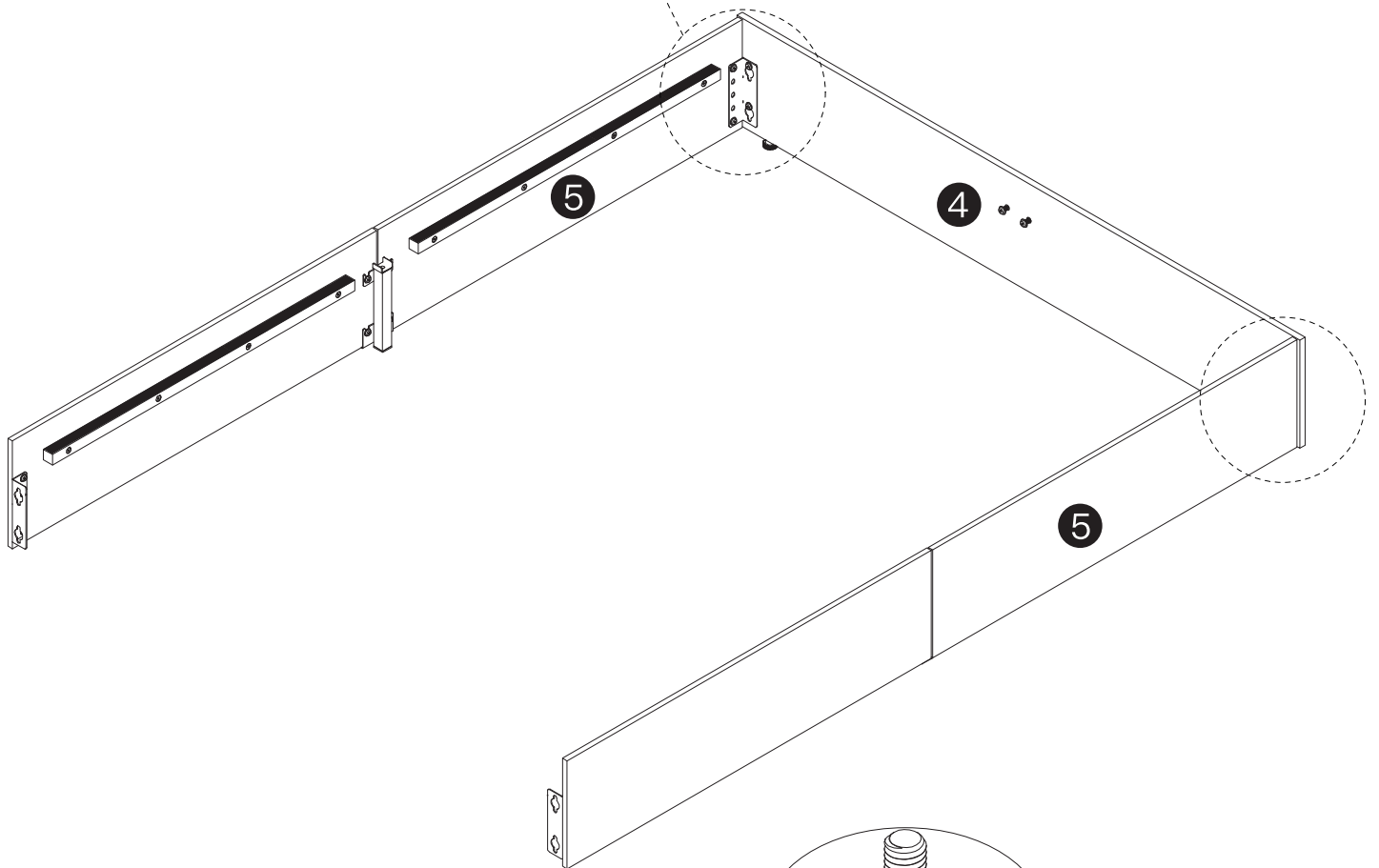


STEP 5



Hang part **D** onto part **11** .

Tighten part **D** on part **4** after hooking up.



NOTICE:

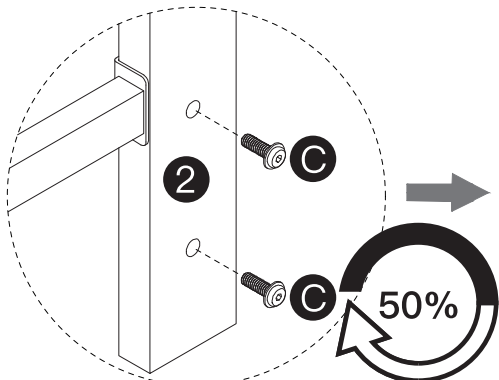
You can try to turn adjustable feet to adjust if the bed is placed on an uneven floor.

STEP 6

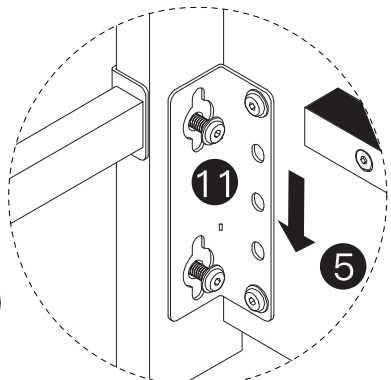
C



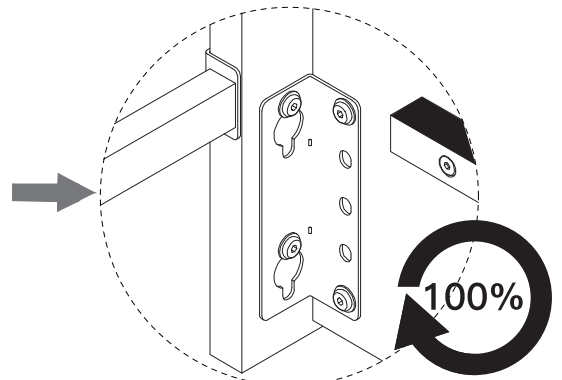
M8x25mm
5/16x25mm x4



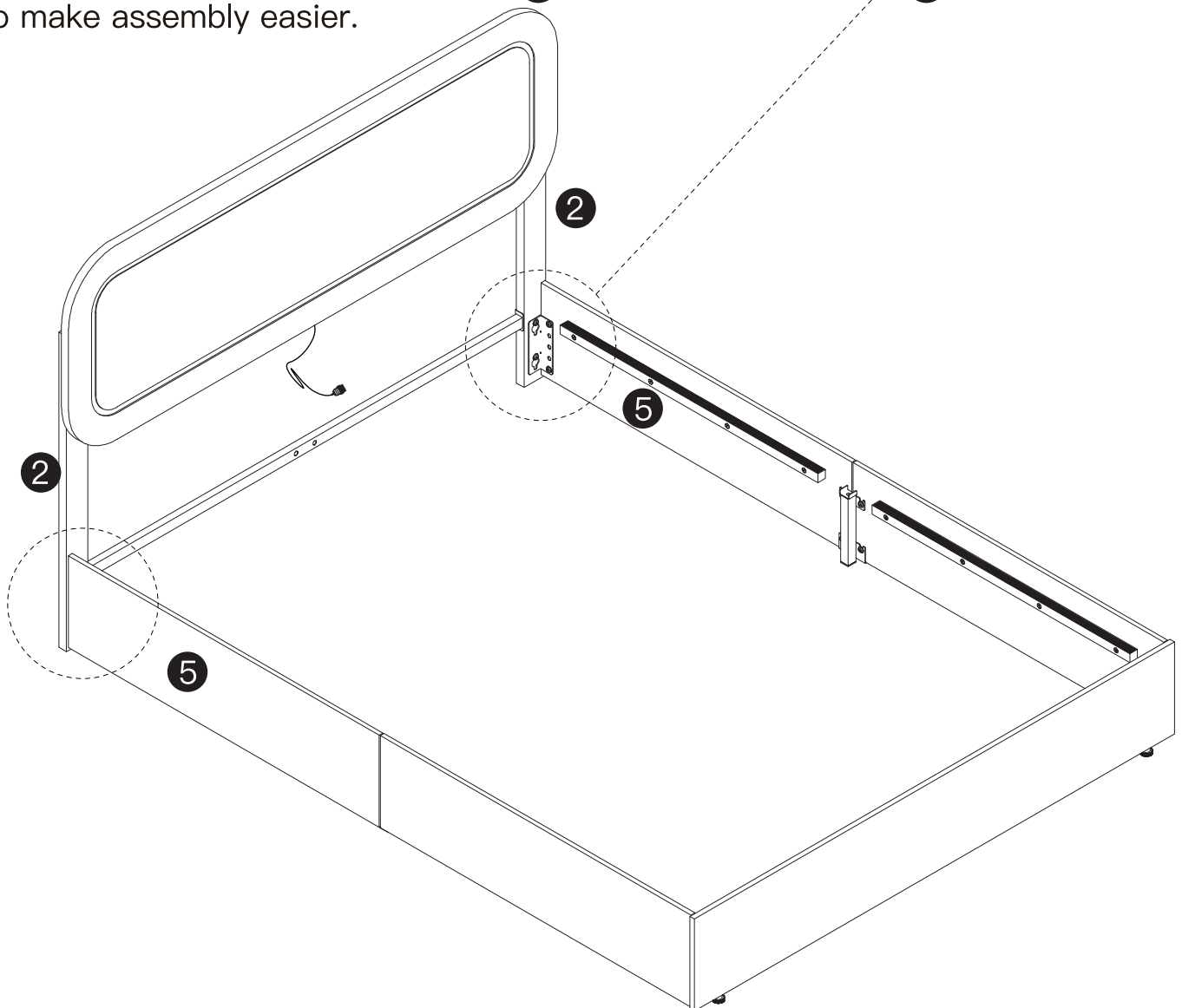
Please screw part **C** in 1/2 at the marked position to make assembly easier.



Hang part **C** onto part **11**.



Tighten part **C** on part **2** after hooking up.

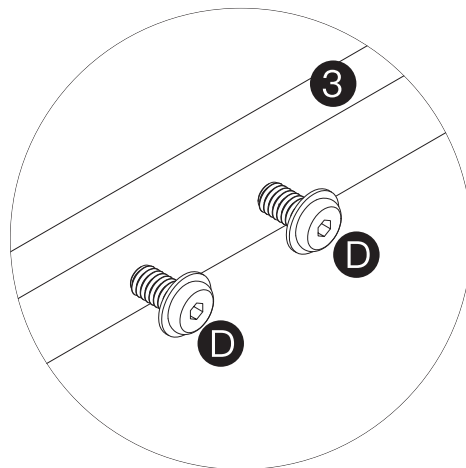


STEP 7

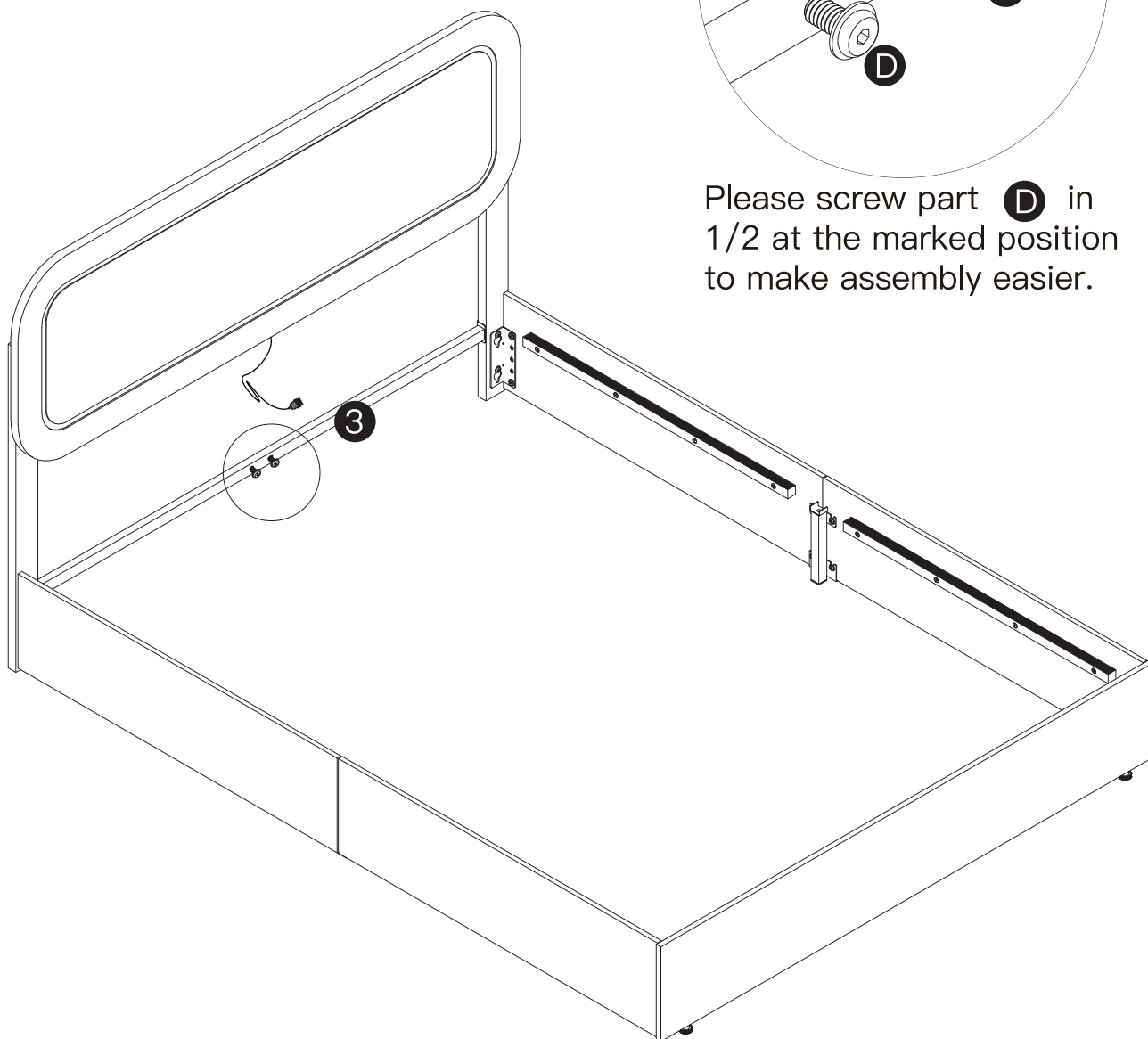
D



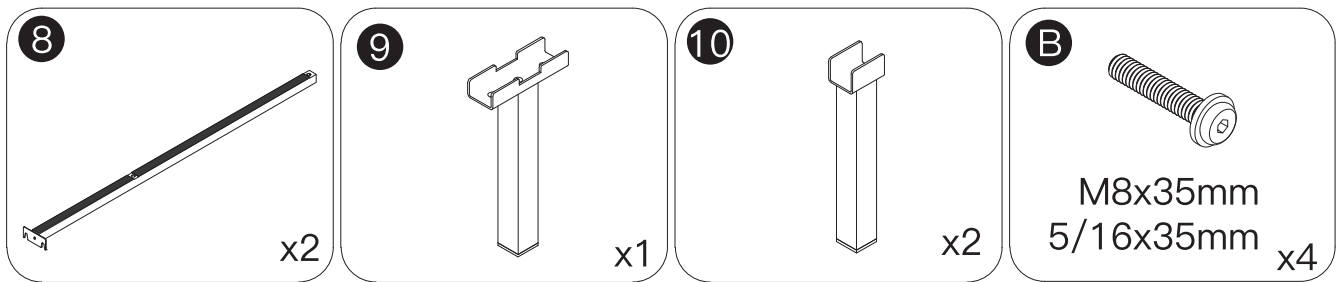
M8x16mm
5/16x16mm x2



Please screw part **D** in
1/2 at the marked position
to make assembly easier.

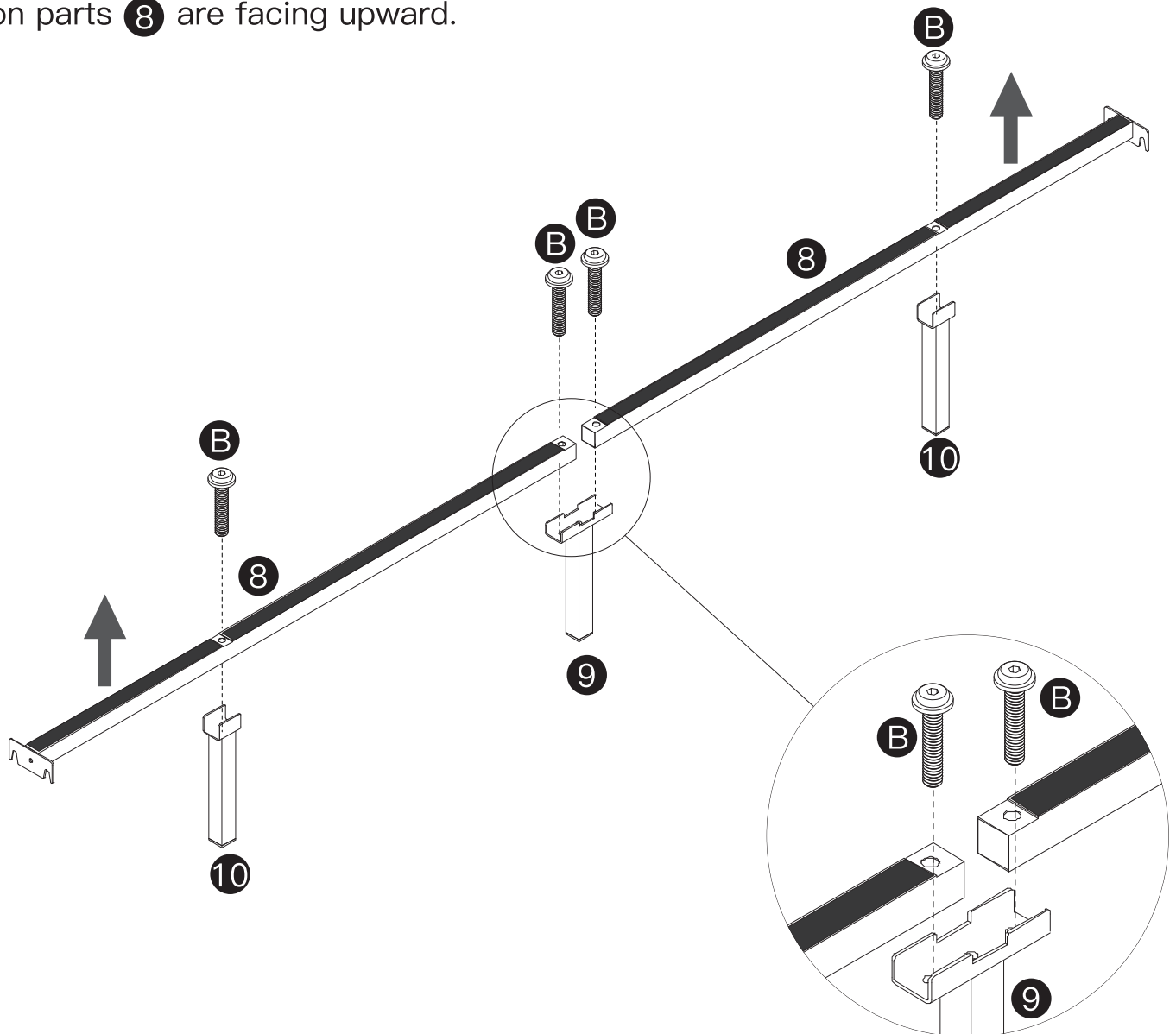


STEP 8

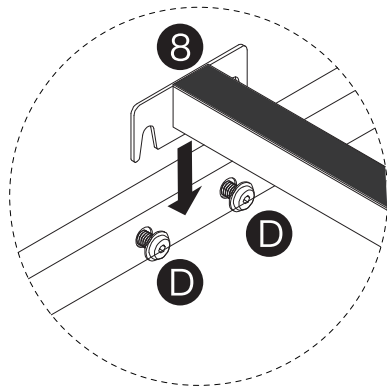


NOTICE:

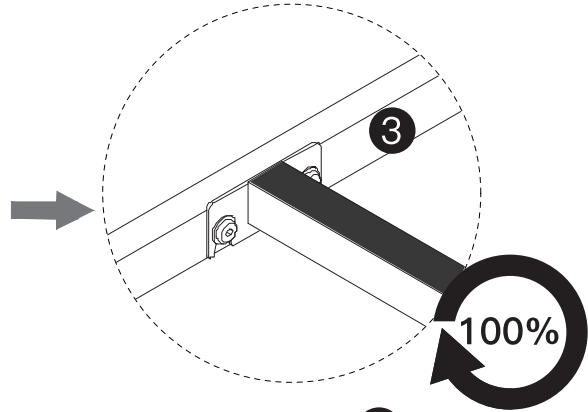
Please make sure the Soundproof pads on parts 8 are facing upward.



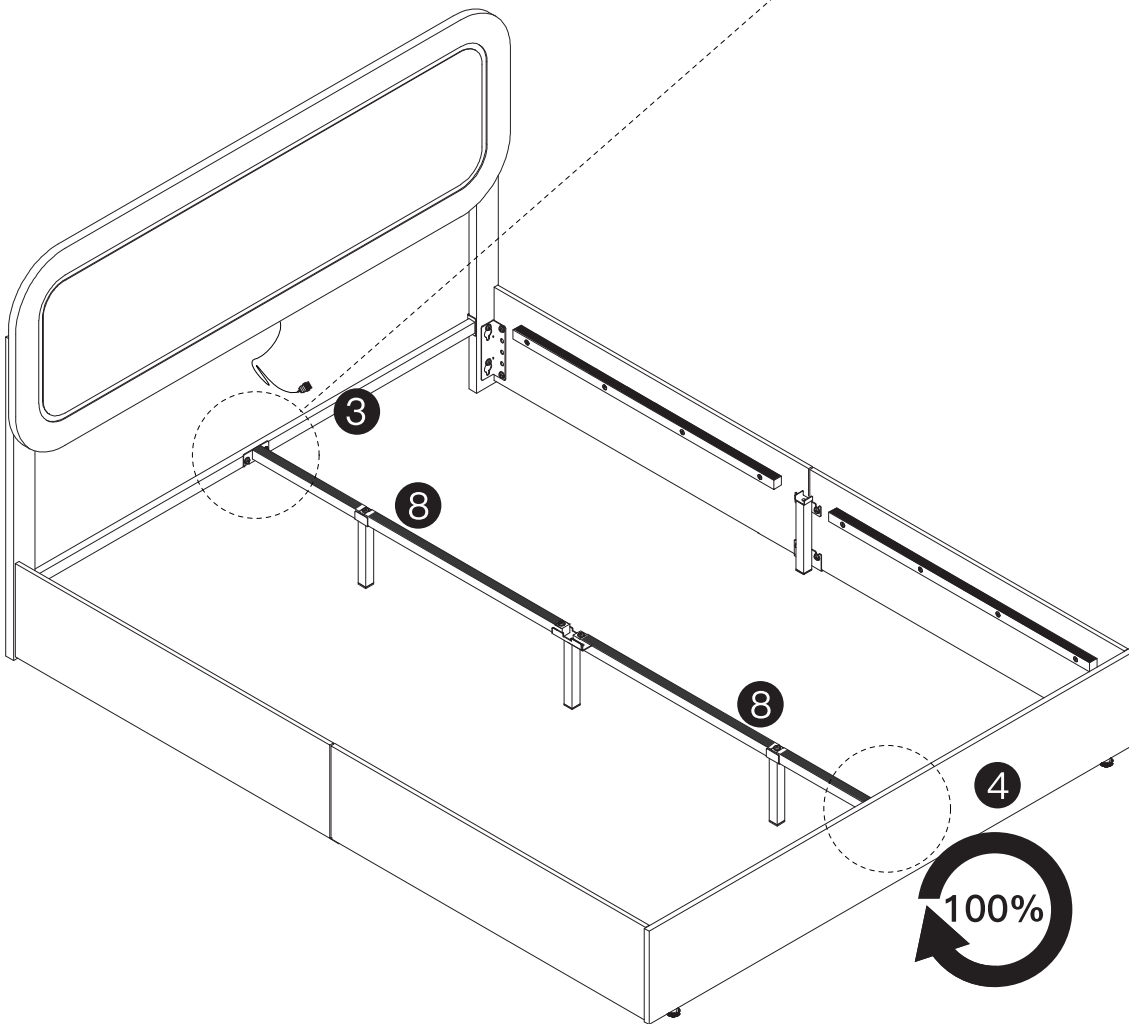
STEP 9



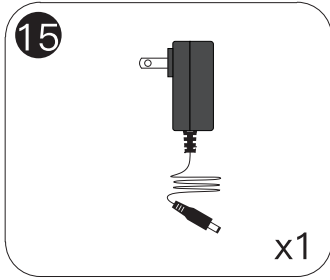
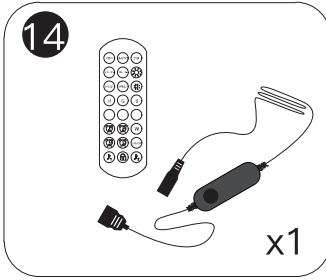
Hang part **D** onto part **8** .



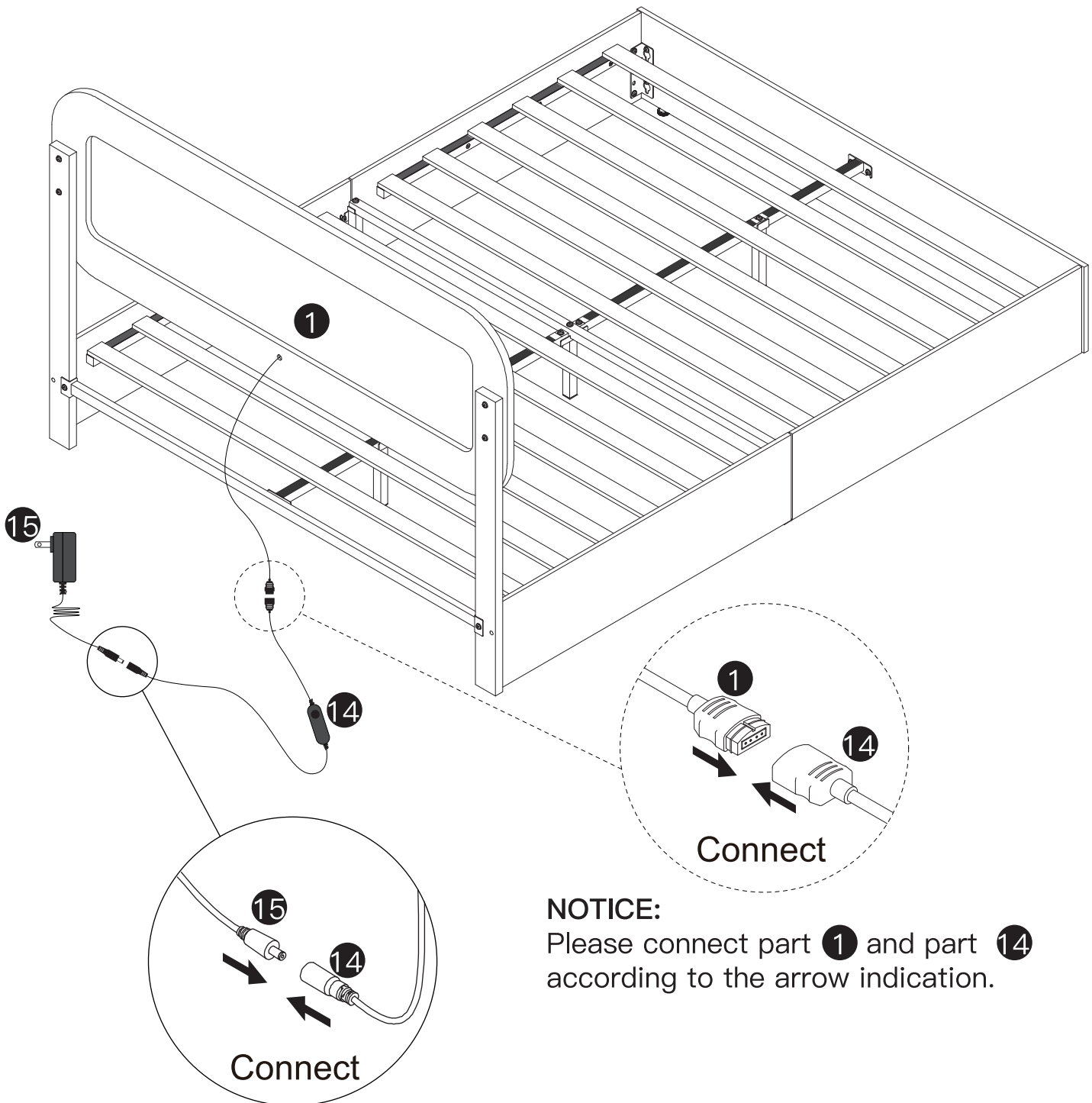
Tighten part **D** on part **3** & **4** after hooking up.



STEP 12



When you use the remote control board to control the color of the light, Please remove the clear plastic card.

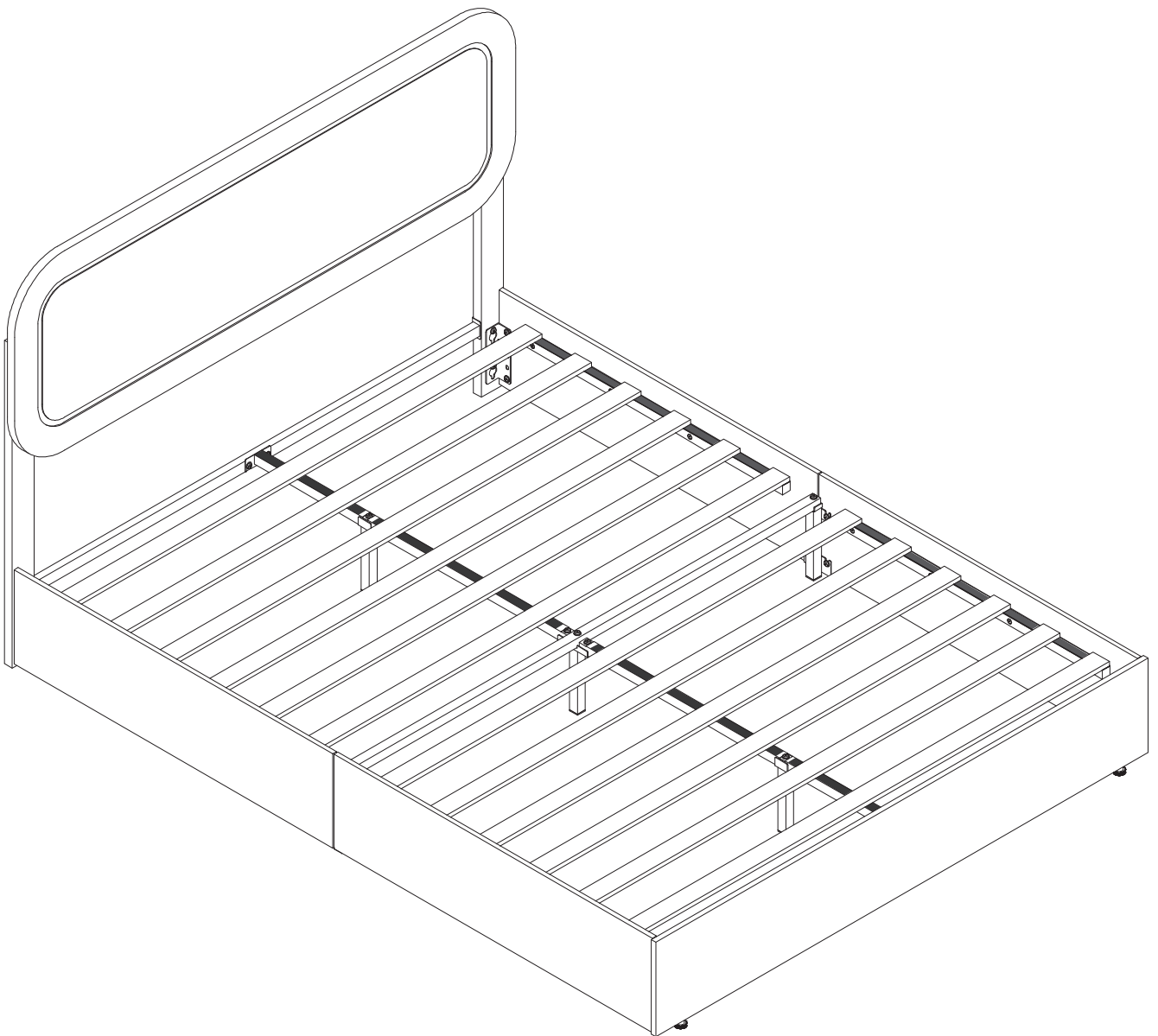


NOTICE:
Please connect part 1 and part 14 according to the arrow indication.

STEP 13

Warm Tips

- (1) Please place the assembled bed against the wall.
- (2) **Do not** jump or play on the bed.
- (3) For your safety, please **do not** crawl under the bed.



Light strip

Preparation before Installation

Before installation, please carefully read the instructions for this type. Check whether the light strip, power adapter, controller (if any), and connecting wires are in good condition, without extrusion, cuts, or exposed wires.

Confirm that the output voltage (V), current (A), or power (W) of the power adapter fully matches the rated input parameters of the light strip. **Strictly prohibit use with overvoltage or overpower!**

Confirm that the type of the controller (RF remote control, WiFi, Bluetooth, DMX, etc.) is consistent with your needs and compatible with the light strip (in terms of voltage and signal protocol).

Instructions for Use

(1) Operate the on/off function, dimming, color adjustment, and mode switching according to the controller's instructions. Avoid prolonged full – power operation in extremely high – temperature environments (such as direct sunlight without heat – dissipation measures) or enclosed, poorly ventilated spaces.

(2) Unless necessary, **Do not** frequently turn the power on and off. Avoid pulling, squeezing, or folding the light strip, as this may cause circuit breaks and render the light source inoperable.



Notes

- **Stay away from all water sources:** Use the light strip away from water sources or humid environments.
- **Strictly prohibit live – line operation:** All installation, cutting, connection, and maintenance must be carried out when the power is off.
- **Power adapter:** Be sure to use the original or high – quality power adapter with strictly matching parameters.

- **Pay attention to temperature:** It is normal for the light strip to feel slightly warm when working. But if it feels scalding hot ($> 50^{\circ}\text{C}$), it indicates poor heat dissipation or overload. You must immediately cut off the power and check (installation environment, power matching, whether there is a local short circuit).
- **Professional installation:** For complex installations (such as long – distance, high – power, special environments) or if you lack electrical knowledge, it is recommended to seek the help of a professional electrician.
- **Child safety:** Keep children away from this component; Prevent children from biting, swallowing, or wrapping it around their bodies.



Maintenance Methods

(1) **Cleaning Method:** Before cleaning, be sure to disconnect the power supply and wait for the light strip to cool down. Use a dry or slightly damp soft cloth to gently wipe dust and stains on the surface of the light strip. The surface of the encapsulated glue is relatively easy to clean. It is strictly forbidden to use corrosive chemical cleaning agents (such as strong acids, strong alkalis, alcohol, gasoline, thinner, etc.), abrasives, steel wire balls and other hard objects for wiping, so as not to damage the surface finish, transparency of the encapsulated glue layer or cause aging and cracking. **Do not** soak the light strip in water for cleaning!

(2) **Inspection and Maintenance:** Regular inspection (recommended quarterly or semi – annually): Check whether the light strip has physical damage (such as cuts, indentations, colloid cracking, degumming). Check whether all connection points (joints, solder joints, power interfaces) are firm, free of rust, and free of water ingress marks. Check whether the waterproof measures (end caps, connector seals, sealant) are in good condition and not aged and ineffective. Check whether the fixing devices (back glue, buckles, cable ties) are loose or fallen off.

After-Sale Support

Dear Customer,

Thank you for choosing to purchase our products! We attach great importance to your shopping experience and hope to ensure that you are satisfied with this purchase.

Should you have any questions, please contact us through the original purchase platform. We will reply your messages as soon as possible, please kindly wait for the response from our team.

Thank you again for your understanding and support! If you have any other questions, please feel free to contact us at any time.

Best Regards,
After sales service team