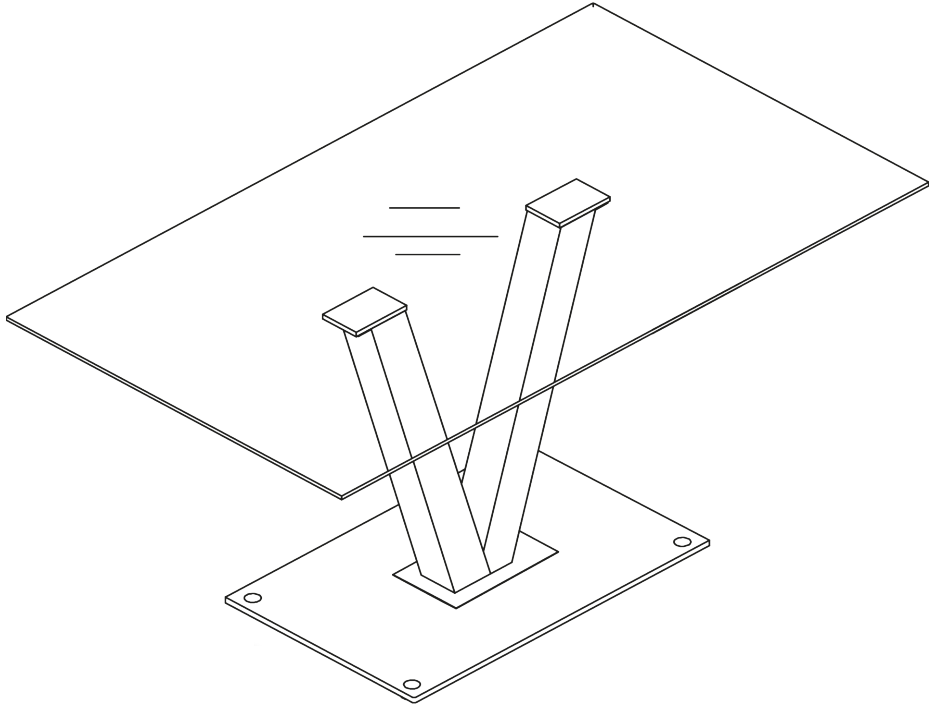


FLORINI TABLE

ASSEMBLY GUIDE



Important - Please read these instructions fully before starting assembly



**SAFETY AND
CARE ADVICE**



NO POWER TOOLS

SAFETY AND CARE ADVICE

- Check you have all the components and tools listed.
- Remove all fittings from the plastic bags and separate them into their groups.
- We do not recommend the use of power drills/drivers for inserting screws, as this could damage the unit. Only use hand screwdrivers and Allen keys.
- Keep children and animals away from the work area, small parts could cause choking if swallowed.
- Make sure you have enough space to layout the parts before starting.
- Assemble the item as close to its final position (in the same room) as possible.
- Do not overtighten the nuts to avoid causing damage to the threads.
- Only clean using a damp cloth and mild detergent, do not use bleach or abrasive cleaners.
- From time to time check that there are no loose screws on this unit
- This product should not be discarded with household waste. Take to your local authority waste disposal centre

IMPORTANT INFORMATION



45 MINUTE
BUILD

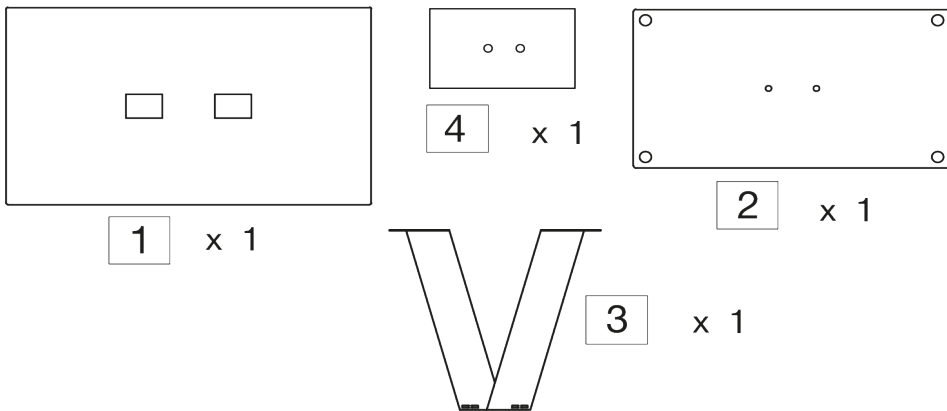










TWO
PERSON



MAXIMUM
CAPACITY 100Kg

PLEASE CHECK CAREFULLY AND MAKE SURE YOU HAVE ALL FITTINGS AND TOOLS LISTED BELOW BEFORE YOU START.



<p>(A)  M10 x 2</p>	<p>(B)  M10 x 4</p>	<p>(C)  M10 x 4</p>
<p>(D)  M10 x 4</p>	<p>(E)  M10 x 2</p>	<p>(F)  M10 x 2</p>
<p>(G)  M8 x 1</p>	<p>(H)  M10 x 4</p>	

NOTE: The quantities above are the correct amount to complete the assembly. In some cases more fittings may be supplied than are required.

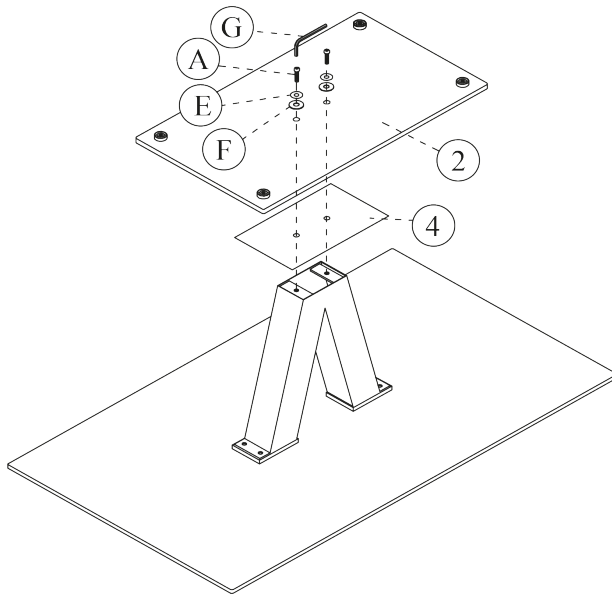
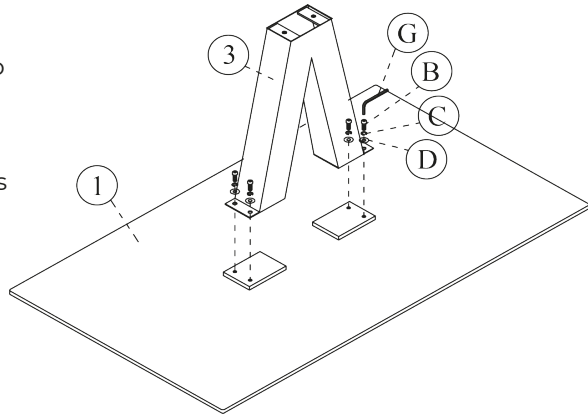
STEP 1

Use a clear, flat, soft surface to avoid bumps or scratches.

Place table top [1] on flat surface, with metal rectangles facing upwards.

Attach table legs [3] to table top using 1 x washer [D], followed by 1 x split washer [C] and then 1 x screw [B] per hole - 4 holes in total.

Tighten with Allen key [G]



STEP 2

Next, attach base to legs.

Place connecting plate [4] between legs and table base [2].

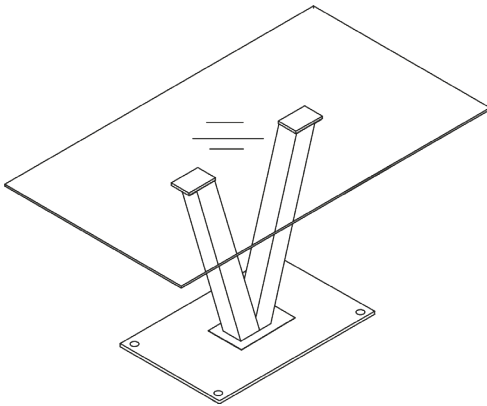
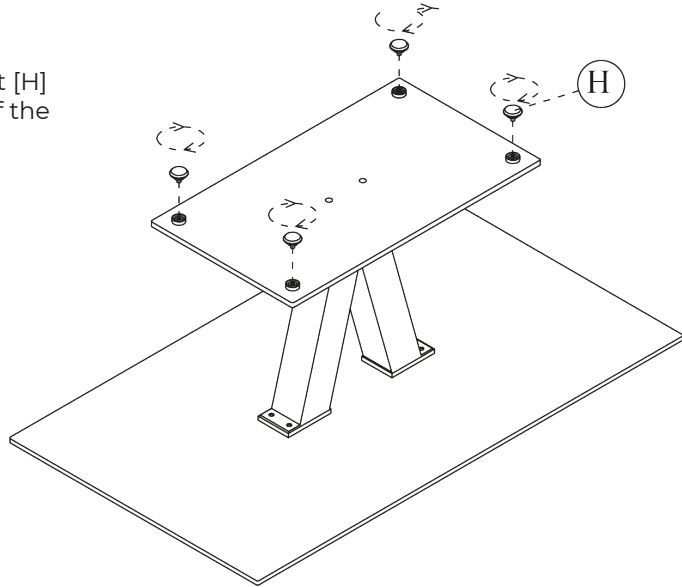
Secure it all together using 1 x washer [F] followed by 1 x washer [E] and then 1 x screw [A] in each hole - 2 holes in total.

Tighten with Allen key [G]

FULL ASSEMBLY INSTRUCTIONS

STEP 3

Screw 1 x table foot [H] into each corner of the table base.



STEP 4

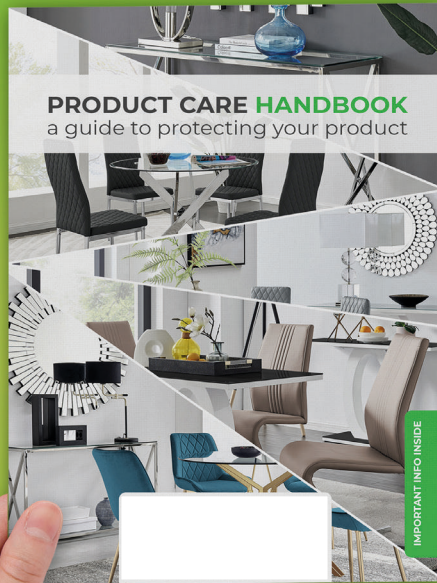
ATTENTION: Carefully, and with help, turn your table over so it rests on its feet. Check for stability. Your table is now ready to use.



WE **L♥VE** INTERIORS! SHARE
YOURS WITH US ON SOCIAL MEDIA

LOOKING GOOD!

Now you've assembled your product find out how to care for your item and keep it looking brand new.





OUR 2 YEAR* GUARANTEE

our products come with a 2 year guarantee to give you peace of mind shopping at

*excludes some garden furniture items which have a 1 year guarantee



WHAT THE GUARANTEE COVERS



PRE-INSERTED FIXINGS
e.g. lose metal threads



FAULTY JOINTS
e.g. legs bending



EXTERNAL FIXING FAULTS
e.g. bonding/glue



STRUCTURAL INTEGRITY
e.g. the frame of the product