

# Cantilever Parasols

## Assembly Instructions



**KINDLY NOTICE** - Please read these instructions carefully before starting assembly

### HASSEL-FREE WARRANTY

We proudly provide 1-YEAR warranty, if there is any questions with the products, please feel free to contact with us.



1 PERSON ASSEMBLY



Around 5 MIN ASSEMBLY

# Contents

Safety Instructions .....	<b>3</b>
Care & Maintenance .....	<b>3</b>
Parts List .....	<b>4</b>
Assembly .....	<b>5</b>
After sale .....	<b>8</b>

# Safety Instructions

Note Please retain these instructions for future reference.

Please fix all screws and knobs before use, Please read and understand this entire manual before attempting to assemble or install the product. Children should not engage in the operation, assembly, removal, or disassembly of the product.

Every 3 months, check all screws and knobs , make sure they are tightened.

During the initial assembly, do not tighten all the screws until fully assembled.

Never leave unattended, fully opened, or use in windy conditions, gusts or storms.

Note that some parts are heavy and have sharp edges, so you should pay attention to your hands being scratched when you take them.

If any parts are broken, damaged, or missing, please do not attempt to assemble this product, please contact our customer service online.

Please do not use the product in the way that not listed on the manual, as this may result in the failure of the warranty.

## Care & Maintain

If the umbrella encounters a humid environment, it needs to be dried in a sunny or naturally ventilated environment

Store in a dry place during the off season.

Keep the umbrella away from fire or heat sources.

Our umbrellas are suitable for home and leisure places such as courtyards, gardens, swimming pools, etc.

## Fabric Care

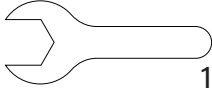
To spot clean, use mild soap with lukewarm water, rinse, and air dry.

Do not clean with bleach or solvents.

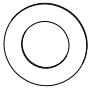

To extend the lifetime of the umbrella, it should be stored indoors or in a dry place when out of use.

# Parts List

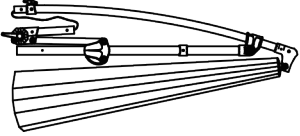
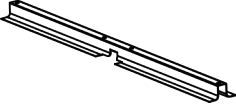
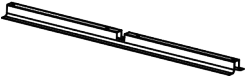
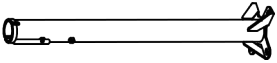

## Tools required

 <p>1pc</p>
H-Wrench

## Accessories required

 <p>4pc</p>	 <p>4 pc</p>
F-Washer	E-M8X16MM

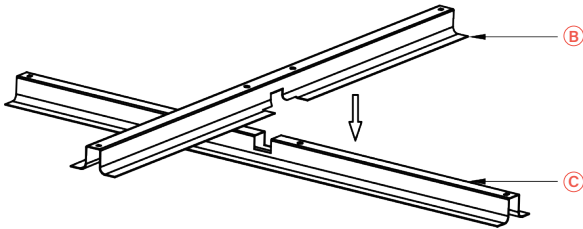
## Parts required

 <p>1pc</p>	 <p>1pc</p>	 <p>1pc</p>
A-umbrella	B-Upper crossbar	C-Lower crossbar
 <p>1pc</p>	 <p>2pc</p>	
D-Foot tube	G-plum blossom knob	

# Assembly

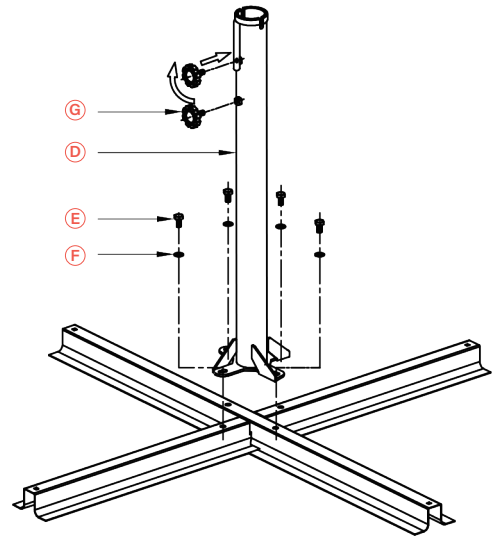
## Step1

Place the part B upper crossbar on the part C lower crossbar.



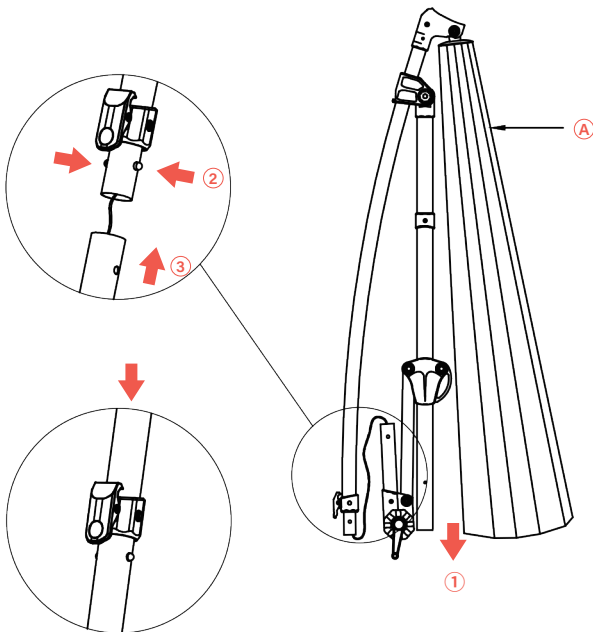
## Step2

Use part E, F screw fittings to fix the connection between part D and part B,C, and fix part G to part D.



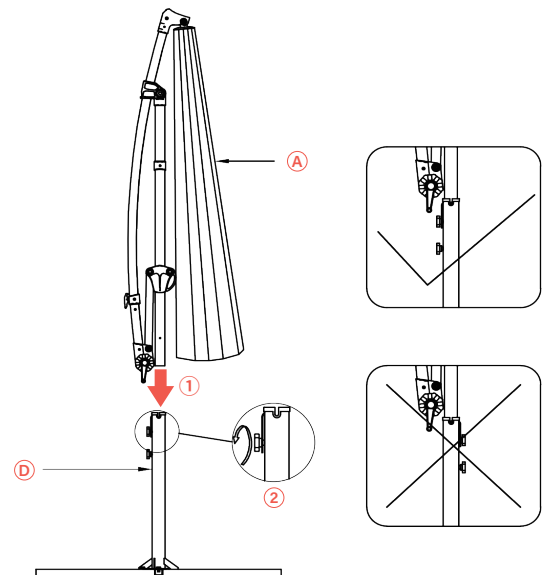
## Step3

Connect the boom of part A



## Step4

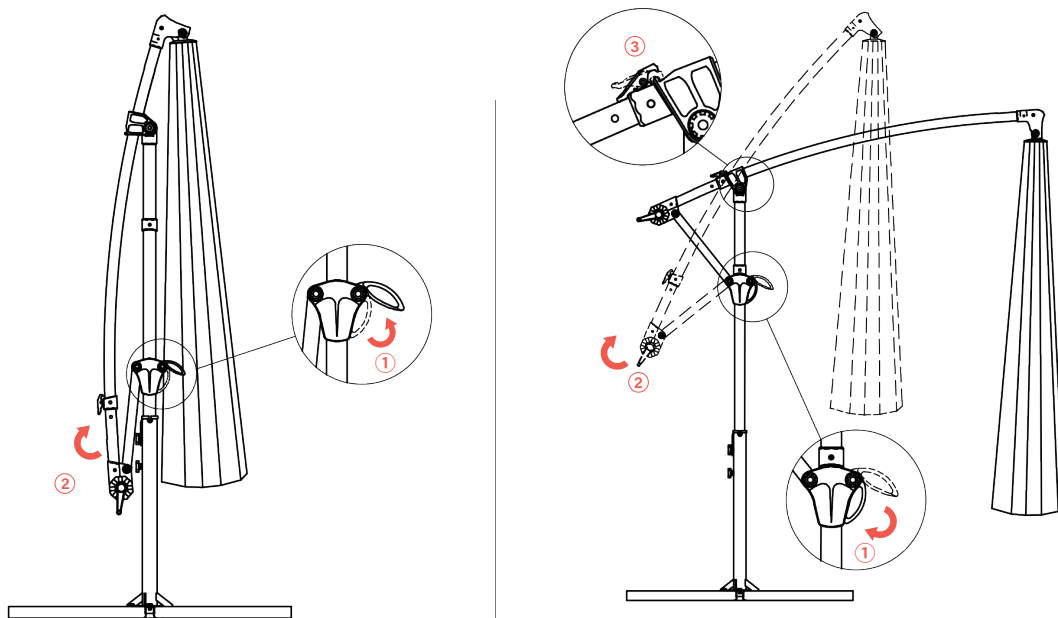
Connect part A to part D, and tighten it with part G. Note that part G needs to be on the same side as the umbrella pole.



# Assembly

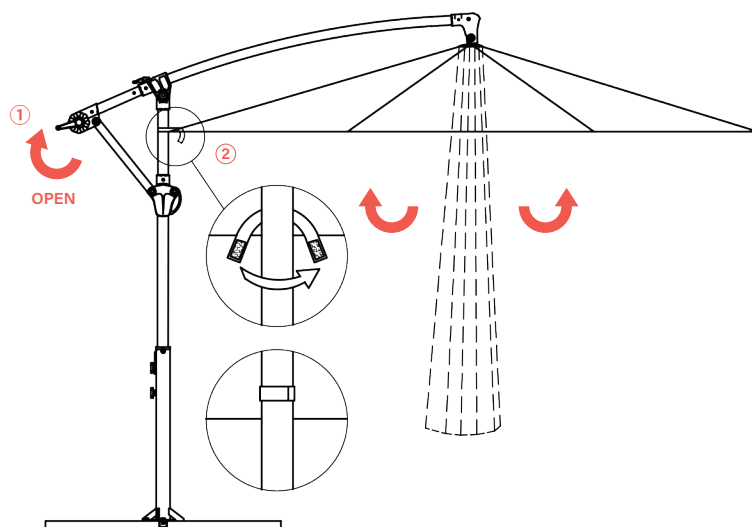
## Step5

Note: Before opening the umbrella, shake Part A to avoid the umbrella bone entangling and breaking after opening. Then open the handle outward and push the umbrella pole upward, close the handle on both sides to secure.



## Step6

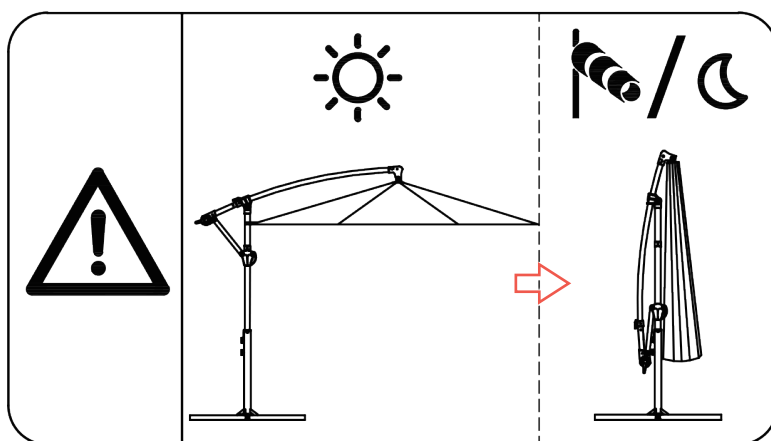
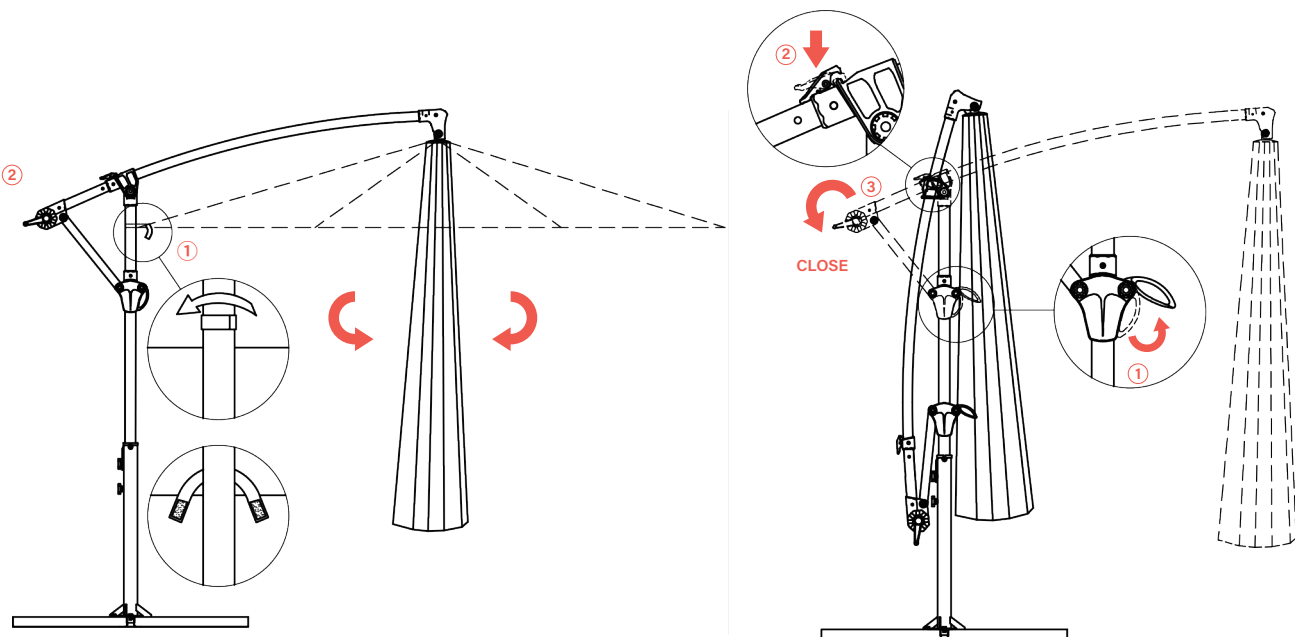
Crank the handle clockwise until the umbrella is fully extended. Secure the pole to the umbrella with a binding.



# Assembly

## Step 7

Before closing the umbrella, unfasten the strap and turn the handle counterclockwise to close the umbrella, open the handle and pull it back.



Please note that this item is only suitable for use on sunny days, please put away the umbrella when it is windy or at night.



# WARRANTY

Outdoor umbrella  
1-year Warranty Program

For a period of one (1) years after date of purchase, the Manufacturer will either repair or replace defective components in accordance with this Limited Warranty. This warranty is between the Manufacturer and the original purchaser and is valid only when accompanied by the original purchaser's sales receipt showing original date of purchase.

The manufacturer or its authorized dealer can accept or reject warranty claims based on its findings. This warranty applies in normal residential use only and is not intended for commercial use. The Manufacturer can make substitutions as required of materials, components, and sub-components of comparable value and utility. This warranty is limited to product repair or replacement (to be determined solely by the Manufacturer). Warranty return is limited to only the single affected component.

This limited warranty covers only manufacturing defects and does not cover normal wear and tear, damage due to acts of nature (such as, but not limited to freezing or high winds), abuse or misuse, including chemical damage from suntan oil or other chemicals, exposure to extreme heat or cold, abrasion or excessive weight. This product is intended to be used in standard installations only. This warranty is void if the product is not used for its intended purpose. The Manufacturer disclaims liability for any aspect of installation and any inconvenience caused by a defective part of a component.

## **Certain items are not covered by this warranty. These include, but are not limited to the following:**

1. Components subjected to abuse, including abuse intended to simulate failure.
2. Damages caused by retailer, shipper or installation error. (such as scratches, dents, tears, chips, etc.)
3. Any part that only shows normal wear and tear on the surface, including debris, scratches, or material stretching and stitching.
4. Tears, punctures, scratches or any damage caused by improper installation or use.
5. Damage to frames/welds resulting from improper assembly or exposure to water and/or sub-freezing temperatures is not covered.
6. The fading caused by other external forces on the umbrella cloth surface is not included.

***\* If you need after-sales service, please provide the original purchase record and a brief description of the problem. Please also provide your email address or mobile number.***